

# access

LIGHTING

## INSTALLATION INSTRUCTIONS

### IMPORTANT

Before assembling your access lighting fixture, please make sure that you carefully read through these instruction sheets. Consider having your fixture installed by a qualified licensed electrician.

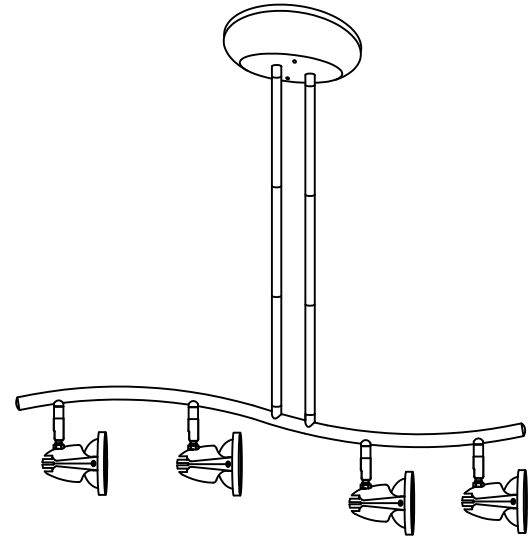
**NOTE:** The important safeguards and instructions that appear in this manual are not meant to cover all possible conditions and situations that may occur. It must be understood that common sense, caution and care, are factors that can't be built into any product. These factors must be supplied by the person(s) caring for and operating the fixture.

### GENERAL INFORMATION

All electrical connections must be in accordance with all ordinances, Local and National Electrical Codes. These fixtures are intended for mounting to a standard 4" x 2 1/2" metal octagon outlet box. The box must be directly supported by the building structure and U.L. Recognized.

### STEP BY STEP INSTRUCTIONS

Before starting your installation disconnect the Power by turning off the Circuit Breaker or by removing the fuse at the fuse box. Just turning the light off at the light switch is not sufficient to prevent electrical shock.



**COLLECTION**  
Cobra

**APPLICATION**  
Ceiling or Pendant

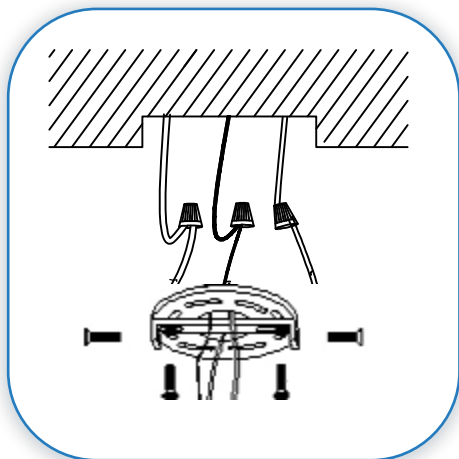
**MODEL NO.**  
52206

### WHAT WE PROVIDE

- Crossbar
- Mounting Hardware
- Canopy with track
- 2 x 6" +16" +22" rods
- 4 x socket rings

### WHAT YOU NEED

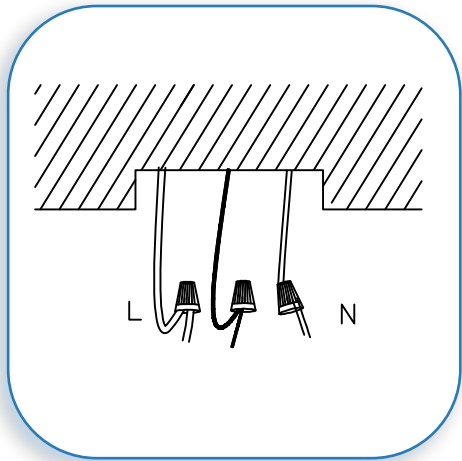
- Screwdriver
- Wire Cutters
- Wiring Supplies as Specified by Electrical Code
- 4 x 50W GU10 Bulb



### PREPARE FIXTURE

1

- If there is an existing fixture remove it.
- Expose the supply wire from the outlet box .
- Secure the crossbar to the J-box with the supplied screws.
- Ensure that the additional screws face downward.

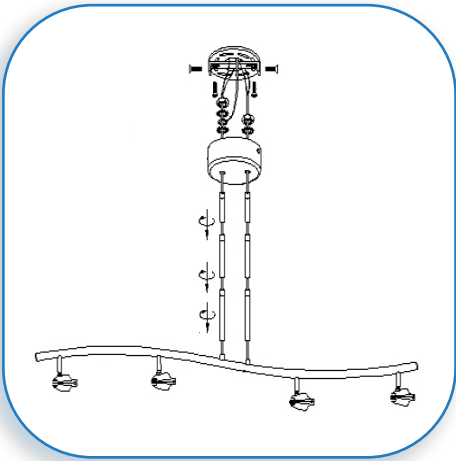


2

### CONNECT THE WIRES

Connect the black supply wire to the black fixture wire. Secure with the supplied wire nuts. Connect the white supply wires to the white fixture wire. Secure with the supplied wire nuts. Either wrap the green wire around one of the protruding screws or connect it to the supply ground wire. Secure all wires with U.L. Certified electrical tape (not supplied).

Tuck all wires carefully into the J-Box.

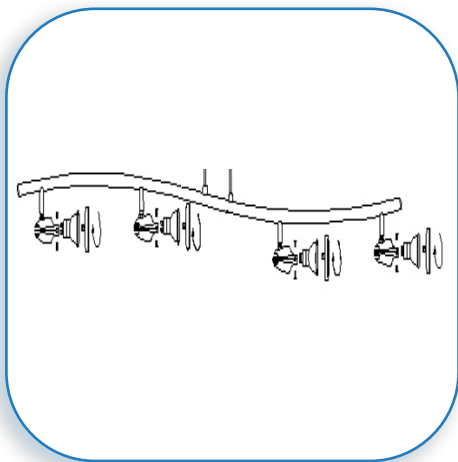


3

### MOUNT THE CANOPY

Fit the fixture canopy up to the crossbar. Insert the hanging screws into the designated holes in the canopy. Secure with the supplied screws.

Be a pendant fixture, extend it by the supplied rods.



4

### INSERT THE BULBS

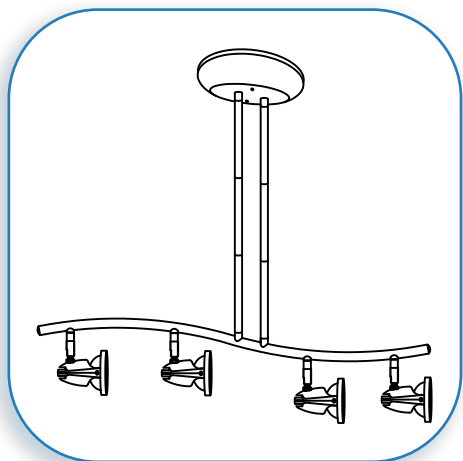
Insert the bulbs .

MAXIMUM WATTAGE 50W.

DO NOT EXCEED THE RECOMMENDED WATTAGE AS STATED ON THE WARNING LABEL AND INSTRUCTION SHEETS.

### SECURE THE SOCKET RING

Place the socket ring over the bulb and secured with supplied screws.



5

**RESTORE THE ELECTRICITY AND  
CHECK THE OPERATION OF YOUR  
NEW ACCESS FIXTURE**

**CAUTION**

Please ensure that the fitting is cool and switched off before replacing the bulb. DO NOT use bulbs that might exceed the maximum wattage, stated on caution label.