

# CUSTOMFIT



## by amy herzog

### SAMPLE YAWL PATTERN

#### Pattern Information

- For amy, to fit [Alaria](#)
- **Finished Bust/Chest:** 31½"/80 cm
- **Materials:** Harrisville Designs Highland 271g, 3 hanks, approximately 542 yd/496 m
- **Gauge:** 18 sts & 27 rows = 4" / 17.75 sts & 26.5 rows = 10cm in [Harrisville Highland](#) pattern stitch.
- **Needles:** Addi Rocket US 7.
- **Notions:** Stitch markers, stitch holder, darning needle, 1 button, sewing thread, sewing needle.

#### Design Info

##### Design choices

- Yawl
- Hourglass average fit
- Length: Low-hip length
- Sleeves: Three-quarter length sleeve

#### Design Notes

This elegant, versatile cardigan features deep garter cuffs and trim, 3/4 sleeves, a narrow deep V neck and a single fabulous button.

Amy is shown here wearing an average fit.

## Stitches

### Garter Stitch:

When worked flat, knit all rows. When worked in the round, knit one round, then purl one round. (Note: Garter Stitch gauge often differs from Stockinette Stitch gauge, so row counts (which are computed based on your main pattern swatch) may be different than specified.)

## Sweater Back

CO 77 stitches using long tail cast-on or other cast-on method of your choice. Work even in Garter Stitch for 2½"/6.5 cm (16 rows from beginning), ending with a WS row.

Switch to Stockinette.

When piece measures 2¾"/7 cm (18 rows from beginning), ending with a WS row, start waist shaping.

On your last row, place markers as follows: work 6 stitches, pm of color C, work 7 stitches, pm of color B, work 13 stitches, pm of color A, work 25 stitches, pm of color A, work 13 stitches, pm of color B, work 7 stitches, pm of color C, work 6 stitches to end. Six markers of three colors placed for waist shaping.

Decrease Row One (RS): Work to 2 stitches before first marker (color C), ssk, sm, work to 2 stitches before third marker (color A), ssk, sm, work to fourth marker (color A), sm, k2tog, work to sixth marker (color C), sm, k2tog, work to end. four stitches decreased. Work 1 row even.

Decrease Row Two (RS): Work to 2 stitches before second marker (color B), ssk, sm, work to fifth marker (color B), sm, k2tog, work to end. two stitches decreased. Work one row even.

Work Decrease Row One once more. **3 total** decrease rows worked since beginning. 67 stitches remain.

Work even as established until piece measures 4½"/11.5 cm, ending with a WS row: 30 rows from beginning, 8 rows from (and including) decrease row.

On last row, remove first, second, fifth and sixth markers (colors B and C).

Increase row (RS): Work to first marker, m1R, sm, work to second marker, sm, m1L, work to end. Two stitches increased.

Repeat Increase row every 14 rows 1 more times: 2 total increase rows worked.

Remove all markers.

71 stitches total.

### Armhole Shaping:

Work as established until piece measures 9"/23 cm, ending with a WS row: 60 rows from beginning, 16 rows from (and including) last increase row.

Shape Armhole:

BO 4 stitches at the beginning of the next 2 rows. Decrease 1 stitch at **each end** of every RS row 3 times. 57 stitches remain.

### Neck Shaping:

Work as established until piece measures 14½"/36.5 cm, ending with a WS row: 98 rows from beginning, 38 rows from armhole.

Shape neck:

Next row (RS): Work 19 stitches, BO 19 stitches, work to end. You will now work the left shoulder only; place stitches for right shoulder on a holder if desired.

Work even as established, decreasing 1 stitch at neck edge every RS row twice, ending with a RS row.

17 shoulder stitches remain. Continue straight until piece measures 15½"/39.5 cm: 105 rows from beginning, 44 rows from the beginning of armhole shaping.

Beginning with a WS row, **shape shoulders:**

Next row (WS): BO 9 sts, work to end. Work 1 RS row even.

BO remaining 8 sts.

Work even as established, decreasing 1 stitch at neck edge every RS row twice, ending with a WS row.

17 shoulder stitches remain. Continue straight until piece measures 15½"/39.5 cm: 104 rows from beginning, 44 rows from the beginning of armhole shaping.

Beginning with a RS row, **shape shoulders:**

Next row (RS): BO 9 sts, work to end. Work 1 WS row even.

BO remaining 8 sts.

Actual measurements

- Hip: 17"/43.5 cm
- Waist: 15"/38 cm
- Bust/chest: 15¾"/40 cm
- Cross-chest: 12¾"/32 cm
- Shoulder width (per side): 3¾"/9.5 cm
- Hem to waist: 4½"/11.5 cm
- Hem to armhole: 9"/23 cm
- Armhole depth: 6½"/16.5 cm
- Hem to shoulder: 15½"/39.5 cm

- Neck depth (exclusive of trim): 1"/2.5 cm

## Right Front

CO 34 stitches using long tail cast-on or other cast-on method of your choice. Work even in Garter Stitch for 2½"/6.5 cm (16 rows from beginning), ending with a WS row.

Switch to Stockinette.

When piece measures 2¾"/7 cm (18 rows from beginning), ending with a WS row, start waist shaping.

On your last row, place markers as follows: work 4 stitches, pm of color C, work 5 stitches, pm of color B, work 10 stitches, pm of color A, work 15 stitches to end. Three markers of three colors placed for waist shaping.

Decrease Row One (RS): K to first marker, sm, k2tog, k to end. One stitch decreased. Work one row even.

Decrease Row Two (RS): K to second marker, sm, k2tog, k to end. one stitch decreased. Work one row even.

Then, work the following two rows once.

Decrease Row Three (RS): K to first marker, sm, k2tog, k to third marker, sm, k2tog, k to end two stitches decreased. Work 1 row even.

3 **total** decrease rows worked since beginning. 30 stitches remain.

Work even as established until piece measures 4½"/11.5 cm, ending with a WS row: 30 rows from beginning, 8 rows from (and including) decrease row.

On last row, remove markers of colors B and C.

Increase row (RS): Knit to marker, sm, m1L, k to end. One stitch increased.

Remove all markers.

31 stitches total.

**Note: Armhole shaping will begin before neckline shaping is complete.** Neck shaping will begin at 6"/15 cm, 40 rows from beginning, 10 rows from (and including) last increase row. Armhole shaping will begin at 9"/23 cm, 61 rows from beginning, 21 rows from neckline.

**Please read ahead.**

### Neck Shaping:

Work as established until piece measures 6"/15 cm, ending with a WS row: 40 rows from beginning, 10 rows from (and including) last increase row.

Shape neck:

Beginning with a RS row, decrease 1 stitch at neck edge of this row and then every 10 rows 6 additional times: 7 total decrease rows worked.

**Note: Armhole shaping occurs at the same time.**

### Armhole Shaping:

Work as established until piece measures 9"/23 cm, ending with a RS row: 61 rows from beginning, 21 rows from neckline.

Shape Armhole:

Next row (WS): BO 4 stitches, then work as established to end. Work 1 RS row even.

Decrease 1 stitch at armhole edge of every RS row 3 times.

17 shoulder stitches remain. Continue straight until piece measures 15½"/39.5 cm: 105 rows from beginning, 44 rows from the beginning of armhole shaping.

Beginning with a WS row, **shape shoulders:**

Next row (WS): BO 9 sts, work to end. Work 1 RS row even.

BO remaining 8 sts.

Actual measurements

- Hip: 7½"/19 cm
- Waist: 6¾"/17 cm
- Bust/chest: 7"/17.5 cm
- Shoulder width (per side): 3¾"/9.5 cm
- Hem to waist: 4½"/11.5 cm
- Hem to armhole: 9"/23 cm
- Armhole depth: 6½"/16.5 cm
- Hem to shoulder: 15½"/39.5 cm
- Neck depth (exclusive of trim): 9½"/24 cm

## Left Front

CO 34 stitches using long tail cast-on or other cast-on method of your choice. Work even in Garter Stitch for 2½"/6.5 cm (16 rows from beginning), ending with a WS row.

Switch to Stockinette.

When piece measures 2¾"/7 cm (18 rows from beginning), ending with a WS row, start waist

shaping.

On your last row, place markers as follows: work 15 stitches, pm of color A, work 10 stitches, pm of color B, work 5 stitches, pm of color C, work 4 stitches to end. Three markers of three colors placed for waist shaping.

Decrease Row One (RS): K to 2 sts before third marker, ssk, sm, k to end. One stitch decreased. Work one row even.

Decrease Row Two (RS): K to 2 sts before second marker, ssk, sm, k to end. one stitch decreased. Work one row even.

Then, work the following two rows once.

Decrease Row Three (RS): K to 2 sts before first marker, ssk, sm, k to third marker, ssk, sm, k to end. two stitches decreased. Work 1 row even.

3 **total** decrease rows worked since beginning. 30 stitches remain.

Work even as established until piece measures 4½"/11.5 cm, ending with a WS row: 30 rows from beginning, 8 rows from (and including) decrease row.

On last row, remove markers of colors B and C.

Increase row (RS): Knit to marker, m1R, sm, k to end. One stitch increased.

Remove all markers.

31 stitches total.

**Note: Armhole shaping will begin before neckline shaping is complete.** Neck shaping will begin at 6"/15 cm, 41 rows from beginning, 11 rows from (and including) last increase row. Armhole shaping will begin at 9"/23 cm, 60 rows

from beginning, 19 rows from neckline.

**Please read ahead.**

### Neck Shaping:

Work as established until piece measures 6"/15 cm, ending with a RS row: 41 rows from beginning, 11 rows from (and including) last increase row.

Shape neck:

Work one WS row even.

Beginning with a RS row, decrease 1 stitch at neck edge of this row and then every 10 rows 6 additional times: 7 total decrease rows worked.

**Note: Armhole shaping occurs at the same time.**

### Armhole Shaping:

Work as established until piece measures 9"/23 cm, ending with a WS row: 60 rows from beginning, 19 rows from neckline.

Shape Armhole:

Next row (RS): BO 4 stitches, then work as established to end. Work 1 WS row even.

Work 1 row even.

Decrease 1 stitch at armhole edge of every RS row 3 times.

17 shoulder stitches remain. Continue straight until piece measures 15½"/39.5 cm: 104 rows from beginning, 44 rows from the beginning of armhole shaping.

Beginning with a RS row, **shape shoulders:**

Next row (RS): BO 9 sts, work to end. Work 1 WS row even.

BO remaining 8 sts.

Actual measurements

- Hip: 7½"/19 cm
- Waist: 6¾"/17 cm
- Bust/chest: 7"/17.5 cm
- Shoulder width (per side): 3¾"/9.5 cm
- Hem to waist: 4½"/11.5 cm
- Hem to armhole: 9"/23 cm
- Armhole depth: 6½"/16.5 cm
- Hem to shoulder: 15½"/39.5 cm
- Neck depth (exclusive of trim): 9½"/24 cm

## Sleeve

CO 49 stitches using long tail or other cast-on method of your choice. Work even in Garter Stitch for 3½"/9 cm (24 rows), ending with a WS row.

Switch to Stockinette.

Work even until sleeve measures 9"/23 cm (60 rows from beginning), ending with a WS row.

Shape sleeve cap:

BO 4 stitches at the beginning of the next 2 rows.

BO 0 stitches at the beginning of the following 2 rows. 41 stitches remain.

Decrease 1 stitch at **each end** of every RS row 12 times, then every row 2 times. 13 stitches remain.

BO 1 stitches at the beginning of the next 4 rows.

BO final 9 stitches.

Actual measurements:

- Sleeve CO: 11"/27.5 cm
- Biceps: 11"/27.5 cm
- Sleeve CO to sleeve-caps: 9"/23 cm
- Cap heights: 5"/13 cm
- Total sleeve length: 14"/35.5 cm

## Finishing Instructions

Wet block all sweater pieces to match measurements as shown. Join shoulder seams using mattress stitch.

Set in sleeves and sew using mattress stitch. Sew side and underarm seams using mattress stitch.

Button-band and Neckline Trim:

Beginning at hem of Right Front, pick up and knit around entire button-band and neckline edge as follows:

Stitches should be picked up and knit at the rate of 1 stitch for every bound-off stitch, 3 out of every 4 stitches along the diagonal, and 2 out of every 3 stitches along vertical sections. Place markers while picking up stitches as follows:

Pick up approximately 27 stitches along right front button band edge, place marker; pick up

approximately 118 along neck edge, place marker; pick up approximately 27 along left front edge. Approximately 172 stitches; this exact number is not crucial, **but should respect stitch counts for your stitch pattern.**

Work even in Garter Stitch for 1"/2.5 cm (approximately 6 rows), ending with a WS row.

On last row, place marker at bottom of each desired button hole.

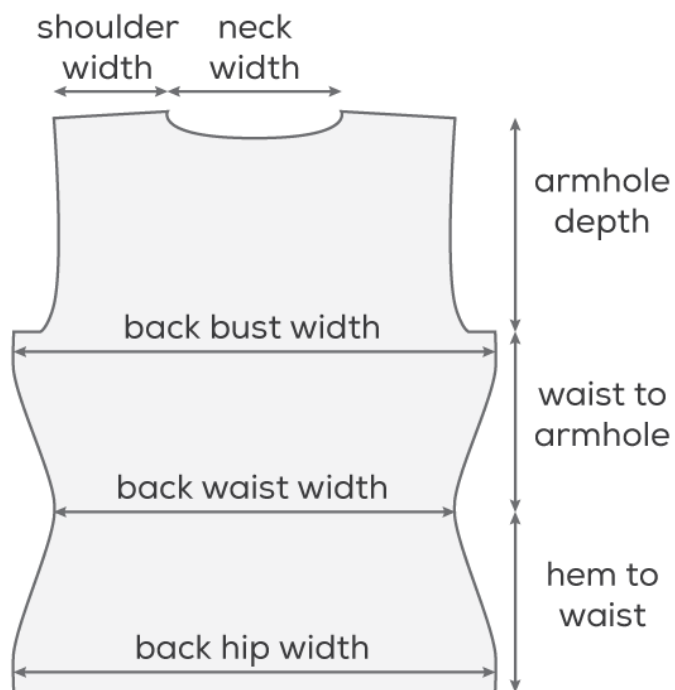
Buttonhole row (RS): \*Work to buttonhole marker, \*k2tog, yo. Rep from \* for each marker, work to end of buttonhole.

Work as established in Garter Stitch until trim measures 2"/5 cm (approximately 14 rows). BO all stitches.

Weave in all ends.



## Pattern Schematic



### back finished dimensions

shoulder width  
3¾"/9.5 cm

neck width  
5"/13 cm

back bust width  
15¾"/40 cm

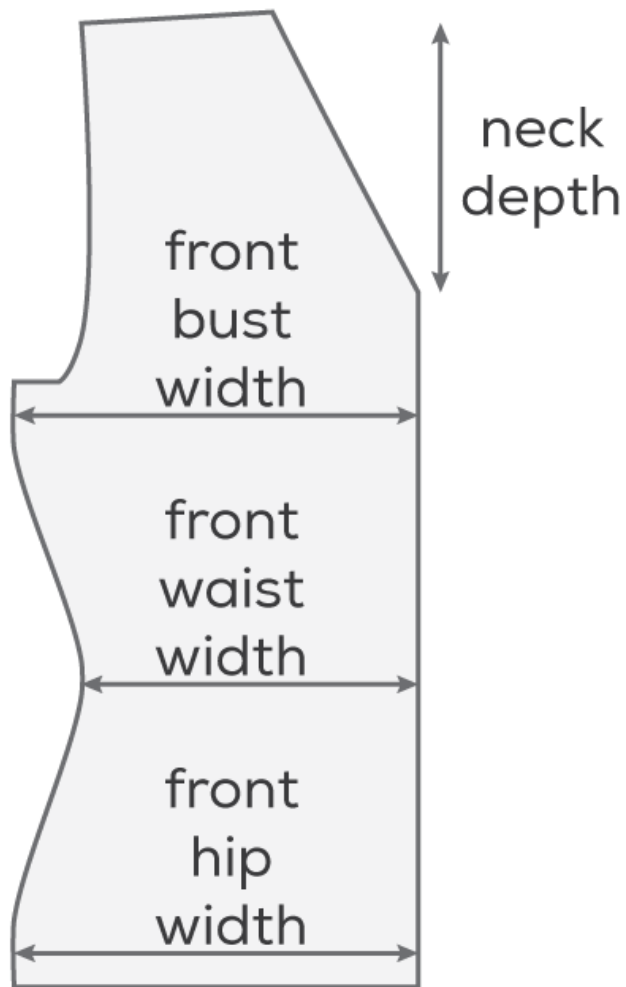
back waist width  
15"/38 cm

back hip width  
17"/43.5 cm

armhole depth  
6½"/16.5 cm

waist to armhole  
4½"/11.5 cm

hem to waist  
4½"/11.5 cm



**front finished dimensions**

neck depth

9½"/24 cm

front bust width

7"/17.5 cm

front waist width

6¾"/17 cm

front hip width

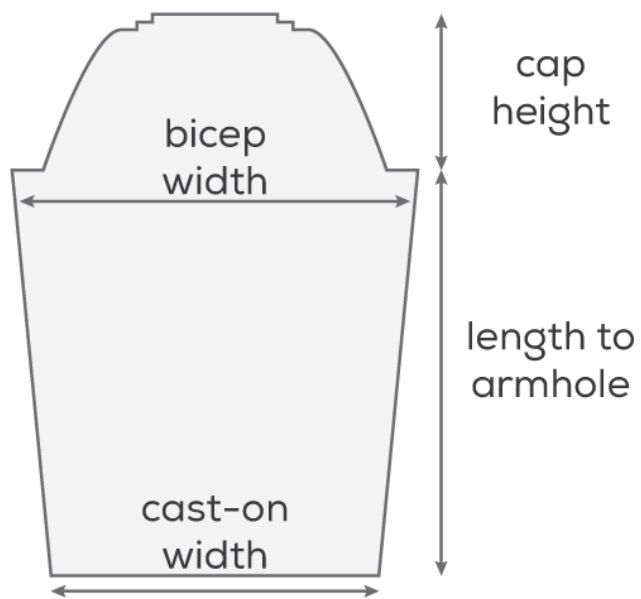
7½"/19 cm

waist to armhole

4½"/11.5 cm

hem to waist

4½"/11.5 cm



**sleeve finished dimensions**

- bicep width  
11"/27.5 cm
- cast on width  
11"/27.5 cm
- length to armhole  
9"/23 cm
- cap height  
5"/13 cm