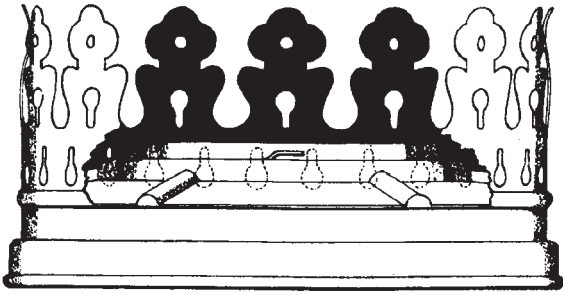


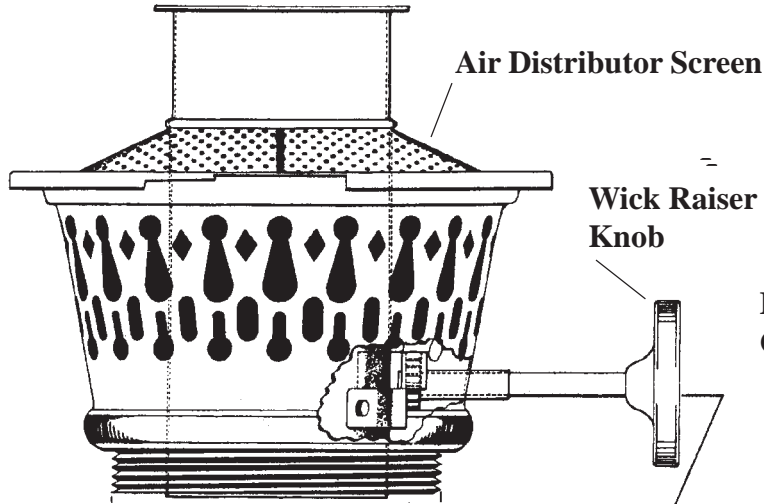
ALADDIN®

MODEL NO. 4 EXPLODED VIEW PARTS LIST

Sold from September 1912 to August 1913

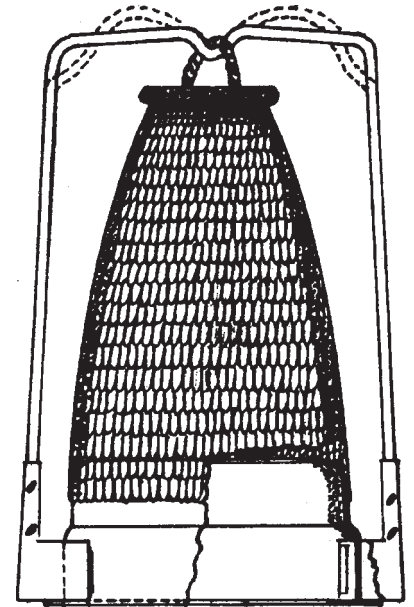


Model No. 4 Kerosene Lamp Gallery N/A

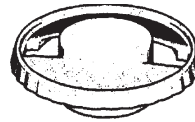


Model No. 4 Burner Base N/A

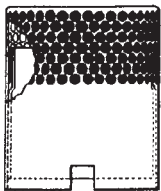
N146 Kone Kap
Mantle fits Models
3 thru 11



R111 Wick Trimmer
Cleans all One Inch
Aladdin Wicks



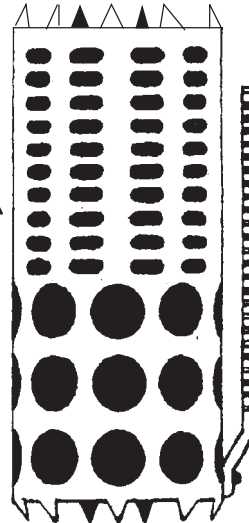
Model No. 4
Flame
Spreader
N/A



Shown Right
Two
Different
Faces of
Model No. 4
Burner Knob



Model No.
4 Wick
Raiser
N/A
also fits
Models
3 thru 5

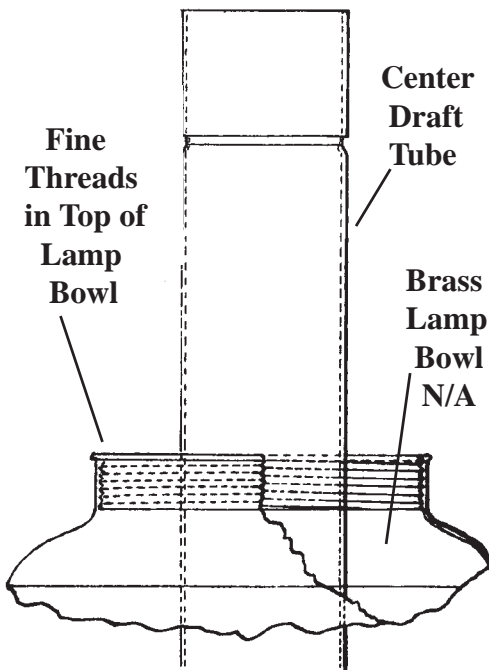


Note: Use any
Aladdin One
Inch Wick by
removing the
metal tabs and
mounting in
wick raiser.

Fine
Threads
in Top of
Lamp
Bowl

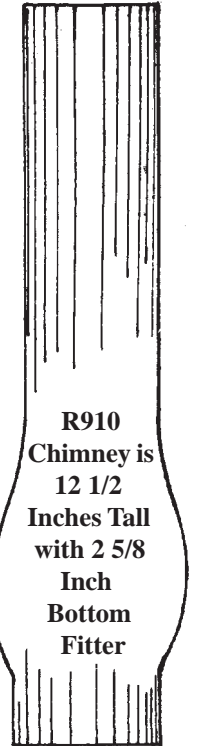
Center
Draft
Tube

Brass
Lamp
Bowl
N/A



R910 Heel-less
Glass Chimney fits
Models 3 thru 11

R910
Chimney is
12 1/2
Inches Tall
with 2 5/8
Inch
Bottom
Fitter



Aladdin Mantle Lamp Company
681 International Blvd.
Clarksville, TN 37040, USA
Tel: 800-457-5267 FAX: 931-647-4517
www.aladdinlamps.com
e-mail: sales@aladdinlamps.com

Lighting The World, Since 1908