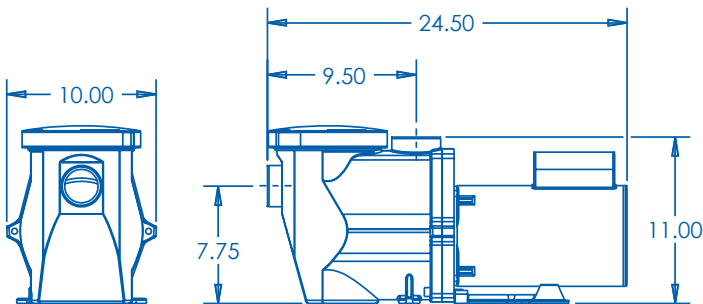


SEQUENCE® Power Primer

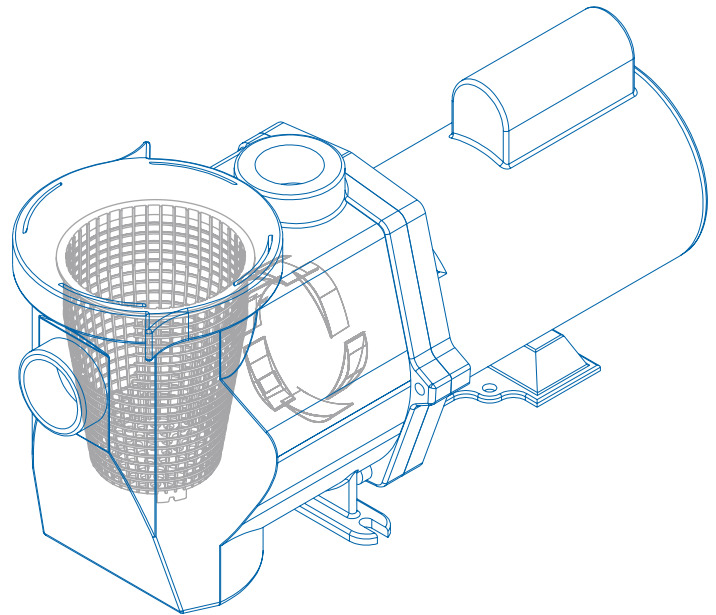


Power Primer Model 6300PRM77

Accelerate your system with another self priming high speed power series configuration. If you have an application requiring self priming, immense flow, and high head pressure capabilities, this series is the solution for you. The Sequence® Power series is made for those demanding applications where the constraint for high pressure is NOT subject to negotiation! Made in the USA. **Supplied with an 8-foot, 230V cordset**



*Dimensions and illustrations are approximate and for reference only



Flow At Total Dynamic Head

Model	Max Flow GPH	Max Head Feet	Max Power Watts	Max Current Amps	Flow					Voltage	Motor Enclosure	
					10'	20'	40'	60'	80'			
6300PRM77	6300	77	1496	8.7	GPM	98	89	70	45	0	230	ODP
					GPH	5880	5340	4200	2700	0		

Sustainable, Efficient

© 2009 SEQUENCE PUMPS A DIVISION OF MDM INC.



 SEQUENCE 6300PRM77 (High-Speed)

