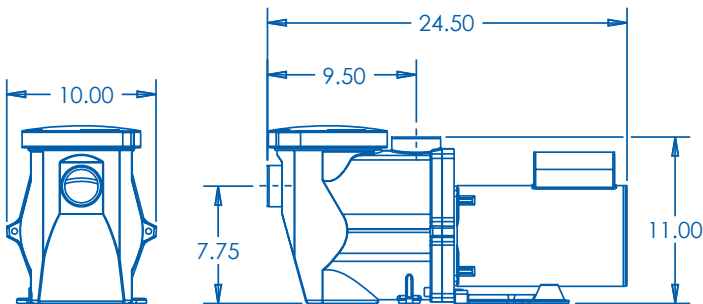


# SEQUENCE® Power Primer

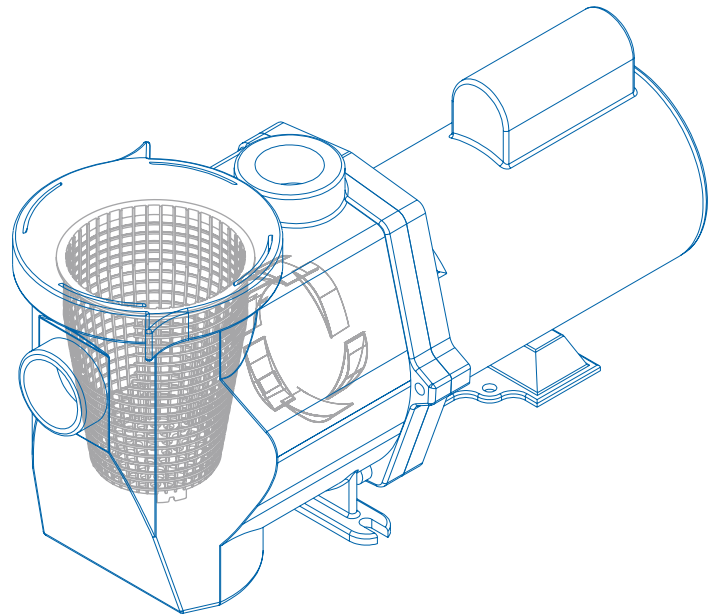


## ■ Power Primer Model 8100PRM81

Accelerate your system with another self priming high speed power series configuration. If you have an application requiring self priming, immense flow, and high head pressure capabilities, this series is the solution for you. The Sequence® Power series is made for those demanding applications where the constraint for high pressure is NOT subject to negotiation! Made in the USA. **Supplied with an 8-foot, 230V cordset**



\*Dimensions and illustrations are approximate and for reference only



Flow At Total Dynamic Head

Model	Max Flow GPH	Max Head Feet	Max Power Watts	Max Current Amps	Flow					Voltage	Motor Enclosure	
					10'	20'	40'	60'	80'			
8100PRM81	8100	81	1807	9.8	GPM	127	117	95	68	10	230	ODP
					GPH	7620	7020	5700	4080	600		

**Sustainable, Efficient**

© 2009 SEQUENCE PUMPS A DIVISION OF MDM INC.



 SEQUENCE 8100PRM81 (High-Speed)

