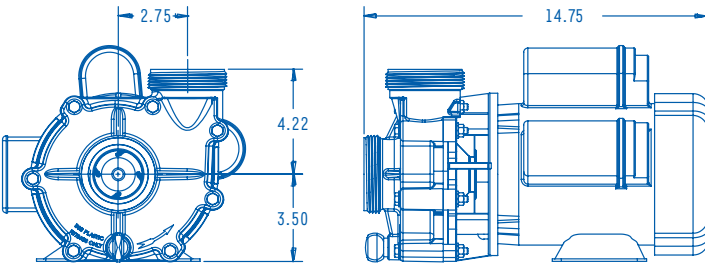


SEQUENCE® 4000

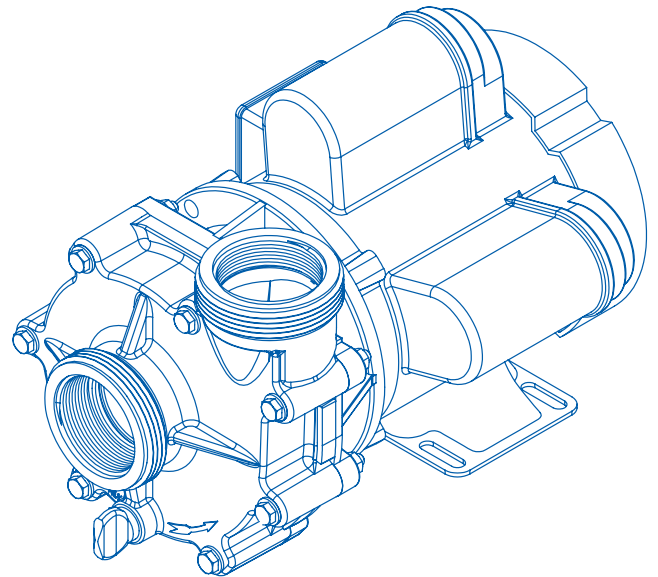


■ 4000 Model 3600SEQ20

Introducing the NEW Sequence® 4000. The new expansive design will meet today's increased market demand for performance on all levels. Peak performance of 3600 Gallons Per Hour while only requiring 227 Watts! Every Sequence® 4000 model is supplied complete with 2" FNPT and buttress thread ports and unions for ease of use. 3 year limited warranty. Made in USA. **Supplied with an 8-foot, 115V cordset.**



*Dimensions and illustrations are approximate and for reference only.



Flow At Total Dynamic Head

Model	Max Flow GPH	Max Head Feet	Max Power Watts	Max Current Amps	Flow At Total Dynamic Head					Voltage	Motor Enclosure	
					Flow	4'	8'	12'	16'			20'
3600SEQ20	3600	20.5	227	2.0	GPM	52	44	35	24	4	115	TEFC
					GPH	3120	2640	2100	1440	240		

Sustainable, Efficient ©2010 SEQUENCE® PUMPS A DIVISION OF MDM INC.



SEQUENCE #4 IMPELLER 3600SEQ20

