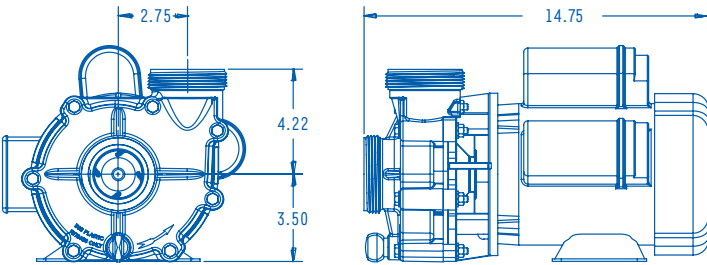


SEQUENCE® 4000

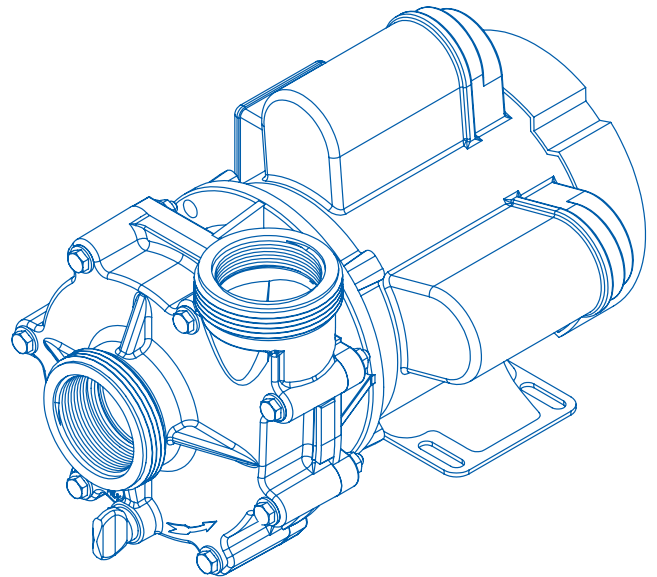


■ 4000 Model 5800SEQ21

Introducing the NEW Sequence® 4000. The new expansive design will meet today's increased market demand for performance on all levels. Peak performance of 5820 Gallons Per Hour while only requiring 296 Watts! Every Sequence® 4000 model is supplied complete with 2" FNPT and buttress thread ports and unions for ease of use. 3 year limited warranty. Made in USA. **Supplied with an 8-foot, 115V cordset.**



*Dimensions and illustrations are approximate and for reference only.



Flow At Total Dynamic Head

Model	Max Flow GPH	Max Head Feet	Max Power Watts	Max Current Amps	Flow At Total Dynamic Head					Voltage	Motor Enclosure	
					Flow	4'	8'	12'	16'			20'
5800SEQ21	5820	21	296	2.6	GPM	87	75	62	46	16	115	TEFC
					GPH	5220	4500	3720	2760	960		

Sustainable, Efficient ©2010 SEQUENCE® PUMPS A DIVISION OF MDM INC.



 SEQUENCE #6 IMPELLER 5800SEQ21

