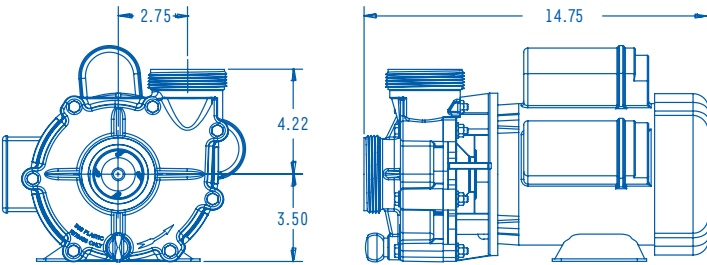


# SEQUENCE® 4000

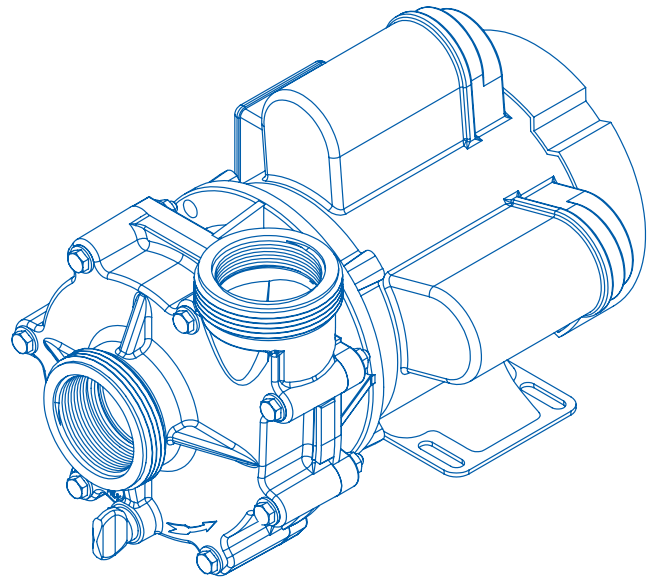


## ■ 4000 Model 6800SEQ22

Introducing the NEW Sequence® 4000. The new expansive design will meet today's increased market demand for performance on all levels. Peak performance of 6840 Gallons Per Hour while only requiring 376 Watts! Every Sequence® 4000 model is supplied complete with 2" FNPT and buttress thread ports and unions for ease of use. 3 year limited warranty. Made in USA. **Supplied with an 8-foot, 115V cordset.**



\*Dimensions and illustrations are approximate and for reference only.



Flow At Total Dynamic Head

Model	Max Flow GPH	Max Head Feet	Max Power Watts	Max Current Amps	Flow At Total Dynamic Head					Voltage	Motor Enclosure	
					Flow	4'	8'	12'	16'			20'
6800SEQ22	6840	22.2	376	3.4	GPM	104	93	80	64	42	115	TEFC
					GPH	6240	5580	4800	3840	2520		

**Sustainable, Efficient** ©2010 SEQUENCE® PUMPS A DIVISION OF MDM INC.



**SEQUENCE** #7 IMPELLER 6800SEQ22

