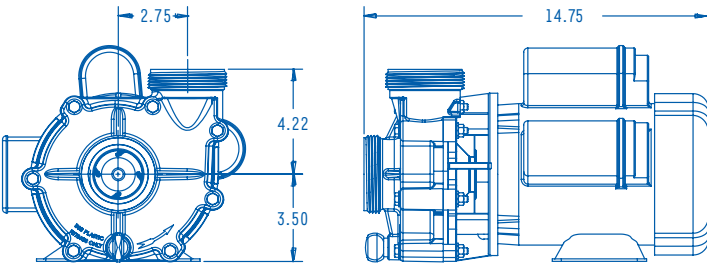


SEQUENCE® 4000

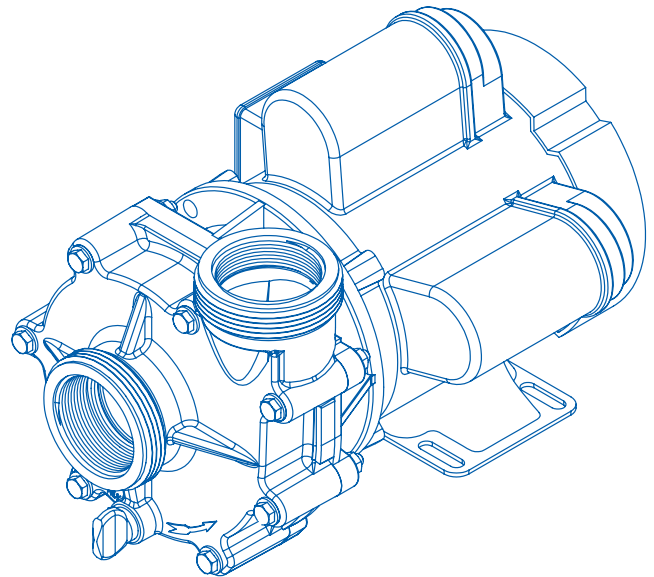


■ 4000 Model 8200SEQ22

Introducing the NEW Sequence® 4000. The new expansive design will meet today's increased market demand for performance on all levels. Peak performance of 8220 Gallons Per Hour while only requiring 450 Watts! Every Sequence® 4000 model is supplied complete with 2" FNPT and buttress thread ports and unions for ease of use. 3 year limited warranty. Made in USA. **Supplied with an 8-foot, 115V cordset.**



*Dimensions and illustrations are approximate and for reference only.



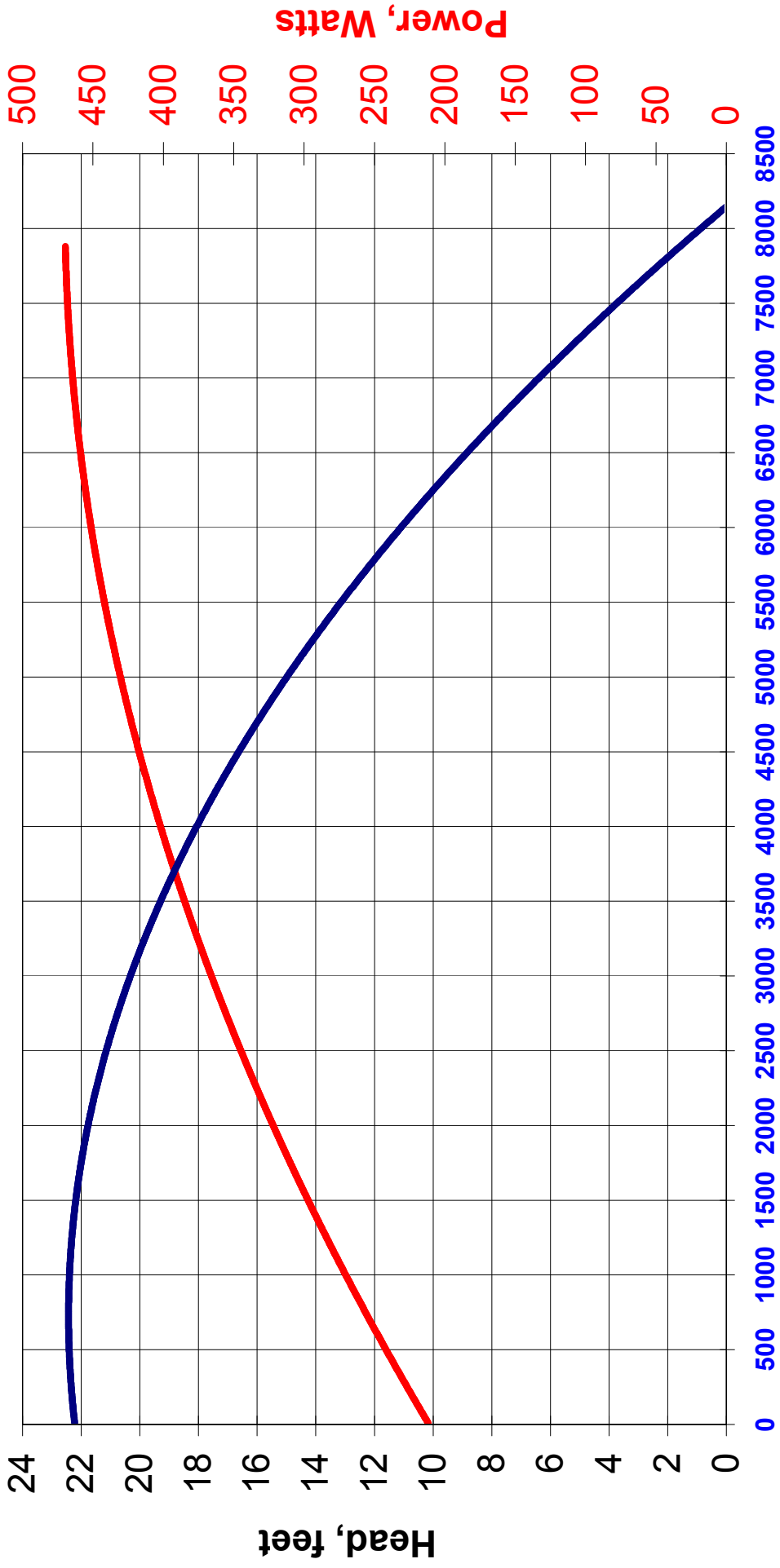
Flow At Total Dynamic Head

Model	Max Flow GPH	Max Head Feet	Max Power Watts	Max Current Amps	Flow At Total Dynamic Head					Voltage	Motor Enclosure	
					Flow	4'	8'	12'	16'			20'
8200SEQ22	8220	22.3	450	4.0	GPM	125	112	96	78	52	115	TEFC
					GPH	7500	6720	5760	4680	3120		

Sustainable, Efficient ©2010 SEQUENCE® PUMPS A DIVISION OF MDM INC.



 SEQUENCE #8 IMPELLER 8200SEQ22



Flow, GPH