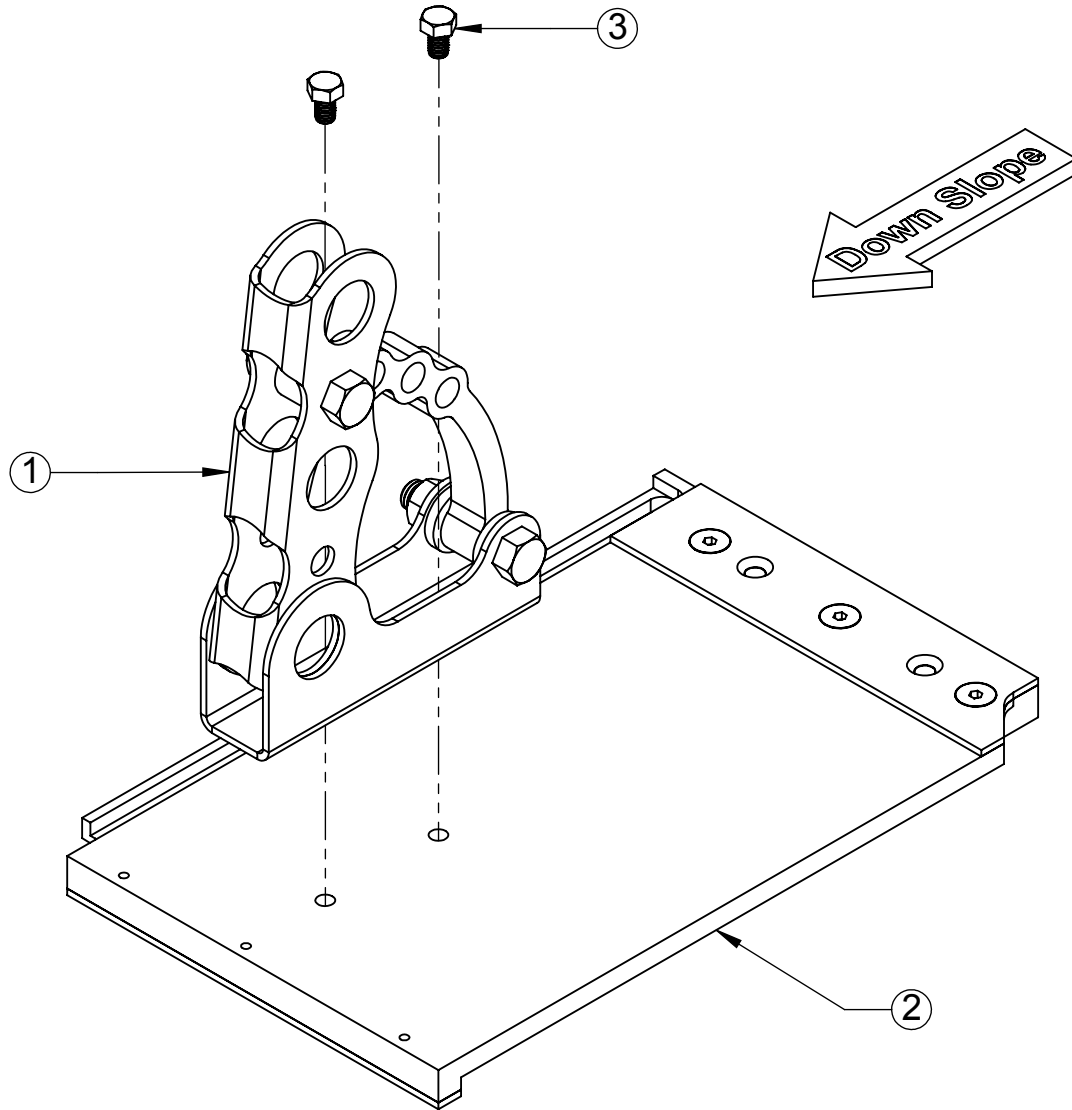


Assembly Sheet -PP235LF

1. Installation to be completed in accordance with manufacturer's written specifications and installation instructions.
2. See spec sheet or contact manufacturer for detailed material, finishes, and configuration options.
3. Contact manufacturer for detailed layout.
4. Do not scale drawings.
5. Subject to change without notice.



ITEM NO.	DESCRIPTION	QTY.
1	PP225 Bracket	1
2	Ludo Flat Tile Base Custom - AL	1
3	5/16"-18 X 0.5" Hex Bolt	1



289 Harrel Street Toll Free Phone 1.888.766.4273
 Morrisville, VT 05661 Toll Free Fax 1.888.766.9994

Material: See Spec Sheet

Scale: 1:3 07/06/2015 07 72 53 Snow Guards