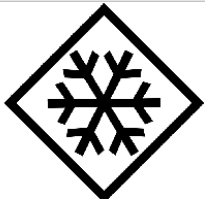
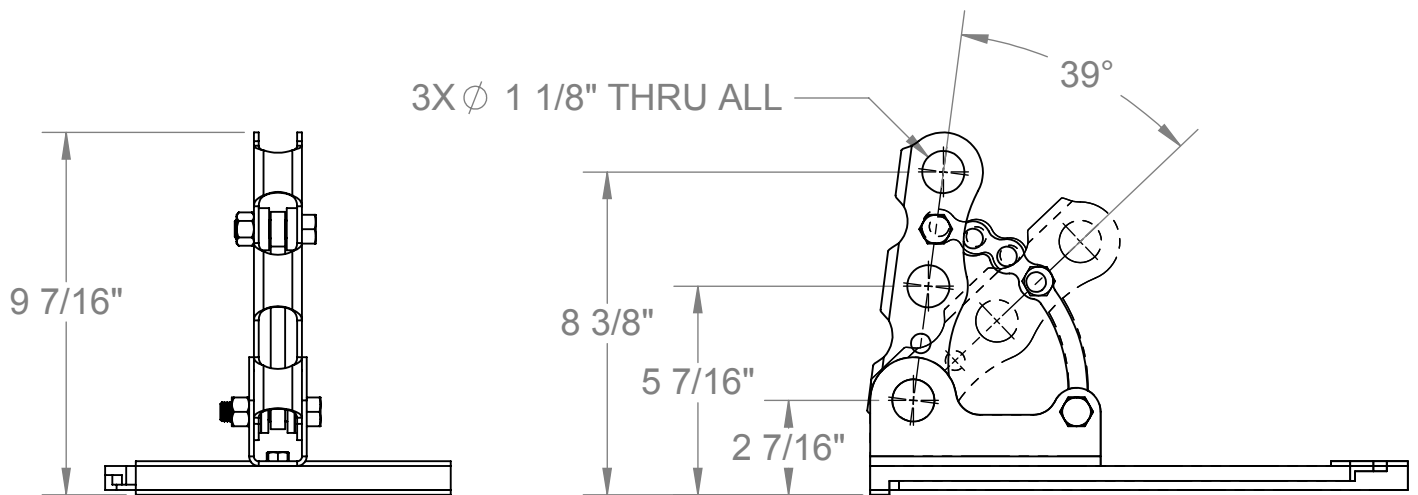
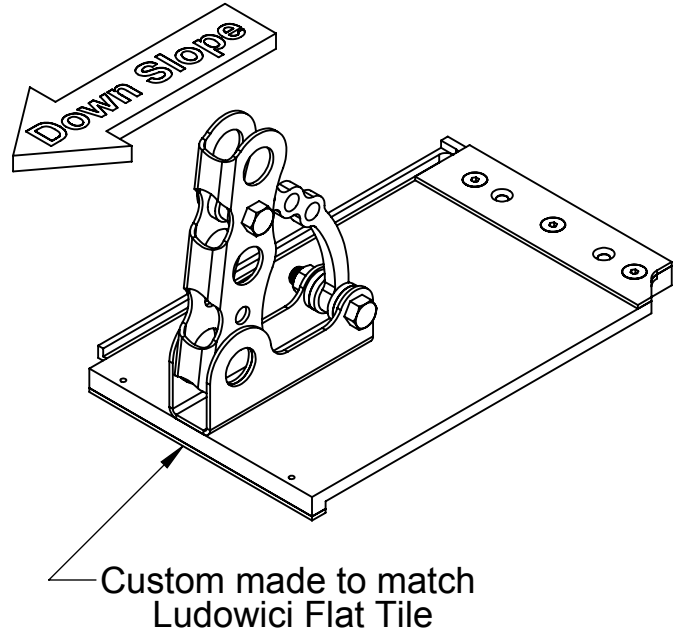
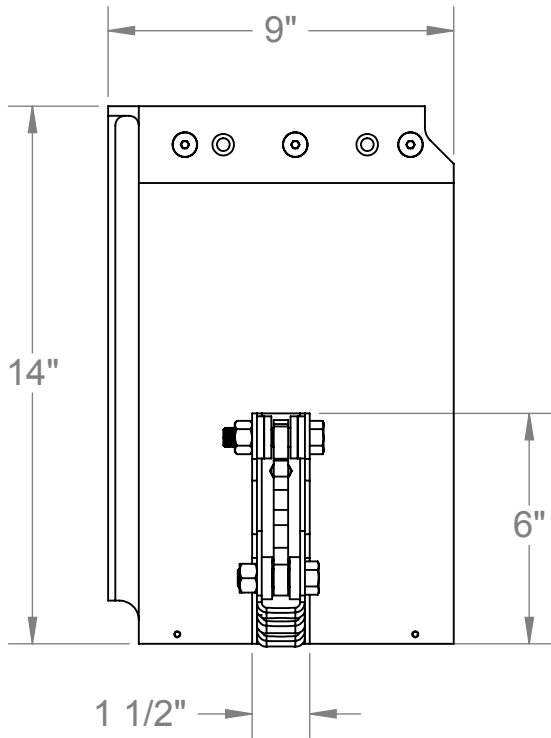


# Cut Sheet - #235LF Brass

1. Installation to be completed in accordance with manufacturer's written specifications and installation instructions.
2. See spec sheet or contact manufacturer for detailed material, finishes, and configuration options.
3. Contact manufacturer for detailed layout.
4. Do not scale drawings.
5. Subject to change without notice.



**ALPINE  
SNOWGUARDS®**  
www.alpinesnowguards.com

289 Harrel Street Toll Free Phone 1.888.766.4273  
Morrisville, VT 05661 Toll Free Fax 1.888.766.9994

Material: See Spec Sheet

Scale: 1:5

9/10/2010

07 72 53 Snow Guards