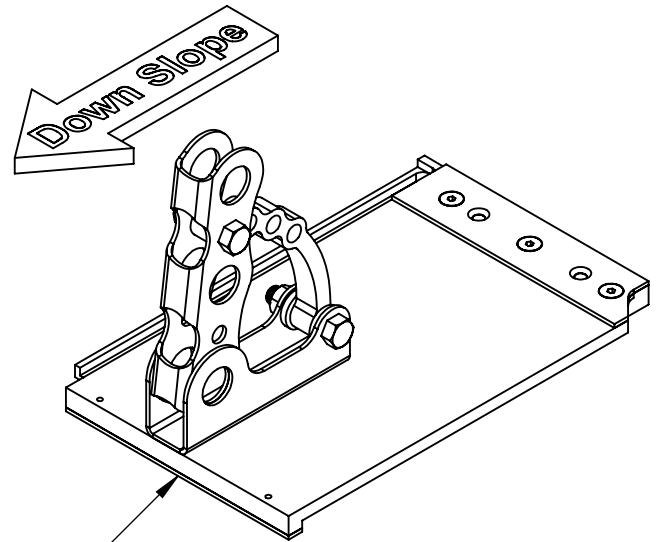
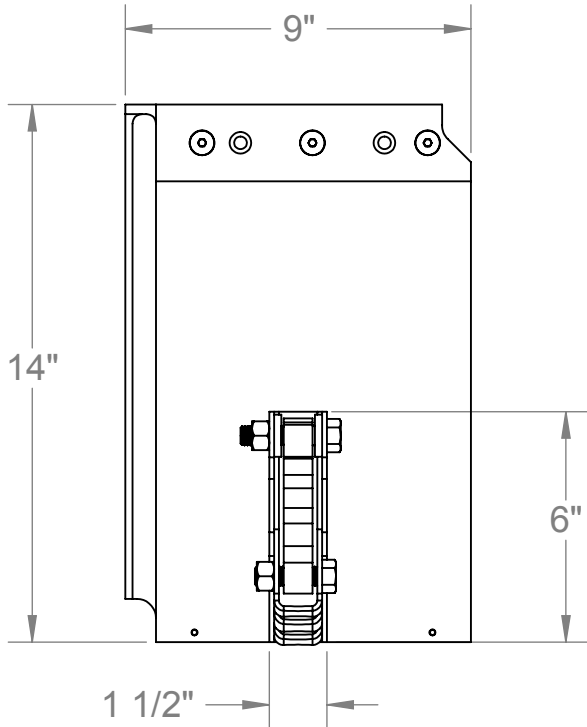
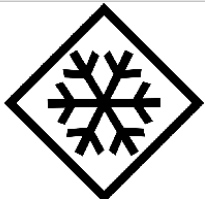
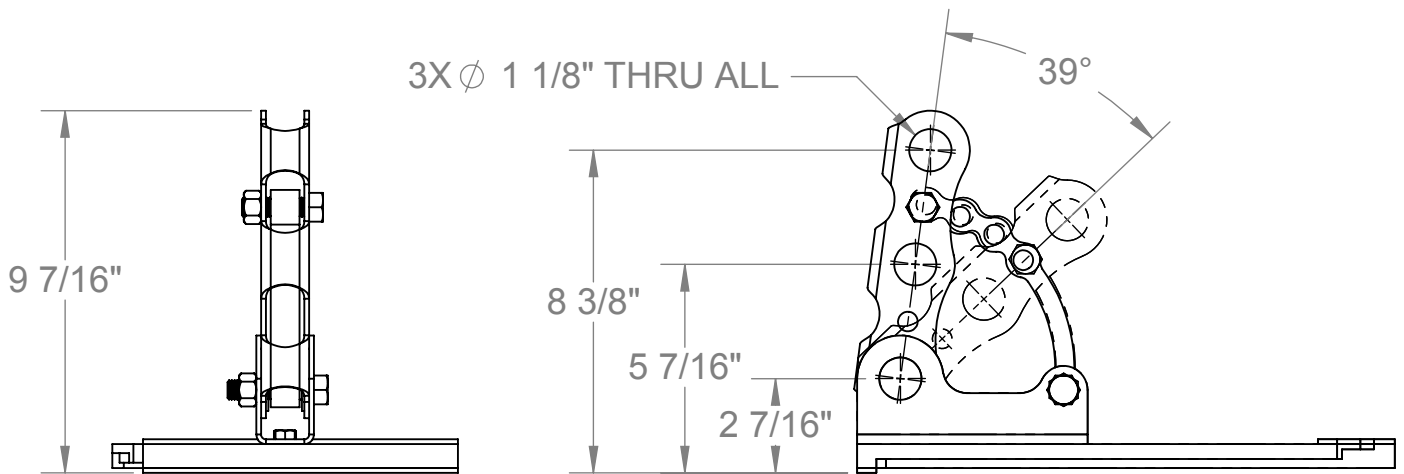


Cut Sheet - #235LF

1. Installation to be completed in accordance with manufacturer's written specifications and installation instructions.
2. See spec sheet or contact manufacturer for detailed material, finishes, and configuration options.
3. Contact manufacturer for detailed layout.
4. Do not scale drawings.
5. Subject to change without notice.



Custom made to match
Ludowici Flat Tile



**ALPINE
SNOWGUARDS®**
www.alpinesnowguards.com

289 Harrel Street Toll Free Phone 1.888.766.4273
Morrisville, VT 05661 Toll Free Fax 1.888.766.9994

Material: See Spec Sheet

Scale: 1:5 9/10/2010 07 72 53 Snow Guards