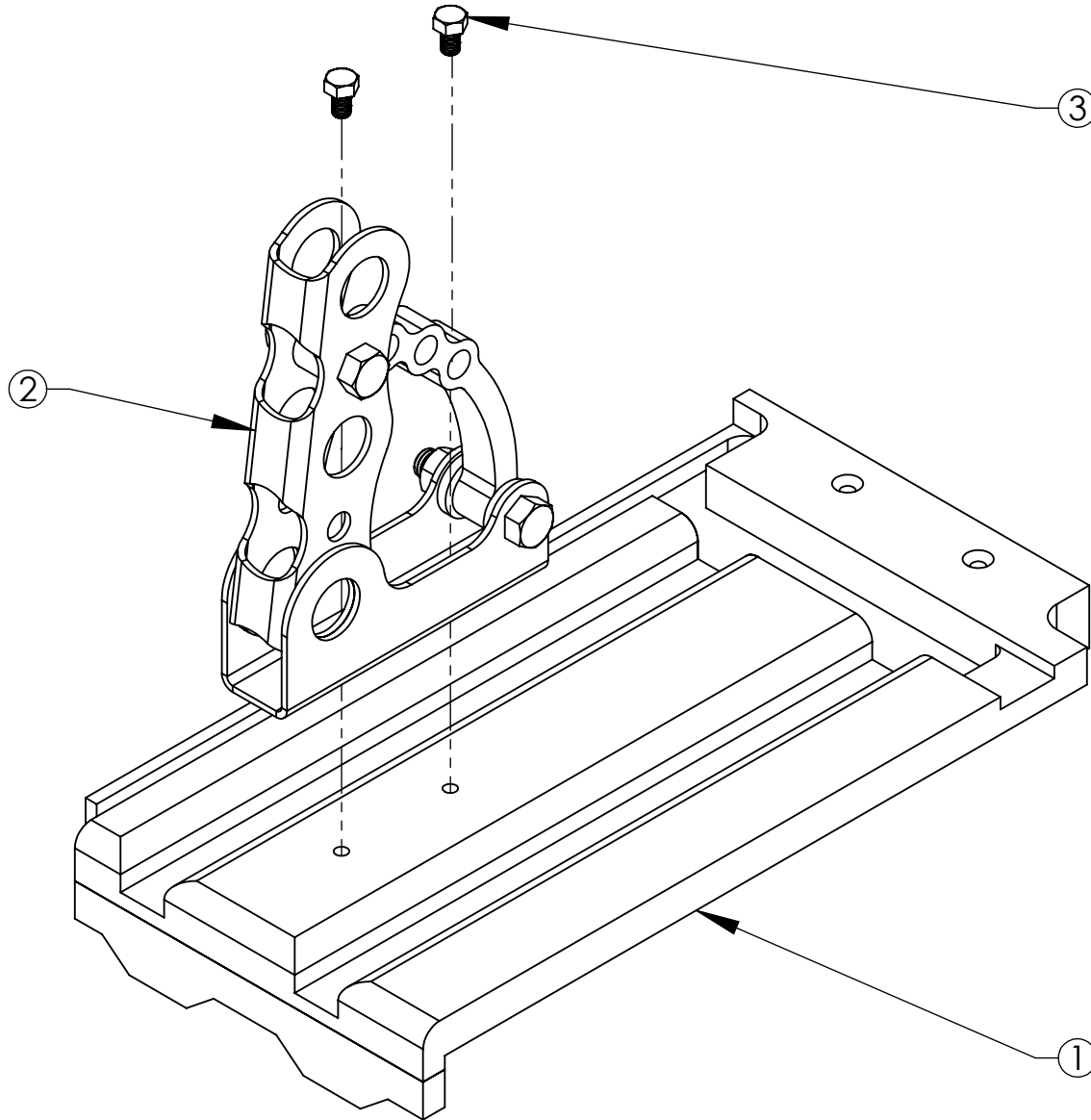


# Assembly Sheet - PP235LFR

1. Installation to be completed in accordance with manufacturer's written specifications and installation instructions.
2. See spec sheet or contact manufacturer for detailed material, finishes, and configuration options.
3. Contact manufacturer for detailed layout.
4. Do not scale drawings.
5. Subject to change without notice.
6. For patent information, visit our [Patent Page](#).



ITEM NO.	PART CODE	DESCRIPTION	QTY
1	TILE LUD-FRENCH-AL	3PP Ludo French Tile Aluminum	1
2	PP225-AL-UPKIT	225 3PP Bracket Only-Aluminum	1
3	B-HX SS-.313-18X.5	Stainless Steel Hex Bolt .3125-18x5	2



289 Harrel Street  
 Morrisville, VT 05661  
 Phone: 1.888.766.4273  
 Fax: 1.888.766.9994  
 Email: [Info@alpinesnowguards.com](mailto:Info@alpinesnowguards.com)

Scale: 1:3

4/12/2021