

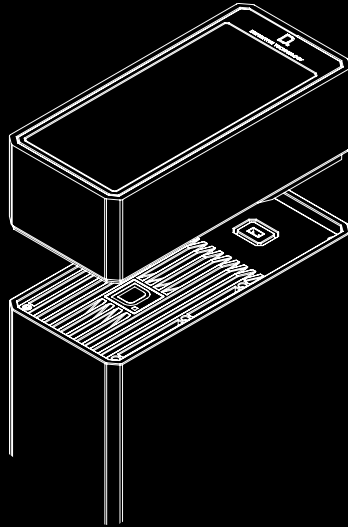
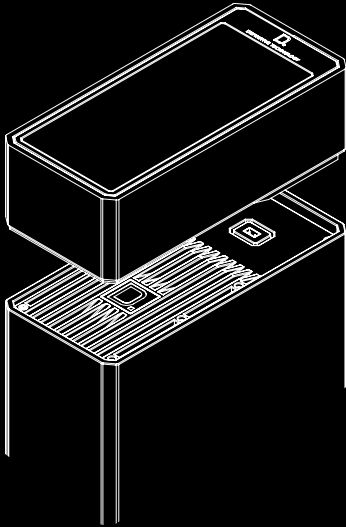


DEFINITIVE TECHNOLOGY

BP9000 | SERIES

Owner's Manual

A90 Elevation Speaker Module



A90

Speaker Module

DEFINITIVE TECHNOLOGY

WHAT OBSESSION SOUNDS LIKE™

Thank you for choosing the Definitive Technology A90 height speaker module for your BP9000 loudspeakers. We created the A90 module as a dedicated height speaker designed specifically for the BP9060, BP9040, and BP9020 models so you can fully enjoy the Dolby Atmos® or DTS:X™ multi-dimensional sound experience within your home theater setup. The A90 easily connects and sits within the top of your BP9000 speakers to fire sound upwards, which is then reflected off the ceiling and back down to your viewing area.

Our engineers have spent many years in developing this product. In order to ensure that you experience the finest performance possible, we encourage you to take a moment to fully read this owner's manual and familiarize yourself with the proper installation and set-up procedures for your BP9000 speakers.

SAFETY PRECAUTIONS



CAUTION! To reduce the risk of electric shock and fire, do not remove the cover or back plate of this device. There are no user serviceable parts inside. Please refer all servicing to licensed service technicians.
Avis: Risque de choc électrique, ne pas ouvrir.

CAUTION! The international symbol of a lightning bolt inside of a triangle is intended to alert the user to uninsulated “dangerous voltage” within the device’s enclosure. The international symbol of an exclamation point inside of a triangle is intended to alert the user to the presence of important operating, maintenance and servicing information in the manual accompanying the device.

CAUTION! To prevent electrical shock, match wide blade of plug to wide slot, fully insert. Attention: Pour éviter les chocs électriques, introduire la lame la plus large de la fiche dans la borne correspondante de la prise et pousser jusqu’au fond.

CAUTION! To reduce the risk of electrical shock, do not expose this equipment to rain or moisture.

- 1. READ INSTRUCTIONS**—All safety and operating instructions should be read before operating the device.
- 2. RETAIN INSTRUCTIONS**—The safety and operating instructions should be retained for future reference.
- 3. HEED WARNINGS**—All warnings on the device and in the operating instructions should be adhered to.
- 4. FOLLOW INSTRUCTIONS**—All operating and safety instructions should be followed.
- 5. WATER & MOISTURE**—The device should never be used in, or near water for risk of fatal shock.
- 6. VENTILATION**—The device should always be located in such a way that it maintains proper ventilation. It should never be placed in a built-in installation or anywhere that may impede the flow of air through its heat sink.
- 7. HEAT**—Never locate the device near heat sources such as radiators, floor registers, stoves or other heat-generating devices.
- 8. POWER SUPPLY**—The device should only be connected to a power supply of the type described in the operating instructions or as marked on the device.

- 9. POWER CORD PROTECTION**—Power cables should be routed so they are not likely to be stepped on or crushed by items placed on them or against them. Special attention should be paid to areas where the plug enters a socket or fused strip and where the cord exits the device.
- 10. CLEANING**—The device should be cleaned in accordance with manufacturer’s instructions. We recommend using a lint roller or household duster for the grille cloth.
- 11. PERIODS OF NON-USE**—The device should be unplugged when not being used for extended periods of time.
- 12. DANGEROUS ENTRY**—Care should be taken that no foreign objects or liquids fall or are spilled inside the device.
- 13. DAMAGE REQUIRING SERVICE**—The device should be serviced by licensed technicians when:
 - The plug or power supply cord has been damaged.
 - Objects have fallen on or liquid has spilled inside the device.
 - The device has been exposed to moisture.
 - The device does not appear to be operating properly or exhibits a marked change in performance.
 - The device has been dropped or the cabinet becomes damaged.
- 14. SERVICE**—The device should always be serviced by licensed technicians. Only replacement parts specified by the manufacturer should be used. The use of unauthorized substitutions may result in fire, shock, or other hazards.

POWER SUPPLY

- The fuse and power disconnect device are located on the back of the speaker.
- The disconnect device is the power cord, detachable at either the speaker or the wall.
- The power cord must be disconnected from the speaker before servicing.

This symbol on our electrical products or their packaging indicates that it is forbidden in Europe to discard the product in question as domestic waste. In order to ensure that you dispose of the products correctly, please dispose of the products according to local laws and regulations on the disposal of electrical and electronic equipment. In doing so you are contributing to the retention of natural resources and to the promotion of environmental protection by the treatment and disposal of electronic waste.



We're delighted that you're part of our Definitive Technology family.

Please take a few minutes to register your product* so we have a complete record of your purchase. Doing so helps us serve you the best we can now and in the future. It also lets us contact you for any service or warranty alerts (*if required*).

Register here: <http://www.definitivetechology.com/registration>

No internet? Call Customer Service

M-F 9:30 a.m. - 6 p.m. US ET

at (800) 228-7148 (US & Canada), 01 (410) 363-7148 (all other countries)

Note: the data we gather during online registration is never sold or distributed to third parties.

**Serial number can be found at the back of the manual*

Unpacking Your A90 Elevation Speaker Module

Please unpack your A90 elevation speaker module carefully. We recommend saving the carton and packing materials in case you move or need to ship your system. It is important to save this booklet, as it contains the serial number for your product. You can also find the serial number on the back of your A90. Each loudspeaker leaves our factory in perfect condition. Any visible or concealed damage most likely occurred in handling after it left our factory. If you discover any shipping damage, please report this to your Definitive Technology dealer or the company that delivered your loudspeaker.

Accessories Included:

1. (2) A90 Speakers

Connecting the A90 Elevation Speaker Module to Your BP9000 Loudspeakers

Using your hands, gently push down on the back of the magnetically-sealed aluminum top panel of your BP9000 speaker (*Figure 1*). Set the top panel aside temporarily and/or put away for safekeeping. We've designed your BP9000 speakers for the ultimate in design flexibility. So, feel free to keep the A90 module connected permanently it's connected placed, or remove it at the completion of each viewing experience.

Correctly align and place the A90 elevation speaker module within the top of your BP9000 speaker. Press down evenly to ensure a tight seal. The connector port on the inside perfectly mates with the connector plug on the underside of the A90 module (*Figure 2*).

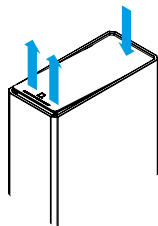


FIGURE 1 | Aluminum top panel removal

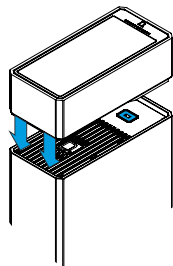
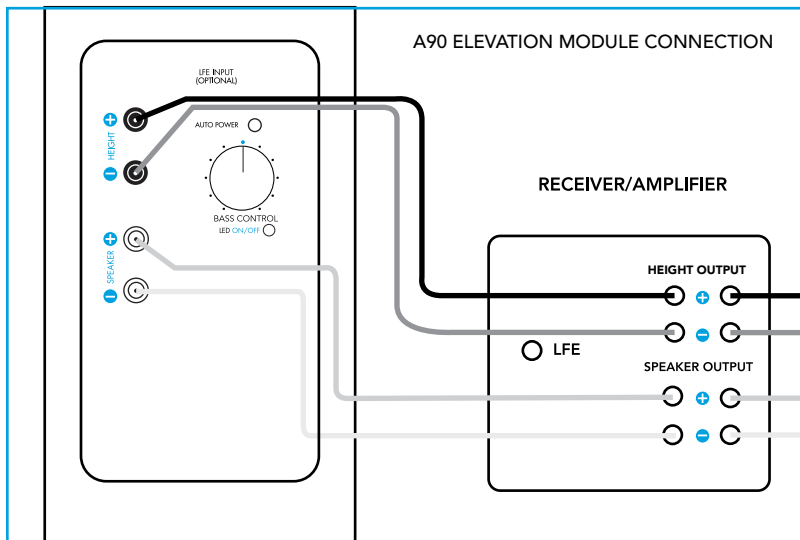


FIGURE 2 | A90 Placement

Connecting Your A90 Elevation Module

Now, run speaker wire from any compatible Atmos or DTS:X receiver binding posts (often titled HEIGHT) to the top set of binding posts (titled: HEIGHT) on the bottom, rear side of your BP9000 speakers. Be sure to match + to +, and – to –.



Note: The A90 elevation speaker module for your BP9000 speakers requires an Dolby Atmos/DTS:X-enabled receiver and is maximized by Dolby Atmos/DTS:X-encoded source material. Visit www.dolby.com or www.dts.com for more information on available titles.

Ceiling Height for the Optimal Dolby Atmos® or DTS:X™ Experience

It's important to know that the A90 elevation module is a height speaker that bounces sound off a ceiling and back toward your viewing area. With that in mind, your ceiling plays an important role in the experience.

To achieve the best Dolby Atmos or DTS:X experience possible:

- Your ceiling should be flat
- Your ceiling material should be acoustically reflective (examples include drywall, plaster, hardwood or other rigid, non-sound absorbing material)
- Ideal ceiling height is between 7.5 and 12 feet
- Maximum recommended height is 14 feet

Receiver Setup Recommendations

To experience either revolutionary sound technology, you must have a way to play or stream Dolby Atmos or DTS:X content.

Note: please reference your receiver/processor owner's manual for complete directions, or give us a call.

Options to Play or Stream Content

1. You can play Dolby Atmos or DTS:X content from a Blu-ray Disc through an existing Blu-ray Disc player. Be sure you have a player that's fully compliant with Blu-ray specifications.

Or

2. You can stream content from a compatible game console, Blu-ray, or streaming media player. In both cases, be sure to set your player to bitstream output.

Note: Dolby Atmos and DTS:X are compatible with the current HDMI® specification (v1.4 and later). For more information, visit www.dolby.com or www.dts.com.

Maximizing Your New Home Theater

While certified Dolby Atmos or DTS:X content will be maximized on your new system, nearly any content can be improved with the addition of your A90 height modules. For example, nearly all Dolby Atmos receivers feature a Dolby surround upmixer function that automatically adapts any traditional channel-based signal to the new, full capabilities of your system, including your A90 height modules. This ensures that you hear realistic and immersive three-dimensional sound no matter what you're playing. Please reference your receiver/processor owner's manual for complete information.

A90

SPECIFICATIONS (EACH)

| | |
|-------------------------------------|--|
| DIMENSIONS | 3.75" H x 6" W x 13" D (9.5 cm x 15.2 cm x 33 cm) |
| PRODUCT WEIGHT | 6 lbs. |
| DRIVER COMPLEMENT | (1) 4.5" driver, (1) 1" aluminum dome tweeter |
| SUBWOOFER SYSTEMS DRIVER COMPLEMENT | none |
| FREQUENCY RESPONSE | 86Hz-40kHz |
| SENSITIVITY | 89.5dB |
| IMPEDANCE | 8 ohms |
| RECOMMENDED INPUT POWER | 25-100W |
| NOMINAL POWER (1% THD, 5SEC.) | none |

Technical Assistance

It is our pleasure to offer assistance if you have any questions regarding your BP9000 or its setup. Please contact your nearest Definitive Technology dealer or call us directly at (800) 228-7148 (US & Canada), 01 (410) 363-7148 (all other countries) or e-mail info@definitivetech.com. Technical support is offered in English only.

Service

Service and warranty work on your Definitive loudspeakers will normally be performed by your local Definitive Technology dealer. If, however, you wish to return the speaker to us, please contact us first, describing the problem and requesting authorization as well as the location of the nearest factory service center. Please note that the address given in this booklet is the address of our offices only. Under no circumstances should loudspeakers be shipped to our offices or returned without contacting us first and obtaining return authorization.

Definitive Technology Offices

1 Viper Way, Vista, CA 92081

Phone: (800) 228-7148 (US & Canada), 01 (410) 363-7148 (all other countries)

Troubleshooting

If you experience any difficulties with your BP9000 speakers, try the suggestions below. If you still have problems, contact your Definitive Technology Authorized Dealer for assistance.

1. Audible distortion when the speakers are playing at loud levels is caused by turning up your receiver or amplifier louder than the receiver or the speakers are capable of playing. Most receivers and amplifiers put out their full-rated power well before the volume control is turned all the way up, so the position of the volume control is a poor indicator of its power limit. If your speakers distort when you play them loud, turn the volume down!
2. If you experience a lack of bass, it is likely that one speaker is out of phase (polarity) with the other and needs to be rewired with closer attention to connecting positive to positive and negative to negative on both channels. Most speaker wire has some indicator (such as color-coding, ribbing or writing) on one of the two conductors to help you maintain consistency. It is essential to connect both speakers to the amplifier in the same way (in phase). You may also experience lack of bass if the bass volume knob is turned down or not on.
3. Make sure all your system interconnects and power cords are solidly in place.
4. Should you hear hum or noise coming from your speakers, try plugging the speakers' power cords into a different AC circuit.
5. The system has sophisticated internal protection circuitry. If for some reason the protection circuitry trips, turn off your system and wait five minutes before trying the system again. If the speakers' built-in amplifier should overheat, the system will turn off until the amplifier cools down and resets.
6. Check to be sure that your power cord has not been damaged.
7. Check that no foreign objects or liquid has entered the speaker cabinet.
8. If you cannot get the subwoofer driver to turn on or if no sound comes out and you are sure the system is set up properly, please bring the loudspeaker to your Definitive Technology Authorized Dealer for assistance; call first

Limited Warranty:

5-Years for Drivers and Cabinets, 3-Years for Electronic Components

DEI Sales Co., dba Definitive Technology (herein "Definitive") warrants to the original retail purchaser only that this Definitive loudspeaker product (the "Product") will be free from defects in material and workmanship for a period of five (5) years covering the drivers and cabinets, and three (3) years for the electronic components from the date of the original purchase from a Definitive Authorized Dealer. If the Product is defective in material or workmanship, Definitive or its Authorized Dealer will, at its option, repair or replace the warranted product at no additional charge, except as set forth below. All replaced parts and Product(s) become the property of Definitive. Product that is repaired or replaced under this warranty will be returned to you, within a reasonable time, freight collect. This warranty is non-transferrable and is automatically void if the original purchaser sells or otherwise transfers the Product to any other party.

This Warranty does not include service or parts to repair damage caused by accident, misuse, abuse, negligence, inadequate packing or shipping procedures, commercial use, voltage in excess of the rated maximum of the unit, cosmetic appearance of cabinetry not directly attributable to defects in material or workmanship. This warranty does not cover the elimination of externally generated static or noise, or the correction of antenna problems or weak reception. This warranty does not cover labor costs or damage to the Product caused by installation or removal of the Product. Definitive Technology makes no warranty with respect to its products purchased from dealers or outlets other than Definitive Technology Authorized Dealer.

THE WARRANTY IS AUTOMATICALLY VOID IF:

- 1) The product has been damaged, altered in any way, mishandled during transportation, or tampered with.
- 2) The product is damaged due to accident, fire, flood, unreasonable use, misuse, abuse, customer applied cleaners, failure to observe manufacturers warnings, neglect or related events.
- 3) Repair or modification of the Product has not been made or authorized by Definitive Technology.
- 4) The product has been improperly installed or used.

Product must be returned (insured and prepaid), together with the original dated proof of purchase to the Authorized Dealer from whom the Product was purchased, or to the nearest Definitive factory service center.

Product must be shipped in the original shipping container or its equivalent. Definitive is not responsible or liable for loss or damage to Product in transit.

THIS LIMITED WARRANTY IS THE ONLY EXPRESS WARRANTY THAT APPLIES TO YOUR PRODUCT. DEFINITIVE NEITHER ASSUMES NOR AUTHORIZES ANY PERSON OR ENTITY TO ASSUME FOR IT ANY OTHER OBLIGATION OR LIABILITY IN CONNECTION WITH YOUR PRODUCT OR THIS WARRANTY. ALL OTHER WARRANTIES, INCLUDING BUT NOT LIMITED TO EXPRESS, IMPLIED, WARRANTY OF MERCHANTABILITY OR FITNESS FOR A PARTICULAR PURPOSE, ARE EXPRESSLY EXCLUDED AND DISCLAIMED TO THE MAXIMUM EXTENT ALLOWED BY LAW. ALL IMPLIED WARRANTIES ON PRODUCT ARE LIMITED TO THE DURATION OF THIS EXPRESSED WARRANTY. DEFINITIVE HAS NO LIABILITY FOR ACTS OF THIRD PARTIES. DEFINITIVE'S LIABILITY, WHETHER BASED ON CONTRACT, TORT, STRICT LIABILITY, OR ANY OTHER THEORY, SHALL NOT EXCEED THE PURCHASE PRICE OF THE PRODUCT FOR WHICH A CLAIM HAS BEEN MADE. UNDER NO CIRCUMSTANCE WILL DEFINITIVE BEAR ANY LIABILITY FOR INCIDENTAL, CONSEQUENTIAL OR SPECIAL DAMAGES. THE CONSUMER AGREES AND CONSENTS THAT ALL DISPUTES BETWEEN THE CONSUMER AND DEFINITIVE SHALL BE RESOLVED IN ACCORDANCE WITH CALIFORNIA LAWS IN SAN DIEGO COUNTY, CALIFORNIA. DEFINITIVE RESERVES THE RIGHT TO MODIFY THIS WARRANTY STATEMENT AT ANY TIME.

Some states do not allow the exclusion or limitation of consequential or incidental damages, or implied warranties, so the above limitations may not apply to you. This warranty gives you specific legal rights, and you may also have other rights which vary from state to state.

©2016 DEI Sales Co. All rights reserved.

AVERTISSEMENTS DE SÉCURITÉ



CAUTION! AVERTISSEMENT! Pour réduire le risque de choc électrique et de feu, n'enlevez pas le couvercle ou la plaque arrière de cet appareil. Il n'y a pas de pièce utilisable par l'utilisateur à l'intérieur. Veuillez consulter un technicien agréé pour toute réparation. Avis: Risque de choc électrique, ne pas ouvrir.

AVERTISSEMENT! Le symbole international d'un éclair à l'intérieur d'un triangle est conçu pour alerter l'utilisateur d'une tension dangereuse non isolée à l'intérieur du caisson de l'appareil. Le symbole international d'un point d'exclamation à l'intérieur d'un triangle est conçu pour aviser l'utilisateur de la présence d'une information importante d'opération, de maintenance et de réparation dans le manuel qui accompagne l'appareil.

AVERTISSEMENT! Pour éviter les risques de chocs électriques, introduisez la lame la plus large de la fiche dans la fente la plus large de la prise et poussez jusqu'au fond.

AVERTISSEMENT! Pour éviter les risques de chocs électriques, n'exposez pas cet équipement à la pluie ou à l'humidité.

1. LISEZ LES INSTRUCTIONS — Toutes les instructions de sécurité et d'opération doivent être lues avant d'utiliser l'appareil.
2. CONSERVEZ LES INSTRUCTIONS — Les instructions de sécurité et d'opération doivent être conservées pour référence ultérieure.
3. TENEZ COMPTE DES AVERTISSEMENTS — Tous les avertissements sur cet appareil et dans les instructions d'opération doivent être suivis.
4. SUIVEZ LES INSTRUCTIONS — Toutes les instructions d'opération et de sécurité doivent être suivies.
5. EAU ET HUMIDITÉ — L'appareil ne doit jamais être utilisé dans ou près de l'eau car il y a risque de choc fatal.
6. AÉRATION — L'appareil doit toujours être placé de manière à être bien aéré. Il ne doit jamais être placé dans une installation intégrée ou dans tout endroit qui peut entraver le flux d'air à travers son puits thermique.
7. CHALEUR — Ne placez jamais l'appareil près de toute source de chaleur telle des appareils de chauffage, des grilles de soufflage, des poêles ou tout autre appareil produisant de la chaleur.

8. ALIMENTATION — L'appareil doit être connecté uniquement à une alimentation du type décrit dans les instructions d'opération ou tel qu'indiqué sur l'appareil.
9. PROTECTION DU CORDON D'ALIMENTATION — Les cordons d'alimentation doivent être acheminés de manière à ne pas être piétinés ou écrasés par des objets placés sur eux ou contre eux. Une attention spéciale doit être apportée aux endroits où la fiche entre dans une prise ou une bande dénudée et où le cordon sort de l'appareil.
10. NETTOYAGE — L'appareil doit être nettoyé selon les instructions du fabricant. Nous recommandons l'utilisation d'un rouleau adhésif ou d'un plumeau pour nettoyer le tissu protecteur.
11. PÉRIODES DE NON UTILISATION — L'appareil devrait être débranché lorsqu'il n'est pas utilisé pour une longue durée.
12. ENTRÉE DANGEREUSE — Portez attention à ce qu'aucun objet ou liquide ne tombe ou soit renversé à l'intérieur de l'appareil.
13. DOMMAGE NÉCESSITANT UNE RÉPARATION — L'appareil doit être réparé par un technicien agréé lorsque :
 - La fiche ou le cordon d'alimentation a été endommagé.
 - Des objets sont tombés ou un liquide a été renversé à l'intérieur de l'appareil.
 - L'appareil a été exposé à l'humidité.
 - L'appareil ne semble pas fonctionner correctement ou a un changement de performance.
 - L'appareil a été échappé ou le caisson est endommagé.
14. RÉPARATION — L'appareil doit toujours être réparé par un technicien agréé. Uniquement les pièces spécifiées par le fabricant doivent être utilisées. L'utilisation de pièces de substitutions non

ALIMENTATION

1. Le fusible et le dispositif de déconnexion de l'appareil sont situés à l'arrière du haut-parleur.
2. Le dispositif de déconnexion de l'appareil est le cordon d'alimentation, détachable du haut-parleur ou du mur.
3. Le cordon d'alimentation doit être déconnecté du haut-parleur avant la réparation.



Ce symbole sur votre produit ou sur son emballage indique qu'il est interdit en Europe de le jeter dans des poubelles domestiques. Afin de vous assurer de jeter correctement le produit, veuillez le jeter selon les lois et règlements locaux régissant les appareils et équipements électriques. Ainsi, vous contribuerez à la conservation des ressources naturelles et à la promotion de la protection environnementale par le traitement et la l'élimination des déchets.

Nous sommes heureux que vous fassiez partie de notre famille Definitive Technology.

Veuillez prendre quelques minutes pour enregistrer votre produit* afin que nous ayons un dossier complet de votre achat. Ainsi, nous pourrons mieux vous servir dans le futur. Cela nous permet également de vous contacter pour toute question de réparation ou de garantie (si nécessaire)

Enregistrez le produit à: <http://www.definitivetechology.com/registration>

Vous n'avez pas Internet? Téléphonez au service à la clientèle

Lundi au vendredi 9:h30 à 18 h É.-U. HE au 800-228-7148 (É.-U. et Canada), 01-410-363-7148 (et tous les autres pays)

Note: tles données que nous recueillons lors de l'enregistrement en ligne ne sont jamais vendues ou partagées à des tierces parties.

Note: the data we gather during online registration is never sold or distributed to third parties.

*Le numéro de série se retrouve à l'endos du manuel

Déballage de votre module d'élévation à haut-parleur A90

SVP déballer votre module d'élévation à haut-parleur A90 avec précaution. Nous vous recommandons de conserver la boîte et le matériel d'emballage au cas où vous devez déplacer ou expédier votre système. Il est important de conserver ce livret puisqu'il contient le numéro de série de votre produit. Vous pouvez également trouver le numéro de série à l'arrière de votre A90. Chaque haut-parleur quitte notre usine en parfaite condition. Tout dommage ou vice caché est probablement survenu lors de la manutention du produit après avoir quitté notre usine. Si vous constatez un dommage dû à l'expédition, SVP veuillez contacter votre détaillant Definitive Technology ou à la compagnie de transport qui a livré votre haut-parleur.

Accessoires inclus:

1. (2) Haut-parleurs A90

Branchement de votre module d'élévation à haut-parleur A90 à vos haut-parleurs BP9000

À l'aide de vos mains, appuyez doucement vers le bas à l'endos du panneau d'aluminium scellé magnétiquement du dessus de votre haut-parleur BP9000 (Figure 1). Mettez le panneau du dessus de côté et/ou entreposez-le en sûreté. Nous avons conçu vos haut-parleurs BP9000 afin de permettre une grande flexibilité. Vous pouvez donc garder le module A90 connecté en permanence ou l'enlever après chaque visionnement.

Alignez correctement le module d'élévation à haut-parleur A90 et placez sur le dessus de votre haut-parleur BP9000. Appuyez vers le bas doucement afin d'assurer une fermeture hermétique. Le port de connexion à l'intérieur s'assemble parfaitement avec le connecteur au dessous du module A90 (Figure 2).

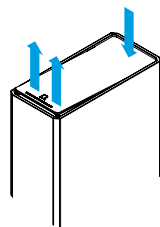


FIGURE 1 | Retirer le panneau du dessus en aluminium

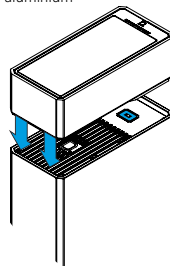
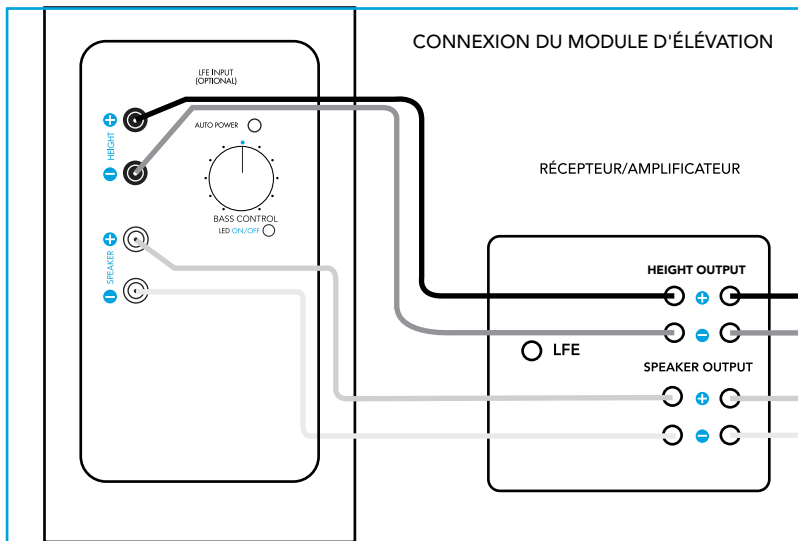


FIGURE 2 | Branchement A90

Connexion de votre module d'élévation A90

Raccordez maintenant le fil de haut-parleur à n'importe quelle borne d'amplificateur compatible Atmos ou DTS:X (souvent appelés HEIGHT) aux bornes du haut (appelés : HEIGHT) sur le dessous, à l'arrière de vos haut-parleurs BP9000. Soyez certain de raccorder le + au + et le – au –.



Note : Le module d'élévation à haut-parleur A90 pour vos haut-parleurs BP9000 requiert un amplificateur Dolby Atmos/DTS:X optimisé par du matériel source encodé Dolby Atmos/DTS:X. Visitez www.dolby.com ou www.dts.com pour plus d'information sur les titres disponibles.

Hauteur de plafond pour une expérience Dolby Atmos® ou DTS:X™ optimale

Il est important de savoir que le module A90 est un haut-parleur d'élevation qui fait rebondir le son du plafond à l'emplacement de visionnement. Avec cela en tête, votre plafond joue un rôle important dans l'expérience sonore.

Afin d'avoir la meilleure expérience Dolby Atmos ou DTS:X possible :

- Votre plafond devrait être plat
- Votre plafond devrait être fait en matériel permettant une réflexion acoustique (ex. : le gypse, le plâtre, le bois dur ou tout autre matériel qui n'absorbe pas le son.
- La hauteur de plafond idéale est d'entre 7.5 et 12 pieds
- La hauteur maximale recommandée est de 14 pieds

Recommandations quant aux réglages de l'amplificateur

Afin de vivre une expérience sonore révolutionnaire, vous devez avoir une façon de lire ou diffuser le contenu Dolby Atmos ou DTS:X.

Note: *SVP vous référer au manuel de l'utilisateur de votre amplificateur ou récepteur pour des instructions complètes ou contactez-nous par téléphone.*

Options pour lire ou diffuser le contenu

1. Vous pouvez lire le contenu Dolby Atmos ou DTS:X à partir d'un disque Blu-ray Disc à l'aide d'un lecteur Blu-ray existant. Assurez-vous d'avoir un lecteur totalement conforme aux spécifications Blu-ray.

Ou

2. Vous pouvez diffuser du contenu à partir d'une console de jeu, d'un Blu-ray, ou d'un lecteur de flux compatible. Dans les deux cas, assurez-vous de régler la sortie de votre lecteur à bitstream.

Note: *Dolby Atmos et DTS:X sont compatibles avec les spécifications HDMI® actuelles (v1.4 et ultérieure). Pour plus d'information, visitez www.dolby.com ou www.dts.com.*

Maximiser votre nouveau cinéma maison

Même s'il est certifié Dolby Atmos ou DTS:X le contenu sera optimisé sur votre nouveau système. Presque n'importe quel contenu peut être amélioré grâce à l'ajout de vos modules d'élévation A90. Par exemple, presque tous les récepteurs et amplificateurs Dolby Atmos comporte une fonction Dolby surround qui adapte automatiquement le signal traditionnel basé sur les canaux aux nouvelles capacités améliorées de votre système incluant vos modules d'élévation A90. Cela permet d'assurer que vous entendiez un son réaliste et immersif tri-dimensionnel peu importe ce que vous lisez. SVP vous référer au manuel de l'utilisateur de votre récepteur/amplificateur pour toute l'information.

A90

SPÉCIFICATIONS (CHACUN)

DIMENSIONS

3.75" H x 6" W x 13" D
(9.5 cm x 15.2 cm x 33 cm)

POIDS DU PRODUIT

6 lbs.

PILOTES COMPLÉMENTAIRES

(1) 4.5" Pilote, (1) 1" tweeter à dôme en aluminium

PILOTES COMPLÉMENTAIRES SYSTÈME CAISSON DE GRAVES

Aucune

RÉPONSE DE FRÉQUENCE

86Hz-40kHz

SENSIBILITÉ

89.5dB

IMPÉDANCE NOMINALE

8 ohms

PUISSANCE D'ENTRÉE RECOMMANDÉE

25-100W

PUISSANCE AMPLIFICATEUR INTERNE

Aucune

Assistance technique

Il nous fera plaisir de vous offrir de l'aide pour toute question au sujet du BP9000 ou de ses réglages. Veuillez contacter le marchand Definitive Technology, le plus près de chez-vous, ou téléphonez-nous directement au : 800-228-7148 (É.-U. et Canada), 01-410-363-7148 (pour tous les autres pays) ou par courriel : info@definitivetech.com. Le support technique est offert uniquement en anglais.

Réparation

La réparation et la garantie de vos haut-parleurs Definitive seront normalement traités par votre marchand local Definitive Technology. Cependant, si vous voulez nous retourner le haut-parleur, veuillez d'abord nous téléphoner pour nous décrire le problème, pour demander une autorisation, et l'emplacement du centre de service de l'usine le plus près. Veuillez noter que l'adresse inscrite dans ce livret est uniquement l'adresse de nos bureaux. Les haut-parleurs ne doivent, en aucun cas, être expédiés à nos bureaux ou retournés sans d'abord nous contacter pour obtenir une autorisation de retour.

Bureaux de Definitive Technology

1 Viper Way, Vista, CA 92081

Téléphone : 800-228-7148 (É.-U. et Canada), 01-410-363-7148 (pour tous les autres pays)

Dépannage

Si vous éprouvez des difficultés avec vos enceintes centrales BP9000, essayez les suggestions cidessous. Si vous éprouvez toujours des problèmes, contactez votre marchand autorisé Definitive Technology pour obtenir de l'aide.

1. La distorsion audible, lorsque les haut-parleurs sont à volume élevé, est causée parce que vous placez votre récepteur ou amplificateur plus fort que le récepteur ou que ce que les haut-parleurs sont capables de jouer. La plupart des récepteurs et des amplificateurs sortent leur puissance maximale avant que le contrôle du volume ne soit placé au plus haut, alors la position du contrôle du volume est un faible indicateur de sa limite de puissance. Si vos haut-parleurs font de la distorsion lorsque vous les faites jouer fort, baissez le volume!
2. Si vous éprouvez un manque des basses, c'est probablement qu'un haut-parleur est déphasé (polarité) avec l'autre et il doit être câblé de nouveau, avec plus d'attention, pour connecter le positif et le positif, le négatif et le négatif, sur les deux canaux. La plupart des câbles de haut-parleurs possèdent quelques indicateurs tels que: code de couleur, friction ou écrit) sur un des deux conducteurs, pour vous aider à maintenir la consistance. Il est essentiel de connecter de la même manière, les deux haut-parleurs à l'amplificateur (en phase). Vous pourriez également éprouver un manque de basse si le bouton du volume des basses est placé bas ou n'est pas allumé.
3. Assurez-vous que tout votre système soit interconnecté et que vos cordons d'alimentation soient solidement en place.
4. Si vous entendez un hum ou un bruit venant de vos haut-parleurs, tentez de connecter les câbles d'alimentation des haut-parleurs dans un autre circuit CA.
5. Le système possède un circuit de protection interne sophistiqué. Si, pour toute raison, le circuit de protection fait défaut, éteignez votre système et attendez cinq minutes avant de le rallumer. Si l'amplificateur intégré des haut-parleurs surchauffe, le système s'éteindra jusqu'à ce que l'amplificateur refroidisse et se réinitialise.
6. Vérifiez pour vous assurer que le cordon d'alimentation n'est pas endommagé.
7. Vérifiez qu'il n'y a pas d'objet étranger ou de liquide, à l'intérieur du caisson du haut-parleur.
8. Si vous ne pouvez allumer le pilote du caisson des graves ou si aucun son ne sort et que vous êtes certain que votre système est réglé adéquatement, veuillez apporter votre haut-parleur à votre marchand autorisé Definitive Technology pour obtenir de l'aide; veuillez téléphoner d'abord.

Garantie limitée

5 ans pour les pilotes et les caissons, 3 ans pour les composantes électroniques

DEI Sales Co., dba Definitive Technology (aux présentes, Definitive) garantit à l'acheteur original uniquement, que ce haut-parleur Definitive (le Produit) sera sans défaut de matériau et de fabrication, pendant une période de cinq (5) ans couvrant les pilotes et les caissons, et trois (3) ans pour les composantes électroniques, à compter de la date d'achat originale, d'un marchand Definitive autorisé. Si le Produit est défectueux de matériau ou de fabrication, Definitive ou son marchand autorisé, fera, à sa discrétion, réparer ou remplacera le Produit garanti, sans frais supplémentaire, sauf pour les raisons mentionnées ci-dessous. Toutes les pièces remplacées et les Produits deviennent la propriété de Definitive. Le Produit qui est réparé ou remplacé sous cette garantie vous sera retourné, dans un délai raisonnable, port dû. Cette garantie est non transférable et est annulée automatiquement si l'acheteur original vend, ou autrement, transfère le Produit à une autre partie. Cette garantie n'inclut pas la réparation ou les pièces pour réparer les dommages causés par accident, mauvaise utilisation, abus, négligence, emballage inadéquat ou mauvais moyen d'expédition, utilisation commerciale, tension excessive de la tension maximale évaluée pour l'appareil, apparence cosmétique du caisson non attribuable directement aux défauts de matériau ou de fabrication. Cette garantie ne couvre pas l'élimination de la statique ou du bruit générés extérieurement, la correction de problèmes d'antenne ou une faible réception. Cette garantie ne couvre pas les coûts de la main-d'oeuvre ou les dommages au Produit causés par l'installation ou le retrait du Produit. Definitive Technology ne garantit pas les Produits achetés des marchands ou des points de vente, autres que les marchands autorisés Definitive Technology

CETTE GARANTIE EST AUTOMATIQUEMENT ANNULÉE SI:

- 1) Le Produit a été endommagé, altéré de toute manière, mal manipulé pendant le transport ou trafiqué.
- 2) Le Produit est endommagé dû à un accident, un feu, une inondation, une utilisation déraisonnable, une mauvaise utilisation, un abus, des produits nettoyants appliqués par le client, le défaut d'observer les avertissements des fabricants, la négligence ou des événements liés.
- 3) La réparation ou la modification du Produit n'a pas été faite ou autorisée par Definitive Technology.
- 4) Le Produit n'a pas été installé ou utilisé correctement.

Le produit doit être retourné (assuré et prépayé) avec la preuve d'achat original datée au détaillant autorisé où le Produit a été acheté ou au centre de service Definitive le plus près. Le Produit doit être expédié dans le contenant d'expédition original ou un équivalent. Definitive n'est pas responsable de toute perte ou de tout dommage causé au Produit en transit.

LA GARANTIE LIMITÉE EST LA SEULE GARANTIE EXPRESSE QUI S'APPLIQUE À VOTRE PRODUIT. DEFINITIVE N'ASSUME NI N'AUTORISE TOUTE PERSONNE OU ENTITÉ À ASSUMER EN SON NOM TOUTE OBLIGATION OU RESPONSABILITÉ EN LIEN AVEC VOTRE PRODUIT OU CETTE GARANTIE. TOUTE AUTRE GARANTIE, INCLUANT MAIS NE S'Y LIMITANT PAS, EXPRESSE, IMPLICITE, GARANTIE DE COMMERCIALISATION OU D'ADAPTATION À UNE FIN PARTICULIÈRE, SONT EXPRESSÉMENT EXCLUES DANS LES LIMITES MAXIMALES PERMISES PAR LA LOI. TOUTES LES GARANTIES TACITES DU PRODUIT SONT LIMITÉES À LA DURÉE DE CETTE GARANTIE EXPRESSE. DEFINITIVE N'A AUCUNE RESPONSABILITÉ POUR LES ACTES DES TIERCES PARTIE. LA RESPONSABILITÉ DE DEFINITIVE, QU'ELLE SOIT BASÉE SUR UN CONTRAT, UN DÉLIT, UNE RESPONSABILITÉ STRICTE, OU TOUTE AUTRE THÉORIE, NE DOIT PAS DÉPASSER LE PRIX D'ACHAT DU PRODUIT QUI FAIT L'OBJET D'UNE RÉCLAMATION. EN AUCUN CAS, DEFINITIVE N'ASSUME LA RESPONSABILITÉ ACCESSOIRE, CONSÉCUTIVE OU LES DOMMAGES SPÉCIAUX. LE CLIENT ACCEPTE ET CONSENT QUE TOUTE DISPUTE ENTRE LE CLIENT ET DÉFINITIVE SERA RÉGLÉ SELON LES LOIS DE LA CALIFORNIE, DANS LE COMTÉ DE SAN DIEGO, EN CALIFORNIE. DEFINITIVE SE RÉSERVE LE DROIT DE MODIFIER CETTE DÉCLARATION DE GARANTIE EN TOUT TEMPS.

Certains États ne permettent pas l'exclusion ou la limitation de dommages accessoires ou consécutifs, ou les garanties tacites, alors les limites ci-dessous peuvent ne pas s'appliquer à vous. Cette garantie vous accorde des droits juridiques et il est possible que vous ayez également d'autres droits qui varient d'un État à un autre.

©2016 DEI Sales Co. Tous droits réservés

PRECAUCIONES DE SEGURIDAD



¡PRECAUCIÓN! Para reducir el riesgo de choque eléctrico e incendio, no retire la cubierta ni la placa posterior de este dispositivo. No hay piezas que el usuario pueda reparar. Consulte todas las reparaciones a efectuar con técnicos de servicio autorizados. Avis: Risque de choc électrique, ne pas ouvrir.

¡PRECAUCIÓN! El símbolo internacional de un rayo dentro de un triángulo pretende alertar al usuario de que existe un "voltaje peligroso" en el interior del dispositivo. El símbolo internacional de un signo de exclamación dentro de un triángulo pretende alertar al usuario de la presencia de información importante sobre el funcionamiento, mantenimiento y reparación en el manual que acompaña al dispositivo.

¡PRECAUCIÓN! Para evitar descargas eléctricas, haga coincidir la pala ancha del enchufe con la ranura más amplia e introdúzcala hasta el fondo. Attention: Pour éviter les chocs électriques, introduire la lame la plus large de la fiche dans la borne correspondante de la prise et pousser jusqu'au fond.

¡PRECAUCIÓN! Para reducir el riesgo de descarga eléctrica, no exponga este equipo a la lluvia o la humedad.

1. LEA LAS INSTRUCCIONES—Debería leer todas las instrucciones de seguridad y funcionamiento antes de utilizar el dispositivo.
2. GUARDE LAS INSTRUCCIONES—Las instrucciones de seguridad y operación deben conservarse para futuras referencias.
3. ADVERTENCIAS—Debería hacer caso de todas las advertencias sobre el aparato presentes en las instrucciones de operación.
4. SIGA LAS INSTRUCCIONES—Se deben seguir todas las instrucciones de funcionamiento y seguridad.
5. AGUA Y HUMEDAD—El dispositivo no debe usarse nunca en, sobre o cerca del agua para evitar el riesgo de una descarga fatal.
6. VENTILACIÓN—El dispositivo siempre se debe colocar de tal manera que mantenga una ventilación adecuada. Nunca debe colocarse en una instalación integrada o en cualquier otro lugar que impida el flujo de aire a través de su disipador de calor.
7. CALOR—Nunca coloque el aparato cerca de fuentes de calor tales como radiadores, suelo radiante, estufas u otros aparatos generadores de calor.
8. FUENTE DE ALIMENTACIÓN—El aparato sólo se debe conectar a una fuente de alimentación del tipo descrito en las instrucciones de funcionamiento o como se indica en el dispositivo.

9. PROTECCIÓN DEL CABLE DE ALIMENTACIÓN—Los cables de alimentación deben colocarse de forma que reduzcan la posibilidad de ser pisados o aplastados por objetos colocados sobre ellos o contra ellos. Se debe prestar especial atención a las zonas donde el enchufe entra en una toma de corriente o empalme y donde el cable salga del aparato.
10. LIMPIEZA—El dispositivo debe limpiarse de acuerdo con las instrucciones del fabricante. Si consigna de utilizarse un rullo anti-peluchi o uno spolverino da casa come panno per le griglie.
11. PERIODOS DE NO USO—El dispositivo debe desenchufarse si no se usa durante periodos largos de tiempo.
12. ACCESOS PELIGROSOS—Se debe tener cuidado de que no se caigan o derramen objetos extraños o líquidos en el interior del dispositivo.
13. DAÑOS QUE REQUIERAN SERVICIO TÉCNICO—El dispositivo debe ser reparado por técnicos autorizados cuando:
 - El cable de corriente o la fuente de alimentación hayan sido dañados.
 - Se hayan caído objetos o se haya derramado líquido en el interior del dispositivo.
 - El dispositivo haya sido expuesto a la humedad.
 - El dispositivo parezca no funcionar correctamente o muestre un acusado cambio de rendimiento.
 - El dispositivo se haya caído o su exterior esté dañado.
14. SERVICIO TÉCNICO—El dispositivo siempre debe ser reparado por técnicos autorizados. Sólo se deben usar las piezas de repuesto especificadas por el fabricante. El uso de repuestos no autorizados puede provocar incendios, descargas eléctricas u otros peligros.

Fuente de alimentación

1. El fusible y el dispositivo de desconexión de alimentación se encuentran en la parte posterior del altavoz.
2. El dispositivo de desconexión es el cable de alimentación, que se puede desconectar del altavoz o de la pared.
3. El cable de alimentación se debe desconectar del altavoz antes de realizar operaciones de servicio técnico.



Este símbolo en nuestros productos eléctricos o en su embalaje indica que está prohibido en Europa desechar el producto en cuestión como basura doméstica. Con el fin de garantizar que se deshaga de los productos correctamente, le rogamos que los trate de acuerdo con las leyes y reglamentos locales sobre la eliminación de equipos eléctricos y electrónicos. Al hacerlo, usted estará contribuyendo a la conservación de los recursos naturales y la promoción de la protección del medio ambiente a través del tratamiento y eliminación de residuos electrónicos.

Nos complace que ya forme parte de nuestra familia Definitive Technology.

Por favor, tómese unos minutos para registrar su producto* de modo que dispongamos de un registro completo de su compra. Hacerlo nos ayuda a servirle

lo mejor que podemos, tanto ahora como en el futuro. También nos permite contactar con usted para cualquier reparación o alerta de garantía (si es necesario).

Regístrese aquí: <http://www.definitivetechology.com/registration>

¿No tiene internet? Llame a Atención al Cliente

M-F 9:30 a.m. - 6 p.m. ET EE. UU. al (800) 228-7148 (EE. UU. y Canadá), 01 (410) 363-7148 (resto de países)

Nota: los datos que recopilamos durante el registro en línea no se venden ni se distribuyen a terceros.

** El número de serie se puede encontrar en la parte posterior del manual*

Desempaquetando su módulo de altavoz en elevación A90

Por favor, desempaquete su módulo de altavoz en elevación A90 con cuidado. Recomendamos guardar todos los cartones y materiales de embalaje para tenerlos disponibles en caso de que se mude o necesite empaquetar su producto. Es importante guardar este manual, ya que contiene el número de serie de su producto. También puede encontrar el número de serie en la parte posterior de su A90. Cada altavoz sale de nuestra fábrica en perfecto estado. Es probable que cualquier daño visible o encubierto se produzca durante la manipulación y envío tras salir de nuestra fábrica. Si usted descubre cualquier daño a causa del envío, por favor indíquese a su distribuidor de Definitive Technology o a la empresa que le entregó su altavoz.

Accesorios incluidos:

1. (2) Altavoces A90

Conectando el módulo de altavoz en elevación A90 a sus altavoces BP90000

Usando sus manos, presione con delicadeza en la parte posterior del panel superior sellado magnéticamente del altavoz BP9000 (Figura 1). Mantenga el panel superior apartado de manera temporal y/o guárdelo de manera segura. Hemos diseñado sus altavoces BP9000 con la mayor flexibilidad de diseño. De manera que no dude en mantener el módulo A90 conectado permanentemente, o quítelo tras completar cada experiencia de visualización.

Alinee y sitúe correctamente el módulo de altavoz en elevación A90 en la parte superior de su altavoz BP9000. Presione uniformemente para asegurar un sellado hermético. El puerto de conexión en el interior se ajusta perfectamente a la clavija situada en la parte inferior del módulo A90 (Figura 2).

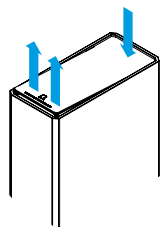


FIGURA 1 | Retirada del panel superior de aluminio

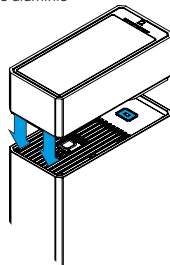
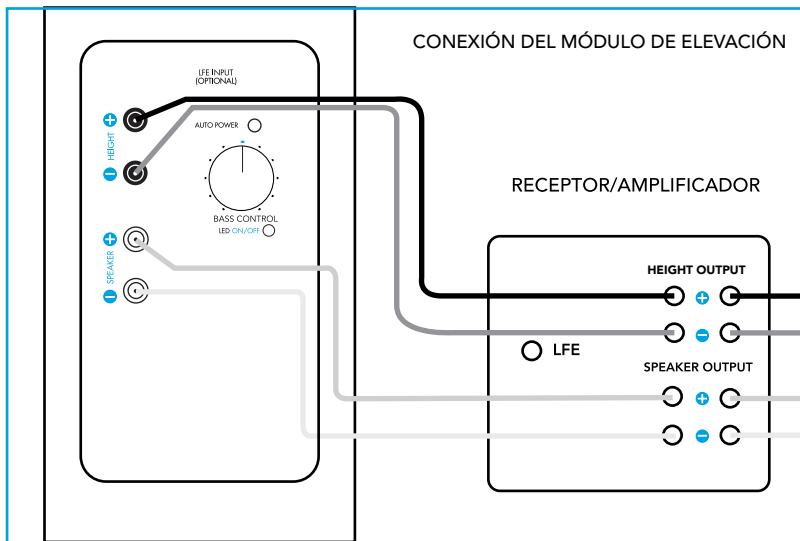


FIGURE 2 | Colocación del A90

Conectando su módulo de elevación A90

Ahora, tire un cable de altavoces desde un borne de cualquier receptor Atmos o DTS:X (normalmente nombrado como HEIGHT) hasta el conjunto superior de bornes (nombrados como HEIGHT) en la parte inferior de la parte de atrás de los altavoces BP9000. Asegúrese de unir + con +, y - con -.



Nota: El módulo de altavoces en elevación A90 para sus altavoces BP9000 requiere un receptor con Dolby Atmos/DTS:X, obteniéndose los mejores resultados con una fuente de sonido codificada con Dolby Atmos/DTS:X. Visite www.dolby.com o www.dts.com para más información acerca de los títulos disponibles.

Altura del techo para una experiencia óptima Dolby Atmos® o DTS:X™

Es importante saber que el módulo de elevación A90 es un altavoz en altura que hace rebotar el sonido desde el techo hacia su área de visualización. Con ello en mente, su techo tiene un papel importante en la experiencia.

Para conseguir la mejor experiencia Dolby Atmos o DTS:X posible:

- Su techo debería ser plano
- El material de su techo debería ser capaz de reflejar el sonido (algunos de los materiales que lo hacen son el pladur, yeso, madera u otros materiales rígidos sin capacidad de absorción del sonido)
- La altura ideal del techo debería estar entre los 7,5 y los 12 pies
- La altura máxima recomendada es de 14 pies

Recomendaciones para la configuración del receptor

Para experimentar cualquiera de las dos revolucionarias tecnologías de sonido, debe tener una manera de reproducir o recibir contenido Dolby Atmos o DTS:X.

Nota: *Spor favor, acuda al manual de usuario de su receptor/procesador para obtener instrucciones completas, o llámenos.*

Opciones para reproducir o recibir contenido

1. Puede reproducir contenido Dolby Atmos o DTS:X desde un disco Blu-ray a través de un reproductor de discos Blu-ray existente. Asegúrese de tener un reproductor que es totalmente compatible con las especificaciones de Blu-ray.

O

2. Puede recibir contenido desde una consola compatible, Blu-ray o reproductor de medios capaz de transmitir contenido. En cualquiera de ambos casos, asegúrese de configurar su reproductor para que su salida sea una secuencia de bits.

Nota: *Dolby Atmos y DTS:X son compatibles con la especificación HDMI® (v1.4 y posterior). Visite www.dolby.com o www.dts.com para más información*

Sacando el máximo partido a su nuevo Home Cinema

Aunque el contenido certificado Dolby Atmos o DTS:X dará el mayor rendimiento en su nuevo sistema, prácticamente cualquier contenido será mejorado con la adición de sus módulos de altura A90. Por ejemplo, prácticamente todos los receptores Dolby Atmos presentan una función de mezcla con Dolby Surround que adapta automáticamente cualquier señal tradicional basada en canales a la totalidad de la capacidad de su nuevo sistema, incluyendo sus módulos de altura A90. Esto permite que pueda escuchar un sonido tridimensional realista y envolvente sin importar qué es lo que está reproduciendo. Nota: por favor, acuda al manual de usuario de su receptor/procesador para obtener información completa.

A90

ESPECIFICACIONES (POR CADA UNIDAD)

DIMENSIONES

3.75" H x 6" W x 13" D
(9.5 cm x 15.2 cm x 33 cm)

PESO DEL PRODUCTO

6 libras.

COMPLEMENTO DEL TRANSDUCTOR

(1)) transductor de 4.5", (1) altavoz de agudos de cúpula de aluminio de 1"

COMPLEMENTO DEL TRANSDUCTOR DEL SISTEMA DE GRAVES

ninguno

RESPUESTA EN FRECUENCIA

86Hz-40kHz

SENSIBILIDAD

89.5dB

IMPEDANCIA NOMINAL

8 ohms

POTENCIA DE ENTRADA RECOMENDADA

25-100W

POTENCIA DEL AMPLIFICADOR INTERNO

ninguno

Asistencia técnica

Es un placer para nosotros poder ofrecerle ayuda si tiene alguna pregunta con respecto a su BP9000 o su configuración. Le rogamos que se ponga en contacto con su distribuidor Definitive Technology más cercano o se ponga en contacto con nosotros directamente al (800) 228-7148 (EE. UU. y Canadá), 01 (410) 363-7148 (resto de países) o por correo electrónico en info@definitivetech.com. La asistencia técnica se ofrece sólo en inglés.

Servicio técnico

El trabajo de servicio técnico y garantía en sus altavoces Definitive normalmente son llevados a cabo por su distribuidor Definitive Technology local. Sin embargo, si usted desea devolvernos el altavoz, por favor póngase en contacto con nosotros primero, describiendo el problema y solicitando una autorización, así como la ubicación del centro de servicio de fábrica más cercano. Tenga en cuenta que la dirección indicada en este folleto es únicamente la dirección de nuestras oficinas.

Bajo ninguna circunstancia debe enviarnos los altavoces a nuestras oficinas o devolverlos sin antes haberse puesto en contacto con nosotros y obtener la autorización de devolución.

Oficinas de Definitive Technology

1 Viper Way, Vista, CA 92081

Teléfono: (800) 228-7148 (EE. UU. y Canadá), 01 (410) 363-7148 (resto de países)

Resolución de problemas

Si tiene algún problema con sus altavoces de canal central BP9000, pruebe las siguientes sugerencias. Si todavía tiene problemas, póngase en contacto con su distribuidor autorizado Definitive Technology para obtener ayuda.

1. Se puede producir una distorsión audible cuando los altavoces reproducen a niveles altos al ajustar su receptor o amplificador más fuerte que la capacidad de reproducción máxima del receptor o los altavoces. La mayoría de receptores y amplificadores llegan al tope de su potencia nominal mucho antes de llegar al máximo en el control de volumen, por lo que la posición del control de volumen es un mal indicador de su límite máximo de potencia. Si sus altavoces distorsionan al reproducir a un volumen alto, ¡baje el volumen!
2. Si nota una ausencia de graves, es probable que uno de los altavoces esté fuera de fase (polaridad) con respecto al otro y deba ser reconectado prestando más atención a la conexión de positivo a positivo y negativo a negativo en ambos canales. La mayoría de cables de altavoces tiene algún indicador (como una codificación por colores, relieves o texto) sobre uno de los dos conductores para ayudarle a mantener la consistencia. Es esencial conectar ambos altavoces al amplificador de la misma manera (en fase). También puede experimentar ausencia de graves si el control de volumen está muy bajo o no activo.
3. Assurez-vous que tout votre système soit interconnecté et que vos cordons d'alimentation soient solidement en place.
3. Asegúrese de que todas las conexiones de su sistema sean firmes y los cables de alimentación estén firmemente en su lugar.
4. En caso de que escuche un zumbido o ruido procedente de los altavoces, intente conectar los cables de alimentación de los altavoces en un circuito de CA diferente al de su amplificador.
5. El sistema cuenta con sofisticados circuitos de protección interna. Si, por alguna razón, se dispara la circuitería de protección, apague el sistema y espere cinco minutos antes de volver a probarlo. Si el amplificador incorporado de los altavoces se sobrecalienta, el sistema se apagará hasta que el amplificador se enfríe.
6. Asegúrese de que su cable de alimentación no haya sido dañado.
7. Compruebe que no hayan entrado objetos extraños o líquido en el altavoz.
8. Si no puede encender el driver del subwoofer o si no sale ningún sonido, y tiene total seguridad de que el sistema está configurado correctamente, por favor, remita el altavoz a su distribuidor autorizado de Definitive Technology para más asistencia; se ruega llamar primero.

Garantía limitada:

5 años para los drivers y sus carcacas, 3 años para los componentes electrónicos

DEI Sales Co., dba Definitive Technology (en adelante, "Definitive") garantiza al comprador original que este altavoz de Definitive (el "Producto") estará libre de defectos en materiales y mano de obra por un periodo de cinco (5) años cubriendo los drivers y sus carcacas, y tres (3) años para los componentes electrónicos, a partir de la fecha de compra original a un distribuidor autorizado de Definitive. Si el producto es defectuoso en materiales o mano de obra, Definitive o su distribuidor autorizado, a su criterio, repararán o reemplazarán el producto garantizado sin coste adicional, excepto como se indica a continuación. Todas las piezas y Producto(s) reemplazados pasan a ser propiedad de Definitive. El producto reparado o reemplazado bajo esta garantía le será devuelto a usted, en un plazo razonable, a portes debidos. Esta garantía no es transferible y se anula de pleno derecho si el comprador original vende o transfiere el producto a cualquier otra parte. Esta garantía no incluye los servicios o piezas para reparar los daños causados por accidentes, mal uso, abuso, negligencia, procedimientos de embalaje o transporte inadecuados, uso comercial, tensión superior a la nominal máxima de la unidad o apariencia estética de la carcaca no directamente atribuibles a defectos en el material o la mano de obra. Esta garantía no cubre la eliminación de ruido o estática generados externamente, o la corrección de problemas de antena o recepción débil. Esta garantía no cubre los costes de mano de obra o daños en el producto causados por la instalación o la retirada del Producto. Definitive Technology no ofrece ninguna garantía con respecto a sus productos comprados a distribuidores o puntos de venta distintos de los distribuidores autorizados de Definitive Technology.

LA GARANTÍA SE ANULA AUTOMÁTICAMENTE SI:

- 1) El producto ha sido dañado, alterado de cualquier manera, mal manejo durante el transporte o manipulado.
- 2) El producto está dañado debido a un accidente, incendio, inundación, uso no razonable, uso indebido, abuso, productos de limpieza aplicados por el cliente, inobservancia de las advertencias de los fabricantes, negligencia u otras causas relacionadas.
- 3) La reparación o modificación del producto no se ha realizado o autorizado por parte de Definitive Technology.
- 4) El producto ha sido mal instalado o utilizado.

El producto debe ser devuelto (asegurado y prepago), junto con un comprobante de la fecha original de compra al distribuidor autorizado donde se compró el producto, o al centro de servicio de fábrica de Definitive más cercano. El producto debe ser enviado en el contenedor de envío original o uno equivalente. Definitive no se responsabiliza por la pérdida o daños del Producto en tránsito.

ESTA GARANTÍA LIMITADA ES LA ÚNICA GARANTÍA EXPRESA QUE SE APLICA A SU PRODUCTO. DEFINITIVE NO ASUME, NI AUTORIZA A PERSONA O ENTIDAD ALGUNAS A QUE ASUMAN, CUALQUIER OTRA OBLIGACIÓN O RESPONSABILIDAD EN RELACIÓN CON SU PRODUCTO O ESTA GARANTÍA. CUALQUIER OTRA GARANTÍA, INCLUYENDO PERO NO LIMITADO A, GARANTÍAS EXPRESAS, IMPLÍCITAS, DE COMERCIALIZACIÓN O IDONEIDAD PARA UN PROPÓSITO PARTICULAR, ESTÁN EXPRESAMENTE EXCLUIDAS Y

SE RENUNCIA A ELLAS EN LA MEDIDA MÁXIMA PERMITIDA POR LA LEY. TODAS LAS GARANTÍAS IMPLÍCITAS DEL PRODUCTO ESTÁN LIMITADAS A LA DURACIÓN DE ESTA GARANTÍA EXPRESA. DEFINITIVE NO TIENE RESPONSABILIDAD POR ACTOS DE TERCEROS. LA RESPONSABILIDAD DE DEFINITIVE, YA SEA POR CONTRATO, AGRAVIO, ESTRUCTA RESPONSABILIDAD O CUALQUIER OTRA TEORÍA, NO DEBERÁ EXCEDER EL PRECIO DE COMPRA DEL PRODUCTO PARA EL CUAL SE EFECTUÓ LA RECLAMACIÓN. DEFINITIVE NO SE HARÁ CARGO, BAJO NINGUNA CIRCUNSTANCIA, DE CUALQUIER RESPONSABILIDAD POR DAÑOS CONSECUENTES O ESPECIALES. EL CONSUMIDOR ACEPTA Y CONSIENDE QUE TODAS LAS DISPUTAS ENTRE EL CONSUMIDOR Y DEFINITIVE SE RESOLVERÁN DE ACUERDO CON LAS LEYES DE CALIFORNIA EN EL CONDADO DE SAN DIEGO, CALIFORNIA. DEFINITIVE SE RESERVA EL DERECHO DE MODIFICAR ESTA DECLARACIÓN DE GARANTÍA EN CUALQUIER MOMENTO.

Algunos estados no permiten la exclusión o limitación de daños indirectos o incidentales, o las garantías implícitas, por lo que las limitaciones anteriores podrían no aplicarse en su caso. Esta garantía le otorga derechos legales específicos, y usted también puede tener otros derechos que varían de estado a estado.

©2016 DEI Sales Co. Todos los derechos reservados.

SICHERHEITSVORKEHRUNGEN



ACHTUNG! Um eine Gefährdung durch elektrischen Schlag und Brand auszuschließen, entfernen Sie weder die Abdeckung noch die Hinterplatte dieses Gerätes. Im Inneren befinden sich keine durch den Benutzer zu wartenden Teile. Überlassen Sie die Wartung aller Teile qualifiziertem Servicepersonal. Hinweis: Nicht öffnen - Stromschlaggefahr! **ACHTUNG!** Das internationale elektrische Gefahrensymbol, dargestellt durch einen Blitz in einem ausgefüllten Dreieck, warnt den Anwender vor nicht isolierter, gefährlicher Spannung innerhalb des Systemgehäuses. Das internationale Symbol, dargestellt durch ein Ausrufezeichen in einem ausgefüllten Dreieck, weist den Benutzer auf wichtige Bedienungs- und Wartungsanleitungen im begleitenden Benutzerhandbuch hin.

ACHTUNG! Um einen elektrischen Schlag zu vermeiden, stecken Sie den breiten Kontakt des Steckers vollständig in den breiten Schlitz.

ACHTUNG! Um einen elektrischen Schlag zu vermeiden, setzen Sie das Gerät weder Regen noch Feuchtigkeit aus.

- 1. ANLEITUNGEN LESEN** - Vor der Geräteinbetriebnahme müssen alle Sicherheits- und Betriebsanleitungen gelesen werden.
- 2. ANLEITUNGEN AUFBEWAHREN** - Die Sicherheits- und Betriebsanleitungen müssen für späteren Gebrauch gut aufbewahrt werden.
- 3. WARNHINWEISE BEACHTEN** - Alle Warnhinweise auf dem
- 4. ANWEISUNGEN BEFOLGEN** - Alle Sicherheits- und Betriebsanleitungen müssen befolgt werden.
- 5. WASSER & FEUCHTIGKEIT** - Das Gerät darf nicht in oder in der Nähe von Wasser benutzt werden - es besteht Stromschlaggefahr mit tödlichen Folgen.
- 6. BELÜFTUNG** - Das Gerät muss sich an einem gut belüfteten Ort befinden. Es darf nicht in Einbaustationen oder Orten benutzt werden, die den Luftstrom durch seinen Kühlkörper behindern.
- 7. HITZE** - Stellen Sie das Gerät niemals in der Nähe von Wärmequellen wie Heizkörpern, Wärmespeichern, Öfen oder anderen Wärme erzeugenden Geräten auf.
- 8. STROMVERSORGUNG** - Das Gerät darf nur mit dem dafür vorgesehenen Netzteil betrieben werden - siehe Betriebsanleitung und Typenschild.
- 9. NETZKABELSCHUTZ** - Stromkabel müssen so verlegt werden, dass sie nicht betreten oder durch Gegenstände eingeklemmt werden können. Besondere Aufmerksamkeit erfordern Bereiche, in welchen der Stecker mit einer Steckdose oder Sicherungsleiste verbunden ist sowie Kabelaustrittsstellen am Gerät.

10. REINIGUNG - Das Gerät muss gemäß Herstellerangaben gereinigt werden. Wir empfehlen die Verwendung einer Fusselrolle oder eines haushälterischen Staubwedels bzw. Staubtuchs für das Säubern des Bespannstoffes.

11. NICHTNUTZUNGSZEITEN - Das Gerät sollte ausgesteckt werden, wenn es für längere Zeit nicht verwendet wird.

12. FREMDKÖRPERSCHADEN - Es dürfen keine Fremdkörper oder Flüssigkeiten in das Gerät gelangen.

13. REPARATURBEDÜRFTIGE SCHÄDEN - Das Gerät muss von Fachpersonal repariert werden, wenn:

- der Stecker oder das Netzkabel beschädigt ist.
 - Gegenstände oder Flüssigkeit ins Geräteinnere gelangt sind.
 - das Gerät Feuchtigkeit ausgesetzt wurde.
 - das Gerät nicht ordnungsgemäß zu funktionieren scheint oder Gerät und in der Betriebsanleitung müssen eingehalten werden. eine deutliche Betriebsänderung aufweist.
 - das Gerät fallengelassen wurde oder das Gehäuse beschädigt ist.
- 14. WARTUNG** - Die Gerätwartung darf ausschließlich von qualifiziertem Fachpersonal durchgeführt werden. Verwendete Ersatzteile müssen den Herstellerangaben entsprechen. Der Einsatz nicht zugelassener Ersatzteile kann zu Brand, Stromschlag und anderen Gefahren führen.

Stromversorgung

1. Die Sicherung und Stromtrennvorrichtung befinden sich auf der Rückseite des Lautsprechers.
2. Das Netzkabel ist die Trennvorrichtung und kann entweder vom Lautsprecher oder von der Wand getrennt werden.
3. Das Netzkabel muss vor Wartungsarbeiten vom Lautsprecher getrennt werden.

Dieses Symbol auf unserem Elektrogerät bzw. auf der Verpackung gibt an, dass es innerhalb Europas verboten ist, dieses Produkt als Haushaltsabfall zu entsorgen. Um das Produkt ordnungsgemäß zu entsorgen, ziehen Sie bitte die in Ihrer Region geltenden Verordnungen und Gesetze über die Entsorgung von Elektro- und Elektronikgeräten zu Rate. Damit tragen Sie zum Erhalt natürlicher Ressourcen und Umweltschutz.



Wir freuen uns, dass Sie ein Mitglied unserer Definitive-Technology-Familie geworden sind.

Bitte nehmen Sie sich einige Minuten Zeit und registrieren Sie Ihr Produkt*, damit wir Ihren Kauf in unsere Kundendatei aufnehmen. Dadurch können wir Ihnen jederzeit den besten Service zukommen lassen und Sie, falls erforderlich, über wichtige Wartungs- oder Garantiehinweise benachrichtigen.

Registrieren Sie sich hier: <http://www.definitivetech.com/registration>

Kein Internet? Rufen Sie den Kundendienst an!

Mo - Fr 09:30 - 18:00 US ET

unter (800) 228-7148 (USA & Kanada), 01 (410) 363-7148 (alle anderen Länder)

Nota: Daten, die wir während der Online-Registrierung erfassen, werden niemals an Dritte verkauft oder weitergegeben.

** Die Seriennummer finden Sie auf der Rückseite des Handbuchs*

Auspacken Ihres A90 Elevation Lautsprechermoduls

Bitte packen Sie Ihr A90 Elevation Lautsprechermodul vorsichtig aus. Falls Sie Ihr System einmal versenden oder damit umziehen müssen empfehlen wir, den Karton und die Verpackungsmaterialien aufzubewahren. Es ist wichtig, diese Broschüre aufzubewahren, da diese eine Seriennummer für Ihr Produkt enthält. Sie können die Seriennummer auch auf der Rückseite des A90 finden. Jeder Lautsprecher verlässt unser Werk in einwandfreiem Zustand. Sämtliche sichtbaren oder verdeckten Schäden sind wahrscheinlich im Zuge der Handhabung erfolgt, nach Verlassen unserer Fabrik. Wenn Sie Transportschäden entdecken, so melden Sie dies bitte Ihrem Vertragshändler von Definitive Technology oder der Firma, die Ihnen die Lautsprecher geliefert hat.

Accesorios incluidos:

1. (2) Lautsprecher A90

Anschließen des A90 Elevation Lautsprechermoduls an Ihren BP9000 Lautsprechern

Mit den Händen vorsichtig auf die Rückseite des magnetisch abgedichteten Aluminiumdeckels Ihres BP 9000 Lautsprechers nach unten drücken (*Abbildung 1*). Den oberen Deckel vorübergehend beiseite legen und/oder zur Aufbewahrung verstauen. Wir haben Ihre BP 9000 Lautsprecher für höchste Flexibilität konstruiert. Sie können also nach Belieben das A90-Modul fest installiert belassen oder nach jeder Anwendung wieder entfernen.

Das A90 Elevation Lautsprechermodul richtig innerhalb des oberen Abschnitts Ihres BP9000 Lautsprechers ausrichten. Nach unten drücken, um eine gleichmäßige Abdichtung zu gewährleisten. Der Steckverbinderanschluss an der Innenseite passt perfekt auf die Steckbuchse an der Unterseite des A90-Moduls (*Abbildung 2*).

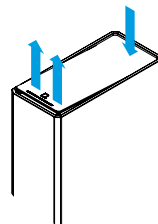


ABBILDUNG 1 | Entfernen der oberen Aluminiumblende

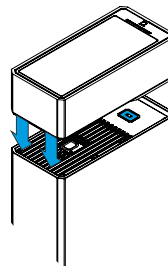
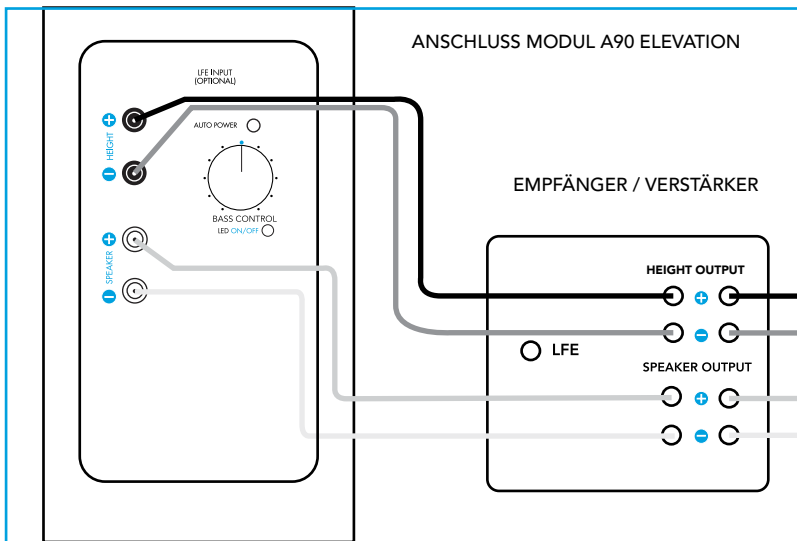


ABBILDUNG 2 | Anordnung des A90

Anschließen Ihres A90 Elevation Lautsprechermoduls

Jetzt das Lautsprecherkabel von den Kabelanschlüssen (häufig beschriftet mit „HEIGHT“) eines beliebigen, mit den Normen Dolby Atmos oder DTS:X kompatiblen Empfängers an den oberen Satz Kabelanschlüsse (Beschriftung: „HEIGHT“) anschließen. Diese befinden sich hinten an der Unterseite Ihrer Lautsprecher BP9000. Hierbei unbedingt jeweils + an + und – an – anschließen.



Hinweis: Das A90 Elevation Lautsprechermodul für Ihre BP9000 Lautsprecher erfordert einen mit den Normen Dolby Atmos/DTS:X kompatiblen Empfänger und entfaltet bei Wiedergabe von in Dolby Atmos/DTS:X kodiertem Quellenmaterial seine beste Leistung. Weitere Informationen über verfügbare Titel finden Sie auf www.dolby.com oder www.dts.com.

Deckenhöhe für optimales Klangerlebnis mit Dolby Atmos® oder DTS:X™

Es ist wichtig zu verstehen, dass es sich beim A90 Elevation Modul um einen Höhenlautsprecher handelt, dessen Klang von der Decke zurück auf den Wiedergabebereich der Videoausgabe reflektiert wird. Deshalb spielt die Decke Ihres Raumes für das Klangerlebnis eine wichtige Rolle.

Für das optimalste Klangerlebnis in Dolby Atmos oder DTS:X:

- ist ihre Decke idealerweise eine Ebene, d.h. nicht gewölbt
- sollte das Deckenmaterial akustisch reflektierend wirken (Beispiele für derartige Materialien sind Trockenbau, Gips, Hartholz oder andere feste, nicht schallabsorbierende Materialien)
- Ideale Deckenhöhe liegt zwischen 2,28 und 3,65 m (7,5 – 12')
- Maximale empfohlene Deckenhöhe beträgt 4,25 m (14')

Empfehlungen für Aufstellen und Einrichten des Empfängers

Für das Erlebnis beider Versionen revolutionärer Klangtechnologie müssen Sie Inhalte der Normen Dolby Atmos oder DTS:X wiedergeben können.

Hinweis: *Vollständige Anweisungen entnehmen Sie bitte der Betriebsanleitung Ihres Empfängers/Prozessors oder rufen Sie uns einfach an.*

Möglichkeiten für Wiedergabe oder Streaming von Inhalten

1. Sie können Inhalte der Normen Dolby Atmos oder DTS:X von einer Blu-Ray Disc über einen Blu-Ray Disc Spieler abspielen. Achten Sie darauf, dass Ihr Wiedergabegerät vollständig den technischen Anforderungen für Blu-Ray entspricht.

Oder

2. Sie können Inhalte von einer kompatiblen Blu-Ray Spielekonsole, oder einem Streaming-Mediaplayer als Streaming wiedergeben. Stellen Sie in beiden Fällen sicher, dass Ihr Spieler auf Bitstream-Ausgabe eingestellt ist.

Hinweis: *Dolby Atmos und DTS:X sind mit der aktuellen HDMI® Spezifikation (v1.4 und höher) kompatibel. Für weitere Informationen besuchen Sie bitte www.dolby.com oder www.dts.com.*

Holen Sie aus Ihrem neuen Unterhaltungszentrum die maximale Leistung heraus

Zertifizierte Inhalte der Normen Dolby Atmos oder DTS:X werden auf Ihrem neuen System in maximaler Qualität wiedergegeben, jedoch können jegliche Inhalte unter Hinzufügen des A90 Elevation Moduls verbessert werden. Zum Beispiel verfügen nahezu alle Dolby Atmos Empfänger über eine Dolby-Surround-Hochmischer-Funktion, die automatisch alle traditionellen kanalbasierten Signale an die neuen, umfangreichen Fähigkeiten des Systems anpasst, einschließlich Ihrer A90 Elevation Lautsprechermodule. Dies stellt sicher, dass Sie realistischen und raumdurchflutend dreidimensionalen Klang erleben, ungeachtet des wiedergegebenen Genres oder Audiotyps. Vollständige Informationen finden Sie in der Betriebsanleitung Ihres Empfängers / Prozessors.

A90

TECHNISCHE DATEN (JEWEILS)

| | |
|-------------------------------------|--|
| ABMESSUNGEN | 3.75" H x 6" W x 13" D (9.5 cm x 15.2 cm x 33 cm) |
| PRODUKTGEWICHT | 6 libras. |
| ZUSATZTREIBER | (1) Treiber 4.5", (1) Aluminium-Dom-Hochtöner 1" |
| SUBWOOFER SYSTEMS DRIVER COMPLEMENT | keine |
| FREQUENZREAKTION | 86Hz-40kHz |
| EMPFINDLICHKEIT | 89.5dB |
| IMPEDANZ NENNWERT | 8 ohms |
| EMPFOLLENE EINGANGSLEISTUNG | 25-100W |
| INTERNE VERSTÄRKERLEISTUNG | keine |

Technische Unterstützung

Bei Fragen zu Ihrem BP9000 (z.B. Einrichtung) sind wir Ihnen gerne behilflich. Bitte wenden Sie sich an einen Definitive-Technology-Händler in Ihrer Nähe oder rufen Sie uns direkt an: (800) 228-7148 (USA & Kanada), 01 (410) 363-7148 (alle anderen Länder). Sie können uns auch per E-Mail erreichen: info@definitivetech.com. Technische Unterstützung wird nur in englischer Sprache angeboten.

Service

Inspektionen und Garantiarbeiten an Ihren Definitive-Lautsprechern werden üblicherweise von Ihrem lokalen Definitive-Technology-Händler durchgeführt. Wenn Sie Ihre Lautsprecher wieder zurückbringen möchten, kontaktieren Sie uns bitte vorher, um das Problem zu beschreiben, eine Rücksendegenehmigung einzuholen und sich nach der richtigen Adresse des nächstgelegenen Werkskundendienstes zu erkundigen. Beachten Sie, dass die in diesem Handbuch aufgeführte Adresse lediglich unseren Geschäftssitz angibt. Lautsprecher dürfen unter keinen Umständen an unseren Geschäftssitz versandt werden. Die Geräte dürfen nicht retourniert werden, ohne dass wir vorher kontaktiert worden sind und eine Rücksendegenehmigung erteilt haben.

Definitive Technology Niederlassungen

1 Viper Way, Vista, CA 92081

Telefon: (800) 228-7148 (USA & Kanada), 01 (410) 363-7148 (alle anderen Länder)

Fehlerbehebung

Sollten Probleme bei Ihrem B9000 Center-Lautsprecher auftreten, versuchen Sie, diese mit Hilfe der nachfolgenden Vorschläge zu beheben. Sollten die Probleme weiterhin bestehen, kontaktieren Sie bitte Ihren Definitive-Technology-Vertragshändler, wo man Ihnen gerne weiterhilft.

1. Hörbare Verzerrungen können auftreten, wenn die Lautsprecher mit hoher Lautstärke betrieben werden. Dies wird dadurch verursacht, dass der Receiver oder Verstärker lauter eingestellt wird, als die Lautsprecher wiederzugeben imstande sind. Die meisten Receiver und Verstärker laufen auf voller Nennleistung, noch weit bevor der Lautstärkepegel das Maximum erreicht. Die Position des Lautstärkereglers ist also kein zuverlässiger Indikator für die Leistungsgrenze. Wenn Ihre Lautsprecher bei hoher Lautstärke den Klang verzerren, reduzieren Sie die Lautstärke!
2. Wird kein Bass wiedergegeben, ist wahrscheinlich ein Lautsprecher nicht mehr in Phase (Polarität) mit dem anderen. Es ist eine erneute Verkabelung notwendig, wobei bei beiden Kanälen zu beachten ist, Plus mit Plus und Minus mit Minus zu verbinden. Die meisten Lautsprecherkabel verfügen auf einer Leitung über eine entsprechende Kennzeichnung (Farbkodierung, Rippung, Beschriftung). Es ist wichtig, beide Lautsprecher in gleicher Weise (in Phase) mit dem Verstärker zu verbinden. Zu einem Bassmangel kann es auch dann kommen, wenn der Bassregler komplett heruntergedreht oder ausgeschaltet ist.
3. Vergewissern Sie sich, dass all Ihre Systemverbindungen und Stromkabel fest in ihren jeweiligen Anschlussstellen sitzen.
4. Kommt es zu einem Brummen oder Rauschen aus den Lautsprechern, verbinden Sie die Netzkabel Ihres Lautsprechers mit einem anderen Wechselstrom-Schaltkreis als Ihren Verstärker.
5. Das System verfügt über hochentwickelte integrierte Schutzschaltungen. Sollte die Schutzschaltung ausgelöst werden, schalten Sie das System aus und warten Sie 5 Minuten, bevor Sie es wieder anschalten. Sollte der eingebaute Verstärker des Lautsprechers überhitzen, schaltet sich das System aus. Wenn der Verstärker abgekühlt ist, schaltet sich das System erneut ein.
6. Überprüfen Sie, ob das Stromkabel beschädigt ist.
7. Vergewissern Sie sich, dass keine Fremdobjekte oder Flüssigkeit in das Lautsprechergehäuse gelangt sind.
8. Wenn Sie den Subwoofer-Treiber nicht zum Laufen bringen oder es keine Tonwiedergabe gibt und Sie sicher sind, dass das System ordnungsgemäß eingerichtet wurde, bringen Sie Ihren Lautsprecher bitte zu Ihrem Definitive-Technology-Vertragshändler für weitere Hilfe. Rufen Sie vorher bitte an.

Beschränkte Garantie:

5 Jahre für Treiber und Gehäuse, 3 Jahre für elektronische Komponenten

DEI Sales Co., dba Definitive Technology (hier „Definitive“) garantiert nur dem Erstkäufer, dass dieser Definitive-Lautsprecher (das „Produkt“) ab dem Datum des Kaufs bei einem Definitive-Vertragshändler frei von Material- und Verarbeitungsfehlern ist. Diese Garantie beläuft sich bei Treibern und Gehäuse des Produktes auf fünf (5) Jahre, bei elektronischen Komponenten auf drei (3) Jahre. Falls das Produkt Material- oder Verarbeitungsfehler aufweist, wird Definitive oder sein Vertragshändler das Produkt nach eigenem Ermessen kostenlos reparieren oder ersetzen, soweit im Folgenden nicht anders angegeben. Alle ersetzten Teile und das Produkt werden zum Eigentum von Definitive. Das im Rahmen dieser Garantie reparierte oder ersetzte Produkt wird nach angemessener Zeit an Sie zurückgesandt, wobei die Versandkosten von Ihnen übernommen werden. Diese Garantie ist nicht übertragbar und verliert automatisch ihre Gültigkeit, wenn der Erstkäufer das Produkt verkauft oder es anderweitig an Dritte übergibt. Diese Garantie umfasst keine Reparatur von Teilen, die durch Unfall, falsche Benutzung, Missbrauch, Nachlässigkeit, ungeeignete Verpackung und Versandverfahren, kommerzielle Nutzung, Überspannung beschädigt wurden oder deren Außenbild nicht direkt auf Material- oder Verarbeitungsfehler zurückzuführen ist. Diese Garantie deckt weder die Beseitigung von extern erzeugter Statik oder Geräuschen noch die Korrektur von Antennenproblemen oder Empfangsschwäche. Diese Garantie deckt weder Arbeitskosten noch durch Installation/Deinstallation entstandene Produktschäden. Von der Garantie ausgeschlossen sind Produkte, die bei anderen als den von Definitive Technology autorisierten Fachhändlern erworben wurden.

DIE GARANTIE ERLISCHT IN FOLGENDEN FÄLLEN:

- 1) Das Produkt wurde beschädigt, modifiziert, beim Transport falsch gehandhabt oder manipuliert.
- 2) Das Produkt wurde durch Unfall, Brand, Überschwemmung, unangemessenen Gebrauch, Missbrauch, Reinigung durch den Kunden, Mischung von Herstellerhinweisen und ähnliche Ereignisse beschädigt.
- 3) Die Produktreparatur/-modifikation wurde nicht durch Definitive Technology autorisiert oder durchgeführt.
- 4) Das Produkt wurde nicht ordnungsgemäß installiert oder verwendet. Das Produkt muss (versichert und frachtfrei) zusammen mit der datierten

Das Produkt muss (versichert und frachtfrei) zusammen mit der datierten Originalrechnung an den Fachhändler zurückgesandt werden, bei welchem das Produkt erworben wurde, oder an den nächsten Definitive- Werkkundendienst. Das Produkt muss in der Originalverpackung oder einer gleichwertigen Verpackung verschickt werden. Definitive haftet nicht für einen Verlust oder Schäden des Produktes während des Transportes.

DIESE GARANTIE IST DIE EINZIGE AUSDRÜCKLICHE GARANTIE FÜR IHR PRODUKT. DEFINITIVE ÜBERNIMMT KEINERLEI VERPFLICHTUNGEN ODER VERANTWORTLICHKEITEN UND AUTORIZIERT KEINE DRITTEN ZUR ÜBERNAHME SOLCHER VERPFLICHTUNGEN IM ZUSAMMENHANG MIT IHREM PRODUKT ODER DIESER GARANTIE. ALLE ANDEREN GARANTIEEN, EINSCHLIESSLICH, ABER NICHT BESCHRÄNKT AUF, AUSDRÜCKLICHE ODER STILLSCHWEIGENDE GEWÄHRLEISTUNG BEZÜGLICH MARKTGÄNGIGKEIT SOWIE EIGNUNG FÜR EINEN BESTIMMTEN ZWECK, SIND AUSDRÜCKLICH AUSGESCHLOSSEN UND WERDEN IN VOLLEM GESETZLICH ZULÄSSIGEN UMFANG ABGELEHNT. ALLE STILLSCHWEIGENDEN GARANTIEEN FÜR DAS PRODUKT BESCHRÄNKEN SICH AUF DIE DAUER DIESER AUSDRÜCKLICHEN GARANTIE. DEFINITIVE HAFTET NICHT FÜR DIE HANDLUNGEN DRITTER. DIE HAFTUNG VON DEFINITIVE, OB BASIEREND AUF EINEM VERTRAG, UNERLAUBTER HANDLUNG, KAUSALHAFTUNG ODER ANDERER GRUNDLAGE, ÜBERSTEIGT NICHT DEN KAUFFREIS DES PRODUKTES, FÜR WELCHES ANSPRÜCHE ERHOHEN WERDEN. UNTER KEINEN UMFÄNDEN ÜBERNIMMT DEFINITIVE HAFTUNG FÜR ZUFÄLLIGE, SPEZIELLE ODER FOLGESCHÄDEN. DER VERBRÄUCHER STIMMT ZU, DASS ALLE STREITIGKEITEN ZWISCHEN DEM VERBRÄUCHER UND DEFINITIVE GEMÄSS DEN IN KALIFORNIA GELTENDEN GESETZEN IN SAN DIEGO COUNTY, KALIFORNIEN, BEILEGT WERDEN. DEFINITIVE BEHÄLT SICH DAS RECHT VOR, DIESE GARANTIEKLÄRUNG JEDERZEIT ZU ÄNDERN.

Da einige Staaten den Ausschluss oder die Beschränkung von Folge- und Nebenschäden sowie stillschweigenden Garantien verbieten, treffen die oben genannten Beschränkungen ggf. nicht auf Sie zu. Mit dieser Garantie erhalten Sie bestimmte Rechtsansprüche. Abhängig vom Staat könnten Ihnen noch anderweitige Rechte zustehen.

©2016 DEI Sales Co. Alle Rechte vorbehalten.

MISURE DI SICUREZZA



ATTENZIONE! Per ridurre il rischio di scosse elettriche e incendio, non fare rimuovere la copertura o la piastra posteriore del dispositivo. Non ci sono parti riparabili dall'utente all'interno. Per la manutenzione rivolgersi tecnici certificati per l'assistenza. Avviso: Pericolo di scossa elettrica. Non aprire.

ATTENZIONE! Il simbolo internazionale di un fulmine all'interno di un triangolo ha lo scopo di avvisare l'utente di una "tensione pericolosa" non isolata all'interno del dispositivo. Il simbolo internazionale di un punto esclamativo all'interno di un triangolo ha lo scopo di allertare l'utente della presenza di importanti istruzioni operative, di manutenzione e controllo nel manuale che accompagna il dispositivo.

ATTENZIONE! Per evitare le scosse elettriche, far corrispondere la lama grande della spina a più ampia, inserendola completamente.

ATTENZIONE! Per ridurre il rischio di scosse elettriche, non esporre questa apparecchiatura alla pioggia o all'umidità.

1. **LEGGERE LE ISTRUZIONI** – Tutte le istruzioni di sicurezza e di funzionamento devono essere lette prima di utilizzare il dispositivo.
2. **CONSERVARE LE ISTRUZIONI** – Le istruzioni di sicurezza e operative devono essere conservate per riferimento futuro.
3. **RISPETTARE LE AVVERTENZE** – Tutte le avvertenze sull'apparecchio e nelle istruzioni di funzionamento devono essere seguite fedelmente.
4. **SEGUIRE LE ISTRUZIONI** – Tutte le istruzioni operative e di sicurezza devono essere seguite.
5. **ACQUA E UMIDITÀ** – Il dispositivo non deve mai essere usato in, sopra o in prossimità di acqua per il rischio di scosse mortali.
6. **VENTILAZIONE** – Il dispositivo deve sempre essere situato in un modo tale da mantenere la corretta ventilazione. Non deve mai essere collocato in un'installazione interna o in qualunque posto in cui ci sia un impedimento al flusso di aria attraverso il suo dissipatore di calore.
7. **CALORE** – Non mettere mai il dispositivo in prossimità di fonti di calore come radiatori, sfiiati sul pavimento, stufe o altri dispositivi che generano calore.
8. **ALIMENTAZIONE** – Il dispositivo deve essere collegato solo ad un alimentatore del tipo descritto nelle istruzioni operative o come indicato sul dispositivo.

9. **PROTEZIONE DEL CAVO DI ALIMENTAZIONE** – I cavi di alimentazione devono essere messi in modo che non siano suscettibili di essere calpestati o schiacciati da oggetti posti su di loro o contro di loro. Attenzione speciale deve essere prestata alle zone in cui la spina entra in una presa di corrente o in un connettore a striscia e in cui il cavo esce dal dispositivo.
10. **PULIZIA** – Il dispositivo deve essere pulito secondo le istruzioni del produttore. Si consiglia di utilizzare un rullo anti-peluchi o uno spolverino da casa come panno per le griglie.
11. **PERIODI DI NON UTILIZZO** – Il dispositivo deve essere disconnesso quando non viene utilizzato per lunghi periodi di tempo.
12. **INGRESSO PERICOLOSO** – Si deve prestare attenzione affinché oggetti estranei o liquidi non cadano o penetrino all'interno del dispositivo.
13. **DANNI CHE RICHIEDONO RIPARAZIONE** – Il dispositivo deve essere riparato da tecnici certificati quando:
 - Il cavo di collegamento o di alimentazione è stato danneggiato.
 - Degli oggetti sono caduti o del liquido è stato versato all'interno del dispositivo.
 - Il dispositivo è stato esposto all'umidità.
 - Il dispositivo non sembra funzionare correttamente o presenta un evidente cambiamento nelle prestazioni.
 - Il dispositivo è caduto o il contenitore si è danneggiato.
14. **ASSISTENZA** – Il dispositivo deve sempre essere riparato da tecnici certificati. Devono essere usate solo parti di ricambio specificate dal produttore. L'uso non autorizzato di parti sostitutive può provocare incendi, urti o altri pericoli.

Alimentazione

1. Il fusibile e il dispositivo di disconnessione dell'alimentazione si trovano sul retro del diffusore.
2. Il dispositivo di disconnessione è il cavo di alimentazione, staccabile sia dal lato del diffusore che sulla presa a parete.
3. Il cavo di alimentazione deve essere scollegato dal diffusore prima di fare manutenzione.

Questo simbolo sui nostri prodotti elettrici o la loro confezione indica che è vietato in Europa eliminare il prodotto in questione come rifiuto domestico. Per garantire che i prodotti siano smaltiti correttamente, disporre dei prodotti secondo le leggi e normative locali relative allo smaltimento di apparecchiature elettriche ed elettroniche attrezzate. In tal modo si fornisce un contributo alla conservazione delle risorse naturali e alla promozione della tutela ambientale col trattamento e lo smaltimento dei rifiuti elettronici.



Nos complace que ya forme parte de nuestra familia Definitive Technology.

Siamo lieti che tu sia entrato a far parte della nostra famiglia Definitive Technology.

Dedica qualche minuto per registrare il prodotto* in modo che abbiamo un registro completo del tuo acquisto. Facendolo ci aiuti a servirti al meglio possibile ora e in futuro. Inoltre, ci permette di contattarti per qualsiasi manutenzione o avviso di garanzia (se richiesto).

Registrati qui: <http://www.definitivetech.com/registration>

Non hai internet? Chiama il Servizio Clienti

L-V 9:30-18:00 US ET allo (800) 228-7148 (USA e Canada), oppure 01 (410) 363-7148 (tutti gli altri paesi)

Nota: i dati che raccogliamo durante la registrazione online non sono mai venduti o distribuiti a terze parti.

**Il numero di serie si trova sul retro del manuale*

DApertura del modulo A90 Diffusore da Soffitto

Aprire il proprio modulo A90 diffusore da soffitto con attenzione. Consigliamo di conservare tutti i cartoni e i materiali di confezionamento nel caso in cui sia necessario spostarlo o spedirlo. È importante conservare questo opuscolo in quanto contiene il numero di serie del prodotto. Il numero di serie si trova anche sul retro del proprio A90. Ogni diffusore lascia la nostra fabbrica in perfette condizioni. Eventuali danni visibili o nascosti si sono verificati, con molta probabilità, dopo la partenza dalla nostra fabbrica. Nel caso riscontriate dei danni dovuti alla spedizione, siete pregati di segnalarli al vostro rivenditore Definitive Technology o all'azienda che vi ha consegnato il diffusore.

Accessori inclusi:

1. (2) Diffusori A90

Connettere il Modulo A90 Diffusore da Soffitto ai propri Diffusori BP9000

Usando le proprie mani, spingere gentilmente verso il basso il retro del pannello superiore del proprio diffusore BP9000 che è chiuso magneticamente (Figura 1). Mettere da parte temporaneamente il pannello superiore e/o mettere via per custodirlo al sicuro. Abbiamo progettato i vostri diffusori BP9000 per offrire il meglio nella flessibilità del design. Quindi, sentitevi liberi di tenere il modulo A90 connesso in maniera che sia permanente inserito, oppure di rimuoverlo al completamento di ogni utilizzo.

Allineare correttamente e inserire il modulo A90 diffusore da soffitto sulla parte superiore del proprio diffusore BP9000. Premere verso il basso in maniera uniforme per assicurare una tenuta stretta. La porta del connettore all'interno si accoppia in maniera perfetta con lo spinotto del connettore nel lato inferiore del modulo A90 (Figura 2).

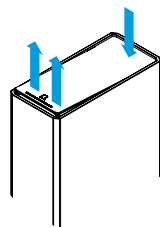


FIGURA 1 | Rimozione pannello superiore di alluminio

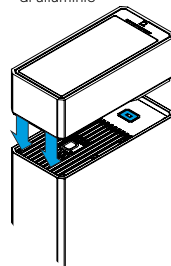
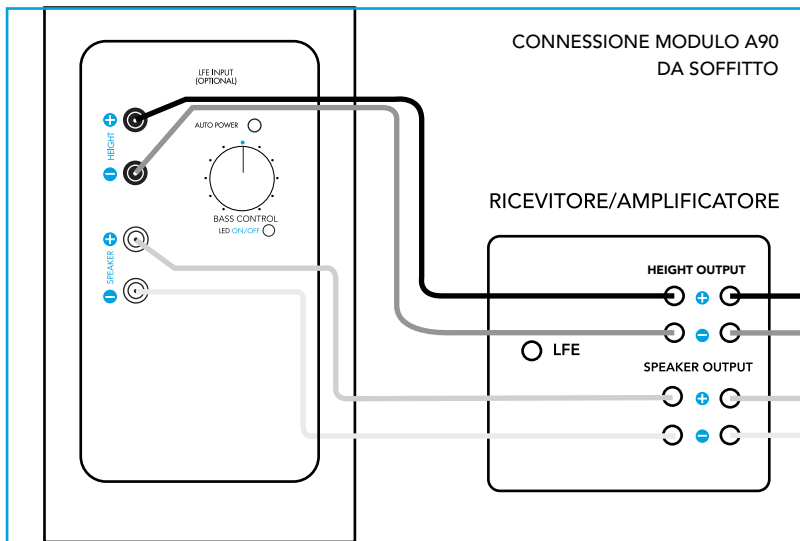


FIGURA 2 | Inserimento dell'A90

Connettere il proprio modulo A90 da soffitto

Ora connetti il cavo dello speaker dagli spinotti accoppiati di un ricevitore compatibile Atmos o DTS:X (spesso detto ALTEZZA) al set superiore di spinotti accoppiati (detti: ALTEZZA) sul basso del lato inferiore dei tuoi diffusori BP9000. Assicurati di far coincidere + con +, e - con -.



Nota: Il modulo A90 di diffusori da soffitto per i tuoi diffusori BP9000 richiede un ricevitore abilitato Dolby Atmos/DTS:X ed è sfruttato al meglio da materiale sorgente codificato in Dolby Atmos/DTS:X. Visita www.dolby.com o www.dts.com per maggiori informazioni sui titoli disponibili.

Altezza dal soffitto per un'esperienza Dolby Atmos® o DTS:X™ ottimale

È importante sapere che il modulo A90 da soffitto è un diffusore in altezza in cui il suono rimbalza dal soffitto e torna indietro nell'area di ascolto. Tenendo presente questo elemento, il proprio soffitto gioca un ruolo importante nell'esperienza.

Per ottenere la migliore esperienza Dolby Atmos o DTS:X possibile:

- Il proprio soffitto deve essere piatto
- Il materiale del proprio soffitto deve essere riflettente acusticamente (esempi di materiali sono: cartongesso, gesso, legno o altro materiale rigido, non fonoassorbente)
- L'altezza ideale del soffitto è fra 2,2 e 3,6 metri
- L'altezza massima raccomandata è di 4,2 metri

Raccomandazioni impostazioni ricevitore

Per provare una tecnologia sonora rivoluzionaria, è necessario avere un modo per riprodurre o mandare in streaming contenuti Dolby Atmos o DTS:X.

Nota: si suggerisce di fare riferimento al manuale utente del proprio ricevitore/processore per istruzioni complete, oppure di contattarci.

Opzioni per riprodurre o mandare in streaming dei contenuti

1. È possibile riprodurre contenuto Dolby Atmos o DTS:X da un disco Blu-ray attraverso un lettore attuale di Blu-ray. Assicurarsi di avere un lettore che è completamente aderente alle specifiche Blu-ray.

Oppure

2. È possibile effettuare lo streaming dei contenuti da una console da giochi, da un Blu-ray o da altro media player streaming compatibile. In entrambi i casi assicurarsi di impostare il proprio riproduttore con uscita bitstream.

Nota: Dolby Atmos e DTS:X sono compatibili con le attuali specifiche HDMI® (v1.4 e successiva). Per ulteriori informazioni, visitare www.dolby.com o www.dts.com.

Massimizzare il proprio nuovo Home Theater

Mentre i contenuti certificati Dolby Atmos o DTS:X saranno massimizzati nel tuo nuovo sistema, quasi ogni contenuto può essere migliorato con l'aggiunta del proprio modulo A90 da soffitto. Per esempio, quasi tutti i ricevitori Dolby Atmos hanno una funzione di upmixer Dolby surround che si adatta automaticamente ogni segnale tradizionale per canale alle nuove capacità complete del proprio sistema, inclusi i propri moduli A90 da soffitto. Questo assicura l'ascolto di sonoro tridimensionale realistico e immersivo qualunque cosa di stia riproducendo. Fare riferimento al manuale utente del proprio ricevitore/processore per istruzioni complete.

A90

CARATTERISTICHE TECNICHE (INDIVIDUALI)

DIMENSIONI

3.75" H x 6" W x 13" D
(9.5 cm x 15.2 cm x 33 cm)

PESO DEL PRODOTTO

6 libras.

ALTOPARLANTE AGGIUNTIVO

(1) driver da 4,5", (1) tweeter da 1" con cupola in alluminio

ALTOPARLANTE AGGIUNTIVO SISTEMA SUBWOOFER

nessuno

RISPOSTA IN FREQUENZA

86Hz-40kHz

SENSIBILITÀ

89.5dB

IMPEDENZA NOMINALE

8 ohms

POTENZA IN INGRESSO RACCOMANDATA

25-100W

AMPLIFICATORE DI POTENZA INTERNO

nessuno

Assistenza tecnica

È nostro piacere offrire assistenza in caso di domande riguardanti il tuo BP9000 o la sua installazione. Contatta il più vicino rivenditore di Definitive Technology e telefona direttamente al (800) 228-7148 (USA e Canada), oppure al 01 (410) 363-7148 (tutti gli altri paesi) oppure invia una email info@definitivetech.com. Il supporto tecnico è offerto solo in inglese.

Assistenza

L'assistenza e gli interventi in garanzia sui tuoi diffusori della Definitive saranno di norma effettuati dal tuo rivenditore locale Definitive Technology. Se, tuttavia, desideri rimandarci il diffusore, contattaci prima, descrivendo il problema e richiedendo l'autorizzazione nonché la posizione del più vicino centro di assistenza. Considera che l'indirizzo riportato in questo opuscolo è solo l'indirizzo dei nostri uffici. In nessun caso i diffusori possono essere spediti ai nostri uffici o restituiti senza averci prima contattato ed aver ottenuto l'autorizzazione alla restituzione.

Uffici della Definitive Technology

1 Viper Way, Vista, CA 92081

Telefono: (800) 228-7148 (USA e Canada), 01 (410) 363-7148 (tutti gli altri paesi)

Risoluzione dei problemi

Se incontri difficoltà con i tuoi diffusori BP9000 per canale centrale, prova i suggerimenti qui di seguito. Se avessi ancora problemi, rivolgiti al rivenditore autorizzato Definitive Technology per assistenza.

1. La distorsione udibile quando i diffusori diffondono il suono a livelli elevati è causata alzando il tuo ricevitore o amplificatore più forte di quanto il ricevitore o gli altoparlanti sono in grado di riprodurre. La maggior parte dei ricevitori ed amplificatori danno in uscita la piena potenza ben prima che il controllo del volume sia alzato fino al massimo, per cui la posizione del controllo di volume è un indicatore minimo al suo limite di potenza. Se i tuoi diffusori distorcono quando riproducono la musica alta, abbassa il volume!
2. Se si verifica una scarsità di bassi, è probabile che un diffusore sia fuori fase (polarità) rispetto all' altro e deve essere riavvolto con maggiore attenzione al collegamento positivo al positivo e negativo al negativo su entrambi i canali. La maggior parte dei cavi dei diffusori ha qualche indicatore (come una codifica con i colori, una nervatura o una scritta) su uno dei due conduttori per aiutarti a mantenere la coerenza. Inoltre, è essenziale collegare entrambi i diffusori all'amplificatore nella stesso modo (in fase). Si può anche verificare una scarsità di bassi se la manopola del volume dei bassi è abbassata o meno.
3. Assicurati che tutte le interconnessioni di sistema e i cavi di alimentazione siano saldamente al loro posto.
4. Se senti un ronzio o un rumore proveniente dai tuoi diffusori, prova a collegare le spine di alimentazione dei diffusori in un circuito di corrente diverso da quello dell'amplificatore.
5. Il sistema ha un sofisticato circuito di protezione interna. Se per qualche ragione la protezione blocca i circuiti, spegni il sistema e attendi cinque minuti prima di provare di nuovo il sistema. Se l'amplificatore incorporato nei diffusori dovesse surriscaldarsi, il sistema si spegnerà fino a quando l'amplificatore si raffredda e si resetta.
6. Controlla per assicurarti che il tuo cavo di alimentazione non sia stato danneggiato.
7. Controlla che corpi estranei o liquido non siano entrati nel contenitore.
8. Se non riesci a fare in modo che il driver del subwoofer si attivi o se non viene emesso alcun suono e senza dubbio il sistema è impostato correttamente, porta il diffusore al tuo Rivenditore autorizzato di Definitive Technology per assistenza; chiama prima di recarti lì.

Garanzia limitata:

5-anni per Driver e Cabinati, 3 anni per i componenti elettronici

DEI Sales Co., dba Definitive Technology (di seguito "Definitive") garantisce all'acquirente al dettaglio originale solo che questo prodotto diffusore di Definitive (il "Prodotto") sia privo di difetti nei materiali e nella lavorazione per un periodo di cinque (5) anni che copre i driver ed i cabinati, e tre (3) anni per i componenti elettronici dalla data di acquisto originale da un rivenditore autorizzato Definitive. Se il prodotto è difettoso nei materiali o nella lavorazione, Definitive o il suo rivenditore autorizzato, a propria discrezione, ripara o sostituisce il prodotto in garanzia senza alcun ulteriore costo, salvo quanto di seguito riportato. Tutte le parti sostituite e del(i) prodotto (i) diventano proprietà di Definitive.

Il prodotto deve essere restituito (assicurato e prepagato), insieme alla ricevuta originale con la data dell'acquisto, al rivenditore autorizzato da cui è stato acquistato, o al centro di assistenza Definitive più vicino. Il prodotto deve essere spedito nella sua confezione originale, o in una confezione equivalente. Definitive non è responsabile per lo smarrimento o per eventuali danni al prodotto durante il trasporto. Questa garanzia non comprende il servizio o le parti necessarie per riparare i danni causati da incidenti, uso improprio, abuso, negligenza, imballaggio insufficiente o procedure di spedizione, uso commerciale, tensione superiore al tasso nominale massimo dell'apparecchio, l'aspetto estetico del cabinato non direttamente imputabili a difetti di materiale o di lavorazione. Questa garanzia non comprende l'eliminazione del rumore statico o generato esternamente, o la correzione dei problemi di antenna o di ricezione debole. Questa garanzia non copre i costi del lavoro o danni al prodotto causati da installazione o dalla rimozione del prodotto. Definitive Technology non rilascia alcuna garanzia in relazione ai propri prodotti acquistati da rivenditori o punti vendita diversi dal rivenditore autorizzato Definitive Technology .

LA GARANZIA È AUTOMATICAMENTE NULLA SE:

- 1) Il prodotto è stato danneggiato, in qualche modo alterato, maltrattato durante il trasporto, o manomesso.
- 2) Il prodotto è danneggiato a causa di incidente, incendio, cibo, uso irragionevole, uso improprio, abuso, detergenti applicati dal cliente, mancato rispetto delle avvertenze di produttore, negligenza o eventi correlati.
- 3) La riparazione o la modifica del Prodotto non è stata fatta o autorizzata da Definitive Technology.
- 4) Il prodotto è stato installato o utilizzato non correttamente.

Il prodotto deve essere restituito al Rivenditore da cui il prodotto è stato acquistato (assicurato e prepagato), insieme con l'originale prova di acquisto datata, o al centro di assistenza autorizzato più vicino Definitive. Il Prodotto deve essere spedito nel contenitore di spedizione originale o in un suo equivalente. Definitive non è responsabile né ha alcun obbligo per la perdita o il danneggiamento del Prodotto durante il trasporto.

QUESTA GARANZIA LIMITATA È LA SOLA GARANZIA ESPLICITA CHE SI APPLICA AL TUO PRODOTTO. DEFINITIVE NON SI ASSUME NÉ AUTORIZZA ALCUNA PERSONA O ENTITÀ AD ASSUMERE PER SUO CONTO ALTRA OBBLIGAZIONE O RESPONSABILITÀ IN RELAZIONE AL PRODOTTO O QUESTA GARANZIA. TUTTE LE ALTRE GARANZIE, COMPRESSE MA NON LIMITATE A, GARANZIA ESPRESSA O

IMPLICITA DI COMMERCIALIZZABILITÀ O IDONEITÀ PER UNO SCOPO PARTICOLARE, SONO ESPRESSAMENTE ESCLUSE E DISCONOSCIUTE NELLA MISURA MASSIMA CONSENTITA DALLA LEGGE. TUTTE LE GARANZIE SUL PRODOTTO SONO LIMITATE ALLA DURATA DELLA PRESENTE GARANZIA ESPLICITA. DEFINITIVE NON HA NESSUNA RESPONSABILITÀ PER ATTI DI TERZI. LA RESPONSABILITÀ DI DEFINITIVE, SIA BASATA SU CONTRATTO, TORTO, OGGETTIVA RESPONSABILITÀ, O QUALSIASI ALTRA TEORIA, NON DEVE SUPERARE IL PREZZO DI ACQUISTO DEL PRODOTTO PER IL QUALE LA DOMANDA È STATA FATTA. IN NESSUN CASO PUÒ ESSERE ADDEBITATA A DEFINITIVE LA RESPONSABILITÀ PER DANNI DIRETTI, INDIRETTI O SPECIALI. L'UTENTE ACCETTA ED ACCONSENTE CHE TUTTE LE CONTROVERSIE TRA LUI E DEFINITIVE SIANO RISOLTE NEL RISPETTO DELLE LEGGI DELLA CALIFORNIA E DELLA CONTEA DI SAN DIEGO, CALIFORNIA. DEFINITIVE SI RISERVA IL DIRITTO DI MODIFICARE QUESTA GARANZIA IN QUALSIASI MOMENTO.

Alcuni stati non consentono l'esclusione o la limitazione dei danni diretti o indiretti, o delle

Garanzie implicite, pertanto le limitazioni di cui sopra potrebbero non essere applicabili al tuo caso. Questa garanzia fornisce specifici diritti legali, e potresti anche avere altri diritti che variano da stato a stato.

©2016 DEI Sales Co. Tutti i diritti riservati.

SERIAL NUMBER



Definitive Technology
1 Viper Way
Vista, CA 92082
(800) 228-7148

www.definitivetechology.com

HBP3620C