



Configuring VPC Peering For AWS

Last updated: April 11, 2017

Aviatrix Systems, Inc.
411 High Street
Palo Alto CA 94301
USA
<http://www.aviatrix.com>
Tel: +1 844.262.3100

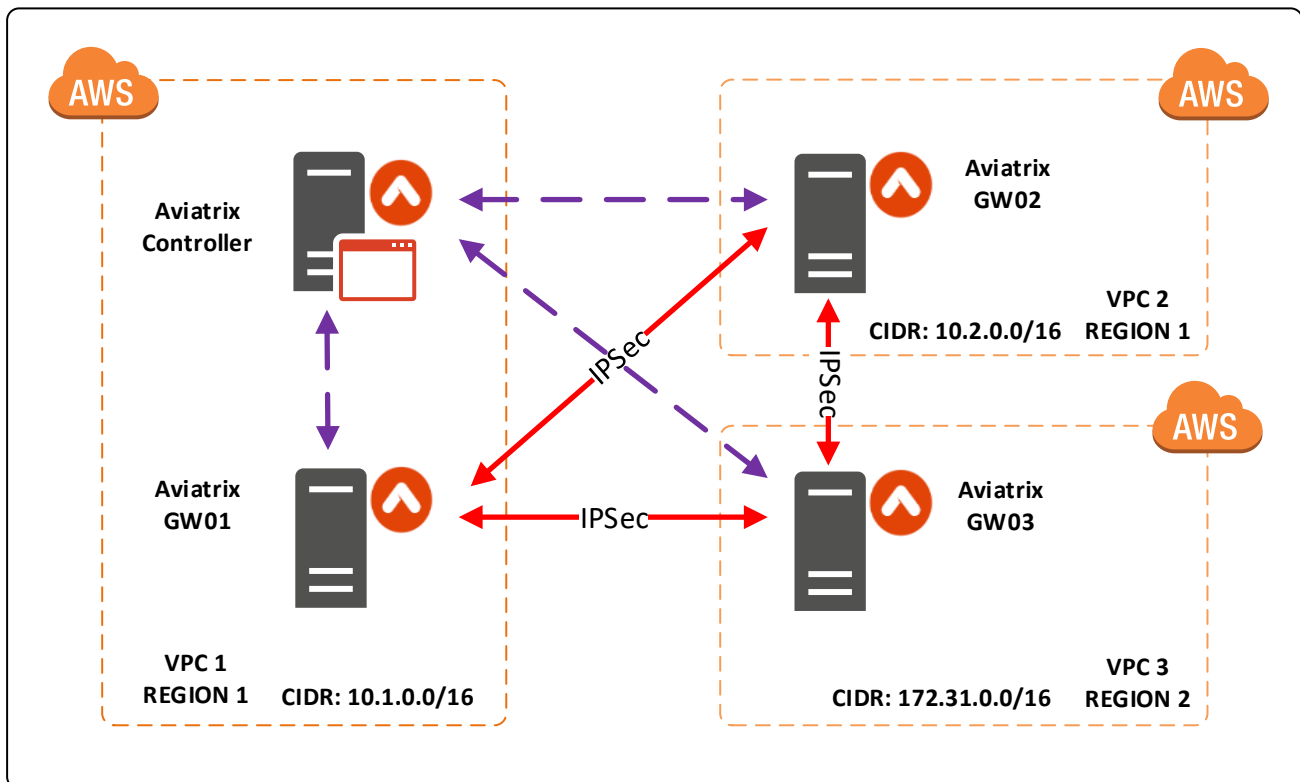
TABLE OF CONTENTS

1	Overview.....	3
1.1	Configuration Objectives.....	3
2	Pre Configuration Checklist.....	4
2.1	Deploy the Aviatrix Controller.....	4
2.2	Check VPC Settings.....	4
3	Configuring VPC Peering.....	5
4	Appendix –Support.....	7
4.1	Aviatrix Support.....	7
4.2	AWS Support.....	7

1 Overview

Aviatrix is a next generation cloud networking solution built from the ground up for the public cloud. It simplifies the way you enable site to cloud, user to cloud, and cloud to cloud secure connectivity and access. The Aviatrix solution requires no new hardware and deploys in minutes.

This configuration guide provides step by step instruction on how to configure peering between AWS VPCs in the same region and in different regions. Below is an architecture diagram of what will be configured in this guide.



1.1 Configuration Objectives

The following features will be enabled after the configuration is complete.

1. Peering between VPCs in the same region.
2. Peering between VPCs in different regions.

2 Pre Configuration Checklist

Before configuring user VPC peering, make sure the following is completed.

Pre Configuration Check List

1. Deploy the Aviatrix Controller.
2. Check VPC Settings.

These prerequisites are explained in detail below.

2.1 Deploy the Aviatrix Controller

The Aviatrix Controller must be deployed and setup prior to configuring VPC peering. Please reference the Aviatrix Controller getting started guide for AWS on how to deploy the Aviatrix Controller.

[Aviatrix Controller Getting Started Guide](#)

Check and make sure you can access the Aviatrix Controller dashboard and login with an administrator account. The default URL for the Aviatrix Controller is:

https://<public ip of Aviatrix Controller>

2.2 Check VPC Settings

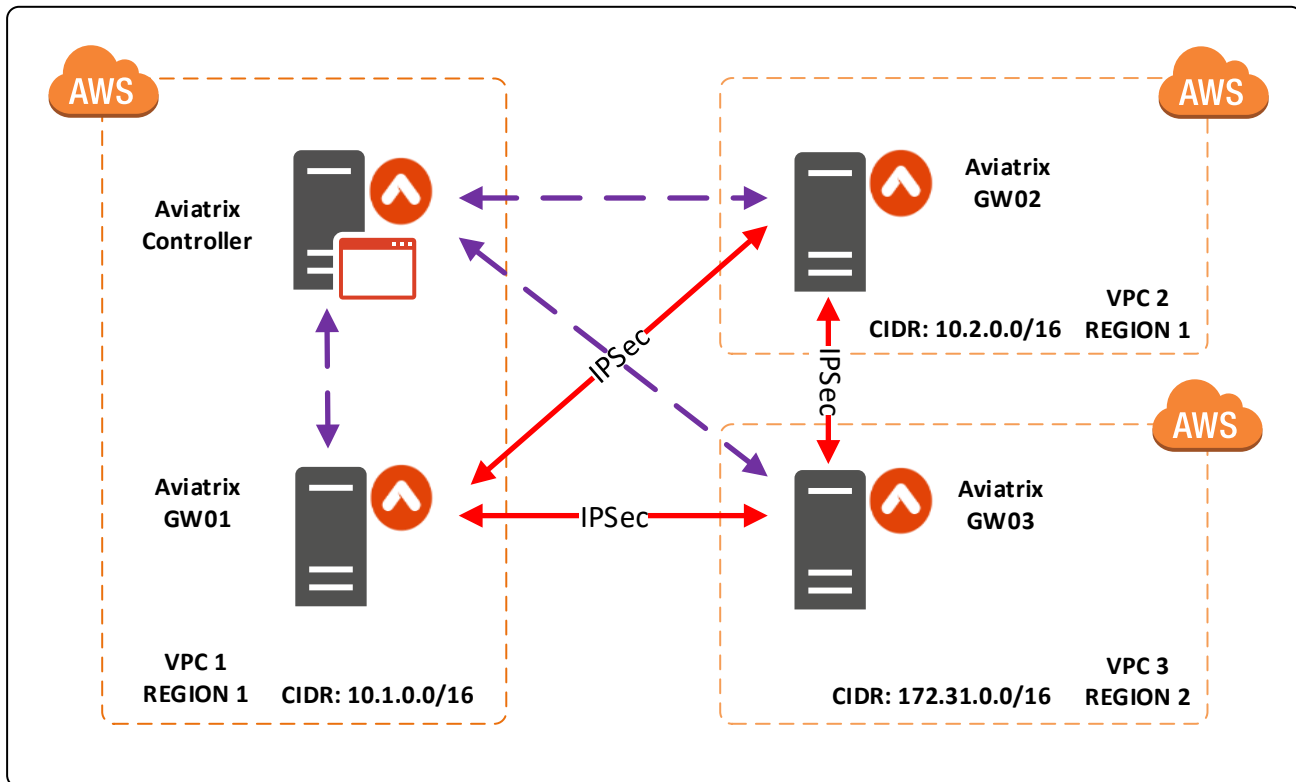
Each VPC that will participant in peering must meet the following requirements.

1. The VPC must have at least one public subnet. This means one subnet must be associated with a route table that has an IGW as its default route.
2. The VPC must have DNS Resolution enabled. This is on by default in a VPC. To check it, login to the AWS VPC dashboard, right click on the VPC and select edit DNS Resolution. The option should be set to Yes.

3 Configuring VPC Peering

Please make sure the pre-configuration steps in the previous section is completed before proceeding.

The instructions in this section will use the following architecture. The CIDR and subnets may vary depending on your VPC setup; however, the general principals will be the same.



In this example we have three VPCs. Two of the VPCs are in the same region and the third one is in a different region. These three VPCs will be peered to form a full mess network.

Instructions:

1. Login to the Aviatrix Controller.
2. Click on Gateway -> +New Gateway.

Setting	Value
Cloud Type	Choose AWS
Account Name	Choose the account name
Region	Choose the region where your VPC is located
VPC ID	Choose the VPC
Gateway Name	This name is arbitrary (ex. gw01)
Public Subnet	Select a public subnet where the gateway will be deployed
Gateway Size	t2.micro is fine for testing.

Enable NAT	Check this box if you want to provide internet access for private subnets within your VPC
VPN Access	Uncheck this box

3. Click "Create". It will take a few minutes for the gateway to deploy. Do not proceed until the gateway is deployed.
4. Repeat steps 2 and 3 for the additional 2 VPCs in this example.
5. To peer the gateways:
 - a. Click Peering > Encrypted Peering -> +New Peering.
 - b. Select gateway 1 and gateway 2 for the peering and then click OK.
 - c. Click +New Peering.
 - d. Select gateway 1 and gateway 3 for the peering and then click OK.
 - e. Click +New Peering.
 - f. Select gateway 2 and gateway 3 for the peering and then click OK.
6. Done.

The Aviatrix Controller automatically updates all routing tables in all VPCs.

VPC 1, 2, and 3 are now in a full meshed network.

4 Appendix –Support

4.1 Aviatrix Support

Aviatrix Cloud Gateway (Scale Out VPC Peering and VPN).

Standard: 8x5 Enterprise Phone Support, email support, product-specific knowledge-base and user forum is included. For Additional levels of support and support offers please visit:

www.aviatrix.com/support

4.2 AWS Support

AWS Support is a one-on-one, fast-response support channel that is staffed 24x7x365 with experienced and technical support engineers. The service helps customers of all sizes and technical abilities to successfully utilize the products and features provided by Amazon Web Services. [Learn more](#)