



Configuring NET Peering For Google Cloud Platform (GCP)

Last updated: May 9, 2017

Aviatrix Systems, Inc.
411 High Street
Palo Alto CA 94301
USA
<http://www.aviatrix.com>
Tel: +1 844.262.3100

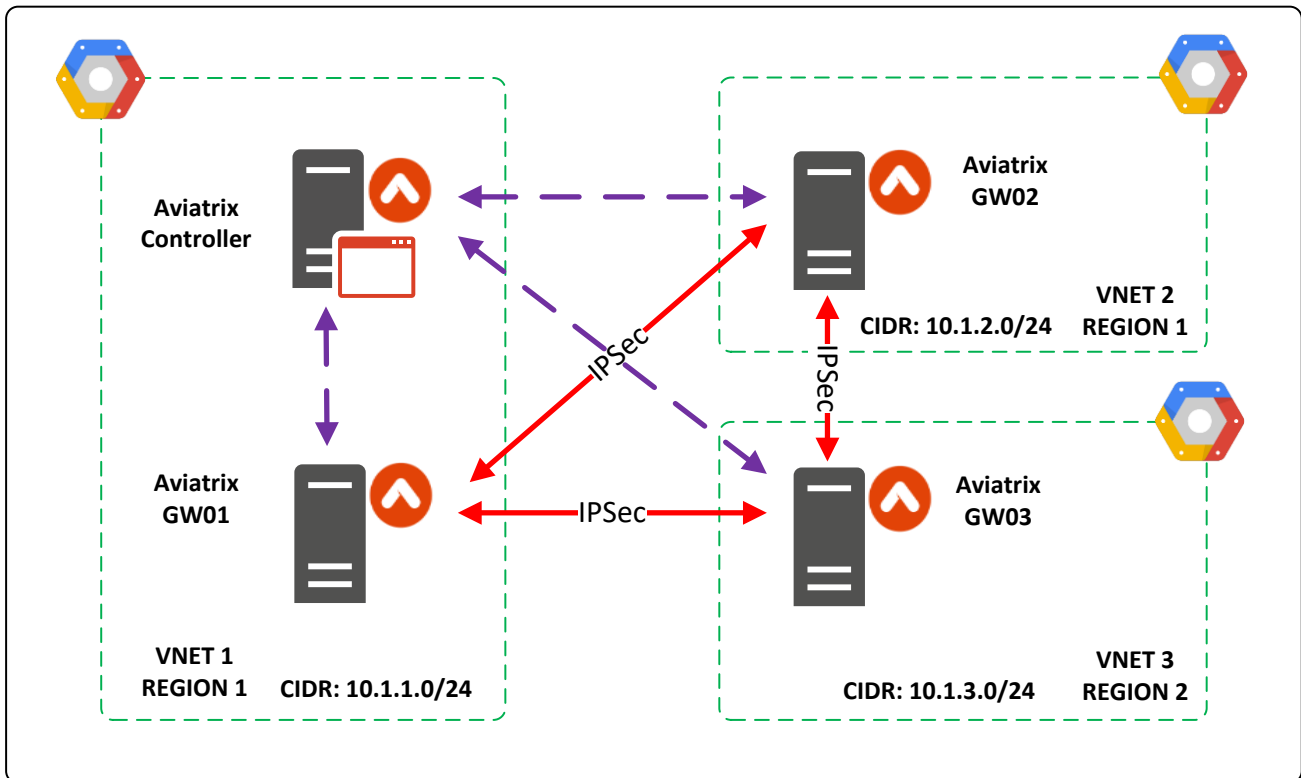
TABLE OF CONTENTS

1	Overview.....	3
1.1	Configuration Objectives.....	3
2	Pre Configuration Checklist.....	4
2.1	Deploy the Aviatrix Controller.....	4
3	Configuring NET Peering.....	5
4	Appendix –Support.....	7
4.1	Aviatrix Support.....	7

1 Overview

Aviatrix is a next generation cloud networking solution built from the ground up for the public cloud. It simplifies the way you enable site to cloud, user to cloud, and cloud to cloud secure connectivity and access. The Aviatrix solution requires no new hardware and deploys in minutes.

This configuration guide provides step by step instruction on how to configure peering between GCP NETs in the same region and in different regions. Below is an architecture diagram of what will be configured in this guide.



1.1 Configuration Objectives

The following features will be enabled after the configuration is complete.

1. Peering between NETs in the same region.
2. Peering between NETs in different regions.

2 Pre Configuration Checklist

Before configuring user NET peering, make sure the following is completed.

Pre Configuration Check List

1. Deploy the Aviatrix Controller.

These prerequisites are explained in detail below.

2.1 Deploy the Aviatrix Controller

The Aviatrix Controller must be deployed and setup prior to configuring NET peering. Please reference the Aviatrix Controller getting started guide for GCP on how to deploy the Aviatrix Controller.

[Aviatrix Controller Getting Started Guide](#)

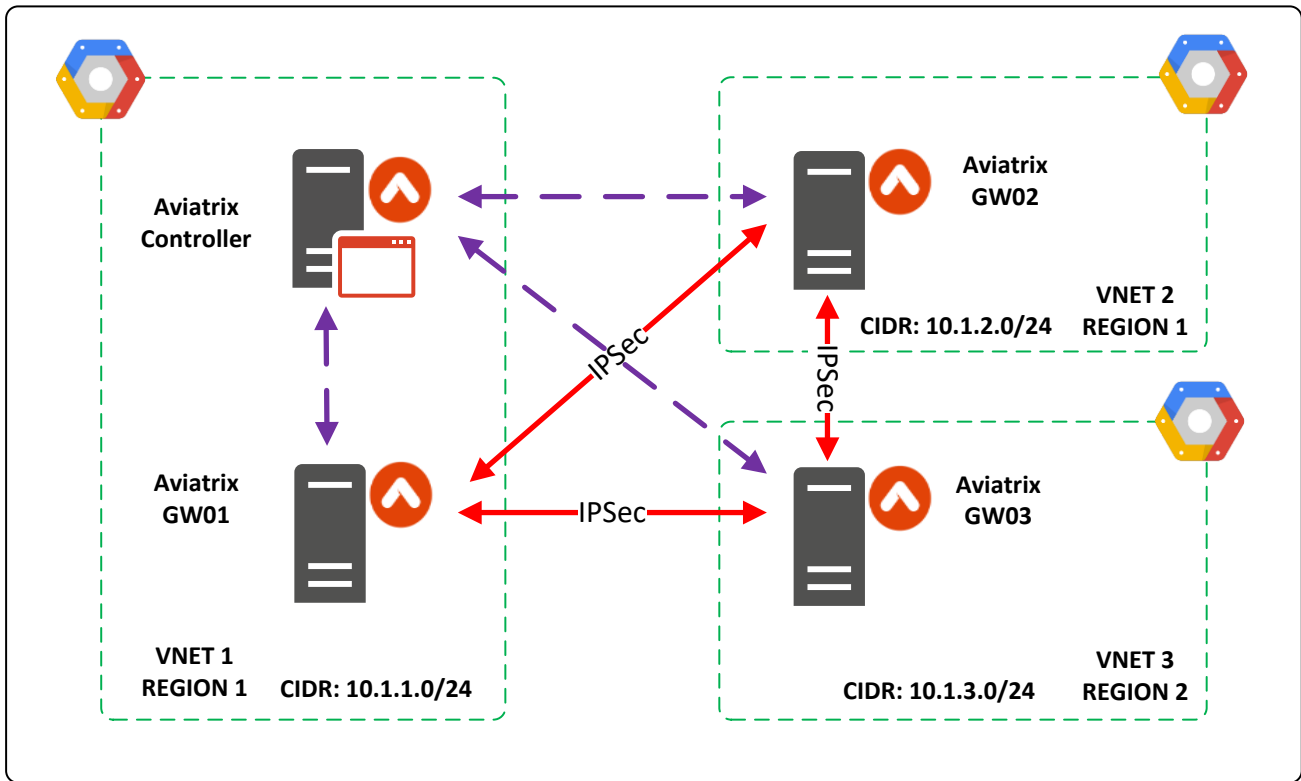
Check and make sure you can access the Aviatrix Controller dashboard and login with an administrator account. The default URL for the Aviatrix Controller is:

https://<public ip of Aviatrix Controller>

3 Configuring NET Peering

Please make sure the pre-configuration steps in the previous section is completed before proceeding.

The instructions in this section will use the following architecture. The CIDR and subnets may vary depending on your NET setup; however, the general principals will be the same.



In this example we have three NETs. These three NETs will be peered to form a full mess network.

Instructions:

1. Login to the Aviatrix Controller.
2. Click on Gateway -> +New Gateway.

Setting	Value
Cloud Type	Choose GCP
Account Name	Choose the account name
Region	Choose the region where your NET is located
NET ID	Choose the NET
Gateway Name	This name is arbitrary (ex. gw01)
Public Subnet	Select a public subnet where the gateway will be deployed
Gateway Size	F1-micro is fine for testing

Enable NAT	Check this box if you want to provide internet access for private subnets within your NET
VPN Access	Uncheck this box

3. Click "Create". It will take a few minutes for the gateway to deploy. Do not proceed until the gateway is deployed.
4. Repeat steps 2 and 3 for the additional 2 NETs in this example.
5. To peer the gateways:
 - a. Click Peering > Encrypted Peering -> +New Peering.
 - b. Select gateway 1 and gateway 2 for the peering and then click OK.
 - c. Click +New Peering.
 - d. Select gateway 1 and gateway 3 for the peering and then click OK.
 - e. Click +New Peering.
 - f. Select gateway 2 and gateway 3 for the peering and then click OK.
6. Done.

The Aviatrix Controller automatically updates all routing tables in all NETs.

NET 1, 2 and 3 are now in a full meshed network.

4 Appendix –Support

4.1 Aviatrix Support

Aviatrix Cloud Gateway (Scale Out NET Peering and VPN).

Standard: 8x5 Enterprise Phone Support, email support, product-specific knowledge-base and user forum is included. For Additional levels of support and support offers please visit:

www.aviatrix.com/support