

December 08, 2021

ADDENDUM

1



TO ALL CONTRACTORS AND OTHERS INTERESTED IN PROJECT

040 YV 122 F0161 01C**040-B(229)T**KINGMAN – ASH FORK HIGHWAY (I-40)
E. SELIGMAN T.I.. OP, EB/WBSCHEDULED FOR BID OPENING ON
Friday December 10, 2021, AT 11:00 A.M. (M.S.T.)**REVISIONS TO THE SPECIAL PROVISIONS:**

On page 43 of 170 revise first sentence of Note No. 6 of General Requirements Traffic Section as follows: *“For each of the two phases during which one of the I-40 bridges over B-40 is having its deck replaced, the contractor will be allowed 8 complete closures of the B-40 roadway due to demolition, falsework, deck pouring, and bridge barrier pouring operations.”*

On page 50 of 170, add Note 17 to Subsection 104.04 Maintenance of Traffic as follows:

“17. Immediately prior to the placement of the falsework over B-40 for each phase until the falsework is removed, the contractor shall position a changeable message board as approved by the Engineer on each crossroad approach to the ramps at the East Seligman TI to alert motorists of the reduced vertical clearance. In addition, the contractor shall position the following signing, each sign with black text on orange

background as approved by the Engineer on the crossroad and ramps, ensuring these temporary signs do not block motorists' views of the existing signing.

On the crossroad, the contractor shall position 48 inch x 48 inch W12-2 (low clearance) signs on embedded posts north of the WB ramps for SB crossroad traffic (EB B-40) and south of the EB ramps for NB crossroad traffic. On each off-ramp, the contractor shall position a 48 inch x 48 inch W12-2 sign on embedded posts with a 24 inch x 18 inch M6 x 24 inch specialty signs, which will use the layout for I101-1 signs, except these signs shall also have black legends on orange background. The contractor shall install these specialty I101-1 signs for each phase on the falsework or on the I-40 bridge not under construction (on the north side of the WB I-40 bridge for SB B-40 traffic while the EB I-40 bridge is under construction and on the south side of the EB I-40 bridge for NB crossroad traffic while the WB I-40 bridge is under construction).

Each W12-2 and specialty I101-1 sign shall indicate a clearance approximately 2 inches less than the clearance identified in the approved shop drawings for the falsework (tentatively, 13 feet, 8 inches if the approved shop drawings for the falsework would indicate 13 feet, 10 inches)."

REVISIONS TO THE PLAN SHEETS:

Attached are revised plan sheets 67 and 79 of 87. Remove the existing plan sheets 67 and 79 of 87, insert the revised plan sheets 67 and 79 of 87 into the Proposal Pamphlet, and be guided accordingly.

REZA JAFARI
For/Iqbal Hossain, P.E.
Group Manager

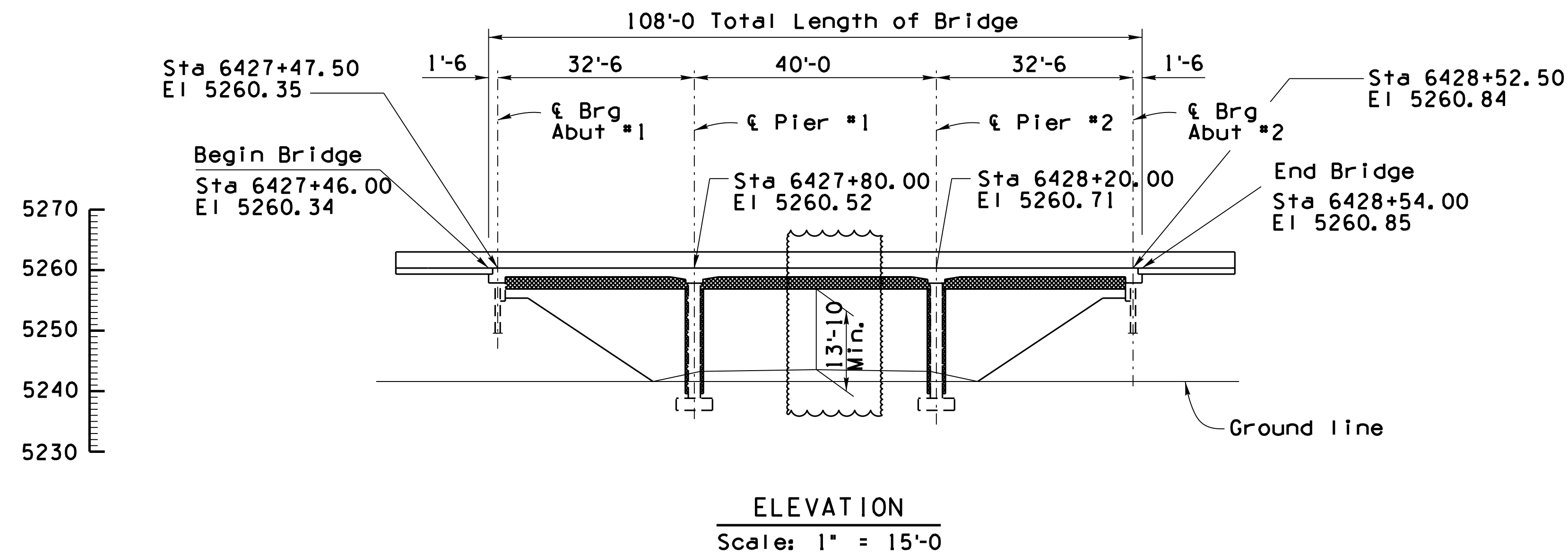
Attachment:

- Revised plan sheets 67 and 79 of 87

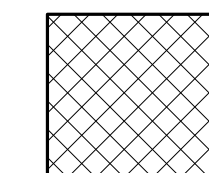
ADDENDUM #1

F.H.W.A. REGION	STATE	PROJECT NO.	SHEET NO.	TOTAL SHEETS	RECORD DRAWING
9	ARIZ.	040-B(229)T	67	87	

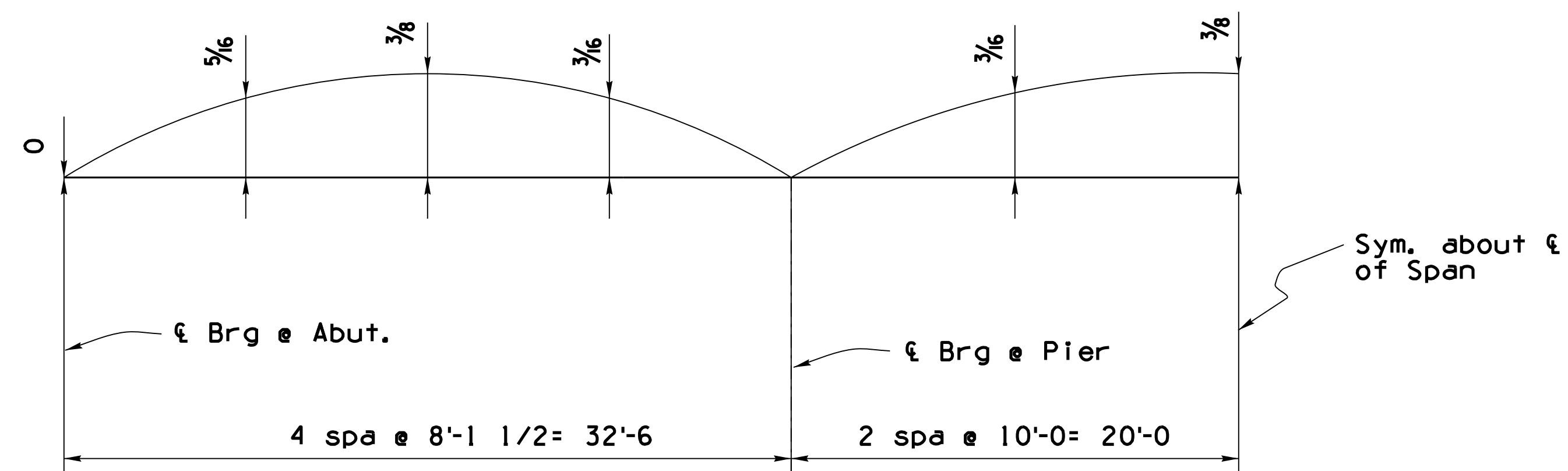
040 YV 123



LEGEND:



False Work, 1'-6 max. depth permitted



DEAD LOAD CAMBER DIAGRAM (FT)

SCREED ELEVATION NOTES:

The Contractor shall survey the top of the existing deck at the Constr ⊕ and at edges of bridge deck prior to any work being done.

All survey points shall be conducted at 2'-6" intervals.

Survey data shall be submitted to the Engineer for review and analysis.

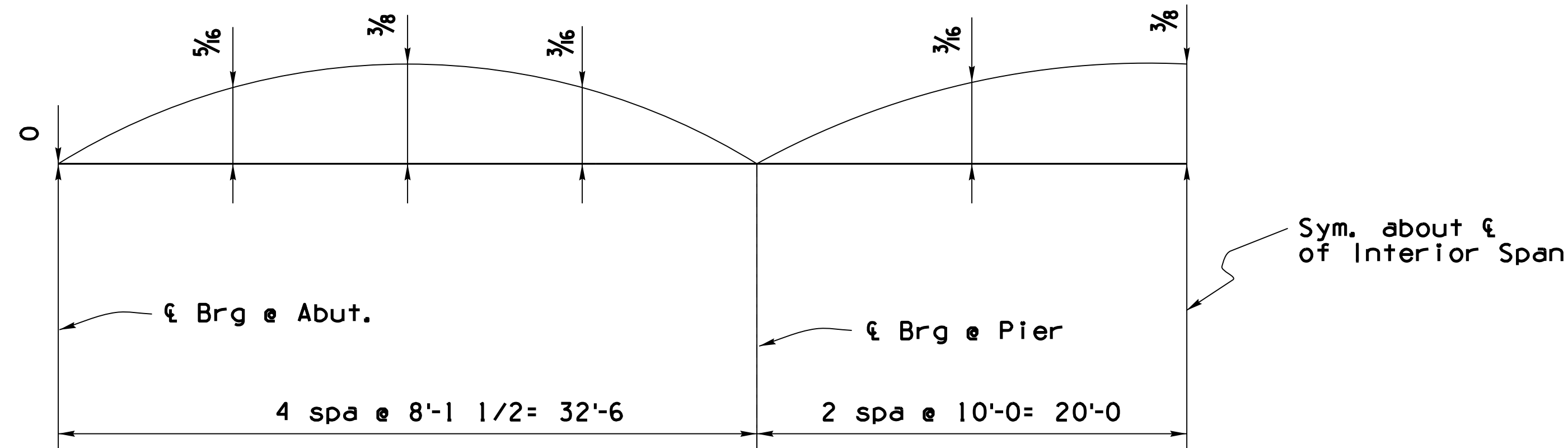
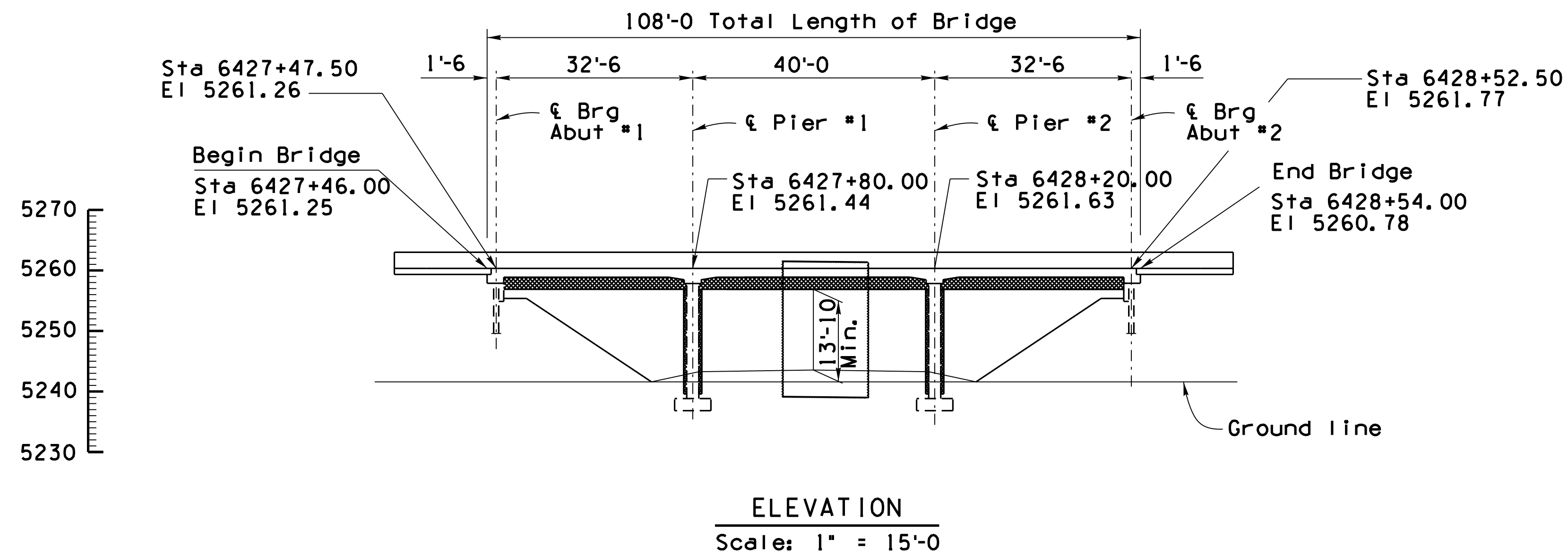
The Engineer will then provide the Contractor with Screed Elevations.

BRIDGE DESIGN SECTION "B"			ARIZONA DEPARTMENT OF TRANSPORTATION INFRASTRUCTURE DELIVERY AND OPERATIONS DIVISION BRIDGE GROUP	
DESIGN	E. Hoque	08-21	STA 6428+ EAST SELIGMAN TI OP EB FALSEWORK & SCREED ELEVATIONS	
DRAWN	E. Hoque	08-21		
CHECKED	R. Cvijanovic	08-21		
APPROVED-SECTION LEADER	N. Viboolmate	08-21		
ROUTE	MILEPOST	STRUCTURE NO.	LOCATION	
1-40	123.32	1259	EAST SELIGMAN TI OP, EB/WB	
TRACS NO. F 0161 OIC			040-B(229)T	DWG. S-1.12 OF 12
				OF

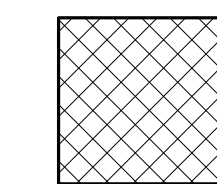
ADDENDUM #1

F.H.W.A. REGION	STATE	PROJECT NO.	SHEET NO.	TOTAL SHEETS	RECORD DRAWING
9	ARIZ.	040-B(229)T	79	87	

040 YV 123



LEGEND:



False Work, 1'-6 Max. depth permitted

SCREED ELEVATION NOTES:

The Contractor shall survey the top of the existing deck at the Constr ϵ and at edges of bridge deck prior to any work being done.

All survey points shall be conducted at 2'-6" intervals.

Survey data shall be submitted to the Engineer for review and analysis.

The Engineer will then provide the Contractor with Screed Elevations.

BRIDGE DESIGN SECTION "B"			DATE	ARIZONA DEPARTMENT OF TRANSPORTATION INFRASTRUCTURE DELIVERY AND OPERATIONS DIVISION BRIDGE GROUP	
DESIGN	E. Hoque	08-21	STA 6428+ EAST SELIGMAN TI OP WB FALSEWORK & SCREED ELEVATIONS		
DRAWN	E. Hoque	08-21			
CHECKED	R. Cvijanovic	08-21			
APPROVED-SECTION LEADER	N. Viboolmate	08-21			
ROUTE	1-40	MILEPOST	123.32	STRUCTURE NO.	1260
TRACS NO. F 0161 OIC			040-B(229)T		DWG. 5-2.12 OF 12

