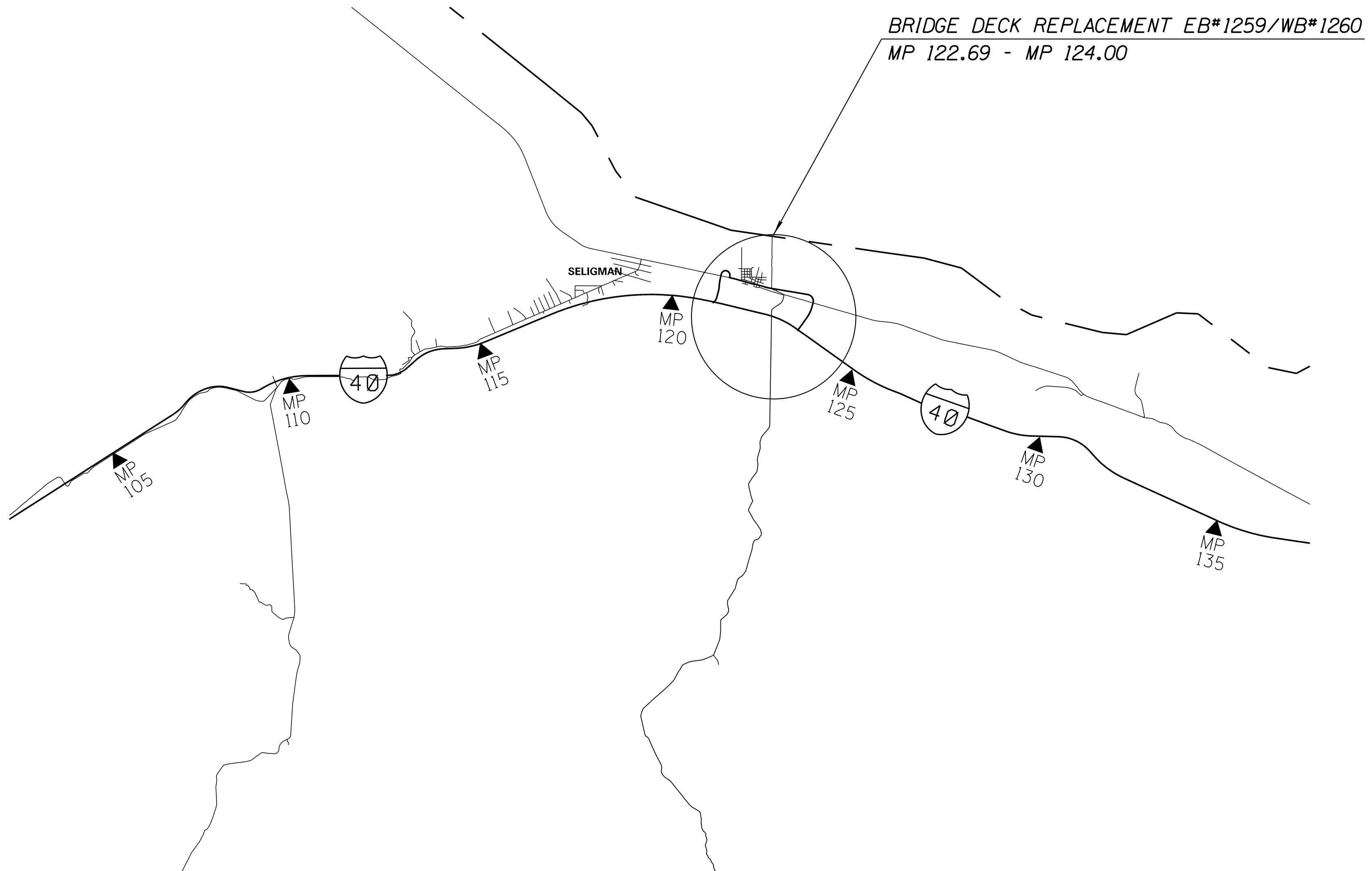
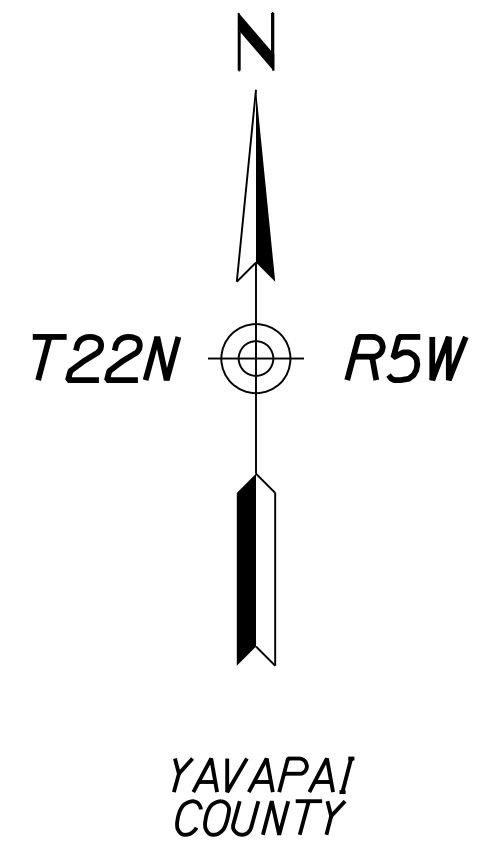
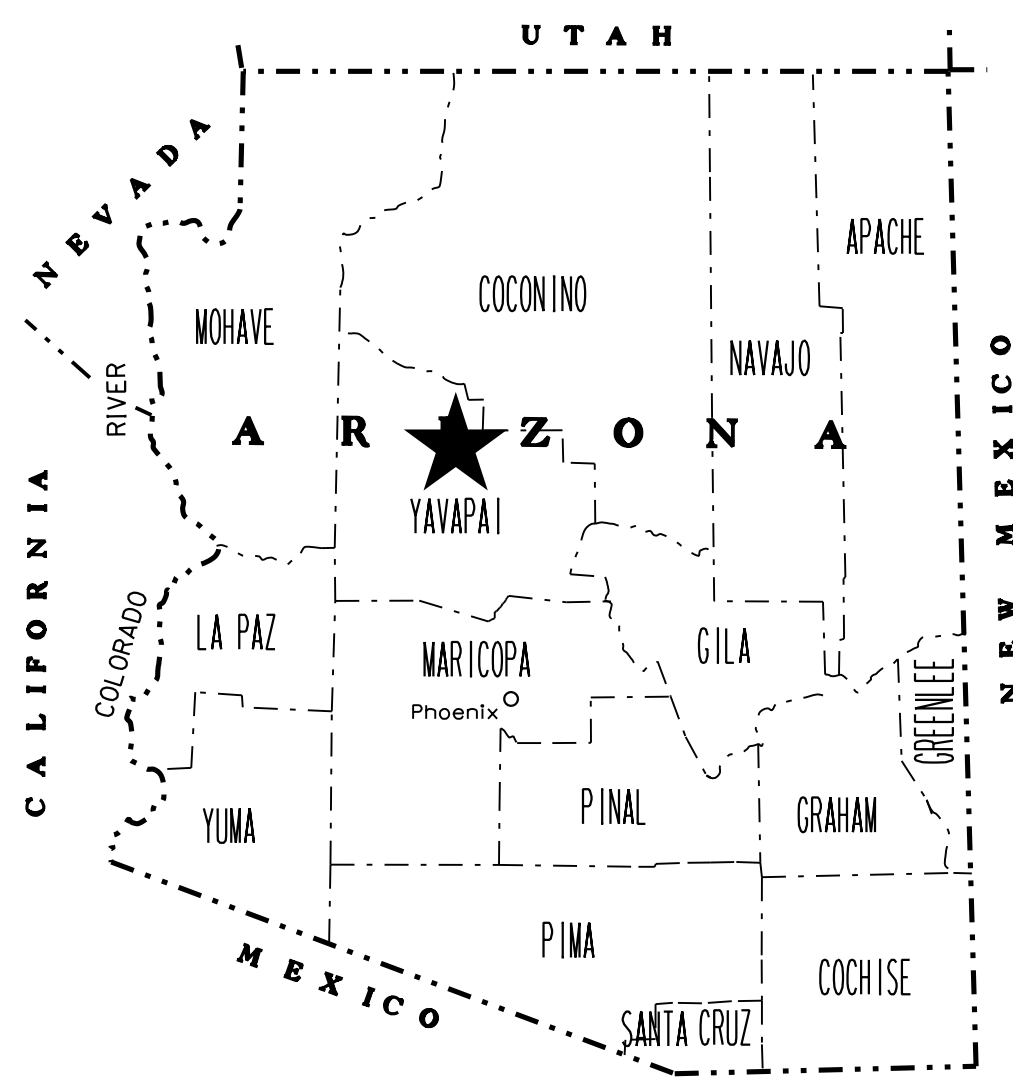


STATE OF ARIZONA
 DEPARTMENT OF TRANSPORTATION
 INFRASTRUCTURE DELIVERY AND OPERATIONS DIVISION



PROJECT PLANS

STATE HIGHWAY
 KINGMAN - ASH FORK HWY
 INTERSTATE 40



EAST SELIGMAN TI OP, EB / WB
PROJECT NO. 040 YV 122 F0161 01 C
FEDERAL AID NO. 040-B(229)T

Constructed by:

 Construction Company

 Completion Date

Red-Lines by:

 Construction Administrator Name & Company

 Completion Date

Record Drawings by:

 Record Drawings Designer Name & Company

 Completion Date

ARIZONA DEPARTMENT OF TRANSPORTATION
 INFRASTRUCTURE DELIVERY AND OPERATIONS DIVISION
 DALLAS HAMMIT, P.E., STATE ENGINEER

REC. DWGS. DATA	REC. DWG. DATE	_____ OF _____
--------------------	----------------	----------------

ADOT STANDARD DRAWINGS
C STANDARDS

ISSUE OR REVISION DATE	STANDARD NO.	SUBJECT
05/12	C-01.10 SH 1	SYMBOL LEGEND
05/12	C-01.10 SH 2	SYMBOL LEGEND
05/12	C-01.10 SH 3	SYMBOL LEGEND
05/12	C-01.10 SH 4	SYMBOL LEGEND
12/17	C-01.30 SH 1	GENERAL ABBREVIATIONS
05/12	C-01.30 SH 2	GENERAL ABBREVIATIONS
05/12	C-01.30 SH 3	GENERAL ABBREVIATIONS
05/12	C-02.10	SLOPES, RURAL DIVIDED HIGHWAYS
05/12	C-02.20	SLOPES, RURAL UNDIVIDED AND FRINGE-URBAN HIGHWAYS
05/12	C-02.30	SLOPES, MISCELLANEOUS ROADWAYS
05/12	C-03.10 SH 1	DITCHES, CHANNELS, DIKES AND BERMS, DITCHES AND CHANNELS
05/12	C-03.10 SH 2	DITCHES, CHANNELS, DIKES AND BERMS, DIKES
05/12	C-03.10 SH 3	DITCHES, CHANNELS, DIKES AND BERMS, DITCH DIKE
05/12	C-03.10 SH 4	DITCHES, CHANNELS, DIKES AND BERMS, PIPE BERMS
05/12	C-03.10 SH 5	DITCHES, CHANNELS, DIKES AND BERMS, HEADWALL BERMS
12/17	C-04.10 SH 1	SPILLWAY, EMBANKMENT SINGLE INLET
12/17	C-04.10 SH 2	SPILLWAY, EMBANKMENT DOUBLE INLET
12/17	C-04.20 SH 1	DOWNDRAIN, EMBANKMENT SINGLE INLET
12/17	C-04.20 SH 2	DOWNDRAIN, EMBANKMENT DOUBLE INLET
12/17	C-04.30	SPILLWAY LENGTH TABLE
12/17	C-04.40	DOWNDRAIN LENGTH TABLE
05/12	C-04.50	DOWNDRAIN ENERGY DISSIPATOR
05/12	C-05.10	CURB & GUTTER, CURB, GUTTER
05/12	C-05.12 SH 1	CURB & GUTTER TRANSITIONS
05/12	C-05.12 SH 2	CURB & GUTTER TRANSITIONS
05/12	C-05.12 SH 3	CURB AND GUTTER TRANSITIONS
05/12	C-05.20 SH 1	CONCRETE DRIVEWAYS & SIDEWALKS, DRIVEWAYS
05/12	C-05.20 SH 2	CONCRETE DRIVEWAYS & SIDEWALKS, SIDEWALKS
05/12	C-05.30 SH 1	SIDEWALK RAMP, TYPE A
05/12	C-05.30 SH 2	SIDEWALK RAMP, TYPE B
05/12	C-05.30 SH 3	SIDEWALK RAMP, TYPE C
05/12	C-05.30 SH 4	SIDEWALK RAMP, TYPE D
05/12	C-05.30 SH 5	SIDEWALK RAMP, TYPE E
05/12	C-05.30 SH 6	SIDEWALK RAMP, TYPE F
05/12	C-05.30 SH 7	SIDEWALK RAMP, DETECTABLE WARNING STRIP
05/12	C-05.40	MEDIAN PAVING AND NOSE TAPER
05/12	C-05.50	CONCRETE BUS BAY
05/12	C-06.10 SH 1	DRIVEWAY & TURNOUT LAYOUTS
05/12	C-06.10 SH 2	DRIVEWAY & TURNOUT LAYOUTS
05/12	C-07.01 SH 1	PCCP JOINTS
05/12	C-07.01 SH 2	PCCP JOINTS
05/12	C-07.02	LOAD TRANSFER DOWEL ASSEMBLY
05/12	C-07.03 SH 1	PCCP JOINT LOCATIONS, MAINLINE SKEWED JOINTS
05/12	C-07.03 SH 2	PCCP JOINT LOCATIONS, MAINLINE SKEWED JOINTS
05/12	C-07.03 SH 3	PCCP JOINT LOCATIONS, MAINLINE SKEWED JOINTS
05/12	C-07.03 SH 4	PCCP JOINT LOCATIONS, MAINLINE SKEWED JOINTS
05/12	C-07.03 SH 5	PCCP JOINT LOCATIONS, MAINLINE NON-SKEWED JOINTS
05/12	C-07.03 SH 6	PCCP JOINT LOCATIONS, MAINLINE NON-SKEWED JOINTS
05/12	C-07.03 SH 7	PCCP JOINT LOCATIONS, MAINLINE NON-SKEWED JOINTS
05/12	C-07.03 SH 8	PCCP JOINT LOCATIONS, MAINLINE NON-SKEWED JOINTS
05/12	C-07.04 SH 1	PCCP JOINT LOCATIONS, PARALLEL-TYPE ENTRANCE RAMP WITH AUXILIARY LANE
05/12	C-07.04 SH 2	PCCP JOINT LOCATIONS, PARALLEL-TYPE EXIT RAMP WITH AUXILIARY LANE
05/12	C-07.04 SH 3	PCCP JOINT LOCATIONS, TAPER-TYPE ENTRANCE RAMP
05/12	C-07.04 SH 4	PCCP JOINT LOCATIONS, TAPER-TYPE EXIT RAMP
05/12	C-07.04 SH 5	PCCP JOINT LOCATIONS, CROSSROAD AND RAMP TERMINI
08/21	C-07.06	TRENCH BACKFILL AND PAVEMENT REPLACEMENT
05/12	C-08.20	PAVED GORE AREA
12/17	C-10.00	GUARDRAIL MEASUREMENT LIMITS
12/17	C-10.01	GUARDRAIL INSTALLATION
12/17	C-10.03	W-BEAM GUARDRAIL, MGS BLOCKED-OUT TIMBER POST
12/17	C-10.04	W-BEAM GUARDRAIL, MGS BLOCKED-OUT STEEL POST
12/17	C-10.05 SH 1	W-BEAM GUARDRAIL (MODIFIED) WITH FREEWAY CURB AND GUTTER
12/17	C-10.05 SH 2	W-BEAM GUARDRAIL (MODIFIED) WITH FREEWAY CURB AND GUTTER
12/17	C-10.06	W-BEAM GUARDRAIL LONG-SPAN
12/17	C-10.07 SH 1	W-BEAM GUARDRAIL, BOX CULVERT GUARDRAIL POST
12/17	C-10.07 SH 2	W-BEAM GUARDRAIL, BOX CULVERT GUARDRAIL POST
12/17	C-10.08 SH 1	W-BEAM GUARDRAIL, END ANCHOR
12/17	C-10.08 SH 2	W-BEAM GUARDRAIL, END ANCHOR
12/17	C-10.09	GUARDRAIL POST ROCK INSTALLATION
04/19	C-10.20 SH 1	GUARDRAIL END TERMINAL PAD LAYOUT FOR SOFTSTOP
04/19	C-10.20 SH 2	GUARDRAIL END TERMINAL PAD LAYOUT FOR SOFTSTOP
04/19	C-10.21 SH 1	GUARDRAIL END TERMINAL PAD LAYOUT FOR MSKT
04/19	C-10.21 SH 2	GUARDRAIL END TERMINAL PAD LAYOUT FOR MSKT
04/19	C-10.22 SH 1	GUARDRAIL END TERMINAL PAD LAYOUT FOR MAX-TENSION
04/19	C-10.22 SH 2	GUARDRAIL END TERMINAL PAD LAYOUT FOR MAX-TENSION
04/21	C-10.23 SH 1	GUARDRAIL END TERMINAL PAD LAYOUT FOR SGET
04/21	C-10.23 SH 2	GUARDRAIL END TERMINAL PAD LAYOUT FOR SGET
11/19	C-10.26 SH 1	GUARDRAIL END TERMINAL PAD LAYOUT FOR MFLEAT
11/19	C-10.26 SH 2	GUARDRAIL END TERMINAL PAD LAYOUT FOR MFLEAT
12/17	C-10.30 SH 1	GUARDRAIL TRANSITION TO CONCRETE BARRIER, TIMBER POST
12/17	C-10.30 SH 2	GUARDRAIL TRANSITION TO CONCRETE BARRIER, TIMBER POST
12/17	C-10.31 SH 1	GUARDRAIL TRANSITION TO CONCRETE BARRIER, STEEL POST
12/17	C-10.31 SH 2	GUARDRAIL TRANSITION TO CONCRETE BARRIER, STEEL POST
12/17	C-10.38 SH 1	GUARDRAIL TAPER G4 TO MGS W-BEAM WITH STAGGERED POST
12/17	C-10.38 SH 2	GUARDRAIL TAPER G4 TO MGS W-BEAM WITH OFFSET RAIL
12/17	C-10.40	CONCRETE MEDIAN BARRIER, 32" TYPE 'F', CAST-IN-PLACE
12/17	C-10.41	CONCRETE MEDIAN BARRIER, 42" TYPE 'F', CAST-IN-PLACE
12/17	C-10.44 SH 1	CONCRETE MEDIAN BARRIER, 42" TYPE 'F' WITH VARIABLE HEIGHT SIDES, H=0' TO 26"
12/17	C-10.44 SH 2	CONCRETE MEDIAN BARRIER, 42" TYPE 'F' WITH VARIABLE HEIGHT SIDES, H=0' TO 26"
12/17	C-10.45 SH 1	CONCRETE MEDIAN BARRIER, 42" TYPE 'F' WITH VARIABLE HEIGHT SIDES, H=26" TO 60"
12/17	C-10.45 SH 2	CONCRETE MEDIAN BARRIER, 42" TYPE 'F' WITH VARIABLE HEIGHT SIDES, H=26" TO 60"
12/17	C-10.50 SH 1	CONCRETE HALF BARRIER, 32" TYPE 'F', CAST-IN-PLACE
12/17	C-10.50 SH 2	CONCRETE HALF BARRIER, 32" TYPE 'F', PRECAST

ISSUE OR REVISION DATE	STANDARD NO.	SUBJECT
12/17	C-10.51	CONCRETE HALF BARRIER, 32" TYPE 'F' WITH SIDEWALK
12/17	C-10.52	CONCRETE HALF BARRIER, 32" TYPE 'F' WITH GUTTER
12/17	C-10.53	CONCRETE HALF BARRIER, 42" TYPE 'F' WITH GUTTER
12/17	C-10.54 SH 1	CONCRETE HALF BARRIER, 32" TYPE 'F' AT PIERS, CAST-IN-PLACE
12/17	C-10.54 SH 2	CONCRETE HALF BARRIER, 32" TYPE 'F' AT PIERS, PRECAST
12/17	C-10.54 SH 3	CONCRETE HALF BARRIER, 32" TYPE 'F' AT PIERS, LAYOUT
12/17	C-10.55 SH 1	CONCRETE HALF BARRIER, 42" TYPE 'F' AT PIERS, CAST-IN-PLACE
12/17	C-10.55 SH 2	CONCRETE HALF BARRIER, 42" TYPE 'F' AT PIERS, PRECAST
12/17	C-10.55 SH 3	CONCRETE HALF BARRIER, 42" TYPE 'F' AT PIERS, LAYOUT
12/17	C-10.70 SH 1	CONCRETE HALF-BARRIER TRANSITION TO VERTICAL, 32" TYPE 'F' WITH CAISSONS
12/17	C-10.70 SH 2	CONCRETE HALF-BARRIER TRANSITION TO VERTICAL, 32" TYPE 'F' WITH CAISSONS
12/17	C-10.70 SH 3	CONCRETE HALF-BARRIER TRANSITION TO VERTICAL, 32" TYPE 'F' WITH CAISSONS
12/17	C-10.71 SH 1	CONCRETE HALF-BARRIER TRANSITION TO VERTICAL, 32" TYPE 'F' WITH CURB & GUTTER
12/17	C-10.71 SH 2	CONCRETE HALF-BARRIER TRANSITION TO VERTICAL, 32" TYPE 'F' WITH CURB & GUTTER
12/17	C-10.72 SH 1	CONCRETE HALF-BARRIER TRANSITION TO VERTICAL, 42" TO 32" TYPE 'F' WITH CAISSONS
12/17	C-10.72 SH 2	CONCRETE HALF-BARRIER TRANSITION TO VERTICAL, 42" TO 32" TYPE 'F' WITH CAISSONS
12/17	C-10.72 SH 3	CONCRETE HALF-BARRIER TRANSITION TO VERTICAL, 42" TO 32" TYPE 'F' WITH CAISSONS
12/17	C-10.73 SH 1	CONCRETE HALF-BARRIER TRANSITION TO VERTICAL, 42" TO 32" TYPE 'F' WITH GUTTER
12/17	C-10.73 SH 2	CONCRETE HALF-BARRIER TRANSITION TO VERTICAL, 42" TO 32" TYPE 'F' WITH GUTTER
12/17	C-10.74	CONCRETE HALF-BARRIER TRANSITION, 42" TO 32" TYPE 'F'
12/17	C-10.75 SH 1	CONCRETE HALF-BARRIER TRANSITION, TYPE 'F' TANGENT DEPARTURE TYPE 1
12/17	C-10.75 SH 2	CONCRETE HALF-BARRIER TRANSITION, TYPE 'F' TANGENT DEPARTURE TYPE 2
12/17	C-10.76	CONCRETE HALF-BARRIER TRANSITION, TYPE 'F' AT RADIUS, 32" TO 0"
04/19	C-10.77	CONCRETE BARRIER TRANSITION TO GUARDRAIL END TERMINAL LAYOUT WITH CURB
12/17	C-10.78	CONCRETE HALF-BARRIER TRANSITION, 32" TYPE 'F' LOW SPEED APPROACH
12/17	C-10.79	CONCRETE HALF-BARRIER TRANSITION, 42" TYPE 'F' TANGENT DEPARTURE
05/12	C-11.10 SH 1	ROADWAY CATTLE GUARD
05/12	C-11.10 SH 2	ROADWAY CATTLE GUARD
05/12	C-11.10 SH 3	ROADWAY CATTLE GUARD
05/12	C-11.10 SH 4	ROADWAY CATTLE GUARD
05/12	C-11.20	CATTLE GUARD, DRAINAGE
05/12	C-12.10 SH 1	FENCE, WOVEN WIRE
05/12	C-12.10 SH 2	FENCE, BARBED WIRE
05/12	C-12.10 SH 3	FENCE, TYPE 1 AND 2 GATES, FLOOD GATE
05/12	C-12.10 SH 4	FENCE, FLOOD GATE INSTALLATION
05/12	C-12.10 SH 5	FENCE, MISCELLANEOUS DETAILS
05/12	C-12.20 SH 1	FENCE, CHAIN LINK, TYPE 1
05/12	C-12.20 SH 2	FENCE, CHAIN LINK, TYPE 2
05/12	C-12.20 SH 3	FENCE, CHAIN LINK, GATES
05/12	C-12.30 SH 1	FENCE, CHAIN LINK CABLE BARRIER
05/12	C-12.30 SH 2	FENCE, CHAIN LINK CABLE BARRIER
05/12	C-12.30 SH 3	FENCE, CHAIN LINK CABLE BARRIER
05/12	C-13.10 SH 1	PIPE CULVERT INSTALLATION
05/12	C-13.10 SH 2	PIPE CULVERT INSTALLATION
01/20	C-13.15	TYPICAL PIPE INSTALLATION
05/12	C-13.20	PIPE, REINFORCED CONCRETE END SECTION
05/12	C-13.25	PIPE, CORRUGATED METAL END SECTION
05/12	C-13.30	PIPE AND PIPE ARCH, CORRUGATED METAL, CONCRETE INVERT PAVING
05/12	C-13.55	PIPE, CATTLE-VEHICLE PASS, MITERED END TREATMENT
05/12	C-13.60	SLOTTED DRAIN DETAILS
05/12	C-13.65	SLOTTED DRAIN INSTALLATION DETAILS
05/12	C-13.70	STORM DRAIN CONNECTION DETAILS
05/12	C-13.75	STORM DRAIN OUTLET BARRIER GATE
05/12	C-13.76	STORM DRAIN OUTLET AND STORM DRAIN PLUG
05/12	C-13.80	PIPE COLLAR DETAILS
05/12	C-15.10	CATCH BASIN, TYPE 1
05/12	C-15.20 SH 1	CATCH BASIN, TYPE 3
05/12	C-15.20 SH 2	CATCH BASIN, TYPE 3
05/12	C-15.20 SH 3	CATCH BASIN, ACCESS FRAME AND COVER DETAILS
05/12	C-15.30	CATCH BASIN, TYPE 4
05/12	C-15.40 SH 1	CATCH BASIN, TYPE 5
05/12	C-15.40 SH 2	CATCH BASIN, TYPE 5
05/12	C-15.50	CATCH BASIN, FRAME AND GRATE
05/12	C-15.70 SH 1	CATCH BASIN, MISCELLANEOUS DETAILS
05/12	C-15.70 SH 2	CATCH BASIN, MISCELLANEOUS DETAILS
05/12	C-15.75	CATCH BASIN, DROP INLET
05/12	C-15.80	CATCH BASIN, FLUSH
05/12	C-15.81	CATCH BASIN, SIDE SLOPE
05/12	C-15.90	CATCH BASIN, MEDIAN DIKE, PRECAST
05/12	C-15.91 SH 1	FREEWAY CATCH BASIN DETAILS
05/12	C-15.91 SH 2	FREEWAY CATCH BASIN DETAILS
05/12	C-15.92 SH 1	CATCH BASIN WITH TYPE 'F' CONCRETE HALF BARRIER
05/12	C-15.92 SH 2	CATCH BASIN WITH TYPE 'F' CONCRETE HALF BARRIER
05/12	C-16.40	IRRIGATION SLEEVES
05/12	C-17.10	RAIL BANK PROTECTION FOR DRAINAGEWAYS, TYPES 1, 2 & 3
05/12	C-17.15	RAIL BANK PROTECTION AT ABUTMENTS, TYPES 4, 5 & 6
05/12	C-17.20	RAIL BANK PROTECTION FOR DRAINAGEWAYS, TYPES 7, 8 & 9
05/12	C-18.10 SH 1	MANHOLE, RISER DETAILS
05/12	C-18.10 SH 2	MANHOLE, BASE DETAILS, NORMAL INSTALLATION
05/12	C-18.10 SH 3	MANHOLE, FRAME AND COVER DETAILS
05/12	C-19.10 SH 1	FORD, CONCRETE WALLS
05/12	C-19.10 SH 2	FORD, TYPES 1 AND 2
05/12	C-21.10	SURVEY MONUMENT FRAME AND COVER
05/12	C-21.20	SURVEY MARKER

ADOT STANDARD DRAWINGS		
REVISION DATES and STANDARD NO.'s REVIEW		
CONSTRUCTION Standards	NAME	DATE
	MARFIDA BLALOCK	10/2021
PROJECT NO.		
040 YV 122 F0161 01C	IA	OF 87
RECORD DRAWING DATA	FEDERAL AID NO. 040-B(229)T	REC. DWG. DATE
		OF

REV.: 08/21

ADOT STANDARD DRAWINGS
 TRAFFIC SIGNING AND MARKING STANDARDS
 (SHEET 2 OF 2)
 EFFECTIVE FEBRUARY 2021

NO.1 | DESCRIPTION OF REVISION REVISED STD DWG. M-16 SHEET 2 AND M-17. MADE BY: L. LOPEZ DATE: 02/20
 NO.2 | DESCRIPTION OF REVISION REVISED STD DWG. M-16 SHT 1, 2, 3, M-17 SHT 1 & 2, M-17, M-18, M-19 SHT 1, 7, 9, MADE BY: A. SIDDIYAR DATE: 08/20

REVISION DATE	STANDARD NUMBER	SUBJECT: SIGNING AND MARKING DETAILS	REVISION DATE	STANDARD NUMBER	SUBJECT: SIGNING AND MARKING DETAILS
4/19	S-1 SHT 1	GENERAL SIGNING NOTES	6/14	S-12 SHT 1	TYPE A, B, AND DOWN ARROWS
6/14	S-2 SHT 1	S & W BREAKAWAY POST SELECTION CHART	6/14	S-12 SHT 2	TYPE C AND D ARROWS
6/14	S-2 SHT 2	S & W BREAKAWAY POST INSTALLATION DETAILS	6/14	S-12 SHT 3	C2 ARROW DETAIL
6/14	S-3 SHT 1	FLAT SHEET SIGNS SQUARE TUBE POST GENERAL NOTES	6/14	S-13	SIGN IDENTIFICATION DETAILS
6/14	S-3 SHT 2	SINGLE POST FLAT SHEET RECTANGULAR SIGN ASSEMBLY - 12, 18 AND 24 INCH WIDTHS	6/14	S-14 SHT 1	ROTATING OPEN/CLOSED SIGN
6/14	S-3 SHT 3	SINGLE POST FLAT SHEET RECTANGULAR SIGN ASSEMBLY - 30, 36, 42 AND 54 INCH WIDTHS	6/14	S-14 SHT 2	ROTATING OPEN/CLOSED SIGN DETAILS
6/14	S-3 SHT 4	TWO POST FLAT SHEET RECTANGULAR SIGN ASSEMBLY - 36, 42 AND 48 INCH WIDTHS	6/14	S-14 SHT 3	ROTATING OPEN/CLOSED SIGN MOUNTING DETAILS
6/14	S-3 SHT 5	TWO POST FLAT SHEET RECTANGULAR SIGN ASSEMBLY - 54, 60 AND 72 INCH WIDTHS	6/14	S-15 SHT 1	FOLDING RECTANGULAR SIGN ASSEMBLY
6/14	S-3 SHT 6	TWO POST FLAT SHEET RECTANGULAR SIGN ASSEMBLY - 84 - 144 INCH WIDTHS	6/14	S-15 SHT 2	FOLDING RECTANGULAR SIGN OPERATION
6/14	S-3 SHT 7	THREE POST FLAT SHEET RECTANGULAR SIGN ASSEMBLY - 48, 60 AND 72 INCH WIDTHS	6/14	S-15 SHT 3	FOLDING DIAMOND SIGN ASSEMBLY
6/14	S-3 SHT 8	THREE POST FLAT SHEET RECTANGULAR SIGN ASSEMBLY - 84 - 144 INCH WIDTHS	4/19	S-16 SHT 1	TEMPORARY WOOD POSTS
6/14	S-3 SHT 9	WARNING SIGN ASSEMBLY - SINGLE POST	4/19	S-16 SHT 2	TEMPORARY WOOD POSTS SELECTION CHART
6/14	S-3 SHT 10	WARNING SIGN ASSEMBLY - TWO POST	6/14	S-17	END OF ROAD BARRICADE
6/14	S-3 SHT 11	WARNING SIGN ASSEMBLY - THREE POST	7/19	S-18 SHT 1	ALUMINUM GRAFFITI SHIELD EXIT AND GUIDE SIGN ASSEMBLY
6/14	S-3 SHT 12	MULTIPLE ROUTE MARKER ASSEMBLIES	7/19	S-18 SHT 2	ALUMINUM GRAFFITI SHIELD RIGHT RIDER SIDE PANEL
6/14	S-3 SHT 13	SPECIAL SIGN ASSEMBLIES	7/19	S-18 SHT 3	ALUMINUM GRAFFITI SHIELD LEFT RIDER SIDE PANEL
6/14	S-3 SHT 14	STRINGER DETAILS FOR SQUARE TUBE POSTS	7/19	S-18 SHT 4	ALUMINUM GRAFFITI SHIELD CORNER
6/14	S-3 SHT 15	SQUARE TUBE SIGN POST FOUNDATION	7/19	S-18 SHT 5	ALUMINUM GRAFFITI SHIELD SPLICE PLATE
6/14	S-3 SHT 16	SQUARE TUBE POST SLIP BASE DETAILS	7/19	S-18 SHT 6	ALUMINUM GRAFFITI SHIELD FIN
6/14	S-4	W SHAPE BREAKAWAY POST FUSE PLATE AND HINGE DETAILS	7/19	S-18 SHT 7	ALUMINUM GRAFFITI SHIELD TOP PANEL
6/14	S-5	W SHAPE BREAKAWAY POST DETAILS	7/19	S-18 SHT 8	ALUMINUM GRAFFITI SHIELD SIDE PANEL
6/14	S-6	S4x7.7 BREAKAWAY POST DETAILS	7/19	S-18 SHT 9	ALUMINUM GRAFFITI SHIELD RIGHT TRANSITION FROM RIDER
6/14	S-7 SHT 1	ALUMINUM EXTRUSION SIGN PANEL DETAILS	7/19	S-18 SHT 10	ALUMINUM GRAFFITI SHIELD LEFT TRANSITION FROM RIDER
6/14	S-7 SHT 2	ALUMINUM EXTRUSION AUXILIARY SIGN INSTALLATION DETAILS	7/19	S-18 SHT 11	ALUMINUM GRAFFITI SHIELD SPLICE PLATE FOR FIN
5/15	S-7 SHT 3	ALUMINUM EXTRUSION EXIT PANEL INSTALLATION DETAILS	12/18	C-1	SAND BARREL CRASH CUSHION
6/14	S-8 SHT 1	FLAT SHEET ALUMINUM PANEL ON BREAKAWAY POSTS INSTALLATION DETAIL	12/18	C-2	SAND BARREL CRASH CUSHION TYPICAL INSTALLATION
6/14	S-8 SHT 2	ALUMINUM EXTRUSION SIGN TO PERFORATED POSTS INSTALLATION DETAIL	6/14	C-3 SHT 1	PRECAST CONCRETE BARRIER STRUCTURAL DETAILS
6/14	S-9 SHT 1	SIGN INSTALLATION ON POLE	6/14	C-3 SHT 2	PRECAST CONCRETE BARRIER PIN AND LOOP ASSEMBLY
6/14	S-9 SHT 2	SIGN INSTALLATION ON SIGNAL POLE	6/14	C-4 SHT 1	MEDIAN CROSSOVER
9/18	S-9 SHT 3	SIGN INSTALLATION ON POLE BAND-TYPE CLAMP	6/14	C-4 SHT 2	TYPICAL END TREATMENTS FOR DETOURS USING TEMPORARY CONCRETE BARRIER (TCB)
6/14	S-10	MILEPOST AND REFERENCE LOCATION SIGNS	6/14	C-5 SHT 1	APPROACH PLATE AND TRANSITION SECTION FOR TEMPORARY CONCRETE BARRIER
4/19	S-11 SHT 1	TAPERED TUBE SIGN STRUCTURE SINGLE BEAM	6/14	C-5 SHT 2	APPROACH PLATE AND TRANSITION SECTION FOR TEMPORARY CONCRETE BARRIER
4/19	S-11 SHT 2	TAPERED TUBE SIGN STRUCTURE SINGLE BEAM POST AND BEAM DETAILS			

ADOT STANDARD DRAWINGS			
REVISION DATES and STANDARD NO.'s REVIEW			
SIGNING & MARKING STANDARDS	NAME	DATE	
	C. LITIN	10/2021	
PROJECT NO.	040 YV 122 F0161 OIC	1B-2	OF 87
RECORD DRAWING DATA	FEDERAL AID NO. 040-B(229)T	REC. DWG. DATE	OF

ADOT STANDARD DRAWINGS

STRUCTURE DETAIL DRAWINGS
EFFECTIVE FEBRUARY 2020

REVISION DATE	SD NUMBER	SUBJECT
RAILINGS		
01/20	SD 1.10 (1 OF 2)	38" SINGLE SLOPE BRIDGE CONCRETE BARRIER AND TRANSITION
01/20	SD 1.10 (2 OF 2)	38" SINGLE SLOPE BRIDGE CONCRETE BARRIER AND TRANSITION
01/20	SD 1.11 (1 OF 2)	42" SINGLE SLOPE BRIDGE CONCRETE BARRIER AND TRANSITION
01/20	SD 1.11 (2 OF 2)	42" SINGLE SLOPE BRIDGE CONCRETE BARRIER AND TRANSITION
01/20	SD 1.12	COMBINATION PEDESTRIAN-TRAFFIC BRIDGE RAILING
01/20	SD 1.13	PEDESTRIAN FENCE FOR BRIDGE RAILING SD 1.12
01/20	SD 1.20	32" TYPE F ROADWAY BARRIER TRANSITION TO 38" SINGLE SLOPE BRIDGE BARRIER
01/20	SD 1.21	32" TYPE F ROADWAY BARRIER TRANSITION TO 42" SINGLE SLOPE BRIDGE BARRIER
01/20	SD 1.22	42" TYPE F ROADWAY BARRIER TRANSITION TO 42" SINGLE SLOPE BRIDGE BARRIER
01/20	SD 1.30	BARRIER JUNCTION BOX
APPROACHES		
12/07	SD 2.01	APPROACH SLAB DETAILS
12/07	SD 2.02	TYPE 1 ANCHOR SLAB DETAILS
12/07	SD 2.03	TYPE 2 ANCHOR SLAB DETAILS
09/09	SD 2.04	SLOPE PAVING DETAILS
DECK JOINTS		
02/20	SD 3.01	DECK JOINT ASSEMBLY - COMPRESSION SEAL
02/20	SD 3.02	DECK JOINT ASSEMBLY - STRIP SEAL
02/20	SD 3.03 (1 OF 2)	DECK JOINT ASSEMBLY - FLANGELESS STRIP SEAL
02/20	SD 3.03 (2 OF 2)	DECK JOINT ASSEMBLY - FLANGELESS STRIP SEAL
SUBSTRUCTURE		
11/12	SD 5.01	STRUCTURAL EXCAVATION - PAYMENT LIMITS
11/12	SD 5.02	STRUCTURE BACKFILL - PAYMENT LIMITS
DRAINAGE STRUCTURES		
05/15	SD 6.01 (1 OF 5)	RE INFORCED CONCRETE BOX CULVERTS - MISCELLANEOUS DETAILS
02/12	SD 6.01 (2 OF 5)	RE INFORCED CONCRETE BOX CULVERTS - MISCELLANEOUS DETAILS
02/12	SD 6.01 (3 OF 5)	RE INFORCED CONCRETE BOX CULVERTS - EXTENSION DETAILS
02/12	SD 6.01 (4 OF 5)	RE INFORCED CONCRETE BOX CULVERTS - STRUCTURAL EXCAVATION & STRUCTURE BACKFILL
05/15	SD 6.01 (5 OF 5)	RE INFORCED CONCRETE BOX CULVERTS - SINGLE BARREL (0'-30' FILLS)
05/15	SD 6.02 (1 OF 2)	RE INFORCED CONCRETE BOX CULVERTS - DOUBLE BARREL (0'-15' FILLS)
05/15	SD 6.02 (2 OF 2)	RE INFORCED CONCRETE BOX CULVERTS - DOUBLE BARREL (15'-30' FILLS)
05/15	SD 6.03 (1 OF 2)	RE INFORCED CONCRETE BOX CULVERTS - TRIPLE BARREL (0'-15' FILLS)
05/15	SD 6.03 (2 OF 2)	RE INFORCED CONCRETE BOX CULVERTS - TRIPLE BARREL (15'-30' FILLS)
05/15	SD 6.04 (1 OF 2)	RE INFORCED CONCRETE BOX CULVERTS - FOUR BARREL (0'-15' FILLS)
05/15	SD 6.04 (2 OF 2)	RE INFORCED CONCRETE BOX CULVERTS - FOUR BARREL (15'-30' FILLS)
05/15	SD 6.05 (1 OF 2)	RE INFORCED CONCRETE BOX CULVERTS - FIVE BARREL (0'-15' FILLS)
05/15	SD 6.05 (2 OF 2)	RE INFORCED CONCRETE BOX CULVERTS - FIVE BARREL (15'-30' FILLS)
05/15	SD 6.06 (1 OF 2)	RE INFORCED CONCRETE BOX CULVERTS - SIX BARREL (0'-15' FILLS)
05/15	SD 6.06 (2 OF 2)	RE INFORCED CONCRETE BOX CULVERTS - SIX BARREL (15'-30' FILLS)
02/12	SD 6.07	RE INFORCED CONCRETE BOX CULVERTS - 16' x 14' EQUIPMENT PASS (0'-20' FILLS)
05/15	SD 6.08 (1 OF 8)	RE INFORCED CONCRETE BOX CULVERTS - OUTLET WINGS - SKEW 0° to 20° - CULVERT HEIGHT 3' to 7'
02/12	SD 6.08 (2 OF 8)	RE INFORCED CONCRETE BOX CULVERTS - OUTLET WINGS - SKEW 0° to 20° - CULVERT HEIGHT 8' to 12'
05/15	SD 6.08 (3 OF 8)	RE INFORCED CONCRETE BOX CULVERTS - INLET WINGS - SKEW 0° to 20° - CULVERT HEIGHT 3' to 7'
02/12	SD 6.08 (4 OF 8)	RE INFORCED CONCRETE BOX CULVERTS - INLET WINGS - SKEW 0° to 20° - CULVERT HEIGHT 8' to 12'
05/15	SD 6.08 (5 OF 8)	RE INFORCED CONCRETE BOX CULVERTS - OUTLET WINGS - SKEW 25° to 45° - CULVERT HEIGHT 3' to 7'
02/12	SD 6.08 (6 OF 8)	RE INFORCED CONCRETE BOX CULVERTS - OUTLET WINGS - SKEW 25° to 45° - CULVERT HEIGHT 8' to 12'
05/15	SD 6.08 (7 OF 8)	RE INFORCED CONCRETE BOX CULVERTS - INLET WINGS - SKEW 25° to 45° - CULVERT HEIGHT 3' to 7'
02/12	SD 6.08 (8 OF 8)	RE INFORCED CONCRETE BOX CULVERTS - INLET WINGS - SKEW 25° to 45° - CULVERT HEIGHT 8' to 12'
05/15	SD 6.09 (1 OF 3)	RE INFORCED CONCRETE BOX CULVERTS - HEADWALL QUANTITIES - 2 : 1 SLOPE
05/15	SD 6.09 (2 OF 3)	RE INFORCED CONCRETE BOX CULVERTS - HEADWALL QUANTITIES - 4 : 1 SLOPE
05/15	SD 6.09 (3 OF 3)	RE INFORCED CONCRETE BOX CULVERTS - HEADWALL QUANTITIES - 6 : 1 SLOPE
05/15	SD 6.10 (1 OF 2)	RE INFORCED CONCRETE BOX CULVERTS - INLET OR OUTLET - LEVEL WINGS - CULVERT HEIGHT 3' to 7'
02/12	SD 6.10 (2 OF 2)	RE INFORCED CONCRETE BOX CULVERTS - INLET OR OUTLET - LEVEL WINGS - CULVERT HEIGHT 8' to 12'
02/12	SD 6.11 (1 OF 4)	RE INFORCED CONCRETE BOX CULVERTS - OUTLET APRON DETAILS
05/15	SD 6.11 (2 OF 4)	RE INFORCED CONCRETE BOX CULVERTS - OUTLET APRON - DIMENSIONS & QUANTITIES (2 : 1 SLOPE)
05/15	SD 6.11 (3 OF 4)	RE INFORCED CONCRETE BOX CULVERTS - OUTLET APRON - DIMENSIONS & QUANTITIES (4 : 1 SLOPE)
05/15	SD 6.11 (4 OF 4)	RE INFORCED CONCRETE BOX CULVERTS - OUTLET APRON - DIMENSIONS & QUANTITIES (6 : 1 SLOPE)
07/12	SD 6.30 (1 OF 5)	PIPE CULVERT HEADWALLS - MISCELLANEOUS DETAILS
07/12	SD 6.30 (2 OF 5)	PIPE CULVERT HEADWALLS - INLET AND OUTLET - 18" to 42" PIPES
07/12	SD 6.30 (3 OF 5)	PIPE CULVERT HEADWALLS - RIGHT ANGLE INLET AND OUTLET - 48" to 84" PIPES
07/12	SD 6.30 (4 OF 5)	PIPE CULVERT HEADWALLS - SKEWED INLET AND OUTLET - 48" to 84" PIPES
07/12	SD 6.30 (5 OF 5)	PIPE CULVERT HEADWALLS - MULTI-PIPE - 48" to 84" PIPES
07/12	SD 6.31 (1 OF 8)	PIPE CULVERT HEADWALLS - RIGHT ANGLE INLET
07/12	SD 6.31 (2 OF 8)	PIPE CULVERT HEADWALLS - RIGHT ANGLE INLET - 2 : 1 SLOPE
07/12	SD 6.31 (3 OF 8)	PIPE CULVERT HEADWALLS - RIGHT ANGLE INLET - 4 : 1 SLOPE
07/12	SD 6.31 (4 OF 8)	PIPE CULVERT HEADWALLS - RIGHT ANGLE INLET - 6 : 1 SLOPE
07/12	SD 6.31 (5 OF 8)	PIPE CULVERT HEADWALLS - RIGHT ANGLE OUTLET
07/12	SD 6.31 (6 OF 8)	PIPE CULVERT HEADWALLS - RIGHT ANGLE OUTLET - 2 : 1 SLOPE
07/12	SD 6.31 (7 OF 8)	PIPE CULVERT HEADWALLS - RIGHT ANGLE OUTLET - 4 : 1 SLOPE
07/12	SD 6.31 (8 OF 8)	PIPE CULVERT HEADWALLS - RIGHT ANGLE OUTLET - 6 : 1 SLOPE
07/12	SD 6.32 (1 OF 8)	PIPE CULVERT HEADWALLS - 15° SKEW INLET
07/12	SD 6.32 (2 OF 8)	PIPE CULVERT HEADWALLS - 15° SKEW INLET - 2 : 1 SLOPE
07/12	SD 6.32 (3 OF 8)	PIPE CULVERT HEADWALLS - 15° SKEW INLET - 4 : 1 SLOPE
07/12	SD 6.32 (4 OF 8)	PIPE CULVERT HEADWALLS - 15° SKEW INLET - 6 : 1 SLOPE
07/12	SD 6.32 (5 OF 8)	PIPE CULVERT HEADWALLS - 15° SKEW OUTLET
07/12	SD 6.32 (6 OF 8)	PIPE CULVERT HEADWALLS - 15° SKEW OUTLET - 2 : 1 SLOPE
07/12	SD 6.32 (7 OF 8)	PIPE CULVERT HEADWALLS - 15° SKEW OUTLET - 4 : 1 SLOPE
07/12	SD 6.32 (8 OF 8)	PIPE CULVERT HEADWALLS - 15° SKEW OUTLET - 6 : 1 SLOPE

REVISION DATE	SD NUMBER	SUBJECT
DRAINAGE STRUCTURES (Continued)		
07/12	SD 6.33 (1 OF 8)	PIPE CULVERT HEADWALLS - 30° SKEW INLET
07/12	SD 6.33 (2 OF 8)	PIPE CULVERT HEADWALLS - 30° SKEW INLET - 2 : 1 SLOPE
07/12	SD 6.33 (3 OF 8)	PIPE CULVERT HEADWALLS - 30° SKEW INLET - 4 : 1 SLOPE
07/12	SD 6.33 (4 OF 8)	PIPE CULVERT HEADWALLS - 30° SKEW INLET - 6 : 1 SLOPE
07/12	SD 6.33 (5 OF 8)	PIPE CULVERT HEADWALLS - 30° SKEW OUTLET
07/12	SD 6.33 (6 OF 8)	PIPE CULVERT HEADWALLS - 30° SKEW OUTLET - 2 : 1 SLOPE
07/12	SD 6.33 (7 OF 8)	PIPE CULVERT HEADWALLS - 30° SKEW OUTLET - 4 : 1 SLOPE
07/12	SD 6.33 (8 OF 8)	PIPE CULVERT HEADWALLS - 30° SKEW OUTLET - 6 : 1 SLOPE
07/12	SD 6.34 (1 OF 8)	PIPE CULVERT HEADWALLS - 45° SKEW INLET
07/12	SD 6.34 (2 OF 8)	PIPE CULVERT HEADWALLS - 45° SKEW INLET - 2 : 1 SLOPE
07/12	SD 6.34 (3 OF 8)	PIPE CULVERT HEADWALLS - 45° SKEW INLET - 4 : 1 SLOPE
07/12	SD 6.34 (4 OF 8)	PIPE CULVERT HEADWALLS - 45° SKEW INLET - 6 : 1 SLOPE
07/12	SD 6.34 (5 OF 8)	PIPE CULVERT HEADWALLS - 45° SKEW OUTLET
07/12	SD 6.34 (6 OF 8)	PIPE CULVERT HEADWALLS - 45° SKEW OUTLET - 2 : 1 SLOPE
07/12	SD 6.34 (7 OF 8)	PIPE CULVERT HEADWALLS - 45° SKEW OUTLET - 4 : 1 SLOPE
07/12	SD 6.34 (8 OF 8)	PIPE CULVERT HEADWALLS - 45° SKEW OUTLET - 6 : 1 SLOPE
07/12	SD 6.35 (1 OF 2)	PIPE CULVERT HEADWALLS - MULTI-PIPE WITHOUT APRON
07/12	SD 6.35 (2 OF 2)	PIPE CULVERT HEADWALLS - MULTI-PIPE WITH OUTLET APRON
07/12	SD 6.36 (1 OF 4)	PIPE CULVERT HEADWALLS - OUTLET APRONS
07/12	SD 6.36 (2 OF 4)	PIPE CULVERT HEADWALLS - OUTLET APRON STEEL LIST - 2 : 1 SLOPE
07/12	SD 6.36 (3 OF 4)	PIPE CULVERT HEADWALLS - OUTLET APRON STEEL LIST - 4 : 1 SLOPE
07/12	SD 6.36 (4 OF 4)	PIPE CULVERT HEADWALLS - OUTLET APRON STEEL LIST - 6 : 1 SLOPE
RETAINING WALLS		
01/15	SD 7.01 (1 OF 5)	RETAINING WALL (REINFORCED CONCRETE CANTILEVER)
01/15	SD 7.01 (2 OF 5)	RETAINING WALL (REINFORCED CONCRETE CANTILEVER)
01/15	SD 7.01 (3 OF 5)	RETAINING WALL (REINFORCED CONCRETE CANTILEVER)
01/15	SD 7.01 (4 OF 5)	RETAINING WALL (REINFORCED CONCRETE CANTILEVER)
01/15	SD 7.01 (5 OF 5)	RETAINING WALL (REINFORCED CONCRETE CANTILEVER)
09/10	SD 7.02 (1 OF 2)	RETAINING WALL (MASONRY CANTILEVER)
09/10	SD 7.02 (2 OF 2)	RETAINING WALL (MASONRY CANTILEVER)
SOUND BARRIER WALLS		
04/10	SD 8.01	SOUND BARRIER WALL (CONCRETE)
01/13	SD 8.02 (1 OF 2)	SOUND BARRIER WALL (MASONRY)
01/13	SD 8.02 (2 OF 2)	SOUND BARRIER WALL (MASONRY)
TRAFFIC STRUCTURES		
04/19	SD 9.01 (1 OF 5)	MEDIAN SIGN STRUCTURE (TWO SIDED) - ELEVATION & NOTES
04/19	SD 9.01 (2 OF 5)	MEDIAN SIGN STRUCTURE (TWO SIDED) - FOUNDATION DETAILS
04/19	SD 9.01 (3 OF 5)	MEDIAN SIGN STRUCTURE (TWO SIDED) - TYPE A SIGN MOUNT ASSEMBLY
04/19	SD 9.01 (4 OF 5)	MEDIAN SIGN STRUCTURE (TWO SIDED) - TYPE B SIGN MOUNT ASSEMBLY
04/19	SD 9.01 (5 OF 5)	MEDIAN SIGN STRUCTURE (TWO SIDED) - LIGHT SUPPORT AND MISC. DETAILS
04/19	SD 9.02 (1 OF 5)	MEDIAN SIGN STRUCTURE (ONE SIDED) - ELEVATION & NOTES
04/19	SD 9.02 (2 OF 5)	MEDIAN SIGN STRUCTURE (ONE SIDED) - FOUNDATION DETAILS
04/19	SD 9.02 (3 OF 5)	MEDIAN SIGN STRUCTURE (ONE SIDED) - TYPE A SIGN MOUNT ASSEMBLY
04/19	SD 9.02 (4 OF 5)	MEDIAN SIGN STRUCTURE (ONE SIDED) - TYPE B SIGN MOUNT ASSEMBLY
04/19	SD 9.02 (5 OF 5)	MEDIAN SIGN STRUCTURE (ONE SIDED) - LIGHT SUPPORT AND MISC. DETAILS
04/19	SD 9.10 (1 OF 5)	TUBULAR SIGN STRUCTURES - TUBULAR CANTILEVER - GENERAL PLAN
04/19	SD 9.10 (2 OF 5)	TUBULAR SIGN STRUCTURES - TUBULAR CANTILEVER - FOUNDATION DETAILS
04/19	SD 9.10 (3 OF 5)	TUBULAR SIGN STRUCTURES - TUBULAR CANTILEVER - POST AND MAST ARM DETAILS
04/19	SD 9.10 (4 OF 5)	TUBULAR SIGN STRUCTURES - TUBULAR CANTILEVER - SIGN SUPPORT DETAILS
04/19	SD 9.10 (5 OF 5)	TUBULAR SIGN STRUCTURES - TUBULAR CANTILEVER - LIGHT SUPPORT DETAILS
04/19	SD 9.20 (1 OF 5)	TUBULAR SIGN STRUCTURES - TUBULAR FRAME - GENERAL PLAN
04/19	SD 9.20 (2 OF 5)	TUBULAR SIGN STRUCTURES - TUBULAR FRAME - FOUNDATION DETAILS
04/19	SD 9.20 (3 OF 5)	TUBULAR SIGN STRUCTURES - TUBULAR FRAME - POST AND MAST ARM DETAILS
04/19	SD 9.20 (4 OF 5)	TUBULAR SIGN STRUCTURES - TUBULAR FRAME - SIGN SUPPORT DETAILS
04/19	SD 9.20 (5 OF 5)	TUBULAR SIGN STRUCTURES - TUBULAR FRAME - LIGHT SUPPORT AND MISC. DETAILS
04/19	SD 9.50 (1 OF 5)	VARIABLE MESSAGE SIGN - TUBULAR FRAME - PLAN & ELEVATION
04/19	SD 9.50 (2 OF 5)	VARIABLE MESSAGE SIGN - TUBULAR FRAME - MOUNTING DETAILS
04/19	SD 9.50 (3 OF 5)	VARIABLE MESSAGE SIGN - TUBULAR FRAME - MOUNTING & SIGN BRACKET DETAILS
04/19	SD 9.50 (4 OF 5)	VARIABLE MESSAGE SIGN - CATWALK - HANDRAIL DETAILS
04/19	SD 9.50 (5 OF 5)	VARIABLE MESSAGE SIGN - CATWALK - MISCELLANEOUS DETAILS
04/19	SD 9.51	DUAL VARIABLE MESSAGE SIGN - TUBULAR FRAME
04/19	SD 9.52 (1 OF 5)	DYNAMIC MESSAGE SIGN - TUBULAR FRAME - PLAN & ELEVATION
04/19	SD 9.52 (2 OF 5)	DYNAMIC MESSAGE SIGN - TUBULAR FRAME - MOUNTING DETAILS
04/19	SD 9.52 (3 OF 5)	DYNAMIC MESSAGE SIGN - TUBULAR FRAME - MOUNTING DETAILS
04/19	SD 9.52 (4 OF 5)	DYNAMIC MESSAGE SIGN - CATWALK - HANDRAIL DETAILS
04/19	SD 9.52 (5 OF 5)	DYNAMIC MESSAGE SIGN - CATWALK - MISCELLANEOUS DETAILS
04/19	SD 9.53 (1 OF 5)	DMS (VARIABLE TILT CABINET) - TUBULAR FRAME - PLAN & ELEVATION
04/19	SD 9.53 (2 OF 5)	DMS (VARIABLE TILT CABINET) - TUBULAR FRAME - MOUNTING DETAILS
04/19	SD 9.53 (3 OF 5)	DMS (VARIABLE TILT CABINET) - TUBULAR FRAME - MOUNTING DETAILS
04/19	SD 9.53 (4 OF 5)	DMS (VARIABLE TILT CABINET) - CATWALK - HANDRAIL DETAILS
04/19	SD 9.53 (5 OF 5)	DMS (VARIABLE TILT CABINET) - CATWALK - MISCELLANEOUS DETAILS

ADOT STANDARD DRAWINGS		
REVISION DATES and STANDARD NO.'s REVIEW		
NAME	DATE	
STRUCTURES Standards	E. Hoque	7/30/2021
PROJECT NO.	040 YV 122 FO161 OIC	ID of 87
RECORD DRAWING FEDERAL AID NO.	040-B(229)T	REC. DWG. DATE
DATA		

DATE: _____ LOCATION: _____ REVISIONS: _____ FINISHED PLANS: _____ SURVEY NO.: _____ DATE: _____ LOCATION: _____ REVISIONS: _____ FINISHED PLANS: _____ SURVEY NO.: _____

F.H.W.A. REGION	STATE	PROJECT NO.	SHEET NO.	TOTAL SHEETS	RECORD DRAWING
9	ARIZ.	040-B(229)T	2	87	

040 YV 122

REFERENCES

I-40-2(50)
Survey No. LS1326

MIDPOINT OF PROJECT

CENTRAL Zone
State Plane Coordinates
X=420,000
Y=1,570,000

DESIGN DATA

I-40
2022 AADT = 15,623
2042 AADT = 25,366
Design Speed = 75 MPH
Detour
Design Speed = 55 MPH

EARTHWORK QUANTITIES

Roadway Excavation (Detour)	191 CY
Shrink	19 CY
Pipe Excavation	208 CY
Shrink	21 CY
Structural Excavation	3 CY
Shrink	0 CY
Embankment (Detour) (Includes Gnd Comp)	7,831 CY
● Pipe Backfill	334 CY
● Structure Backfill	3 CY
Borrow In Place (Detour)	7,467 CY
■ Waste	7,329 CY

● Pipe Backfill and Structure Backfill quantities are assumed to be imported material.
■ Excavation/Waste resulting from detour removal.

EARTHWORK FACTORS

Station	Shrink/Swell	Ground Compaction
6395+07 to 6462+65	10% Shrink	0.10'

INDEX OF SHEETS

Sheet No.	Sheet Type
1	Facesheet
1A,1B,1D	ADOT Standard Drawings
2-5	Design Sheets
6	Barrier Summary Sheet
7	Pipe Summary Sheet
8-11	Detail Sheets
12-13	Staking Diagrams Sheets
14-15	Construction Sequence Sheets
16	Survey Control Sheet
17-19	Geometric Sheets
20-23	Detour Plan & Profile Sheets
24-25	Removal Sheets
26-28	Plan Sheets
29-47	Traffic Control Sheets
48-55	Pavement Marking and Signing Sheets
56-79	Bridge Sheets
80-87	Roadside Sheets

SOIL VALUES		
Station	PH	Resistivity ohm-cm
6395+07 to 6462+65	7.3	2,170(Min)

LENGTH OF PROJECT

I-40 Westbound

Sta 6395 + 06.86	to 6423 + 60.19 Bk	= 2,853.33' (Paving exception)
Sta 6423 + 39.53 Ahd	to 6426 + 86.00	= 346.47' (Paving exception)
Sta 6426 + 86.00	to 6427 + 31.00	= 45.00'
Sta 6427 + 31.00	to 6428 + 69.00	= 138.00' (Bridge + Approaches)
Sta 6428 + 69.00	to 6462 + 65.00	= 3,396.00'

I-40 Eastbound

Sta 6396 + 11.03	to 6423 + 18.87 Bk	= 2,707.84'
Sta 6423 + 39.53 Ahd	to 6427 + 31.00	= 391.47'
Sta 6427 + 31.00	to 6428 + 69.00	= 138.00' (Bridge + Approaches)
Sta 6428 + 69.00	to 6462 + 64.91	= 3,395.91'

Net Length = 6,640.80' - 1.26 Miles
Gross Length = 6,778.80' - 1.28 Miles
Mile Post 122.69 to 123.97 = 1.28 Miles

Net Length = 6,495.22' - 1.23 Miles
Gross Length = 6,633.22' - 1.26 Miles
Mile Post 122.74 to 124.00 = 1.26 Miles

GENERAL NOTES

The roadway plans have been designed utilizing the 2021 Construction Standard Drawings (C-Series) and current revisions. Refer to the 1A sheet for a listing of current revision dates.

The project roadway shall be striped and signed by the contractor in accordance with the current edition of the Signing and Marking Standard Drawings (M&S-Series) and the Pavement Marking and Signing plans.

Where only the horizontal location of an existing utility is shown, the location is approximate. Where both the horizontal and vertical location of an existing utility is shown, the location has been verified by field survey methods. The contractor shall comply with all current Blue Stake laws and Section 107.15 of the Specifications.

No New R/W or easements are required. For R/W information not shown, see Right-of-Way project No. f-008-2-802.

9 Tons of AC (Misc) and 15 Cu Yds of embankment (Milled AC) are estimated for construction of each Guardrail End Treatment Pad.

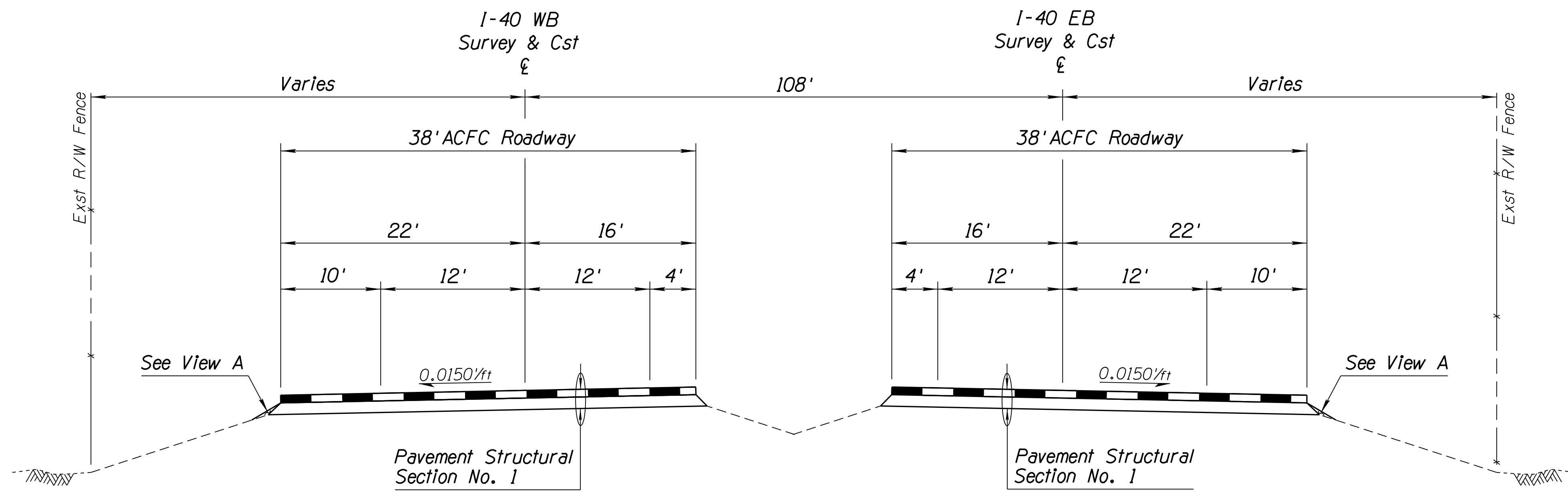
Survey Monuments shall not be disturbed during construction. If disturbed, the monuments shall be replaced at no additional cost to the Department.

Remove all trees with a diameter of 4" or more within the clear zone. See Special Provisions.

An Average User Delay Cost of \$1,376/day has been estimated for this project.

6,971 linear feet of shoulder build-up is estimated. Exact locations to be determined by the Engineer.

The average project elevation is 5,260'.



**TYPICAL SECTION
I-40 TRAVEL AND PASSING LANES**

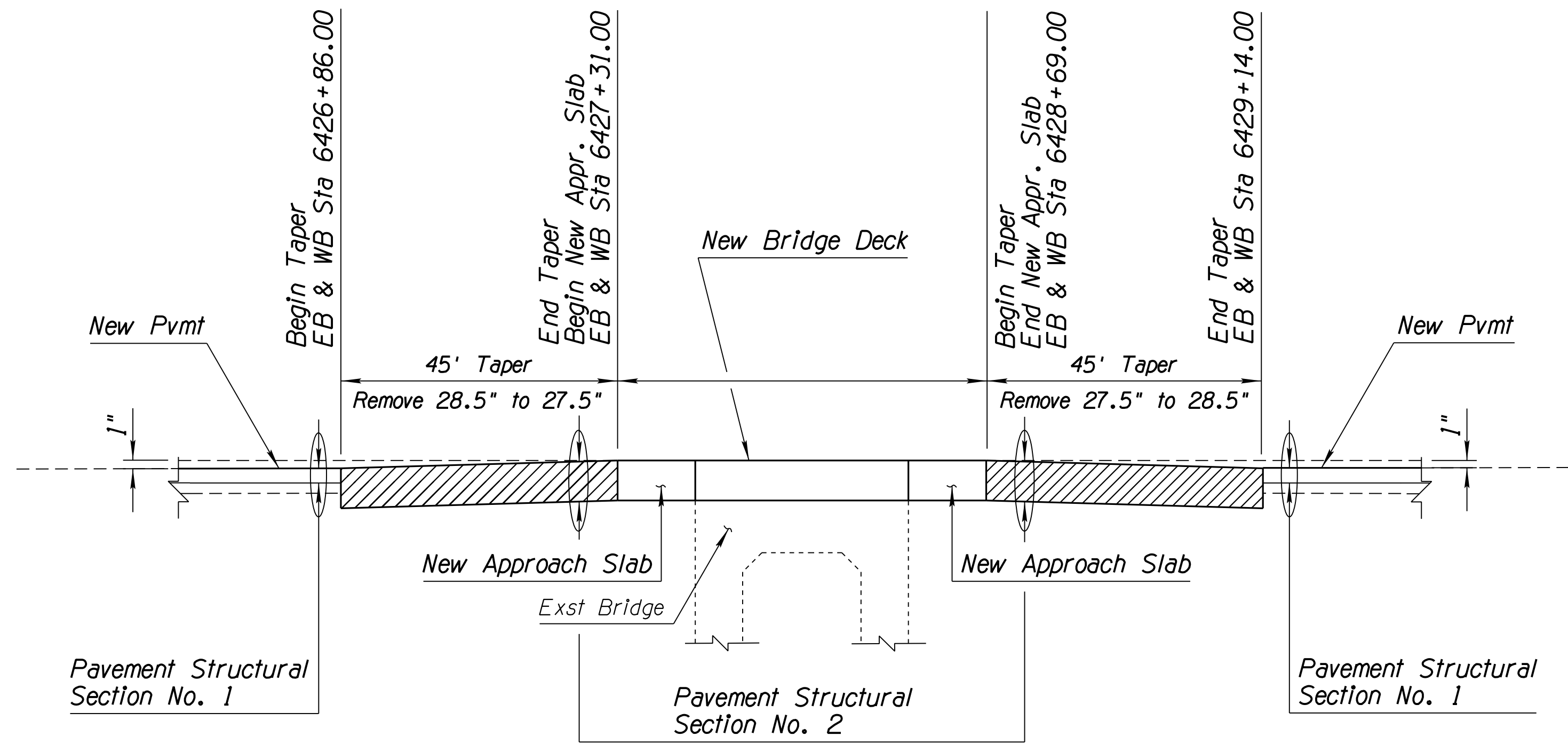
Sta 6429+14.00 to Sta 6462+65.00

Sta 6396+11.03 to Sta 6426+86.00
Sta 6429+14.00 to Sta 6462+64.91

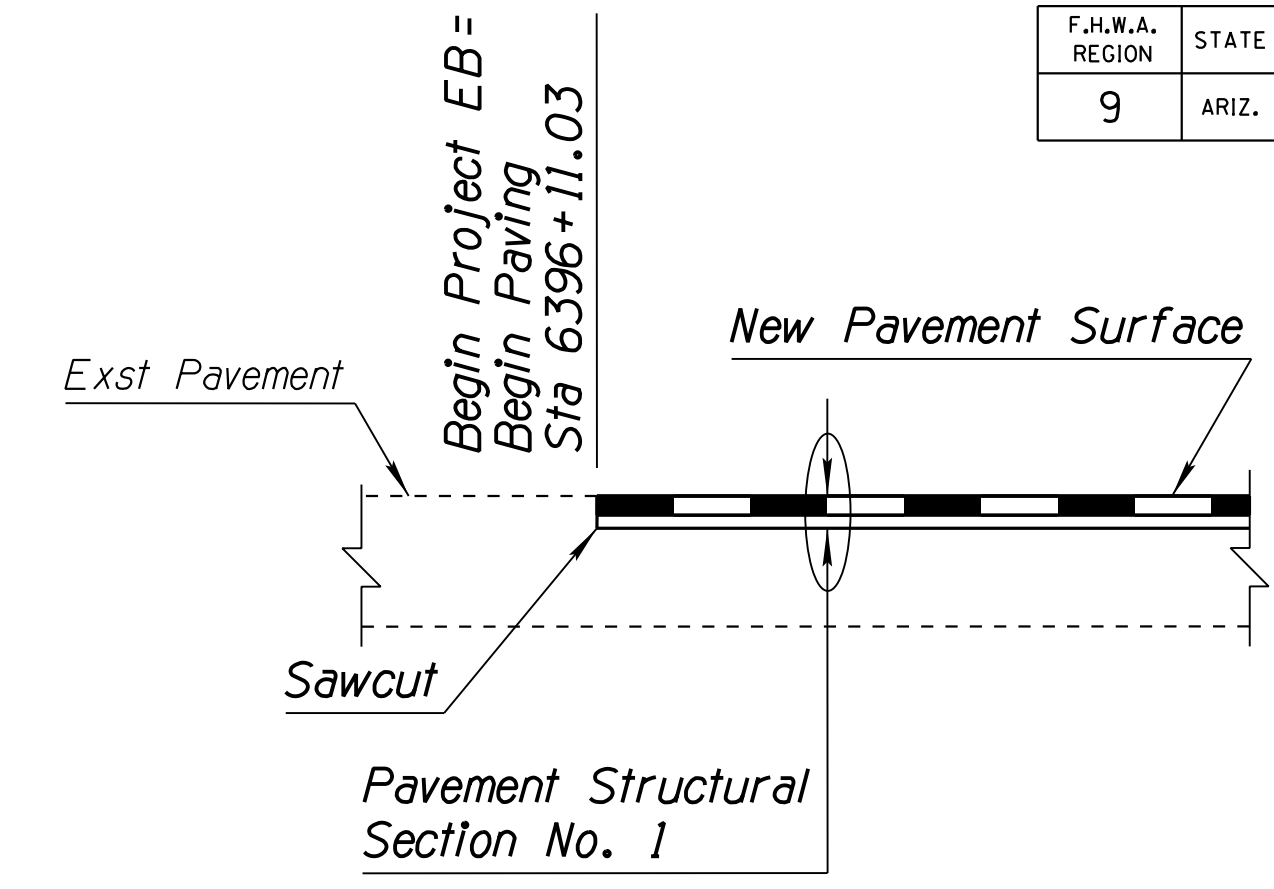
DESIGN	MB, AM	10/21	ARIZONA DEPARTMENT OF TRANSPORTATION INFRASTRUCTURE DELIVERY AND OPERATIONS DIVISION ROADWAY DESIGN SECTION	
DRAWN	MB, AM	10/21		
CHECKED	J KURLIN	10/21		
TEAM LEADER	M BLALOCK			
ROUTE 1-40			LOCATION EAST SELIGMAN TI OP, EB/WB	SHEET 1 OF 4
TRACS NO. FO161 OIC		040-B(229)T		OF

F.H.W.A. REGION	STATE	PROJECT NO.	SHEET NO.	TOTAL SHEETS	RECORD DRAWING
9	ARIZ.	040-B(229)T	3	87	

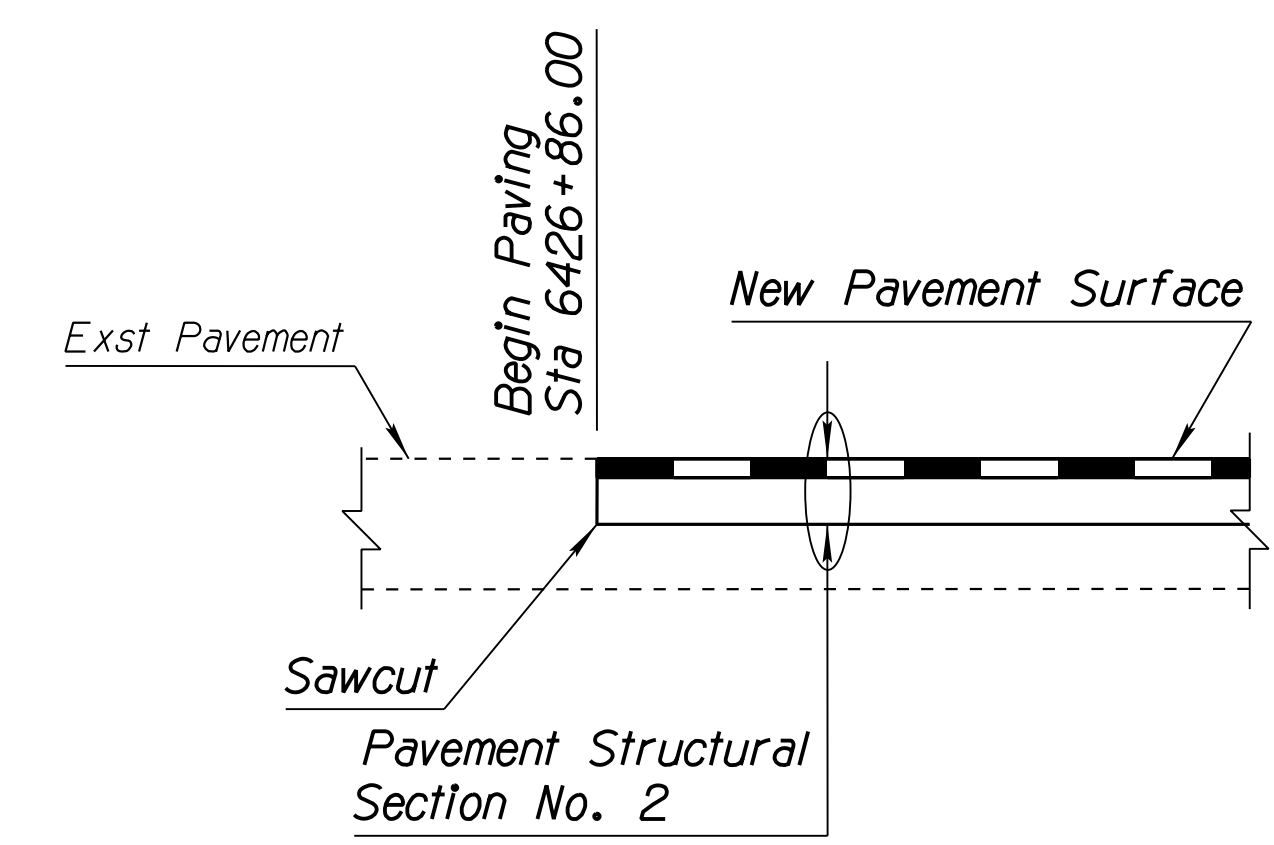
040 YV 122



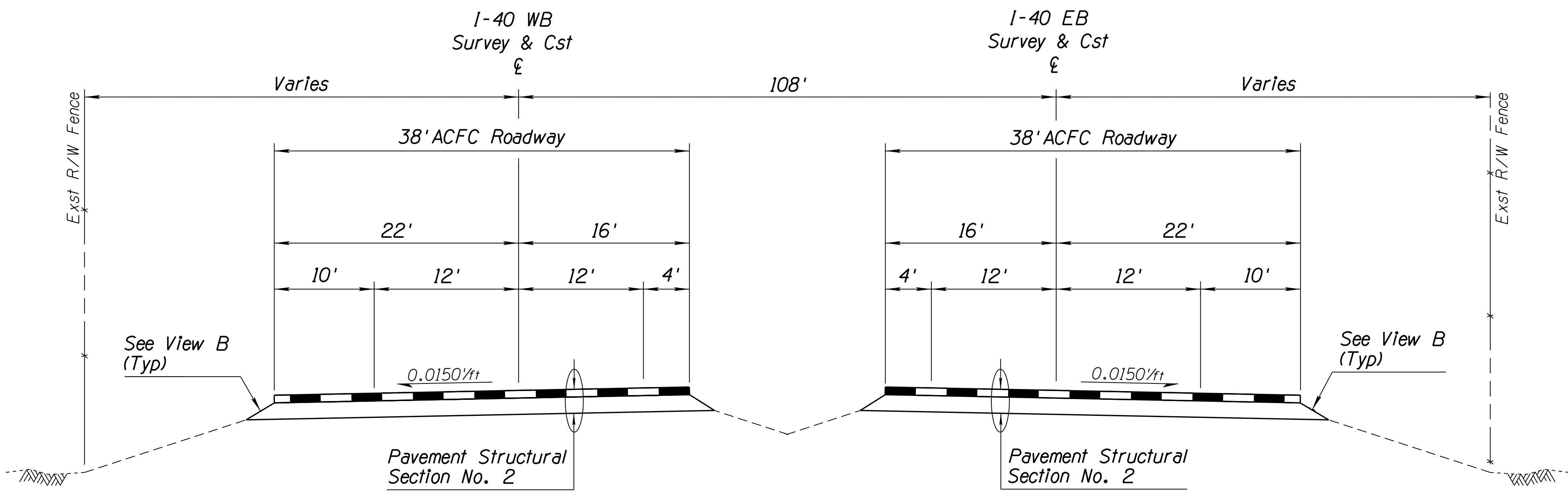
PAVEMENT VERTICAL TAPER AT BRIDGE APPROACHES EAST SELIGMAN TI OP EB & WB



TREATMENT AT BEGINNING OF PAVING EB



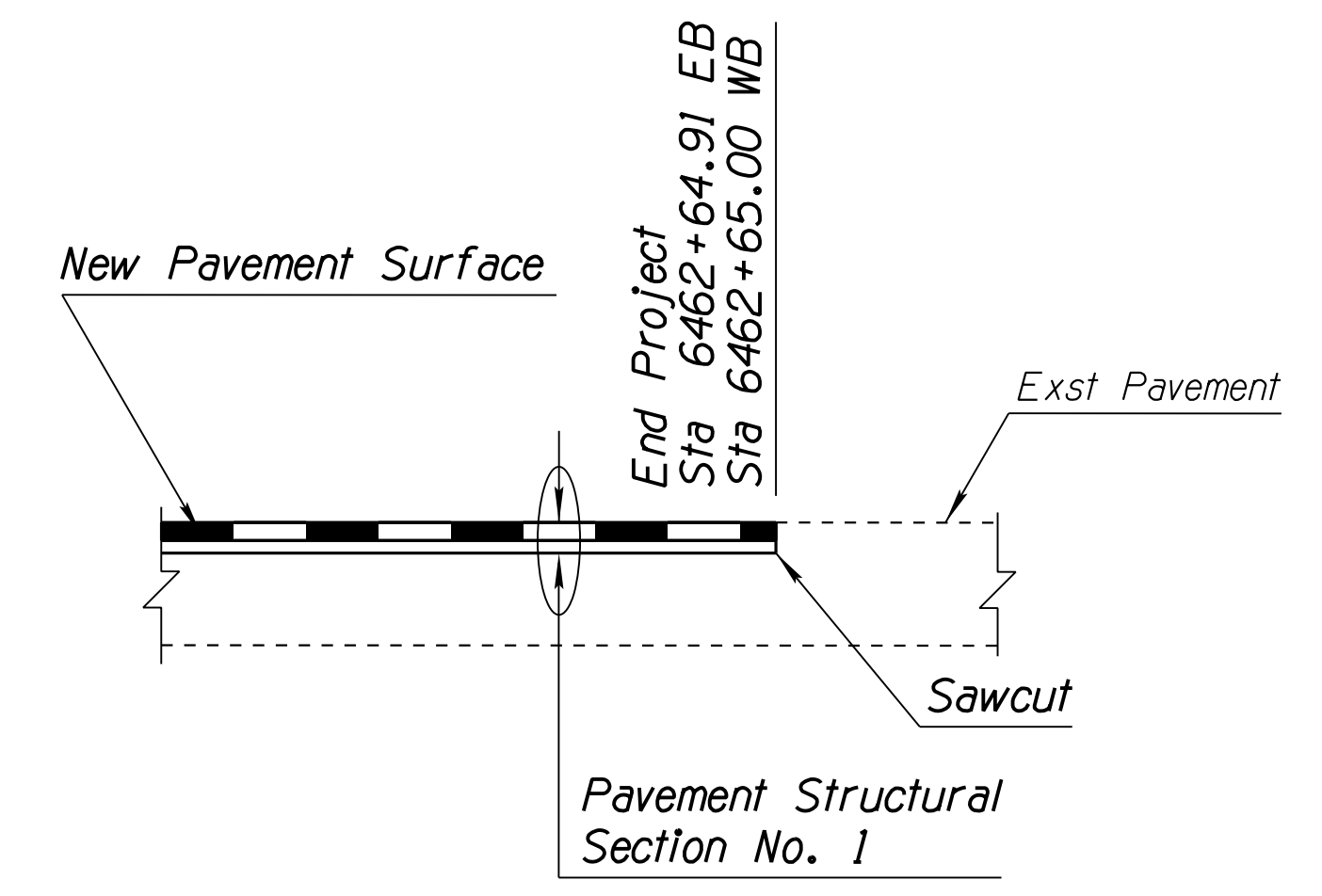
TREATMENT AT BEGINNING OF PAVING WB



TYPICAL SECTION I-40 TRAVEL AND PASSING LANES

Sta 6426+86.00 to Sta 6427+31.00
 Sta 6428+69.00 to Sta 6429+14.00

Sta 6426+86.00 to Sta 6427+31.00
 Sta 6428+69.00 to Sta 6429+14.00

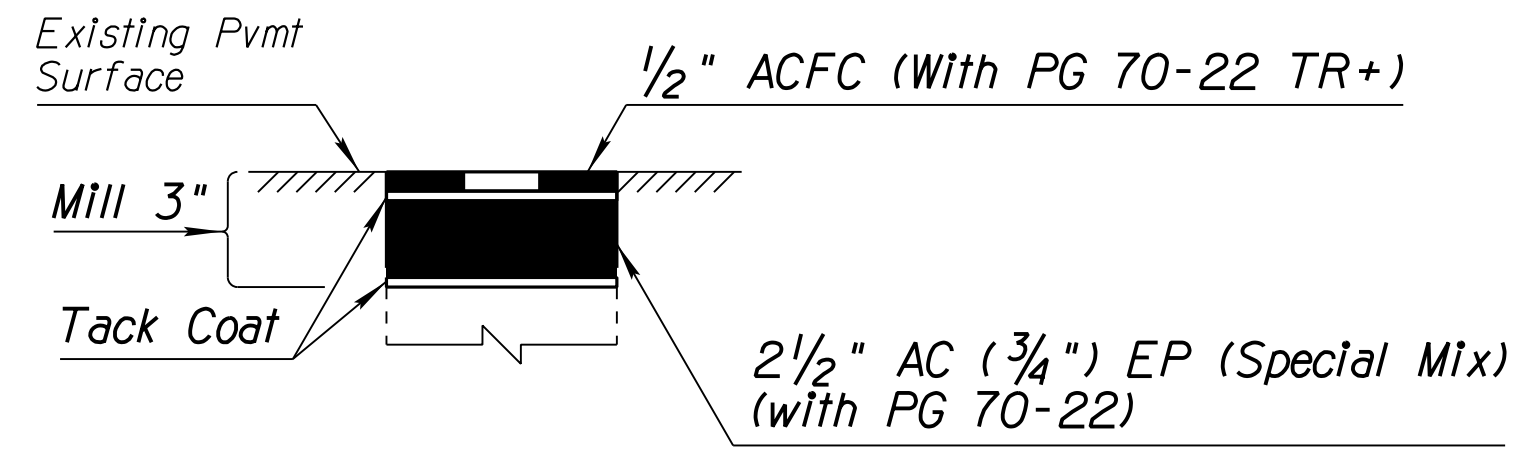


TREATMENT AT END OF PAVING

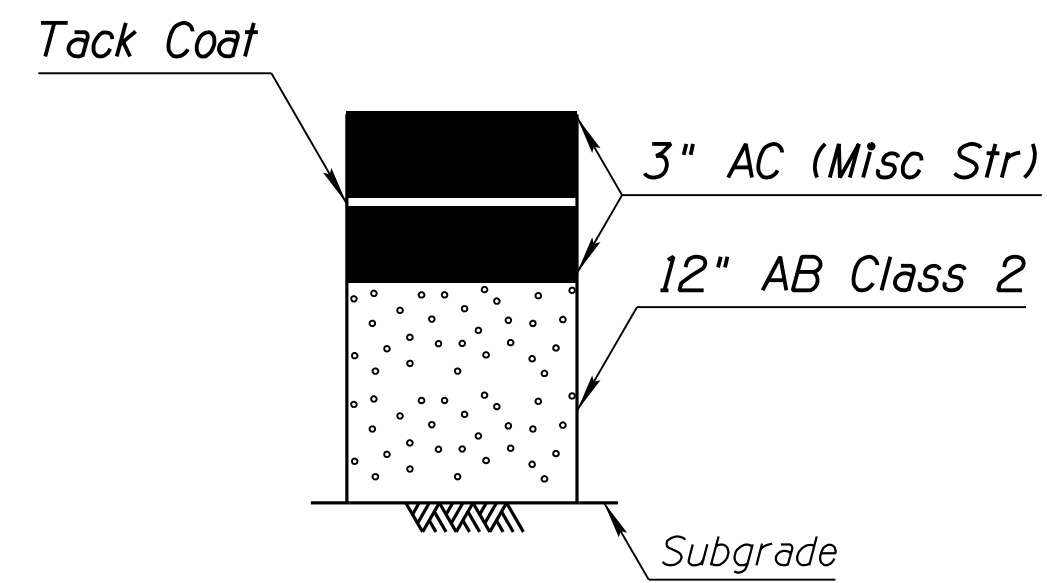
DESIGN	MB, AM	10/21	ARIZONA DEPARTMENT OF TRANSPORTATION INFRASTRUCTURE DELIVERY AND OPERATIONS DIVISION ROADWAY DESIGN SECTION	
DRAWN	MB, AM	10/21		
CHECKED	J KURLIN	10/21		
TEAM LEADER	M BLALOCK			
ROUTE 1-40			LOCATION EAST SELIGMAN TI OP, EB/WB	SHEET 2 OF 4
TRACS NO. F0161 01C			040-B(229)T	OF

F.H.W.A. REGION	STATE	PROJECT NO.	SHEET NO.	TOTAL SHEETS	RECORD DRAWING
9	ARIZ.	040-B(229)T	4	87	

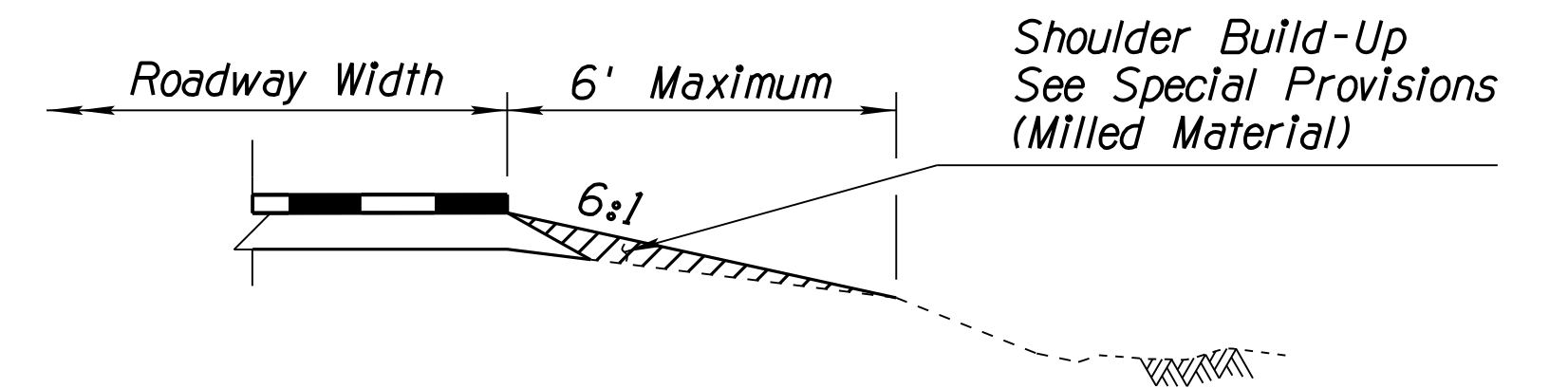
040 YV 122



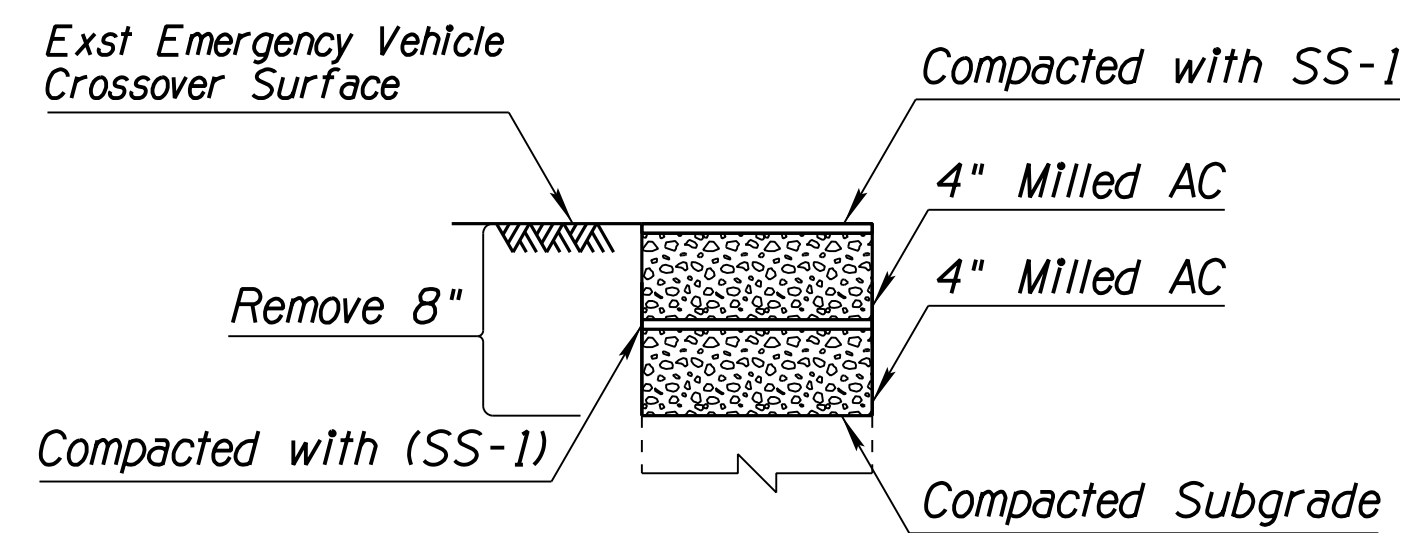
Total Thickness = 3"
SECTION NO. 1



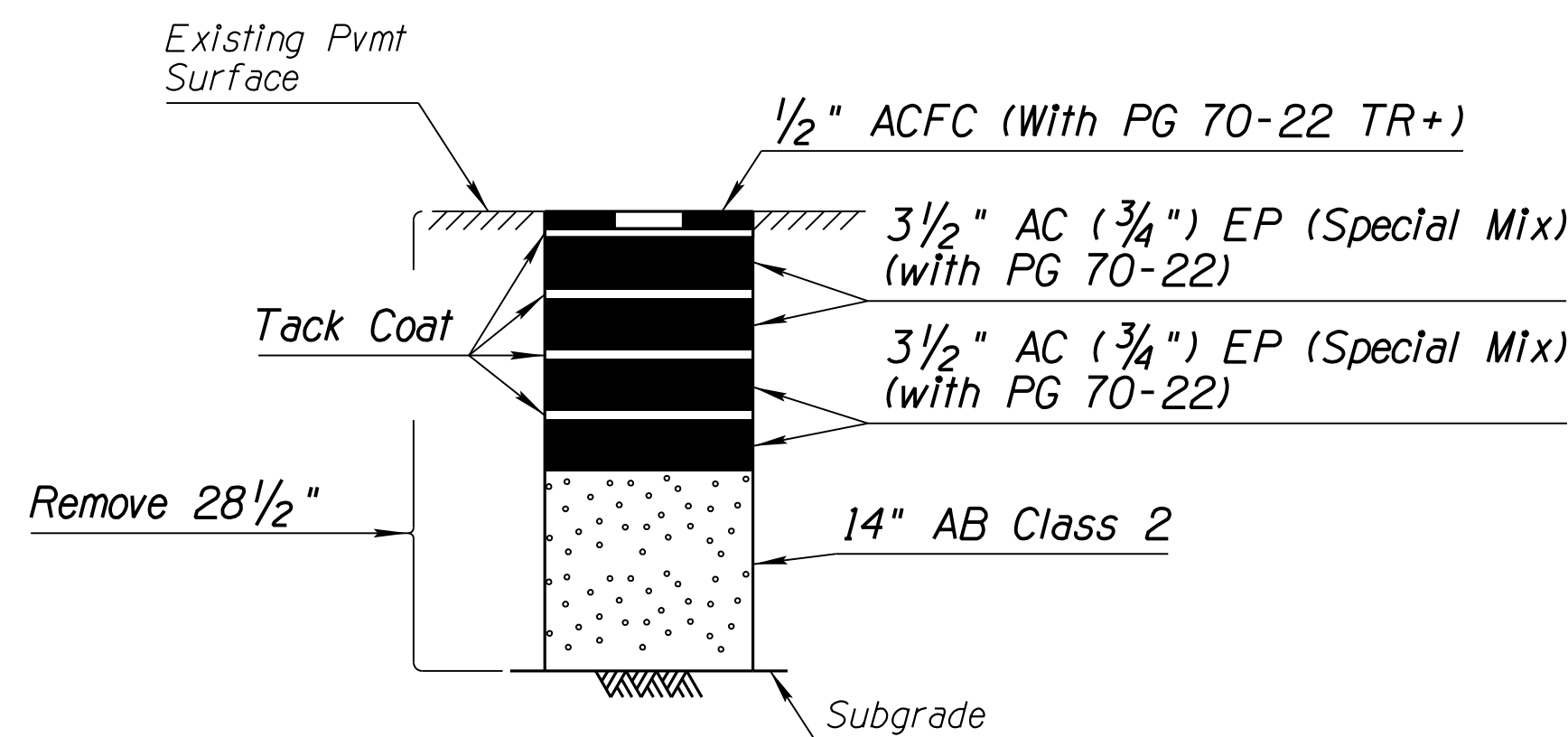
Total Thickness = 18"
SECTION NO. 3



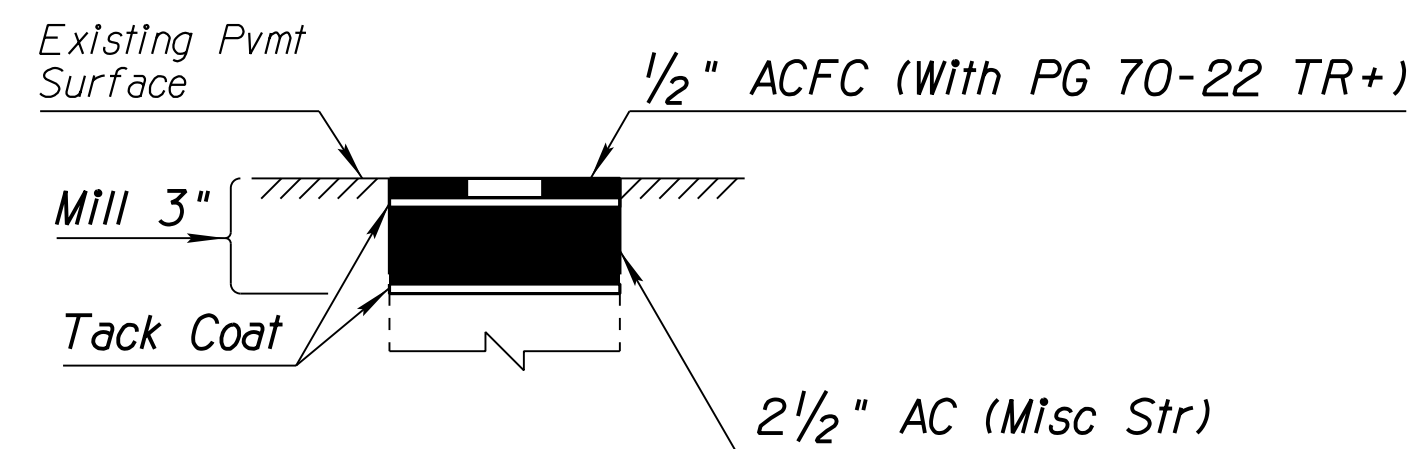
VIEW A
AC SHOULDER BUILD-UP



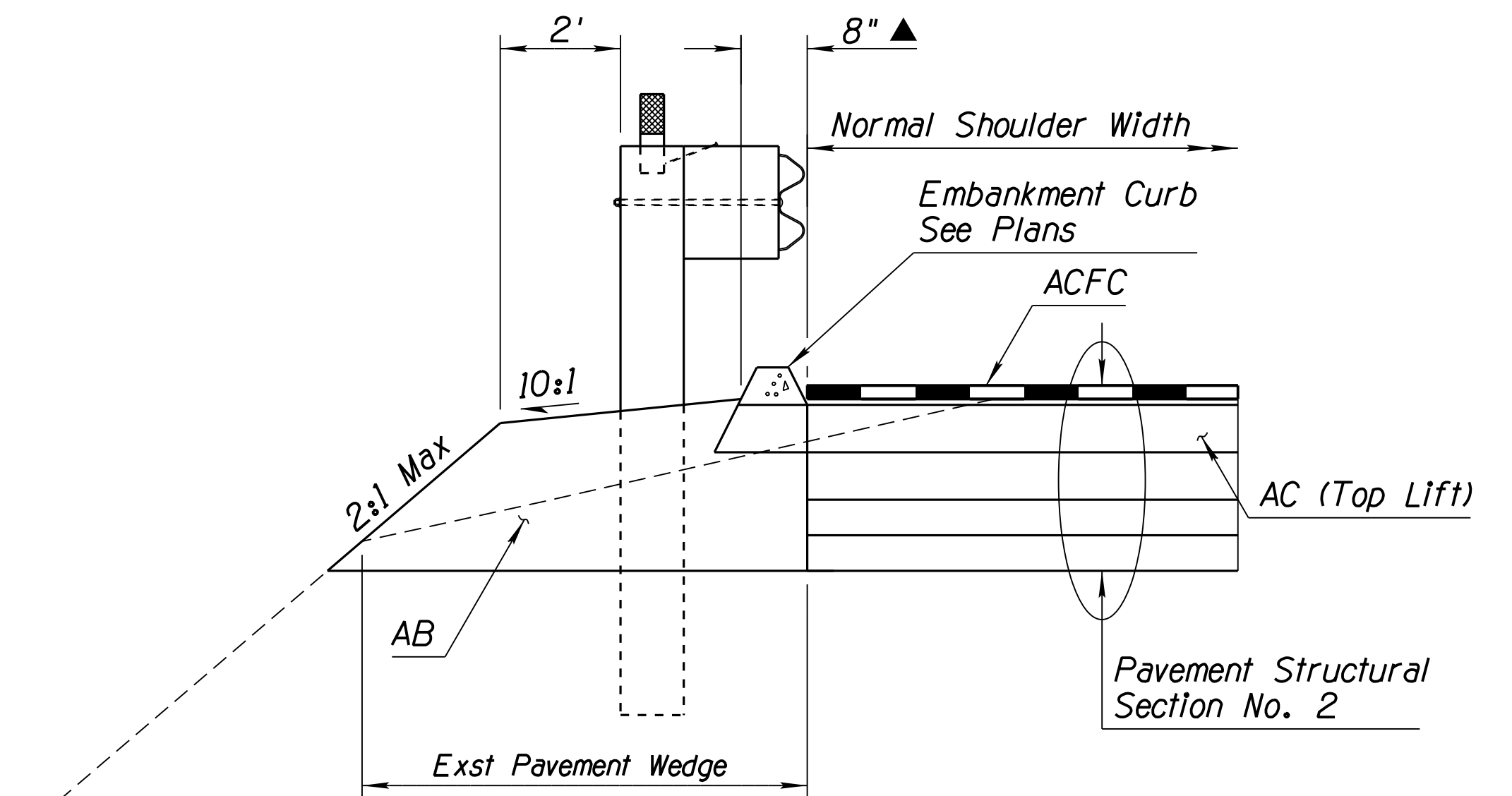
Total Thickness = 8" or Varies
SECTION NO. 4



Total Thickness = 28 1/2"
SECTION NO. 2



Total Thickness = 3"
SECTION NO. 5



VIEW B
GUARDRAIL AT BRIDGE APPROCHES

▲ Extend top lift of adjacent AC 8"

PAVEMENT STRUCTURAL SECTIONS

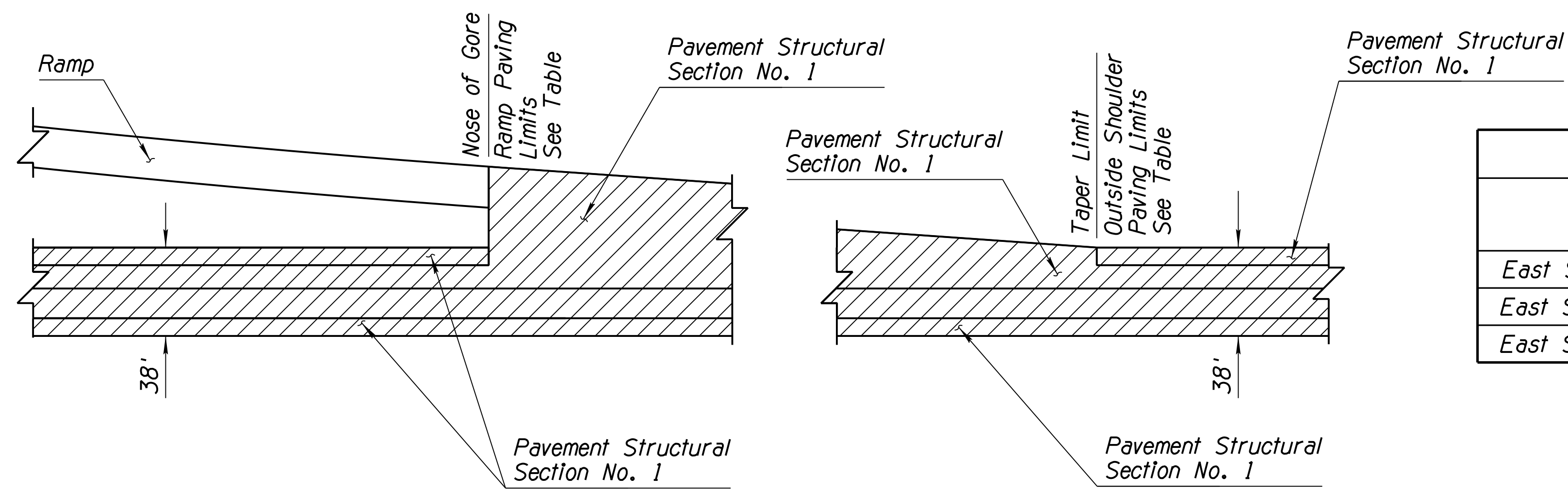
DESIGN	MB, AM	10/21	ARIZONA DEPARTMENT OF TRANSPORTATION INFRASTRUCTURE DELIVERY AND OPERATIONS DIVISION ROADWAY DESIGN SECTION	
DRAWN	MB, AM	10/21		
CHECKED	J KURLIN	10/21		
TEAM LEADER	M BLALOCK			
ROUTE 1-40			LOCATION EAST SELIGMAN TI OP, EB/WB	DESIGN SHEET
TRACS NO. F0161 01C			040-B(229)T	SHEET 3 OF 4

SURVEY NO. FINISHED PLANS DATE REVISIONS LOCATION DATE

F.H.W.A. REGION	STATE	PROJECT NO.	SHEET NO.	TOTAL SHEETS	RECORD DRAWING
9	ARIZ.	040-B(229)T	8	87	

040 YV 122

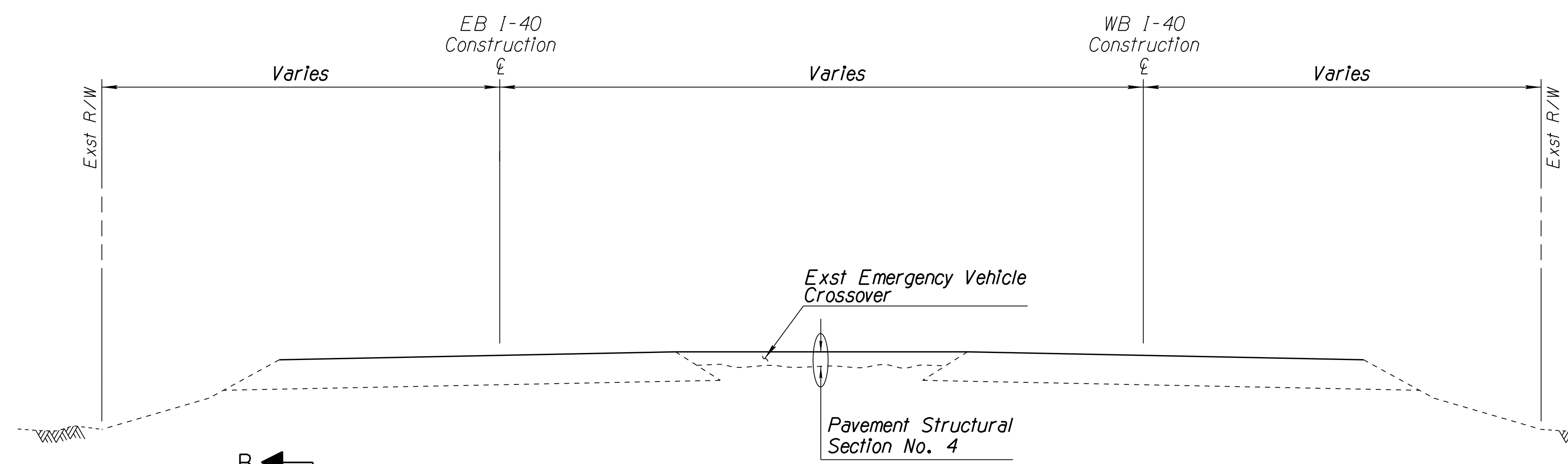
RAMP DETAIL



LOCATION	PAVING STATIONING ON RAMP			
	Nose of Gore		Taper Limits	
	I-40 ξ Sta	Offset	I-40 ξ Sta	Offset
East Seligman TI Ramp 1	WB 6437+55.51	Lt 66.14' WB ξ	WB 6445+52.85	Lt 22.00' WB ξ
East Seligman TI Ramp 2	EB 6439+46.06	Rt 46.91' EB ξ	EB 6455+17.39	Rt 22.00' EB ξ
East Seligman TI Ramp 3	EB 6417+66.16	Rt 53.06' EB ξ	EB 6411+83.34	Rt 22.00' EB ξ

DETAIL A

RAMP PAVING LIMITS

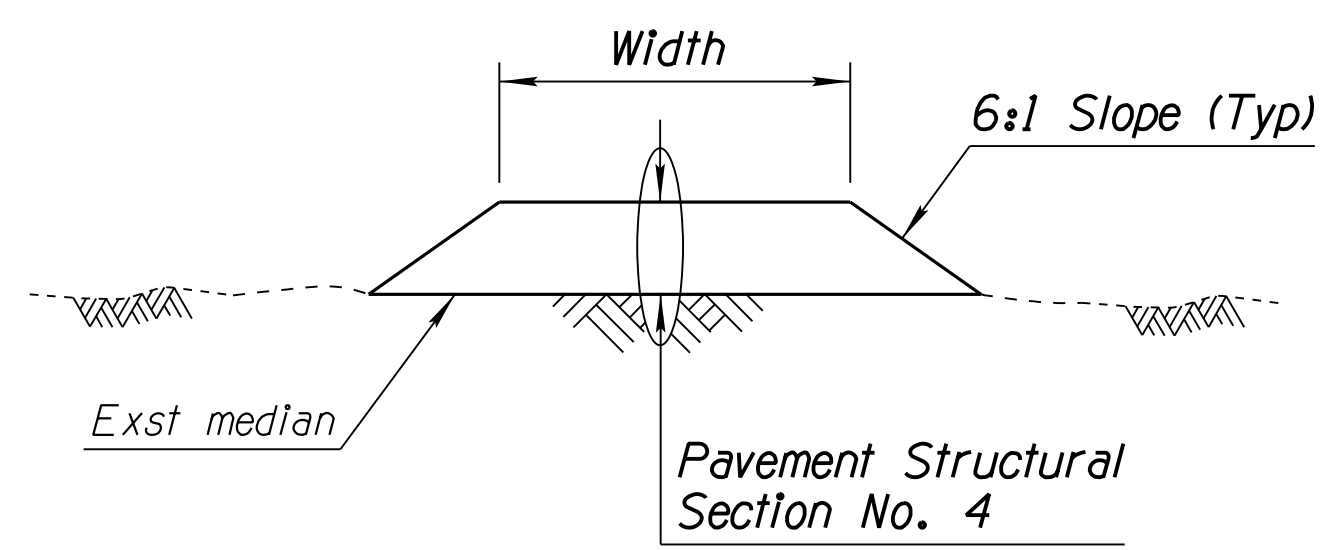
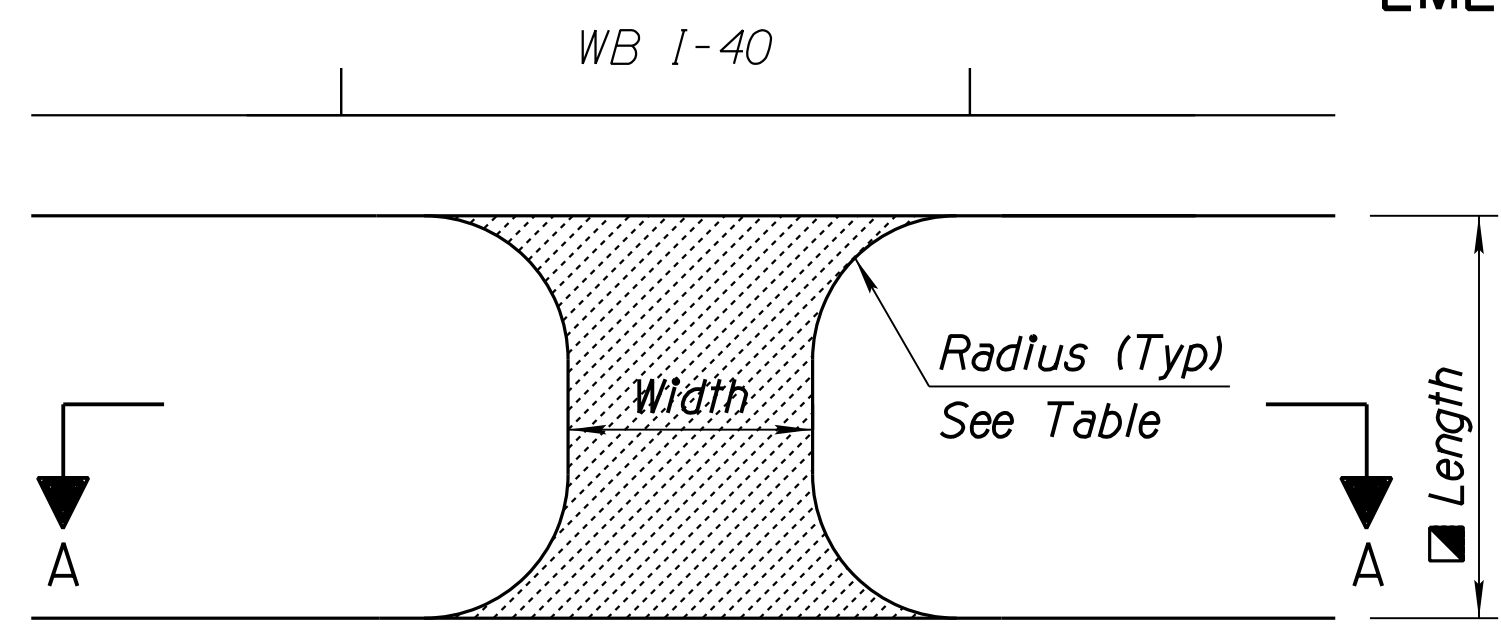


EMERGENCY VEHICLE CROSSOVER TREATMENT TABLE					
Location (Approximate Station)	Length	Width	Radius	Pvmt Str Sct No	Milled AC (Sq Yd)
(C1) EB Sta 6406+84.92	76'	50'	35'	4	540
▲(C2) EB Sta 6455+33.57	76'	50'	35'	4	540
Total					1080

■ Length of Emergency Vehicle Crossovers is from edge of pavement to edge of pavement or as directed by the Engineer.
 Location and Dimensions provided above are approximate. Contractor should verify measurements in the field.

▲ Removal or grading of the existing Emergency Vehicle Crossovers (C2) Sta 6455+33.57 shall be included in the cost of the new Emergency Vehicle Crossover construction.

SECTION B-B (TYPICAL) EMERGENCY VEHICLE CROSSOVER DETAIL



SECTION A-A (TYPICAL) EMERGENCY VEHICLE CROSSOVER DETAIL
 Note: Compacted Milling depth may vary depending on buildup needed to get crossover level. Prior to placement of millings, the existing subgrade shall be compacted as directed by the Engineer.

DETAIL B

EMERGENCY VEHICLE CROSSOVER

TYPICAL EMERGENCY VEHICLE CROSSOVER PLAN

See Emergency Vehicle Crossover Table

DESIGN	MB, AM	10/21	ARIZONA DEPARTMENT OF TRANSPORTATION INFRASTRUCTURE DELIVERY AND OPERATIONS DIVISION ROADWAY DESIGN SECTION	
DRAWN	MB, AM	10/21		
CHECKED	J KURLIN	10/21		
TEAM LEADER	M BLALOCK			
ROUTE 1-40 LOCATION EAST SELIGMAN TI OP, EB/WB			DETAIL SHEET	
TRACS NO. F0161 01C			040-B(229)T	SHEET 1 OF 1

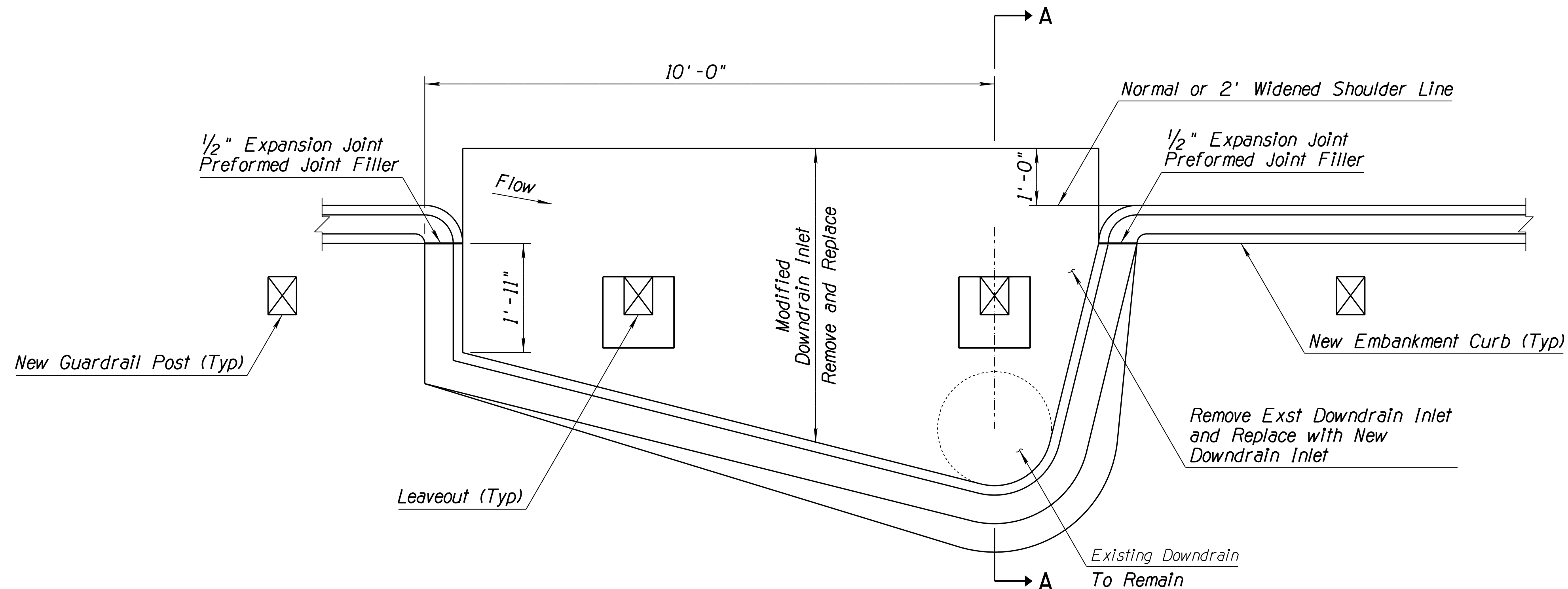
NORMAL.TBL

F.H.W.A. REGION	STATE	PROJECT NO.	SHEET NO.	TOTAL SHEETS	RECORD DRAWING
9	ARIZ.	040-B(229)T	9	87	

040 YV 122

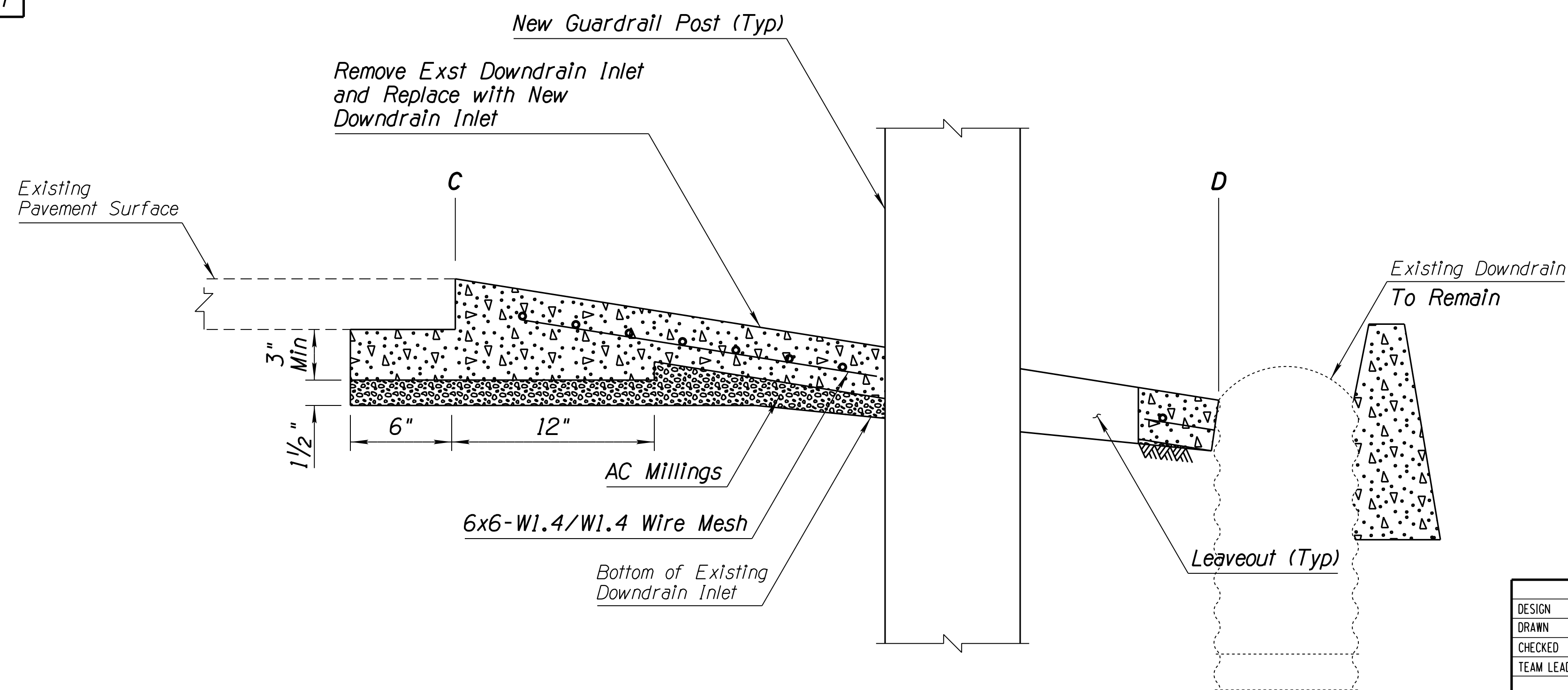
NOTES

1. Concrete for the down drain inlet shall be Class B.
2. Down drain invert slope shall be uniformly downward from C to D.
3. For information not shown, see C-04.20.
4. Per Barrier Summary Sheet Guardrail will omit 2' offset from pavement.
5. Placement of AC Millings shall be included in the cost of the new down drain inlet.



**PLAN VIEW
DOWNDRAIN INLET**

DOWNDRAIN LOCATIONS	
ℰ	Station
I-40 EB	6424 + 18 Rt
I-40 EB	6429 + 07 Rt
I-40 WB	6424 + 08 Lt
I-40 WB	6429 + 02 Lt



SECTION A-A

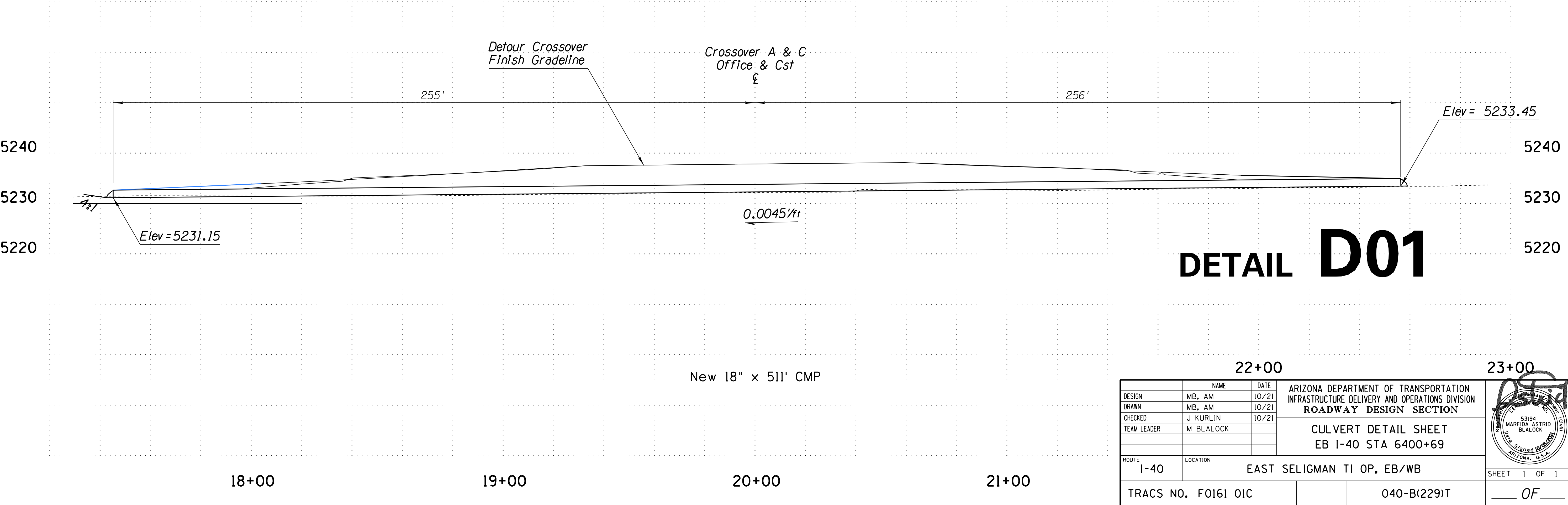
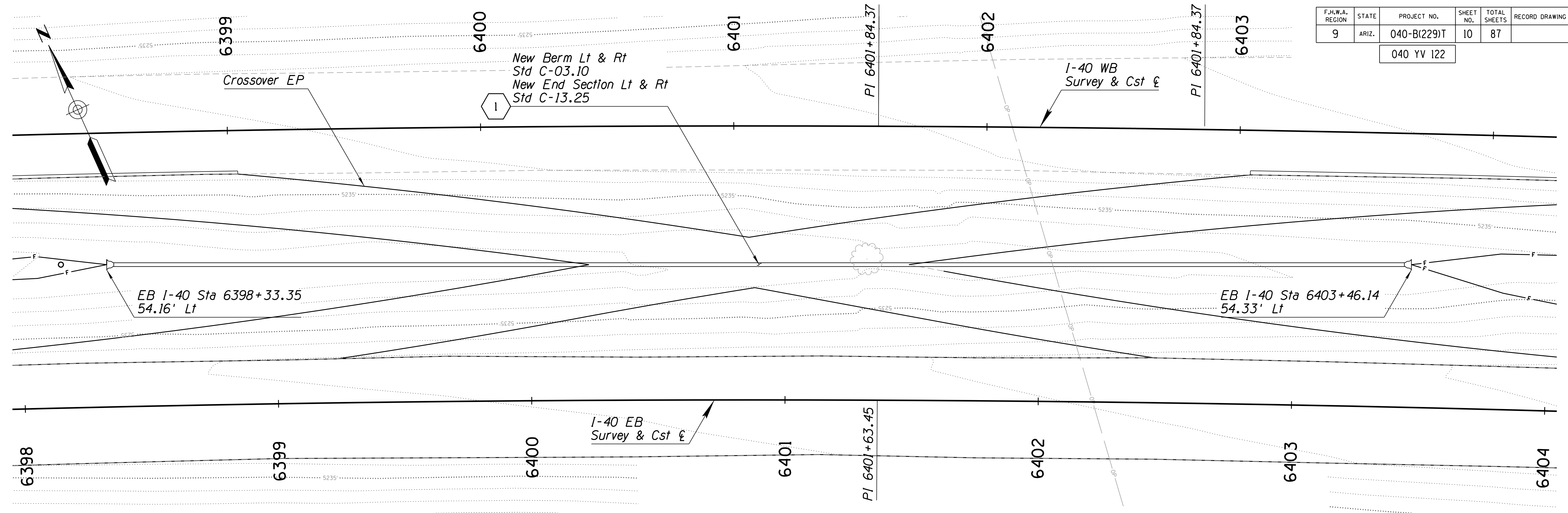
**DETAIL C
NEW DOWNDRAIN INLET**

DESIGN	MB, AM	DATE	10/21	ARIZONA DEPARTMENT OF TRANSPORTATION INFRASTRUCTURE DELIVERY AND OPERATIONS DIVISION ROADWAY DESIGN SECTION
DRAWN	MB, AM	DATE	10/21	
CHECKED	J KURLIN	DATE	10/21	
TEAM LEADER	M BLALOCK			
DETAIL SHEET				
ROUTE	I-40	LOCATION	EAST SELIGMAN TI OP, EB/WB	
TRACS NO.	F0161 OIC		040-B(229)T	
				SHEET 1 OF 1
				OF

DATE: LOCATION: REVISIONS: FINISHED PLANS: SURVEY NO. DATE: LOCATION: REVISIONS: FINISHED PLANS: SURVEY NO.

F.H.W.A. REGION	STATE	PROJECT NO.	SHEET NO.	TOTAL SHEETS	RECORD DRAWING
9	ARIZ.	040-B(229)T	10	87	

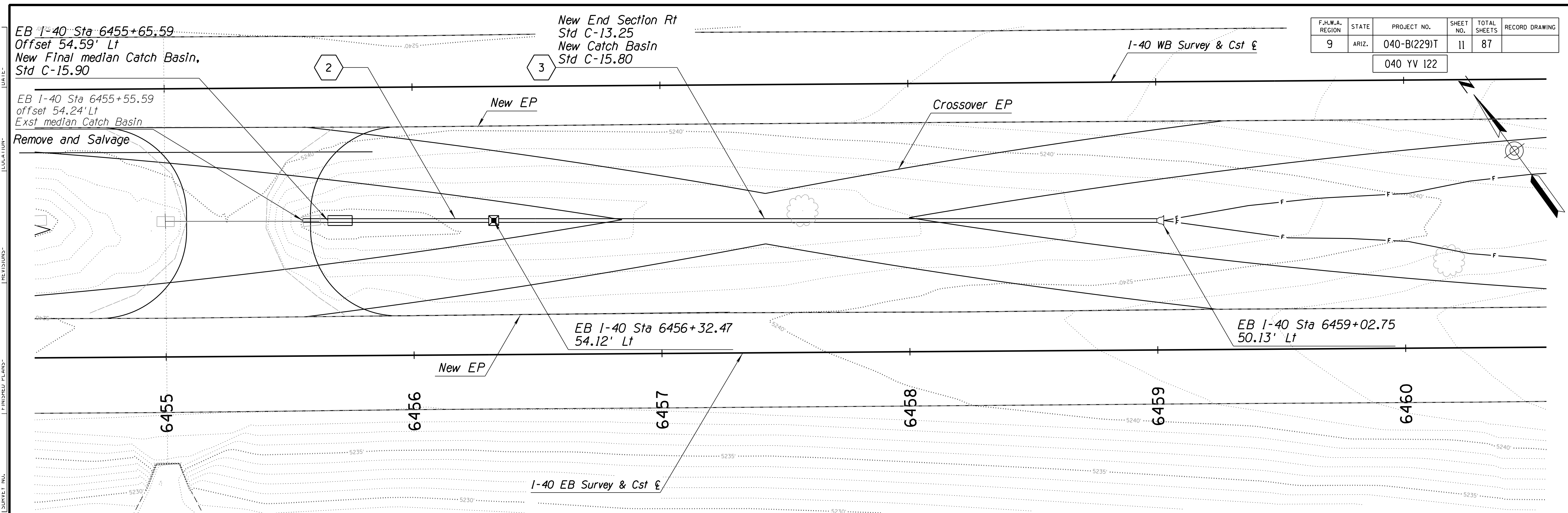
040 YV 122



DETAIL D01

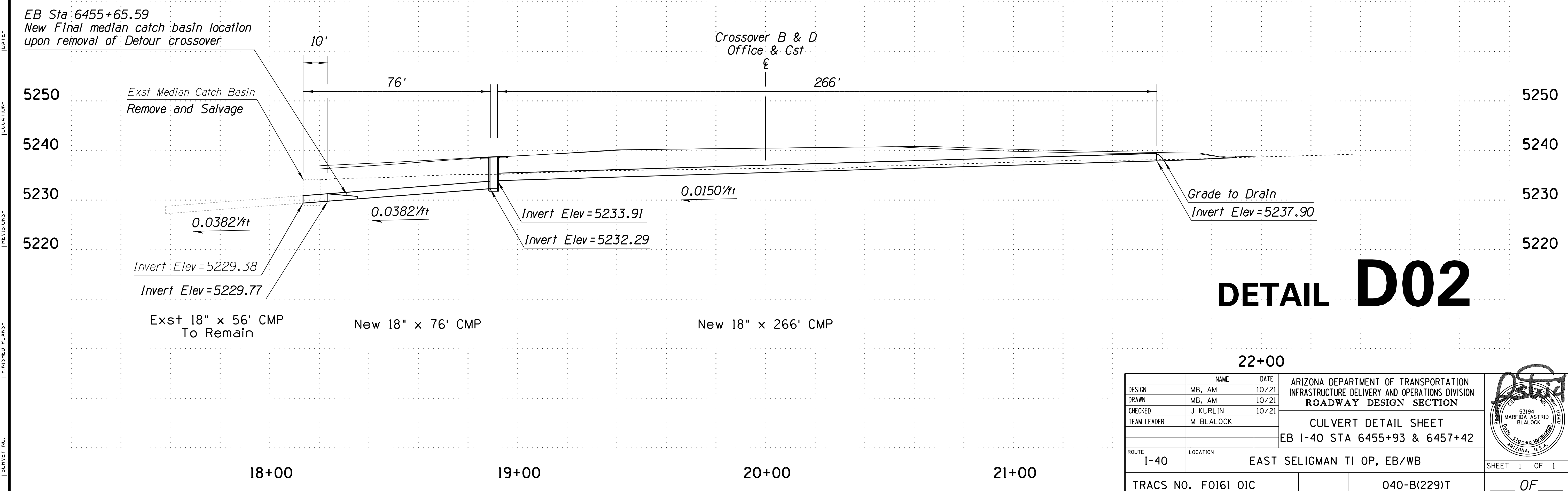
DESIGN	MB, AM	10/21	ARIZONA DEPARTMENT OF TRANSPORTATION INFRASTRUCTURE DELIVERY AND OPERATIONS DIVISION ROADWAY DESIGN SECTION
DRAWN	MB, AM	10/21	
CHECKED	J KURLIN	10/21	
TEAM LEADER	M BLALOCK		
ROUTE 1-40 LOCATION EAST SELIGMAN TI OP, EB/WB			
TRACS NO. F0161 OIC			
040-B(229)T			SHEET 1 OF 1

spec:lh.tbl



F.H.W.A. REGION	STATE	PROJECT NO.	SHEET NO.	TOTAL SHEETS	RECORD DRAWING
9	ARIZ.	040-B(229)T	11	87	

040 YV 122



DETAIL D02

DESIGN	NAME	DATE	ARIZONA DEPARTMENT OF TRANSPORTATION INFRASTRUCTURE DELIVERY AND OPERATIONS DIVISION ROADWAY DESIGN SECTION
DRAWN	MB, AM	10/21	
CHECKED	J. KURLIN	10/21	
TEAM LEADER	M. BLALOCK		

53194
MARFIDA ASTRID BLALOCK
Professional Engineer
ARIZONA, U.S.A.

ROUTE	LOCATION	
I-40	EAST SELIGMAN TI OP, EB/WB	

TRACS NO. F0161 OIC

040-B(229)T

SHEET 1 OF 1

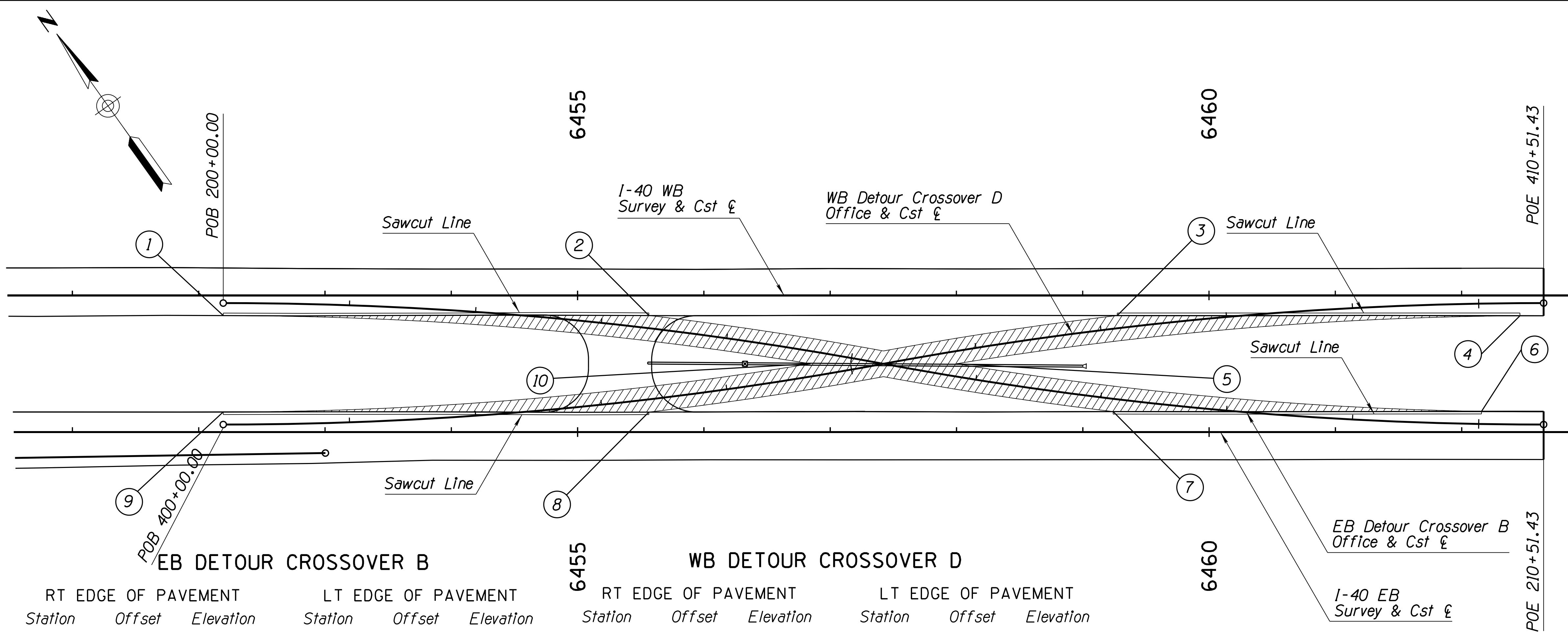
OF

F.H.W.A. REGION	STATE	PROJECT NO.	SHEET NO.	TOTAL SHEETS	RECORD DRAWING
9	ARIZ.	040-B(229)T	13	87	

040 YV 122

EAST CROSSOVER DATA

Station	Offset	Elevation
1 WB 6452+19.46	Rt 16.00'	5243.10
2 WB 6455+56.45	Rt 15.82'	5240.35
3 WB 6459+27.33	Rt 15.90'	5240.78
4 WB 6462+46.21	Rt 16.06'	5248.26
5 WB 6458+00.14	Rt 54.10'	5240.81
6 EB 6462+15.73	Lt 16.42'	5246.86
7 EB 6459+23.97	Lt 16.29'	5240.12
8 EB 6455+56.34	Lt 15.82'	5239.73
9 EB 6452+19.37	Lt 16.00'	5242.31
10 WB 6456+84.32	Rt 54.10'	5240.15



EB DETOUR CROSSOVER B

RT EDGE OF PAVEMENT			LT EDGE OF PAVEMENT		
Station	Offset	Elevation	Station	Offset	Elevation
200+00.00	10.00	5243.10	203+36.59	-10.00	5240.35
200+25.00	10.00	5242.80	203+50.00	-10.00	5240.30
200+50.00	10.00	5242.49	203+75.00	-10.00	5240.22
200+75.00	10.00	5242.21	204+00.00	-10.00	5240.19
201+00.00	10.00	5241.95	204+25.00	-10.00	5240.21
201+25.00	10.00	5241.69	204+50.00	-10.00	5240.28
201+50.00	10.00	5241.42	204+75.00	-10.00	5240.37
201+75.00	10.00	5241.21	206+00.00	-10.00	5240.89
202+00.00	10.00	5241.04	206+25.00	-10.00	5241.05
202+25.00	10.00	5240.89	206+50.00	-10.00	5241.26
202+50.00	10.00	5240.73	206+75.00	-10.00	5241.52
202+75.00	10.00	5240.61	206+85.78	-10.00	5241.65
203+00.00	10.00	5240.53	207+00.00	-10.00	5241.82
203+25.00	10.00	5240.45	207+25.00	-10.00	5242.15
203+50.00	10.00	5240.34	207+50.00	-10.00	5242.50
203+75.00	10.00	5240.21	207+75.00	-10.00	5242.84
204+00.00	10.00	5240.11	208+00.00	-10.00	5243.19
204+25.00	10.00	5240.07	208+25.00	-10.00	5243.57
204+50.00	10.00	5240.08	208+50.00	-10.00	5243.99
204+75.00	10.00	5240.17	208+75.00	-10.00	5244.43
206+00.00	10.00	5240.69	209+00.00	-10.00	5244.86
206+25.00	10.00	5240.84	209+25.00	-10.00	5245.32
206+50.00	10.00	5241.05	209+50.00	-10.00	5245.81
206+75.00	10.00	5241.31	209+75.00	-10.00	5246.32
206+85.78	10.00	5241.43	210+00.00	-10.00	5246.82
207+00.00	10.00	5241.60	210+02.08	-10.00	5246.86
207+10.87	10.00	5240.12			

WB DETOUR CROSSOVER D

RT EDGE OF PAVEMENT			LT EDGE OF PAVEMENT		
Station	Offset	Elevation	Station	Offset	Elevation
403+36.57	10.00	5239.73	400+00.00	-10.00	5242.31
403+50.00	10.00	5239.70	400+25.00	-10.00	5242.03
403+74.20	10.00	5239.68	400+50.00	-10.00	5241.74
403+74.20	10.00	5239.68	400+75.00	-10.00	5241.48
403+75.00	10.00	5239.68	401+00.00	-10.00	5241.22
404+00.00	10.00	5239.69	401+25.00	-10.00	5240.97
404+25.00	10.00	5239.76	401+50.00	-10.00	5240.73
404+40.00	10.00	5239.82	401+75.00	-10.00	5240.52
404+50.00	10.00	5239.87	402+00.00	-10.00	5240.38
404+75.00	10.00	5240.03	402+25.00	-10.00	5240.24
406+00.00	10.00	5240.95	402+50.00	-10.00	5240.12
406+25.00	10.00	5241.22	402+75.00	-10.00	5239.98
406+32.98	10.00	5241.32	403+00.00	-10.00	5239.94
406+50.00	10.00	5241.54	403+25.00	-10.00	5239.92
406+75.00	10.00	5241.92	403+50.00	-10.00	5239.89
406+82.27	10.00	5242.04	403+74.20	-10.00	5239.86
407+00.00	10.00	5242.34	403+74.20	-10.00	5239.86
407+25.00	10.00	5242.80	403+75.00	-10.00	5239.86
407+50.00	10.00	5243.17	404+00.00	-10.00	5239.87
407+75.00	10.00	5243.50	404+25.00	-10.00	5239.92
408+00.00	10.00	5243.84	404+40.00	-10.00	5239.98
408+25.00	10.00	5244.25	404+50.00	-10.00	5240.03
408+50.00	10.00	5244.73	404+75.00	-10.00	5240.19
408+75.00	10.00	5245.23	406+00.00	-10.00	5241.11
409+00.00	10.00	5245.73	406+25.00	-10.00	5241.32
409+25.00	10.00	5246.22	406+32.98	-10.00	5241.39
409+50.00	10.00	5246.70	406+50.00	-10.00	5241.58
409+75.00	10.00	5247.17	406+75.00	-10.00	5241.89
410+00.00	10.00	5247.63	406+82.27	-10.00	5241.99
410+25.00	10.00	5248.11	407+00.00	-10.00	5242.25
410+32.58	10.00	5248.26	407+14.16	-10.00	5240.78

DESIGN	MB, AM	DATE	10/21	ARIZONA DEPARTMENT OF TRANSPORTATION INFRASTRUCTURE DELIVERY AND OPERATIONS DIVISION ROADWAY DESIGN SECTION
DRAWN	MB, AM	DATE	10/21	
CHECKED	J KURLIN	DATE	10/21	
TEAM LEADER	M BLALOCK			
STAKING DIAGRAMS				
ROUTE	I-40	LOCATION	EAST SELIGMAN TI OP, EB/WB	
TRACS NO. FO161 OIC			040-B(229)T	SHEET 2 OF 2

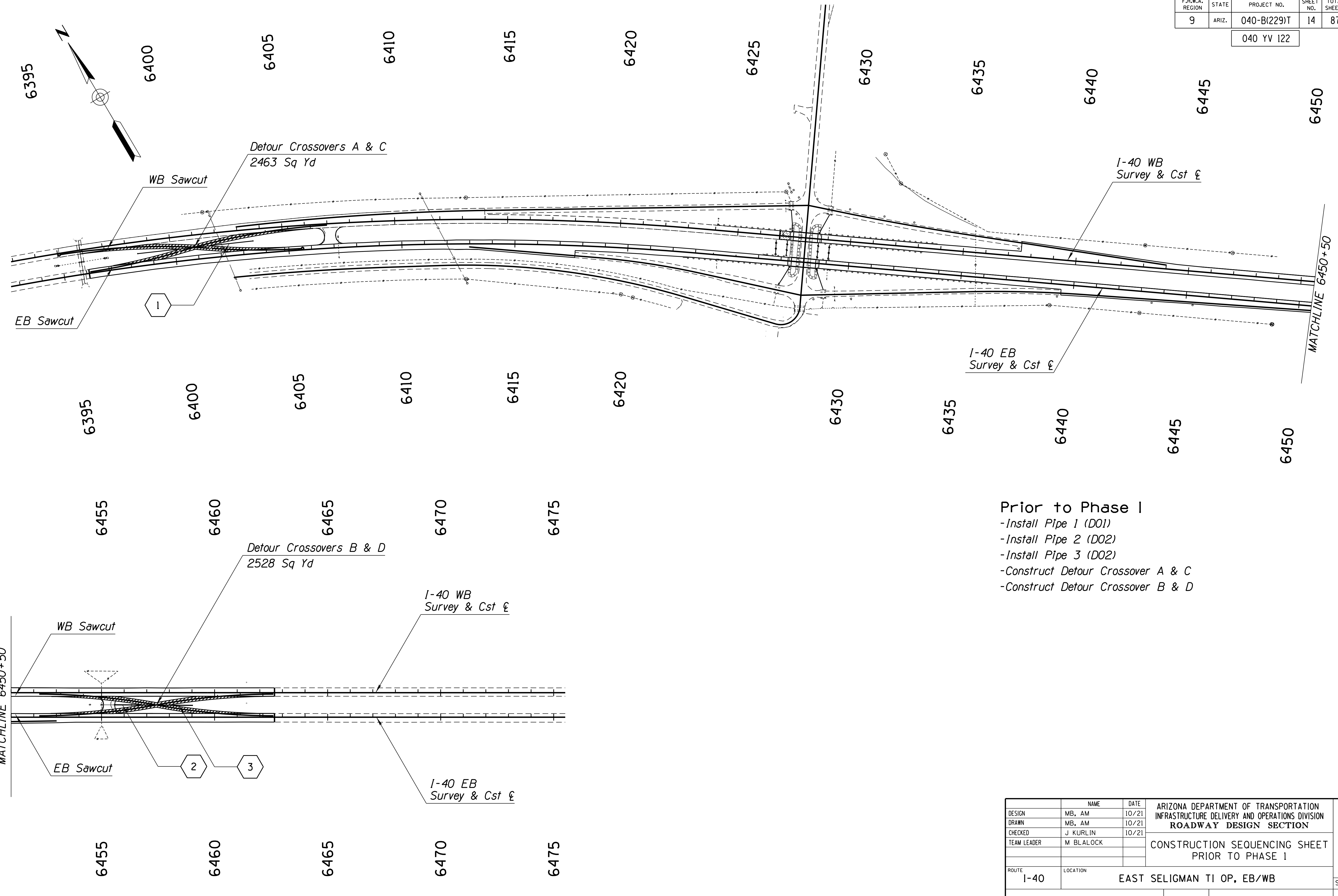
SURVEY NO. FINISHED PLANS DATE REVISIONS LOCATION DATE FINISHED PLANS SURVEY NO.

spec:lh.tbl

F.H.W.A. REGION	STATE	PROJECT NO.	SHEET NO.	TOTAL SHEETS	RECORD DRAWING
9	ARIZ.	040-B(229)T	14	87	

040 YV 122

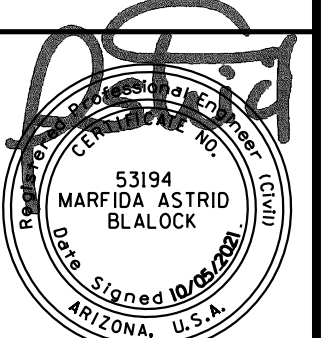
DATE: LOCATION: REVISIONS: FINISHED PLANS: SURVEY NO. DATE: LOCATION: REVISIONS: FINISHED PLANS: SURVEY NO.



Prior to Phase I

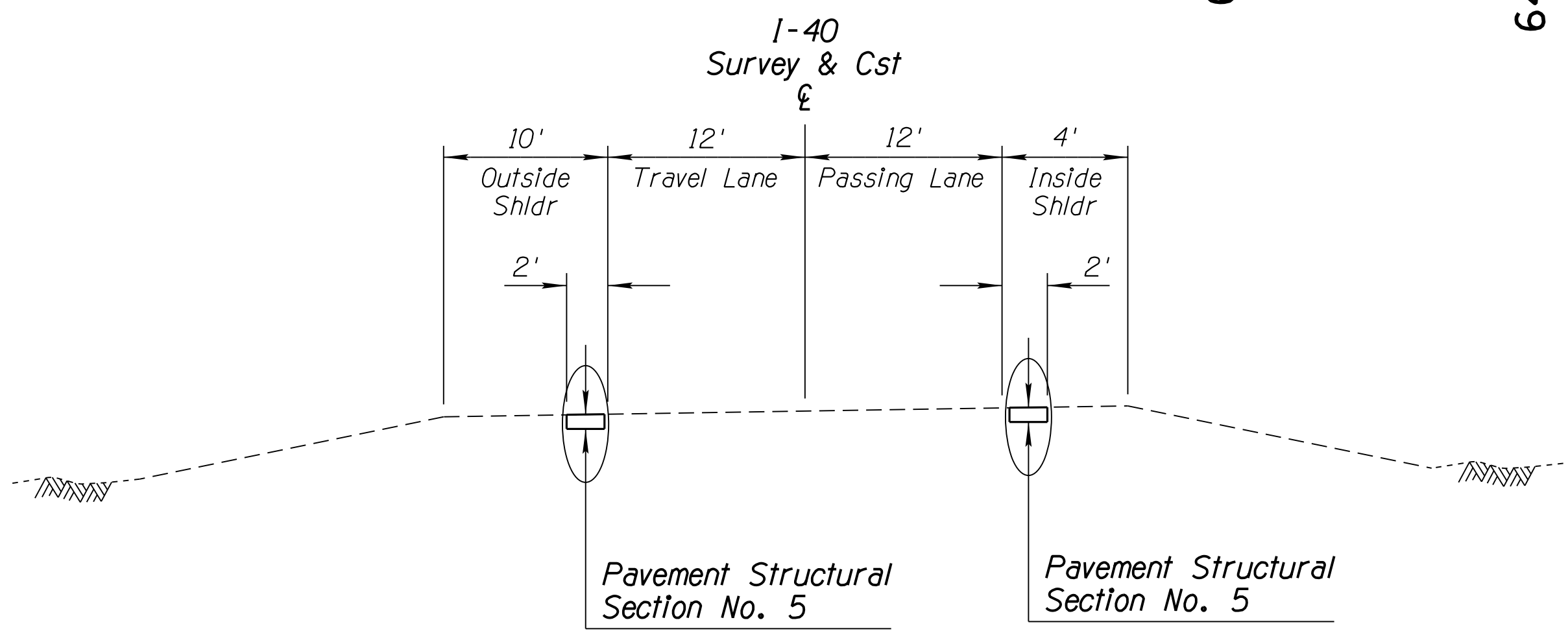
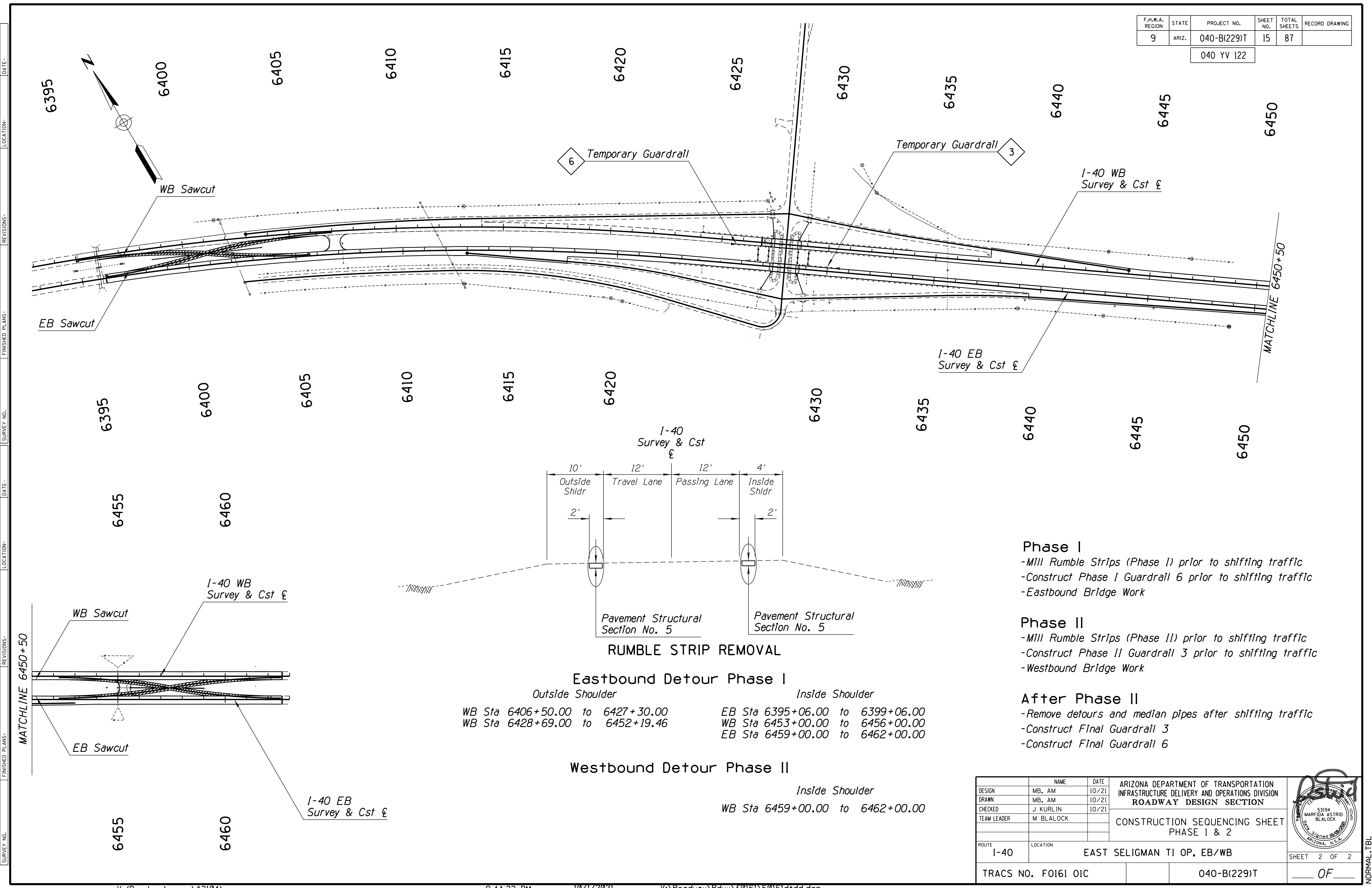
- Install Pipe 1 (D01)
- Install Pipe 2 (D02)
- Install Pipe 3 (D02)
- Construct Detour Crossover A & C
- Construct Detour Crossover B & D

DESIGN	MB, AM	10/21	ARIZONA DEPARTMENT OF TRANSPORTATION INFRASTRUCTURE DELIVERY AND OPERATIONS DIVISION ROADWAY DESIGN SECTION	
DRAWN	MB, AM	10/21		
CHECKED	J KURLIN	10/21		
TEAM LEADER	M BLALOCK			
CONSTRUCTION SEQUENCING SHEET PRIOR TO PHASE I				
ROUTE	1-40	LOCATION		EAST SELIGMAN TI OP, EB/WB
TRACS NO. F0161 OIC		040-B(229)T		SHEET 1 OF 2



F.H.W.A. REGION	STATE	PROJECT NO.	SHEET NO.	TOTAL SHEETS	RECORD DRAWING
9	ARIZ.	040-B(229)T	15	87	

040 YV 122



RUMBLE STRIP REMOVAL

Eastbound Detour Phase I

<i>Outside Shoulder</i>	<i>Inside Shoulder</i>
WB Sta 6406+50.00 to 6427+30.00	EB Sta 6395+06.00 to 6399+06.00
WB Sta 6428+69.00 to 6452+19.46	WB Sta 6453+00.00 to 6456+00.00
	EB Sta 6459+00.00 to 6462+00.00

Westbound Detour Phase II

<i>Inside Shoulder</i>
WB Sta 6459+00.00 to 6462+00.00

Phase I

- Mill Rumble Strips (Phase I) prior to shifting traffic
- Construct Phase I Guardrail 6 prior to shifting traffic
- Eastbound Bridge Work

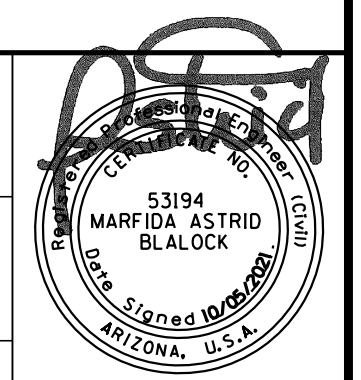
Phase II

- Mill Rumble Strips (Phase II) prior to shifting traffic
- Construct Phase II Guardrail 3 prior to shifting traffic
- Westbound Bridge Work

After Phase II

- Remove detours and median pipes after shifting traffic
- Construct Final Guardrail 3
- Construct Final Guardrail 6

DESIGN	MB, AM	10/21	ARIZONA DEPARTMENT OF TRANSPORTATION INFRASTRUCTURE DELIVERY AND OPERATIONS DIVISION ROADWAY DESIGN SECTION
DRAWN	MB, AM	10/21	
CHECKED	J KURLIN	10/21	
TEAM LEADER	M BLALOCK		CONSTRUCTION SEQUENCING SHEET PHASE 1 & 2
ROUTE	1-40		EAST SELIGMAN TI OP, EB/WB
LOCATION			
TRACS NO.	F0161 OIC	040-B(229)T	SHEET 2 OF 2



SURVEY NO. FINISHED PLANS DATE LOCATION REVISIONS DATE FINISHED PLANS SURVEY NO. DATE LOCATION REVISIONS DATE

NORMAL.TBL

F.H.W.A. REGION	STATE	PROJECT NO.	SHEET NO.	TOTAL SHEETS	RECORD DRAWING
9	ARIZ.	040-B(229)T	16	87	

040 YV 122

GENERAL NOTES

The following parameters were set for the basis of this survey:

System: United States State Plane 1983
 Zone: Arizona Central 0202
 Datum: North American 1983 (CONUS) modified 1992
 Units = International Feet
 (1 Feet = 0.3048 Meters exactly)

Direct satellite measurements were made on each point in the geocentric coordinate system of WGS 84 and automatic translations were made to the North American Datum of 1983 and to the ground scaled version of the State Plane grid system.

A ground adjustment factor of 1.00028 was provided by ADOT and used by ADOT Field Survey for project LS 1326 and utilized for this project.

Basis of Bearings:

ADOT Engineering Survey Crew surveyed and provided the coordinates for this project. The coordinates were based on NAD83/92 Horizontal and NAVD88 Vertical Datum with a GAF of 1.00028. NGS Control Points used for this project include: Q488, D257, A394, F394 and P23A.

Basis of Alignment and Stations:

Best Fit Alignment was based on split of existing edge of pavement survey points and Right of Way markers located in the field. The alignment was tied to Right of Way marker Station: ADOT PC STA 6879+53.97.

Record Drawings and existing Right of Way plans for F-0089-2-802 were used to construct the alignment file.

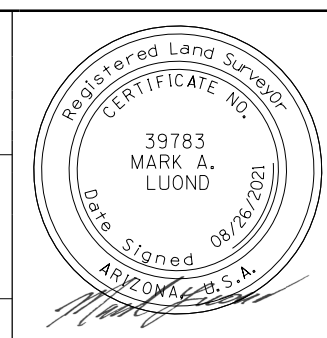
Basis of Elevations:

NGS Monument stamped Q488, with elevation 5289.04 feet, was held as the basis of elevation for the project.

All bearings are grid bearings. Distances are ground distances and coordinates are ground coordinates.

PRIMARY STATIC CONTROL POINTS (ADJUSTED)				
Point	Ground (N)	Ground (E)	Elevation	Description
Q 488	1579254.376	398495.916	5289.04	NGS BRASS CAP, FR0753
D 257	1521757.876	401325.120	5069.92	NGS BRASS CAP, FR0262
A 394	1571536.200	428344.326	5353.30	NGS BRASS CAP, FR0219
F 394	1558730.010	464449.799	5810.15	NGS BRASS CAP, FR0227
P 23A	1578788.243	410971.047	5236.90	NGS BRASS CAP, DF6366

SECONDARY CONTROL POINTS				
Point	Ground (N)	Ground (E)	Elevation	Description
5112	1571519.054	421138.124	5257.74	3" AHD BC FL, 31+69.89
5164	1570777.726	420609.945	5269.69	3" AHD BC, ELEV. 5266.90
5532	1570969.127	418766.323	5243.89	3" AHD BC 6413+00
5963	1570252.034	419139.455	5243.85	3" AHD BC, 6420+00
6050	1572230.361	415633.022	5237.49	3" AHD BC, 6879+53.79
15170	1571615.779	417169.485	5236.00	3" AHD BC, ELEV 5233.23
20257	1572146.037	421433.602	5262.89	3" AHD BC, ELEV 5260.11
22423	1570190.201	420462.857	5266.77	3" AHD BC
22666	1569033.696	421562.136	5267.66	3" AHD BC
23724	1568361.418	422080.882	5236.97	3" ADOT BC, ELEV 5234.08

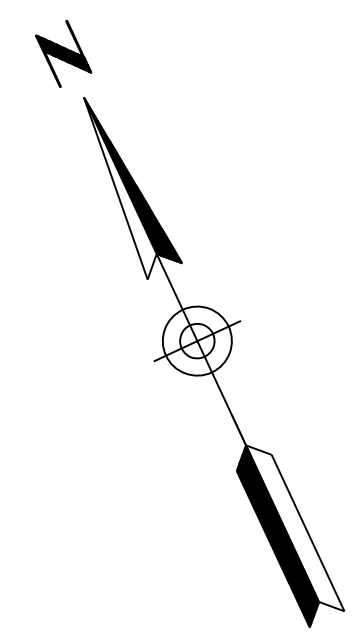
DESIGN	D. ROHLA	08/21	ARIZONA DEPARTMENT OF TRANSPORTATION INFRASTRUCTURE DELIVERY AND OPERATIONS DIVISION ROADWAY DESIGN SECTION		
DRAWN	M. SMITH	08/21			
CHECKED	M. LUOND	08/21			
TEAM LEADER	V. COXON				
ROUTE	1-40	LOCATION	EAST SELIGMAN TI OP, EB/WB	SHEET	OF
TRACS NO. F0161 01C			040-B(229)T	OF	

SURVEY NO. FINISHED PLANS REVISIONS DATE LOCATION FINISHED PLANS REVISIONS DATE SURVEY NO.

NORMAL.TBL

F.H.W.A. REGION	STATE	PROJECT NO.	SHEET NO.	TOTAL SHEETS	RECORD DRAWING
9	ARIZ.	040-B(229)T	17	87	

040 YV 122



(WB) CURVE DATA
 PI Sta 6401+84.37
 Main Curve
 $\Delta = 21^\circ 55' 40''$ Rt
 $D = 29' 51.56''$
 $R = 11513.15'$
 $L = 4406.22'$
 $T = 2230.40'$
 $Ext = 214.05'$

(EB) CURVE DATA
 PI Sta 6401+63.45
 Main Curve
 $\Delta = 21^\circ 55' 40''$ Rt
 $D = 30' 08.52''$
 $R = 11513.15'$
 $L = 4364.90'$
 $T = 2209.48'$
 $Ext = 212.05'$

WB STA 6395+06.86
BEGIN PROJECT 040-B(229)T
 $N = 1571672.18$
 $E = 417090.95$

EB STA 6396+11.03
BEGIN PROJECT 040-B(229)T
 $N = 1571527.66$
 $E = 417162.09$

(1) CURVE DATA
 PI Sta 102+04.20
 Main Curve
 $\Delta = 08^\circ 09' 14.75''$ Lt
 $D = 02^\circ 00' 00.00''$
 $R = 2864.79'$
 $L = 407.70'$
 $T = 204.20'$
 $Ext = 7.27'$

(2) CURVE DATA
 PI Sta 107+45.11
 Main Curve
 $\Delta = 13^\circ 26' 02.99''$ Rt
 $D = 02^\circ 00' 00.00''$
 $R = 2864.79'$
 $L = 671.71'$
 $T = 337.40'$
 $Ext = 19.80'$

(5) CURVE DATA
 PI Sta 303+37.41
 Main Curve
 $\Delta = 13^\circ 26' 03.99''$ Rt
 $D = 01^\circ 59' 59.97''$
 $R = 2864.80'$
 $L = 671.72'$
 $T = 337.41'$
 $Ext = 19.80'$

(6) CURVE DATA
 PI Sta 308+75.92
 Main Curve
 $\Delta = 08^\circ 09' 14.92''$ Lt
 $D = 01^\circ 59' 59.97''$
 $R = 2864.80'$
 $L = 407.71'$
 $T = 204.20'$
 $Ext = 7.27'$

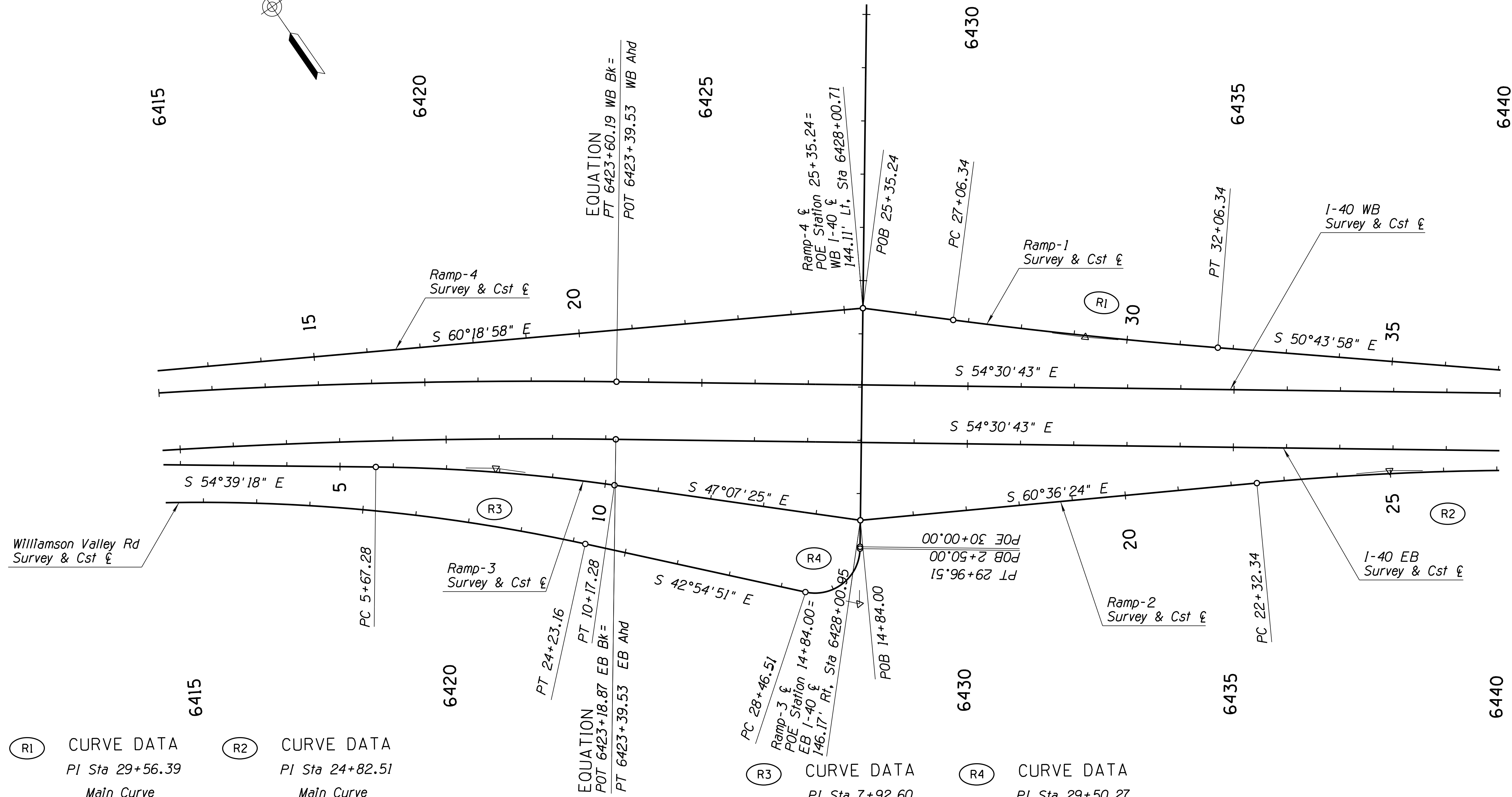
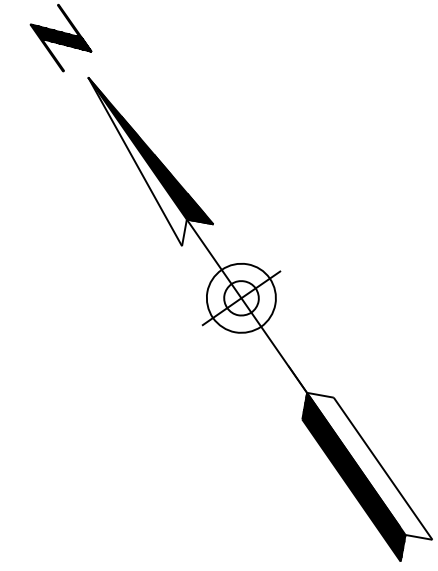
DESIGN	MB, AM	10/21	ARIZONA DEPARTMENT OF TRANSPORTATION INFRASTRUCTURE DELIVERY AND OPERATIONS DIVISION ROADWAY DESIGN SECTION	
DRAWN	MB, AM	10/21		
CHECKED	J KURLIN	10/21		
TEAM LEADER	M BLALOCK			
ROUTE 1-40 LOCATION EAST SELIGMAN TI OP, EB/WB			GEOMETRIC SHEET	
TRACS NO. F0161 OIC			SHEET 1 OF 3	
			040-B(229)T	
			OF	

SURVEY NO. FINISHED PLANS DATE REVISIONS LOCATION DATE REVISIONS SURVEY NO. FINISHED PLANS DATE

NORMAL.TBL

F.H.W.A. REGION	STATE	PROJECT NO.	SHEET NO.	TOTAL SHEETS	RECORD DRAWING
9	ARIZ.	040-B(229)T	18	87	

040 YV 122



(R1) CURVE DATA
 PI Sta 29+56.39
 Main Curve
 $\Delta=02^{\circ}55'19.87''$ Lt
 $D=00^{\circ}35'03.97''$
 $R=9803.58'$
 $L=500.00'$
 $T=250.05'$
 $Super=0.080/ft$

(R2) CURVE DATA
 PI Sta 24+82.51
 Main Curve
 $\Delta=05^{\circ}11'57.64''$ Rt
 $D=01^{\circ}02'23.53''$
 $R=5509.90'$
 $L=500.00'$
 $T=250.17'$
 $Super=0.015/ft$

(R3) CURVE DATA
 PI Sta 7+92.60
 Main Curve
 $\Delta=07^{\circ}31'52.98''$ Rt
 $D=01^{\circ}40'25.11''$
 $R=3423.42'$
 $L=450.00'$
 $T=225.32'$
 $Super=0.015/ft$

(R4) CURVE DATA
 PI Sta 29+50.27
 Main Curve
 $\Delta=101^{\circ}38'48.45''$ Lt
 $D=67^{\circ}45'52.30''$
 $R=84.55'$
 $L=150.00'$
 $T=103.76'$
 $Super=0.015/ft$

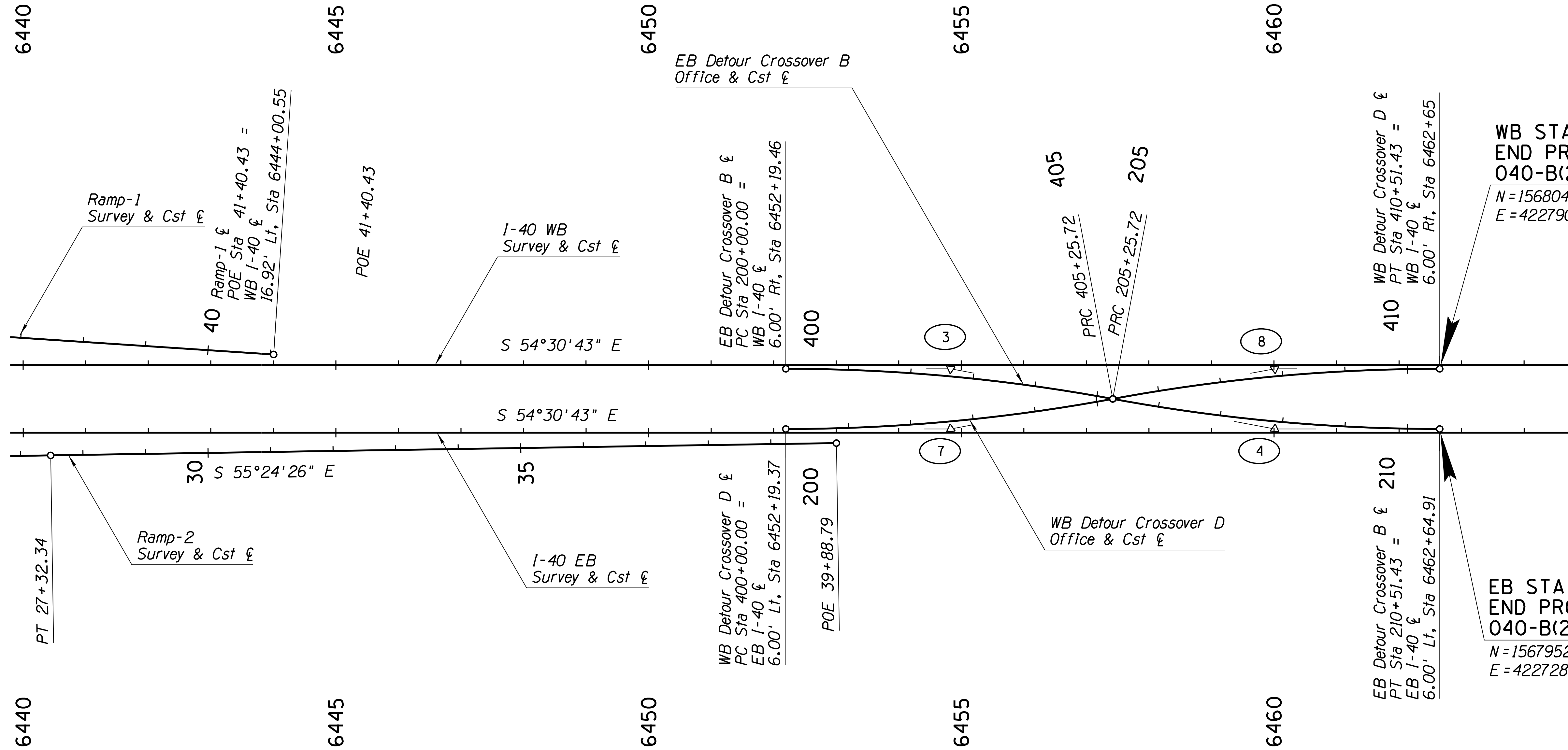
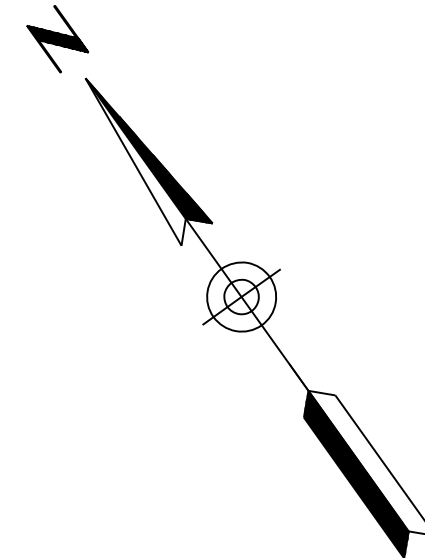
DESIGN	MB, AM	10/21	ARIZONA DEPARTMENT OF TRANSPORTATION INFRASTRUCTURE DELIVERY AND OPERATIONS DIVISION ROADWAY DESIGN SECTION	
DRAWN	MB, AM	10/21		
CHECKED	J KURLIN	10/21		
TEAM LEADER	M BLALOCK			
GEOMETRIC SHEET				
ROUTE	1-40	LOCATION		EAST SELIGMAN TI OP, EB/WB
TRACS NO. F0161 OIC		040-B(229)T		SHEET 2 OF 3

SURVEY NO. FINISHED PLANS DATE LOCATION REVISIONS DATE FINISHED PLANS SURVEY NO. DATE LOCATION REVISIONS DATE

NORMAL.TBL

F.H.W.A. REGION	STATE	PROJECT NO.	SHEET NO.	TOTAL SHEETS	RECORD DRAWING
9	ARIZ.	040-B(229)T	19	87	

040 YV 122

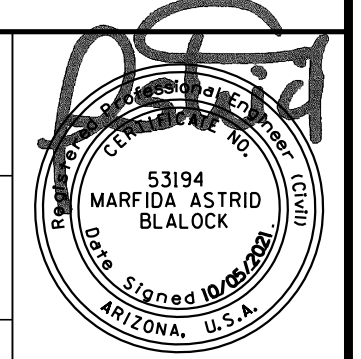


WB STA 6462+65.00
END PROJECT
040-B(229)T
N = 1568040.19
E = 422790.99

EB STA 6462+64.91
END PROJECT
040-B(229)T
N = 1567952.09
E = 422728.18

③	CURVE DATA PI Sta 202+63.60 Main Curve Δ=10°30'51.51" Rt D=01°59'59.97" R=2864.80' L=525.72' T=263.60' Ext=12.10'	④	CURVE DATA PI Sta 207+89.32 Main Curve Δ=10°30'51.51" Lt D=01°59'59.97" R=2864.80' L=525.72' T=263.60' Ext=12.10'	⑦	CURVE DATA PI Sta 402+63.60 Main Curve Δ=10°30'51.51" Lt D=01°59'59.97" R=2864.80' L=525.72' T=263.60' Ext=12.10'	⑧	CURVE DATA PI Sta 407+89.32 Main Curve Δ=10°30'51.51" Rt D=01°59'59.97" R=2864.80' L=525.72' T=263.60' Ext=12.10'
---	--	---	--	---	--	---	--

DESIGN	MB, AM	DATE	10/21	ARIZONA DEPARTMENT OF TRANSPORTATION INFRASTRUCTURE DELIVERY AND OPERATIONS DIVISION ROADWAY DESIGN SECTION
DRAWN	MB, AM	DATE	10/21	
CHECKED	J KURLIN	DATE	10/21	
TEAM LEADER	M BLALOCK			GEOMETRIC SHEET
ROUTE	1-40	LOCATION	EAST SELIGMAN TI OP, EB/WB	
TRACS NO.	F0161 OIC		040-B(229)T	SHEET 3 OF 3

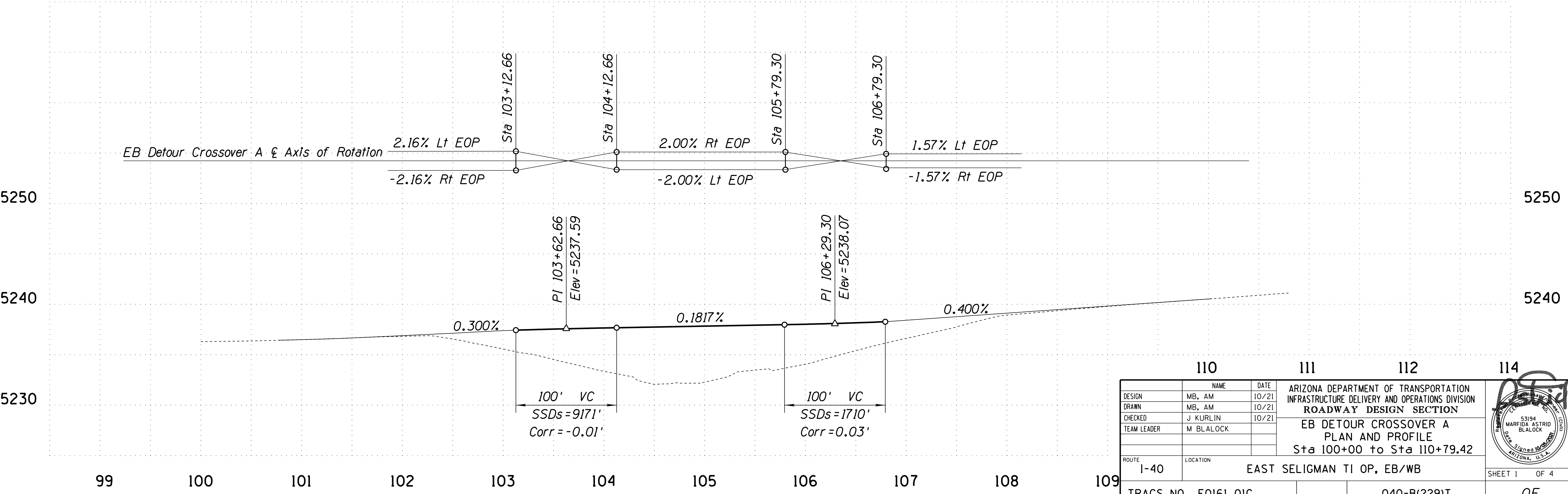
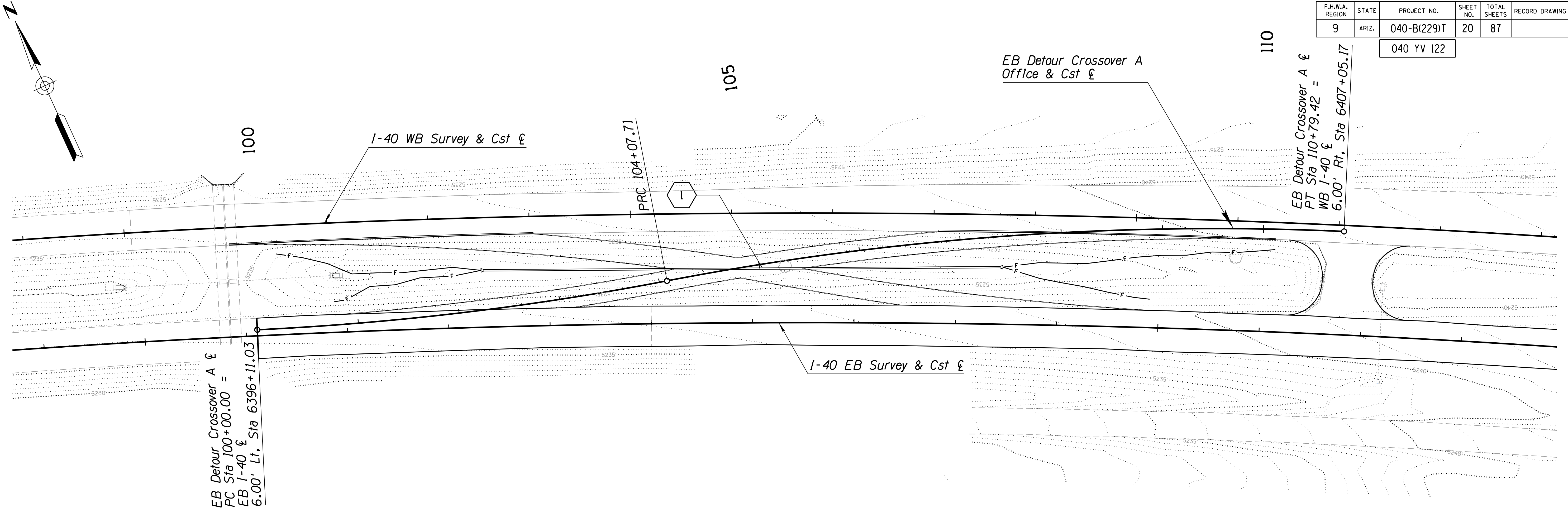


SURVEY NO. FINISHED PLANS. LOCATION. DATE. REVISIONS. LOCATION. DATE. REVISIONS. LOCATION. DATE. REVISIONS.

NORMAL.TBL

F.H.W.A. REGION	STATE	PROJECT NO.	SHEET NO.	TOTAL SHEETS	RECORD DRAWING
9	ARIZ.	040-B(229)T	20	87	

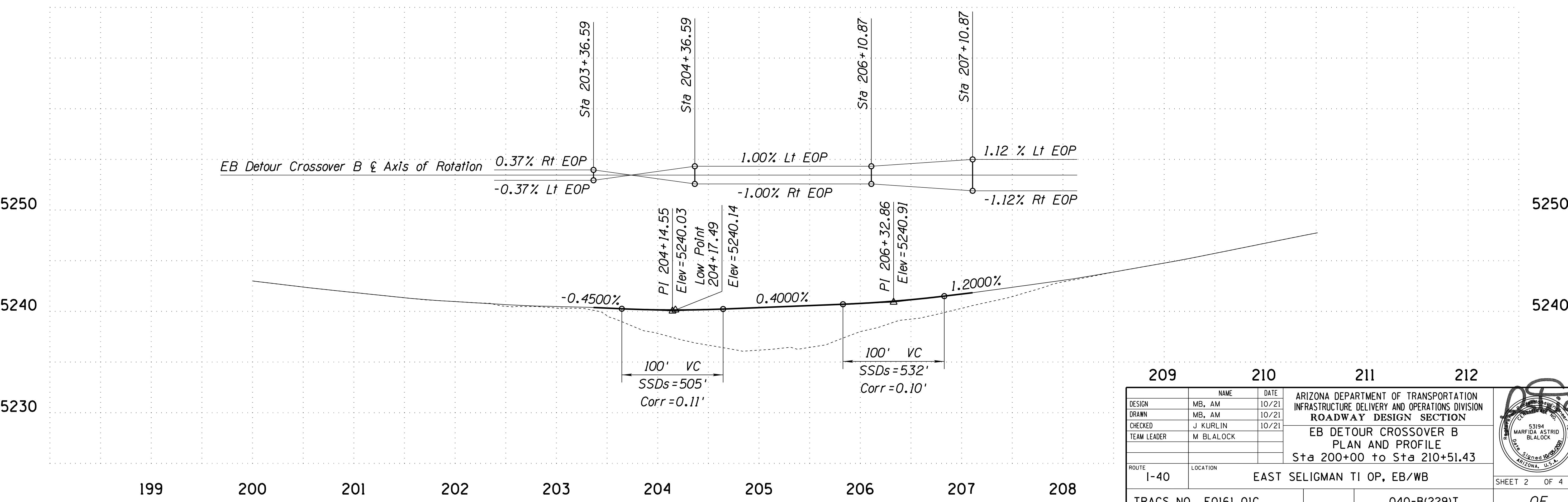
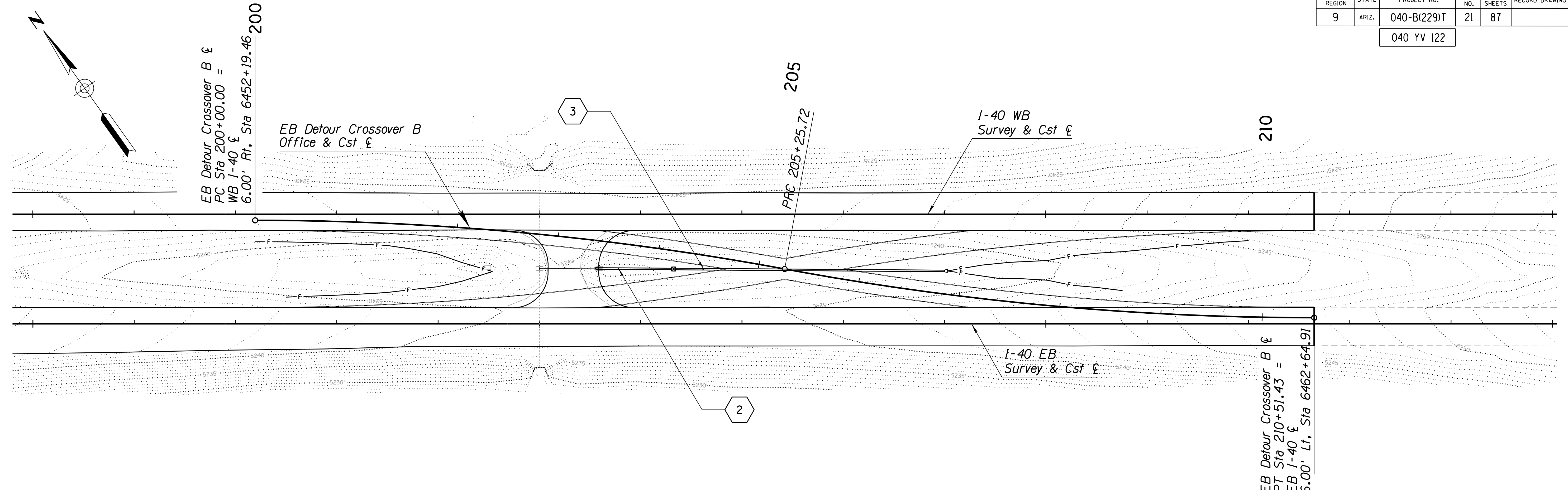
040 YV 122



DESIGN	MB, AM	DATE	10/21	ARIZONA DEPARTMENT OF TRANSPORTATION INFRASTRUCTURE DELIVERY AND OPERATIONS DIVISION ROADWAY DESIGN SECTION EB DETOUR CROSSOVER A PLAN AND PROFILE Sta 100+00 to Sta 110+79.42	
DRAWN	MB, AM	DATE	10/21		
CHECKED	J KURLIN	DATE	10/21		
TEAM LEADER	M BLALOCK				
ROUTE	1-40		LOCATION	EAST SELIGMAN TI OP, EB/WB	
TRACS NO. F0161 01C			040-B(229)T		SHEET 1 OF 4

F.H.W.A. REGION	STATE	PROJECT NO.	SHEET NO.	TOTAL SHEETS	RECORD DRAWING
9	ARIZ.	040-B(229)T	21	87	

040 YV 122



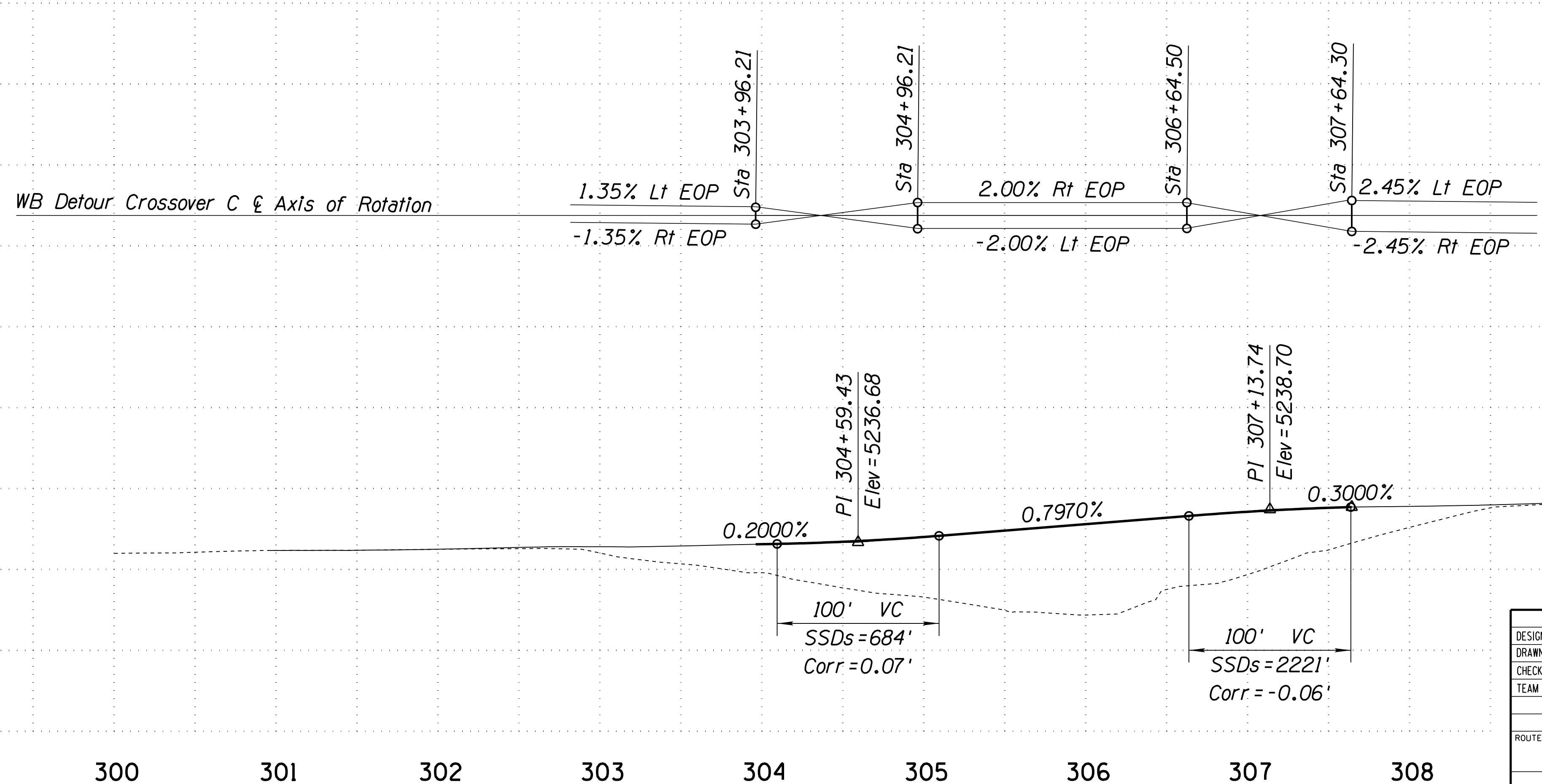
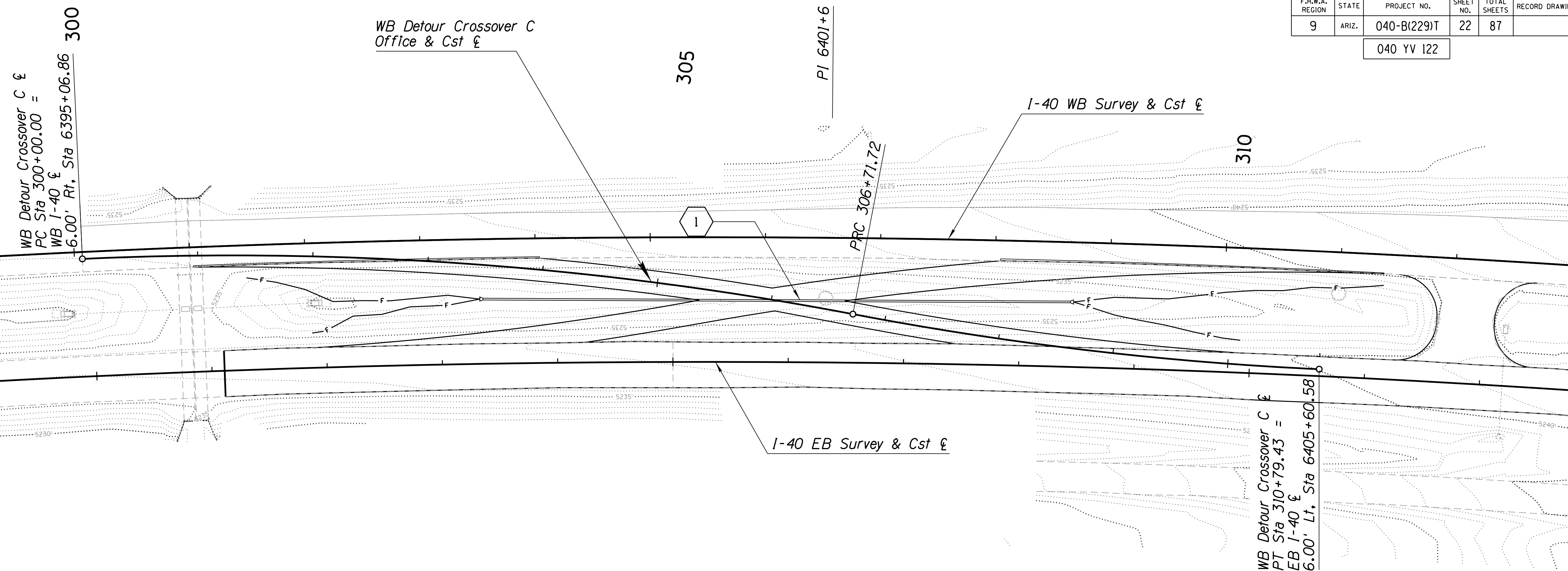
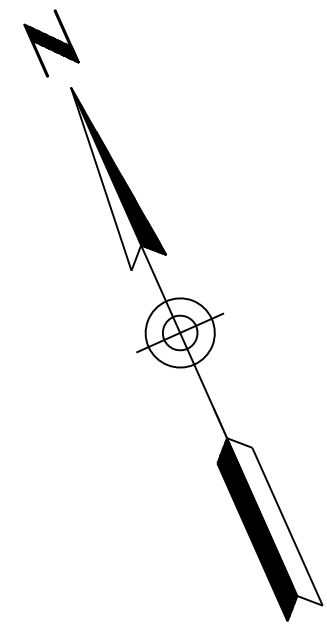
DESIGN	MB, AM	DATE	10/21	ARIZONA DEPARTMENT OF TRANSPORTATION INFRASTRUCTURE DELIVERY AND OPERATIONS DIVISION ROADWAY DESIGN SECTION EB DETOUR CROSSOVER B PLAN AND PROFILE Sta 200+00 to Sta 210+51.43
DRAWN	MB, AM	DATE	10/21	
CHECKED	J KURLIN	DATE	10/21	
TEAM LEADER	M BLALOCK			
ROUTE	I-40			EAST SELIGMAN TI OP, EB/WB SHEET 2 OF 4
LOCATION				
TRACS NO.	F0161 01C		040-B(229)T	OF



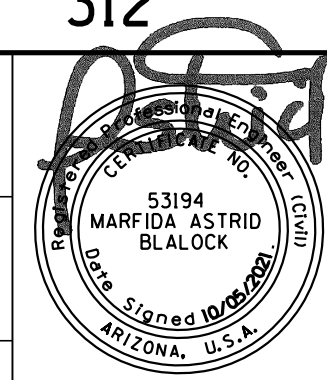
SURVEY NO. FINISHED PLANS REVISIONS LOCATION DATE

F.H.W.A. REGION	STATE	PROJECT NO.	SHEET NO.	TOTAL SHEETS	RECORD DRAWING
9	ARIZ.	040-B(229)T	22	87	

040 YV 122



DESIGN	MB, AM	10/21	ARIZONA DEPARTMENT OF TRANSPORTATION INFRASTRUCTURE DELIVERY AND OPERATIONS DIVISION ROADWAY DESIGN SECTION WB DETOUR CROSSOVER C PLAN AND PROFILE Sta 300+00 to Sta 310+79.43	
DRAWN	MB, AM	10/21		
CHECKED	J KURLIN	10/21		
TEAM LEADER	M BLALOCK			
ROUTE	1-40		LOCATION	EAST SELIGMAN TI OP, EB/WB
TRACS NO. F0161 01C			040-B(229)T	SHEET 3 OF 4

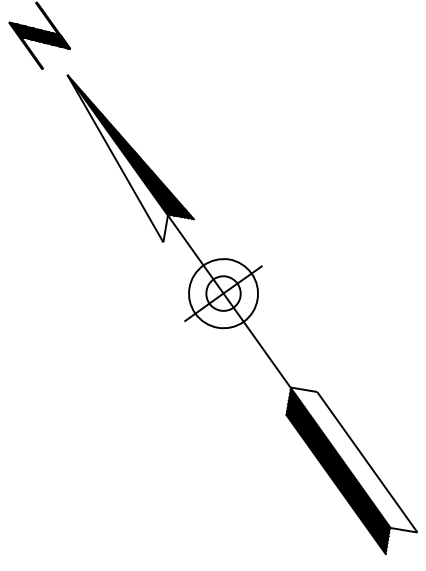


SURVEY NO. FINISHED PLANS REVISIONS LOCATION DATE

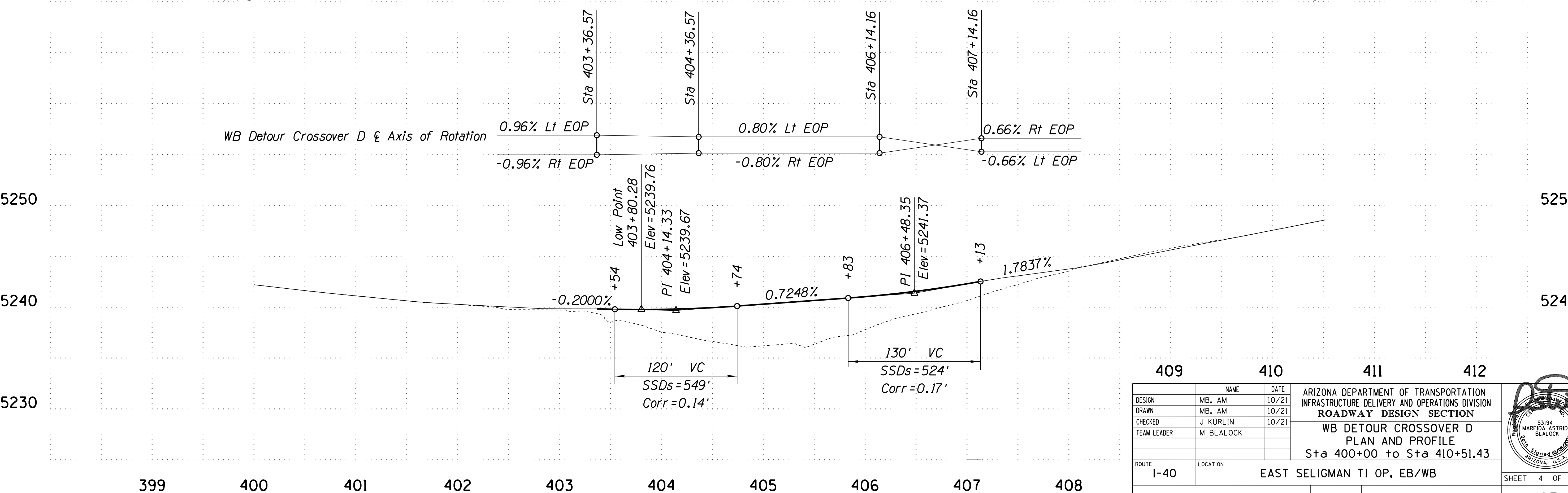
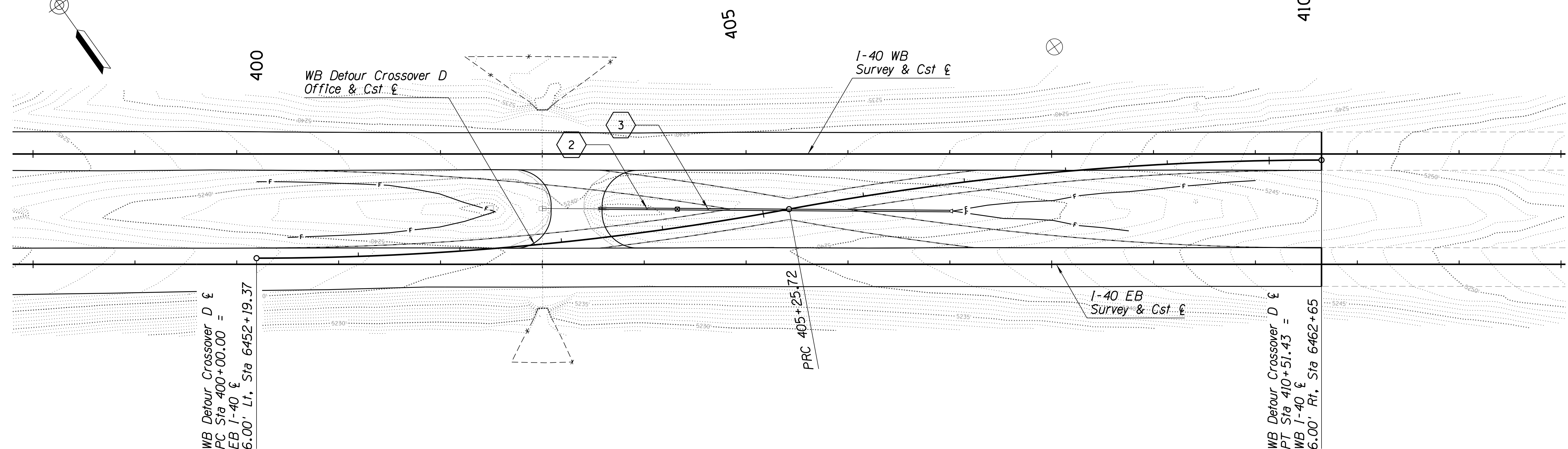
spec:lh.tbl

F.H.W.A. REGION	STATE	PROJECT NO.	SHEET NO.	TOTAL SHEETS	RECORD DRAWING
9	ARIZ.	040-B(229)T	23	87	

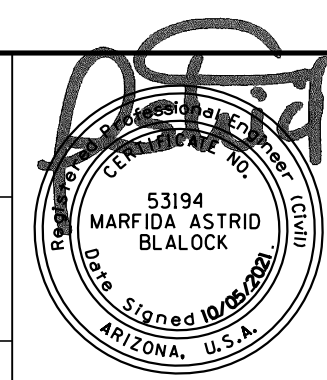
040 YV 122



SURVEY NO. FINISHED PLANS REVISIONS LOCATION DATE

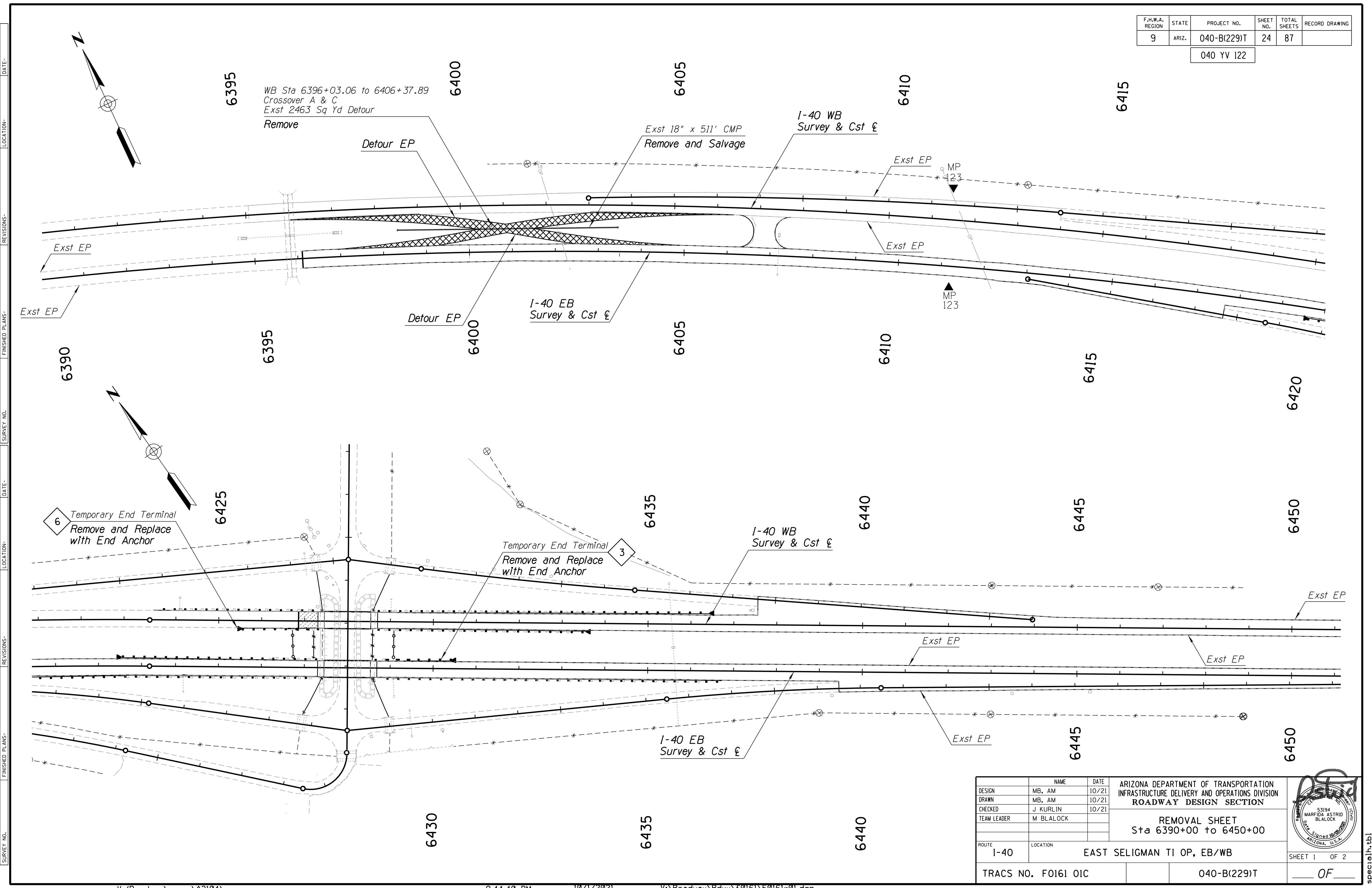


DESIGN	MB, AM	DATE	10/21	ARIZONA DEPARTMENT OF TRANSPORTATION INFRASTRUCTURE DELIVERY AND OPERATIONS DIVISION ROADWAY DESIGN SECTION WB DETOUR CROSSOVER D PLAN AND PROFILE Sta 400+00 to Sta 410+51.43
DRAWN	MB, AM	DATE	10/21	
CHECKED	J KURLIN	DATE	10/21	
TEAM LEADER	M BLALOCK			
ROUTE	I-40			EAST SELIGMAN TI OP, EB/WB SHEET 4 OF 4
LOCATION				
TRACS NO.	F0161 01C		040-B(229)T	OF



F.H.W.A. REGION	STATE	PROJECT NO.	SHEET NO.	TOTAL SHEETS	RECORD DRAWING
9	ARIZ.	040-B(229)T	24	87	

040 YV 122



WB Sta 6396+03.06 to 6406+37.89
Crossover A & C
Exst 2463 Sq Yd Detour
Remove

Exst 18" x 511' CMP
Remove and Salvage

I-40 WB
Survey & Cst E

I-40 EB
Survey & Cst E

6 Temporary End Terminal
Remove and Replace
with End Anchor

3 Temporary End Terminal
Remove and Replace
with End Anchor

DESIGN	NAME	DATE
DRAWN	MB, AM	10/21
CHECKED	J KURLIN	10/21
TEAM LEADER	M BLALOCK	

ARIZONA DEPARTMENT OF TRANSPORTATION
INFRASTRUCTURE DELIVERY AND OPERATIONS DIVISION
ROADWAY DESIGN SECTION

REMOVAL SHEET
Sta 6390+00 to 6450+00

ROUTE
I-40

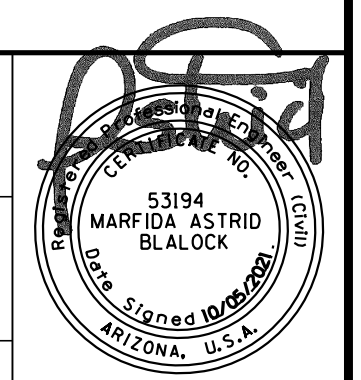
LOCATION
EAST SELIGMAN TI OP, EB/WB

SHEET 1 OF 2

TRACS NO. F0161 01C

040-B(229)T

OF

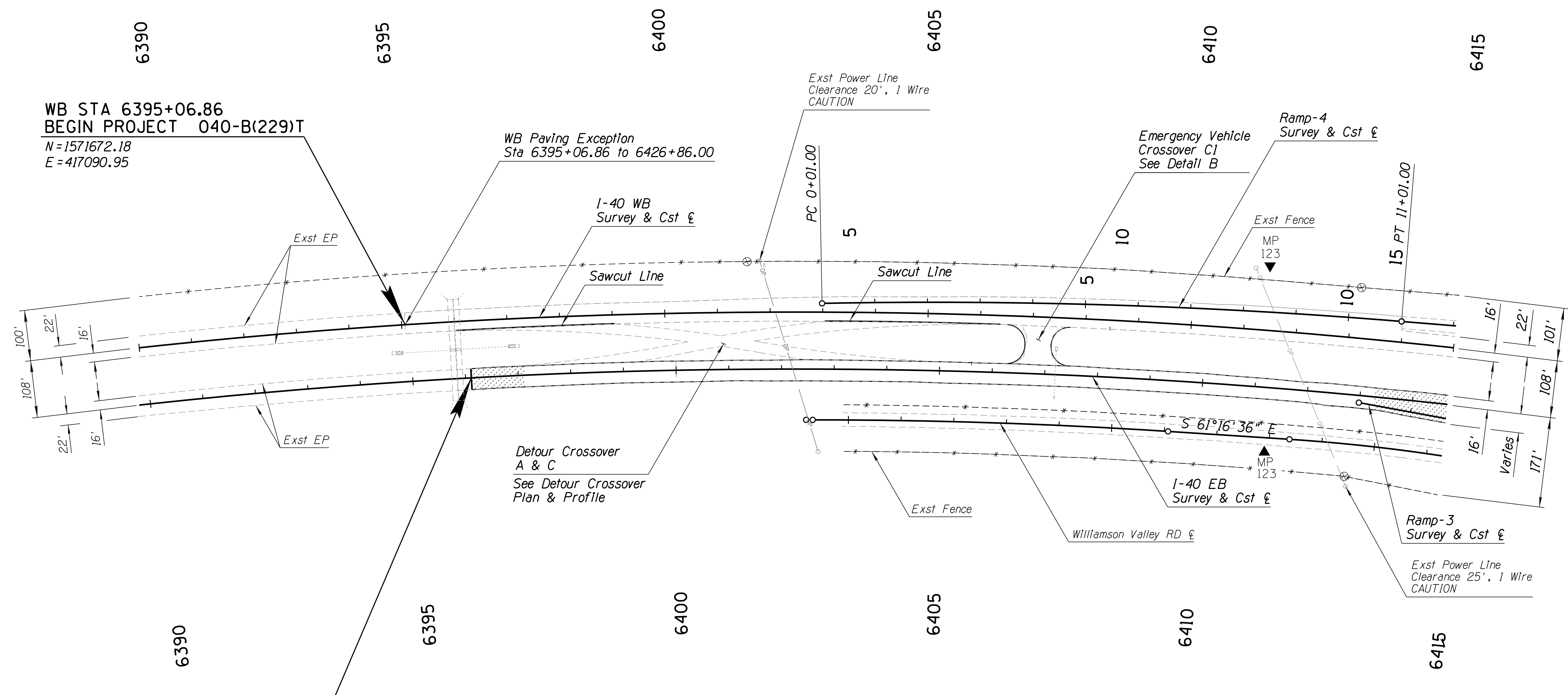
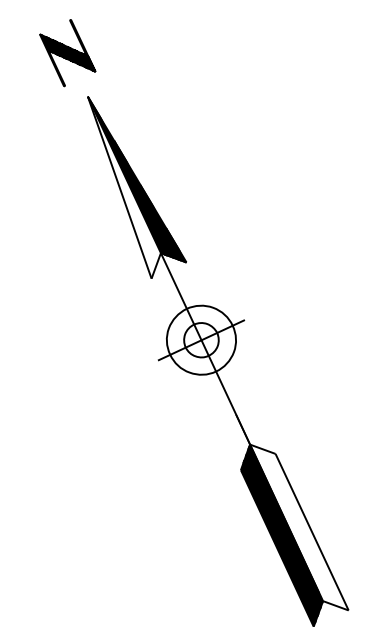


SURVEY NO. FINISHED PLANS DATE LOCATION REVISIONS FINISHED PLANS DATE SURVEY NO. FINISHED PLANS DATE LOCATION REVISIONS FINISHED PLANS DATE SURVEY NO.

spec:tlh.tbl

F.H.W.A. REGION	STATE	PROJECT NO.	SHEET NO.	TOTAL SHEETS	RECORD DRAWING
9	ARIZ.	040-B(229)T	26	87	

040 YV 122



SURVEY NO. FINISHED PLANS DATE REVISIONS LOCATION DATE FINISHED PLANS SURVEY NO. REVISIONS LOCATION DATE

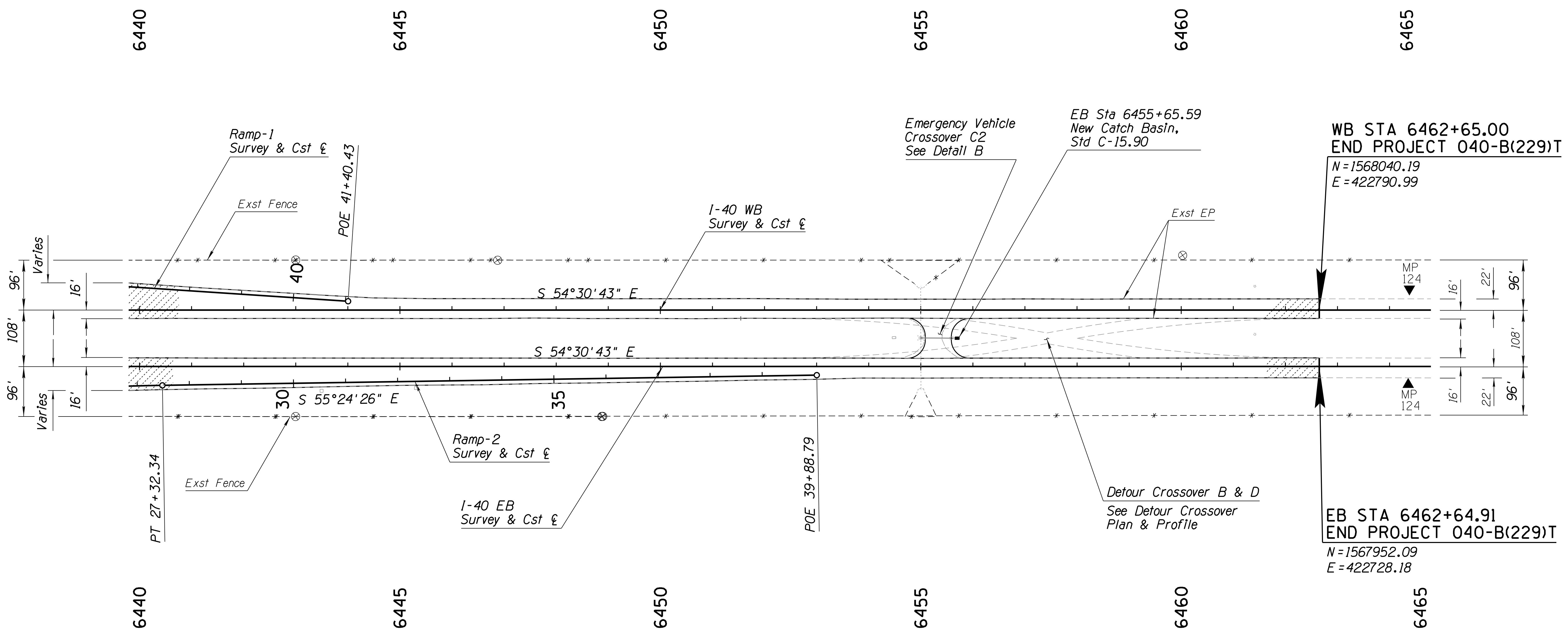
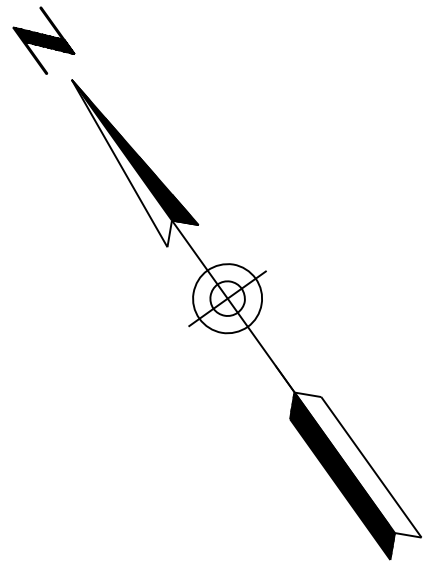
WB STA 6395+06.86
 BEGIN PROJECT 040-B(229)T
 N = 1571672.18
 E = 417090.95

EB STA 6396+11.03
 BEGIN PROJECT 040-B(229)T
 N = 571527.66
 E = 417162.09

DESIGN	MB, AM	10/21	ARIZONA DEPARTMENT OF TRANSPORTATION INFRASTRUCTURE DELIVERY AND OPERATIONS DIVISION ROADWAY DESIGN SECTION PLAN SHEET Sta 6390+00 to 6415+00	
DRAWN	MB, AM	10/21		
CHECKED	J KURLIN	10/21		
TEAM LEADER	M BLALOCK			
ROUTE	1-40		LOCATION	EAST SELIGMAN TI OP, EB/WB
TRACS NO. F0161 01C			040-B(229)T	SHEET 1 OF 3

F.H.W.A. REGION	STATE	PROJECT NO.	SHEET NO.	TOTAL SHEETS	RECORD DRAWING
9	ARIZ.	040-B(229)T	28	87	

040 YV 122



SURVEY NO. FINISHED PLANS DATE REVISIONS LOCATION DATE SURVEY NO. FINISHED PLANS DATE REVISIONS LOCATION DATE SURVEY NO. FINISHED PLANS DATE

DESIGN	MB, AM	10/21	ARIZONA DEPARTMENT OF TRANSPORTATION INFRASTRUCTURE DELIVERY AND OPERATIONS DIVISION ROADWAY DESIGN SECTION PLAN SHEET Sta 6440+00 to 6465+00	
DRAWN	MB, AM	10/21		
CHECKED	J KURLIN	10/21		
TEAM LEADER	M BLALOCK			
ROUTE	I-40		LOCATION	EAST SELIGMAN TI OP, EB/WB
TRACS NO. F0161 OIC			040-B(229)T	SHEET 3 OF 3


spec:lh.tbl

F.H.W.A. REGION	STATE	PROJECT NO.	SHEET NO.	TOTAL SHEETS	RECORD DRAWING
9	ARIZ.	040-B(229)T	29	87	

040 YV 122

TRAFFIC CONTROL NOTES:

1. The traffic control plans represent a suggested method for traffic control during construction. The Contractor may prepare another traffic control plan in accordance with Section 701 of the Specifications. All traffic control plans are subject to the approval of the Engineer before beginning construction.
2. Adjustments to the details of these traffic control plans and requirements may be necessary due to construction activities, as directed by the Engineer.
3. All existing signs in conflict with the construction signs shall be removed, relocated, or covered in place, as directed by the Engineer, at the Contractor's expense. The Contractor shall store and reinstall items which have been removed or relocated in a manner approved by the Engineer. The Contractor shall replace any signing damaged by the Contractor, except signing identified to be removed, at the Contractor's expense.
4. All construction signs shall have black letters on an orange background, except as otherwise indicated.
5. The retroreflective sheeting on all orange signs and delineation for impact attenuators shall meet the criteria established for Type VIII, IX, or XI sheeting in accordance with ASTM D4956, except all black-on-white signs, traffic drums, barricades, and other work zone traffic control devices may have Type IV sheeting. All orange signs shall have fluorescent sheeting.
6. All signs shown on the plans shall be mounted on embedded posts, except as otherwise indicated. For signs installed on embedded posts, sign mounting height is a minimum of 7 feet as measured from the bottom of the sign to the near edge of the pavement. All other short-term signs may be installed on portable stands at least 5 feet above the pavement.
7. The nearest edge or corner of a sign shall be approximately 12 feet from the nearest edge of pavement, 6 feet behind guardrail, or 2 feet behind concrete barrier for all signs mounted on embedded posts.
8. Flags shall be mounted on top of all construction signs. Type A flashing warning lights shall be required on all nighttime construction signs.
9. Unless otherwise permitted by the Engineer, the Contractor shall utilize only traffic drums for channelizing devices on I-40. The Contractor may utilize cones for channelizing devices for shoulder work - no lane closure - on I-40 and for B-40 lane closures during daytime activities, except as otherwise directed by the Engineer.
10. Traffic drums shall be placed 40 feet o.c. in tapers and 80 feet o.c. on tangents, except as otherwise indicated.
11. A Type C steady-burning yellow light shall be mounted on every traffic drum used for channelization during nighttime activities.
12. While the crossovers are in place but not in use by I-40 traffic, the Contractor shall place a sufficient number of Type 3 barricades -- one with a 48 inch x 30 inch "ROAD CLOSED" (R11-2) sign -- to close each crossover to traffic. The Contractor shall position traffic drums at 20 feet o. c. in front of these barricades. A Type A flashing warning light shall be positioned on each end of each Type 3 barricade in use at night.
13. For temporary concrete barrier details, see Std. Dwg. C-3. BM-2 (yellow) barrier markers conforming to Std. Dwgs. M-32 and M-33 shall be installed at 20 feet spacing. The Contractor may install the barrier markers either consistently on the sides or consistently on the tops of the barrier. The installed price for the markers shall be considered a part of the barrier cost.
14. For temporary concrete barrier setups off the roadway, the Contractor shall ensure the earthen material or aggregate base under the temporary impact attenuators, under the temporary concrete barrier, and between the barrier and the roadway is 10:1 or flatter. There shall be no measurement or payment for the placement, maintenance, and removal of earthen material or aggregate base in connection with these setups.
15. The Contractor shall install glare screen on the temporary concrete barrier between the EB and WB travel ways between the stations indicated on the plans or as otherwise directed by the Engineer in accordance with the special provisions.
16. Temporary striping shall be Type II (removable) preformed pavement marking tape where applied to either I-40 roadway and Type I waterborne pavement marking paint (standard) on the crossovers (off the I-40 roadways). The tape shall be 6 in. wide where it will overtop existing striping or as otherwise shown, but 4 in. wide for most locations where it will not overtop existing striping. The pavement temperature shall be at least 60° F when the Contractor applies the tape to the pavement on each I-40 roadway. The Engineer may require the Contractor to place additional applications of Type I waterborne pavement marking paint or to replace the Type II preformed tape periodically.
17. The Contractor shall clean the roadway surface to the satisfaction of the Engineer, by sweeping and air-jet blowing, immediately prior to the placement of all temporary pavement markings. The roadway surface shall be dry.
18. Stripe obliteration is necessary. It shall be accomplished by approved methods. Painting over striping, removal of pavement or bridge deck/slabs, and overlaying pavement do not constitute stripe obliteration.
19. When no longer required, temporary pavement markings shall be removed.
20. The Contractor shall remove the existing pavement markers along the broken white striping on EB and WB I-40 where the traffic control plans call for the obliteration of the broken white striping or overtopping these markings with 6 in. wide Type II preformed tape. The Contractor shall remove these markers as part of the installation of traffic control to divert traffic on either I-40 roadway onto the other I-40 roadway. The Contractor shall also remove the other pavement markers within the limits of the re-striping of EB and WB I-40 per the pavement marking plans. There shall be no measurement or payment for the removal of the existing pavement markers as the cost is included in other contract bid items.
21. The Contractor shall utilize a flashing arrow panel in the sequential chevron mode for each closure of a through lane. The Contractor shall not utilize a flashing arrow panel in connection with any shifting taper.
22. Speed limit signing is preliminary and is subject to review and change by the Engineer as dictated by field conditions.
23. Construction signs shall not be displayed to traffic more than 24 hours prior to the actual start of construction. These signs may be installed sooner but they must be covered or turned away from traffic. The cost for covering or turning them shall be considered part of the sign installation cost. No further compensation will be made. These signs shall be removed within 24 hours after the completion of the construction activities.
24. Signing for double fines in work zones, when approved by the Engineer, shall generally conform to Figure SA-12 of the 2019 ADOT Temporary Traffic Control Guidelines. Such signing shall only be in place during working periods when workers are present in accordance with the guidelines for signing for double fines in work zones.
25. While traffic on either I-40 roadway is detoured to the other I-40 roadway, the Contractor shall continuously maintain both the EB and WB travel lanes on that roadway, as shown on the traffic control plans, except as otherwise permitted by the Engineer.
26. During work periods when EB & WB I-40 traffic is not being detoured to the other I-40 roadway, the Contractor shall maintain a minimum of one lane of traffic on each I-40 roadway. Lane closures shall generally conform to Figures SA-5(L) and SA-5(R) of the 2019 ADOT Temporary Traffic Control Design Guidelines. For some work on the shoulders such as rumble strip work and paving, lane closures shall generally conform to Typical Application 33 of the 2009 Manual On Uniform Traffic Control Devices.
27. Off-duty uniformed police officers and their vehicles shall be included as part of the Contractor's traffic control when the Engineer decides they should be present including during the installation and removal of temporary concrete barrier, temporary striping, and all other traffic control devices.
28. Where no closure is necessary but where there is construction alongside a roadway under construction, the Contractor shall place 48 inch x 48 inch "ROAD WORK AHEAD" and "SHOULDER WORK AHEAD" signing as directed by the Engineer to alert the public to the construction activities.
29. While traffic control items are not in use, the Contractor shall remove these items to a location at least 30 feet from the edge of the paved roadway or behind guardrail or concrete barrier. This includes all supports without sign panels. Any signs which are not in use but which cannot be moved at least 30 feet from the roadway or behind guardrail or concrete barrier shall be covered so the public cannot read the legends.
30. For each phase of the work, the Contractor shall complete all bridge and guardrail work on the I-40 roadway being closed before re-opening the roadway to traffic.
31. For each phase of the bridge work, the Contractor shall not begin any work requiring a complete roadway closure of either (EB or WB) I-40 roadway -- so that temporary concrete barrier, temporary striping, etc., will need to be in place -- before 12:01 AM on April 15. The Contractor shall complete all work so two lanes of traffic will again be available to traffic on each (EB and WB) I-40 roadway -- so that all temporary concrete barrier, etc., will be removed from each I-40 roadway -- before 11:59 PM October 15 of the same year during which the traffic control will first be placed, or be subject to liquidated damages as indicated in the special provisions.
32. The Contractor will install one application of Type II waterborne pavement marking (high build) paint (reimbursed under items 7080401 and 7080402) to re-establish the striping along EB and WB I-40 at the end of the Phase I work where the striping has been obliterated or where it is paint, as directed by the Engineer.
33. Unless otherwise permitted by the Engineer, such as for paving and replacement pavement marking work in the immediate vicinity of each gore, the Contractor shall conduct operations to avoid closing any ramp at the East Seligman TI. Any ramp closure permitted by the Engineer shall not exceed 4 hours per ramp.
34. The Contractor shall abide by the traffic control requirements contained in Subsection 104.04 - Maintenance of Traffic - and the general requirements of the special provisions.
35. All drawings are schematic only and not to scale.

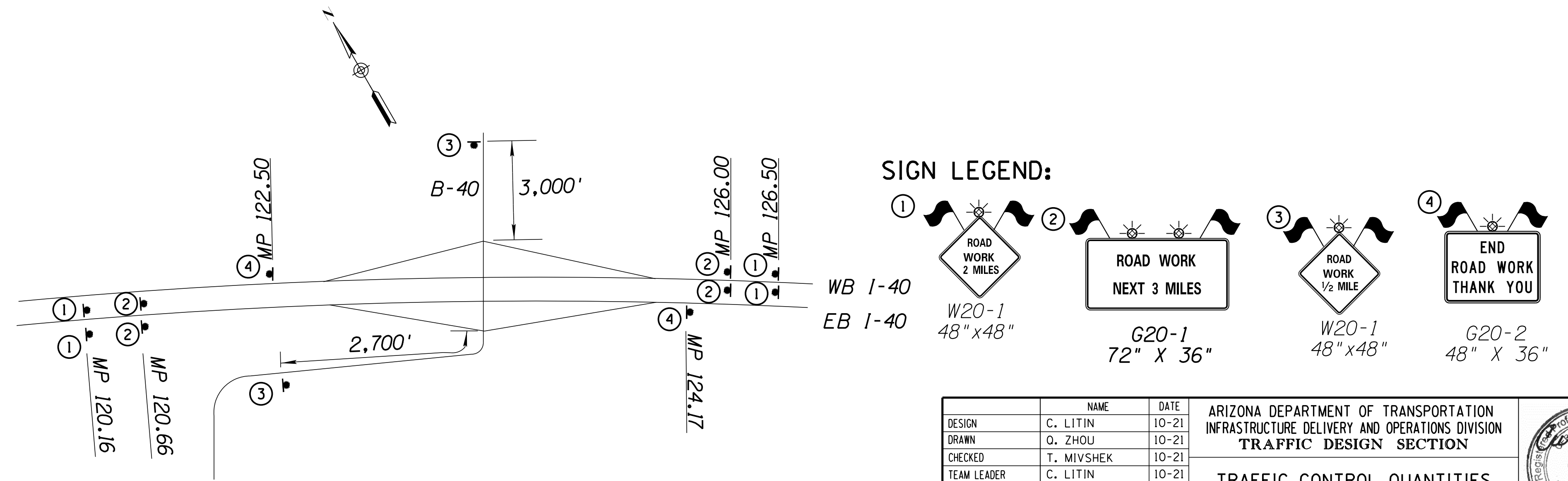
DESIGN	C. LITIN	10-21	ARIZONA DEPARTMENT OF TRANSPORTATION INFRASTRUCTURE DELIVERY AND OPERATIONS DIVISION TRAFFIC DESIGN SECTION	
DRAWN	G. ZHOU	10-21		
CHECKED	T. MIVSHEK	10-21		
TEAM LEADER	C. LITIN	10-21		
TRAFFIC CONTROL NOTES				
LOCATION			I-40 EAST SELIGMAN TI OP, EB/WB	SHEET 1 OF 19
TRACS NO. F0161 OIC			040-B(229)T	OF

APPROXIMATE TRAFFIC CONTROL QUANTITIES

BID ITEM NO.	ELEMENT OF WORK	UNIT	ADVANCE WARNING SIGNS	EB I-40 DETOUR PHASE I	WB I-40 DETOUR PHASE II	CROSSROAD FULL ROADWAY CLOSURES	CONSTRUCTION/REMOVAL OF CROSSOVERS	MISCELLANEOUS LANE CLOSURES ON EB/WB I-40	MISCELLANEOUS LANE CLOSURES ON CROSSROAD	SEEDING AND PAVEMENT MARKING
	ESTIMATED DURATION	DAYS	420	125	125	12 Nights	29	18	20	5
7010061	Temporary Concrete Barrier (Special) (Glare Screen)	L. Ft.		5,000	5,100					
7015010	Temporary Concrete Barrier (Installation and Removal)	L. Ft.		6,340	6,320					
7015020	Temporary Impact Attenuators (Installation and Removal)	Each		1	1					
7015032	Type II Preformed Pavement Markings	L. Ft.		32,200	27,600					
7015052	Obliterate Pavement Markings (Stripe)	L. Ft.		12,500	13,200					
7015091	Specialty Signs	Sq. Ft.		356	393					
7016020	Temporary Concrete Barrier (In Use)	L. Ft.-Day		760,800	758,400					
7016021	Temporary Impact Attenuators (In Use)	Each-Day		120	120					
7016030	Barricade (Type 2, Vertical Panel)	Each-Day	16,000							
7016031	Barricade (Type 3, High Level Flag Tree)	Each-Day		2,500	2,500	96	752			
7016032	Rigid Stand	Each-Day				96				
7016033	Portable Sign Stand (Spring Type)	Each-Day				144	783	972	200	135
7016034	Drum	Each-Day		25,000	22,500		3,760	1,920		600
7016035	Warning Light (Type A)	Each-Day	6,720	8,250	8,250	360	1,504			
7016037	Warning Light (Type C)	Each-Day	16,000	25,000	22,500		3,760			
7016038	Traffic Cone (28 In.)	Each-Day							800	
7016039	Embedded Sign Post	Each-Day	10,080	2,875	2,875					
7016050	Truck-Mounted Attenuator	Each-Day						12		
7016051	Temporary Sign (Less Than 10 Sq. Ft.)	Each-Day		875	875	48				
7016052	Temporary Sign (At Least 10 Sq. Ft.)	Each-Day	5,040	3,250	3,250	160	783	972	200	135
7016061	Flashing Arrow Panel	Each-Day		125	125		58	36		5
7016067	Changeable Message Board (Contractor Furnished)	Each-Day	1,600							
7016075	Flagging Services (Civilian)	Hour				240	40	100	400	
7016079	Flagging Services (Uniformed Officer)	Hour				156	753	468	260	65
7080201	Waterborne - Type I Pavement Marking (Painted) (White)	L. Ft.		1,800	13,600					
7080202	Waterborne - Type I Pavement Marking (Painted) (Yellow)	L. Ft.		1,400	2,900					
7080401	Waterborne - Type II Pavement Marking (Painted) (White)	L. Ft.		13,800						
7080402	Waterborne - Type II Pavement Marking (Painted) (Yellow)	L. Ft.		1,500						

NOTES:

- Traffic control for miscellaneous activities is not included in the above table.
- Item 7010061 applies only to the installation (50% payment) and removal (50% payment) of the glare screen, as identified on the project plans or as modified by the Engineer. The Contractor shall receive no daily reimbursement for the use of the glare screen. Further information is contained in the special provisions for Item 7010061. For Phase I (EB Bridge Work) the Contractor shall install the glare screen between Sta. 6404+00± and Sta. 6453+80± along WB I-40 between the EB and WB travel ways. For Phase II (WB Bridge Work), the Contractor shall install the glare screen between Sta. 6403+60± and Sta. 6454+40± along EB I-40 between the EB and WB travel ways.



NOTE: All locations are approximate.

DESIGN	C. LITIN	10-21	ARIZONA DEPARTMENT OF TRANSPORTATION INFRASTRUCTURE DELIVERY AND OPERATIONS DIVISION TRAFFIC DESIGN SECTION	
DRAWN	G. ZHOU	10-21		
CHECKED	T. MIVSHEK	10-21		
TEAM LEADER	C. LITIN	10-21		
LOCATION			I-40 EAST SELIGMAN TI OP, EB/WB	SHEET 2 OF 19
TRACS NO. F0161 01C		040-B(229)T		OF

F.H.W.A. REGION	STATE	PROJECT NO.	SHEET NO.	TOTAL SHEETS	RECORD DRAWING
9	ARIZ.	040-B(229)T	31	87	


040 YV 122

MAINTENANCE AND PROTECTION OF TRAFFIC - PHASE I (EB BRIDGE WORK)

PHASE	CONSTRUCTION ACTIVITY	TRAFFIC CONTROL
	Install the advance project signing.	
	Clear and grub and construct all four detours. Obliterate rumble strips and repave the shoulders due to rumble strip removal only along WB I-40 and where the EB median shoulder intersects the Phase I detours. Install temporary concrete barrier, temporary striping (Type II tape on the portions of I-40 not being resurfaced), etc., on WB I-40 to prepare for EB I-40 traffic being moved onto the WB I-40 roadway. Only after all the traffic control is in place on WB I-40 shall the Contractor begin positioning temporary concrete barrier, temporary striping, etc., on the EB I-40 roadway. The Contractor shall not begin placing the temporary concrete barrier, etc., on I-40 prior to 12:01 AM April 15, 2022.	Lane closures shall generally conform to Figures SA-5(L) and SA-5(R) of the 2019 ADOT Traffic Control Design Guidelines. Install temporary painted markings only on the Phase I detours and the portions of I-40 being milled and repaved. The Contractor shall begin the installation of the temporary concrete barrier on the east side of B-40 and proceed westward. The Contractor shall keep the left-lane closure on WB I-40 in place, using traffic drums, steady-burning and warning lights, etc., from the time the first segment of temporary concrete barrier is installed on the WB I-40 roadway.
	Construct deck replacement, new barrier walls, guardrail, and approaches for the new EB I-40 bridge deck over B-40.	Maintain the EB I-40 traffic on the WB I-40 roadway, separated by temporary concrete barrier and (approximately between Sta. 6404+00 and 6453+80) glare screen from the WB I-40 traffic per the Phase I traffic control plans on sheets 6 -12.
	Re-open the EB I-40 roadway to EB I-40 traffic as soon as all bridge deck, bridge barrier, roadway approach, and guardrail work on EB I-40 has been completed. Install temporary painted markings on EB I-40 no later than the day the temporary concrete barrier, temporary striping, etc., has been removed from EB I-40. Do not install rumble strips. Unless otherwise permitted by the Engineer, mill and replace EB I-40 approximately between Sta. 6396+11 and Sta. 6462+65 except for the new bridge and the portions of EB I-40 being reconstructed.	Lane closures shall generally conform to Figures SA-5(L) and SA-5(R) of the 2019 ADOT Traffic Control Design Guidelines.
	Remove temporary concrete barrier, temporary striping, etc., from WB I-40 only after the EB I-40 traffic has resumed travelling on the EB I-40 roadway. All temporary concrete barrier, temporary striping, etc., associated with the Phase I work shall be removed from both I-40 roadways by 11:59 PM October 15, 2022, or the Contractor shall be subject to the liquidated damages identified in the special provisions. Do not yet place ACFC on either EB or WB I-40.	The Contractor shall keep the left-lane closure on WB I-40 in place, using traffic drums, steady-burning lights and warning lights, etc., until the last segment of temporary concrete barrier has been removed from the WB I-40 roadway. The Contractor shall begin the removal of the temporary concrete barrier by the western detour and proceed eastward.
	Install temporary painted markings on WB I-40 no later than the day the temporary concrete barrier, temporary striping, etc., has been removed from WB I-40. Do not install rumble strips. Install seeding required to be in place prior to the Phase II work. Prepare the detours for a seasonal shutdown, placing surface-mounted delineators. Remove the advance project signing/clean up roadways for a seasonal shutdown.	Lane closures shall generally conform to Figures SA-5(L) and SA-5(R) of the 2019 ADOT Traffic Control Design Guidelines. For some seeding and WB I-40 re-striping operations, the Engineer may permit the Contractor to utilize a mobile traffic control setup with a truck-mounted attenuator in accordance with Typical Application 17 of the 2009 Manual On Uniform Traffic Control Devices (MUTCD) or Figure SA-18B or Figure SA-19D of the 2019 ADOT Traffic Control Design Guidelines.

NOTES:

- Unless otherwise permitted by the Engineer such as for gore paving and replacement pavement marking work, all ramps shall remain open to traffic at all times.
- The Contractor shall be permitted to close completely the crossroad (B-40) a maximum of four times per phase at night for bridge demolition and deck pouring work.

DESIGN	C. LITIN	10-21	ARIZONA DEPARTMENT OF TRANSPORTATION INFRASTRUCTURE DELIVERY AND OPERATIONS DIVISION TRAFFIC DESIGN SECTION	
DRAWN	G. ZHOU	10-21		
CHECKED	T. MIVSHEK	10-21		
TEAM LEADER	C. LITIN	10-21		
LOCATION			I-40 EAST SELIGMAN TI OP, EB/WB	SHEET 3 OF 19
TRACS NO. F0161 01C		040-B(229)T		OF

MADE BY DATE NO.1 DESCRIPTION OF REVISION NO.2 DESCRIPTION OF REVISION


F.H.W.A. REGION	STATE	PROJECT NO.	SHEET NO.	TOTAL SHEETS	RECORD DRAWING
9	ARIZ.	040-B(229)T	32	87	

040 YV 122

MAINTENANCE AND PROTECTION OF TRAFFIC - PHASE II (WB BRIDGE WORK)		
PHASE	CONSTRUCTION ACTIVITY	TRAFFIC CONTROL
	<p>Re-install the advance project signing.</p> <p>Obliterate rumble strips and repave the shoulders due to rumble strip removal not resurfaced during the Phase I work. Remove the surface-mounted delineators and prepare the detours for the Phase II traffic control.</p> <p>Install temporary concrete barrier, temporary striping (Type II tape on the portions of I-40 not being resurfaced), etc., on EB I-40 to prepare for WB I-40 traffic being moved onto the EB I-40 roadway. Only after all the traffic control is in place on EB I-40 shall the Contractor begin positioning temporary concrete barrier, temporary striping, etc., on the WB I-40 roadway. The Contractor shall not begin placing the temporary concrete barrier, etc., on I-40 prior to 12:01 AM April 15, 2023.</p>	<p>Lane closures shall generally conform to Figures SA-5(L) and SA-5(R) of the 2019 ADOT Traffic Control Design Guidelines. Install temporary painted markings only on the Phase II detours and the portions of I-40 being milled and repaved. As approved by the Engineer, refresh other painted striping for Phase II traffic control.</p> <p>The Contractor shall begin the installation of the temporary concrete barrier on the west side of B-40 and proceed eastward. The Contractor shall keep the left-lane closure on EB I-40 in place, using traffic drums, steady-burning and warning lights, etc., from the time the first segment of temporary concrete barrier is installed on the EB I-40 roadway.</p>
	<p>Construct deck replacement, new barrier walls, guardrail, and approaches for the new WB I-40 bridge deck over B-40.</p>	<p>Maintain the WB I-40 traffic on the EB I-40 roadway, separated by temporary concrete barrier and (approximately between Sta. 6403+60 and 6454+40) glare screen from the EB I-40 traffic per the Phase II traffic control plans on sheets 13-19.</p>
	<p>Re-open the WB I-40 roadway to WB I-40 traffic as soon as all bridge deck, bridge barrier, roadway approach, and guardrail work on WB I-40 has been completed. Unless the Contractor permits the Contractor to mill and replace WB I-40 in Phase I, mill and replace WB I-40 approximately between Sta. 6426+86 and Sta. 6462+65. Install painted markings on WB I-40 no later than the day the temporary concrete barrier, temporary striping, etc., has been removed from WB I-40.</p>	<p>Lane closures shall generally conform to Figures SA-5(L) and SA-5(R) of the 2019 ADOT Traffic Control Design Guidelines.</p>
	<p>Remove temporary concrete barrier, temporary striping, etc., from EB I-40 only after the WB I-40 traffic has resumed travelling on the WB I-40 roadway. All temporary concrete barrier, temporary striping, etc., associated with the Phase II work shall be removed from both I-40 roadways by 11:59 PM October 15, 2023, or the Contractor shall be subject to the liquidated damages identified in the special provisions. Place ACFC on both I-40 roadways. The Engineer may delay the application of the painted markings on one or both roadways until the same day the Contractor places the ACFC on the roadway(s).</p>	<p>The Contractor shall keep the left-lane closure on EB I-40 in place, using traffic drums, steady-burning and warning lights, etc., until the last segment of temporary concrete barrier has been removed from the EB I-40 roadway. The Contractor shall begin the removal of the temporary concrete barrier by the eastern detour and proceed westward.</p>
	<p>Remove the detours and regrade and seed the median, where disturbed.</p> <p>Place chain link cable barriers and signing.</p> <p>Install rumble strips on the EB and WB I-40 shoulders. Install the epoxy striping on EB and WB I-40.</p> <p>Remove the advance project signing/clean up the roadways and project site.</p>	<p>Lane closures shall generally conform to Figures SA-5(L) and SA-5(R) of the 2019 ADOT Traffic Control Design Guidelines. For some seeding and applications of painted striping, the Engineer may permit the Contractor to utilize a mobile traffic control setup with a truck-mounted attenuator in accordance with Typical Application 17 of the 2009 Manual On Uniform Traffic Control Devices (MUTCD) or Figure SA-18B or Figure SA-19D of the 2019 ADOT Traffic Control Design Guidelines.</p>

NOTES:

- Unless otherwise permitted by the Engineer such as for gore paving and replacement pavement marking work, all ramps shall remain open to traffic at all times.
- The Contractor shall be permitted to close completely the crossroad (B-40) a maximum of four times per phase at night for bridge demolition and deck pouring work.

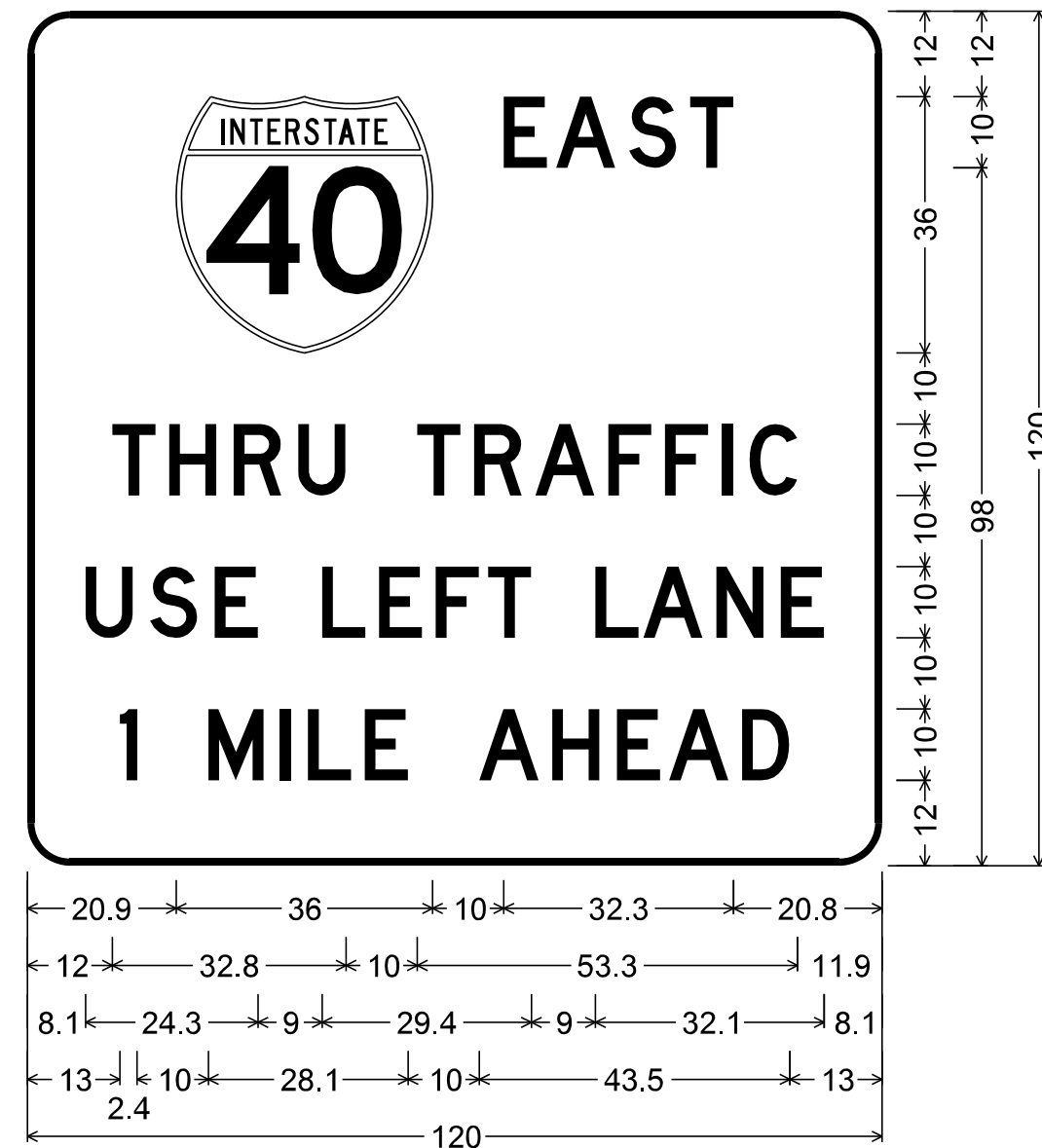
DESIGN	C. LITIN	10-21	ARIZONA DEPARTMENT OF TRANSPORTATION INFRASTRUCTURE DELIVERY AND OPERATIONS DIVISION TRAFFIC DESIGN SECTION CONSTRUCTION SEQUENCING PHASE II (WB I-40 BRIDGE)	
DRAWN	G. ZHOU	10-21		
CHECKED	T. MIVSHEK	10-21		
TEAM LEADER	C. LITIN	10-21		
LOCATION			I-40 EAST SELIGMAN TI OP, EB/WB	SHEET 4 OF 19
TRACS NO. F0161 01C		040-B(229)T		OF

No. 1. DESCRIPTION OF REVISION
 DATE
 MADE BY
 No. 2. DESCRIPTION OF REVISION
 DATE
 MADE BY

F.H.W.A. REGION	STATE	PROJECT NO.	SHEET NO.	TOTAL SHEETS	RECORD DRAWING
9	ARIZ.	040-B(229)T	33	87	

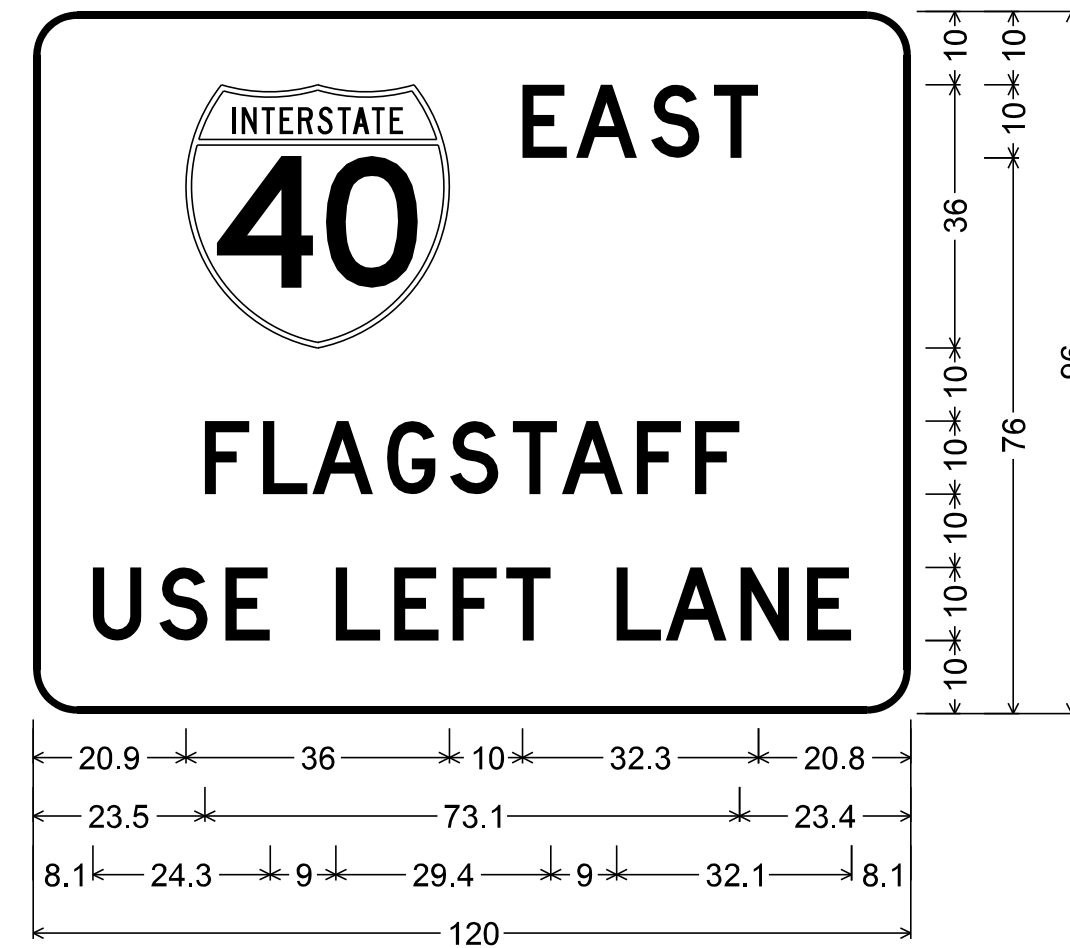
040 YV 122

(S1)

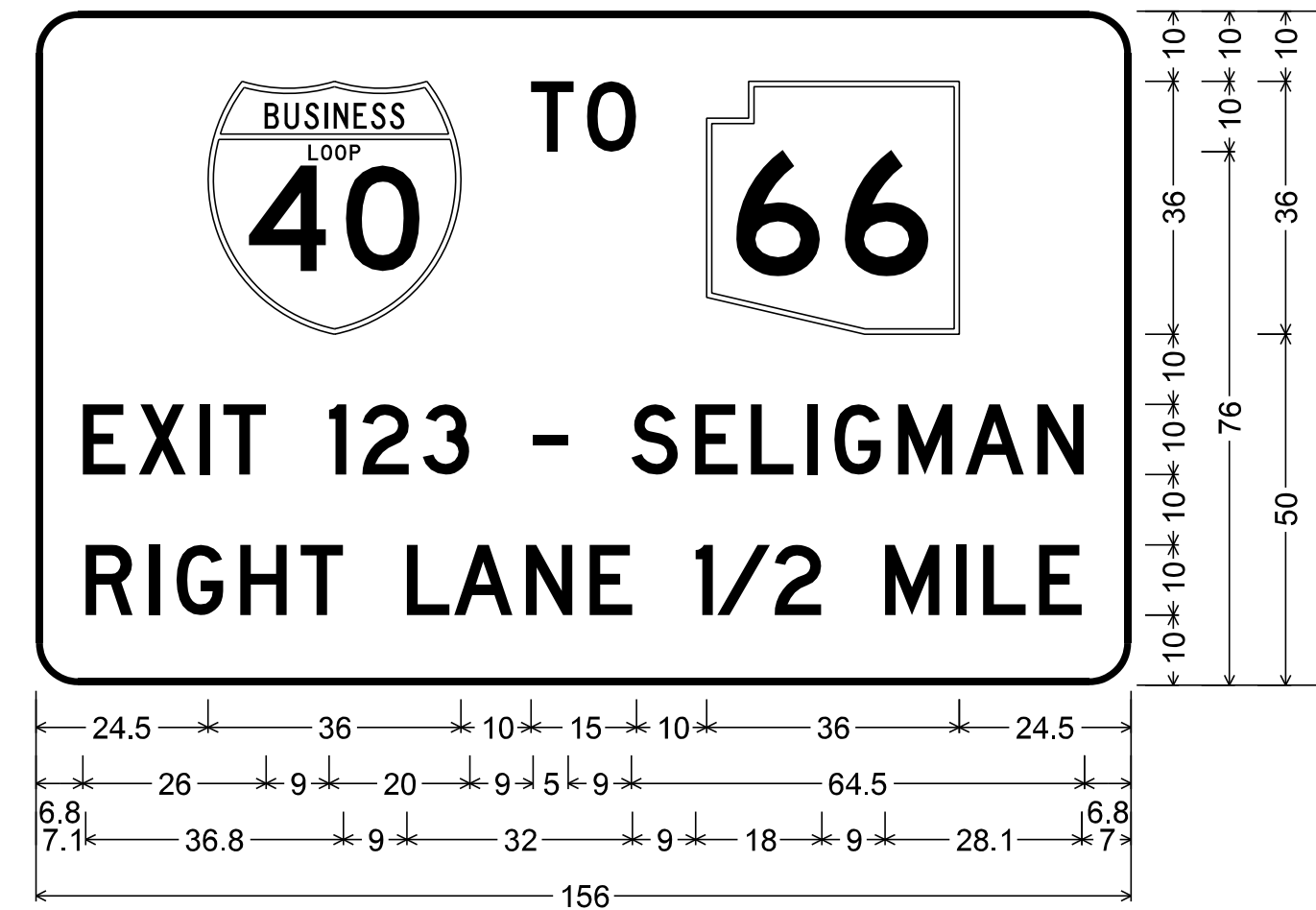


6.0" Radius, 1.0" Border, Black on Orange;
[EAST] D; [THRU TRAFFIC] D; [USE LEFT LANE] D;
[1 MILE AHEAD] D;

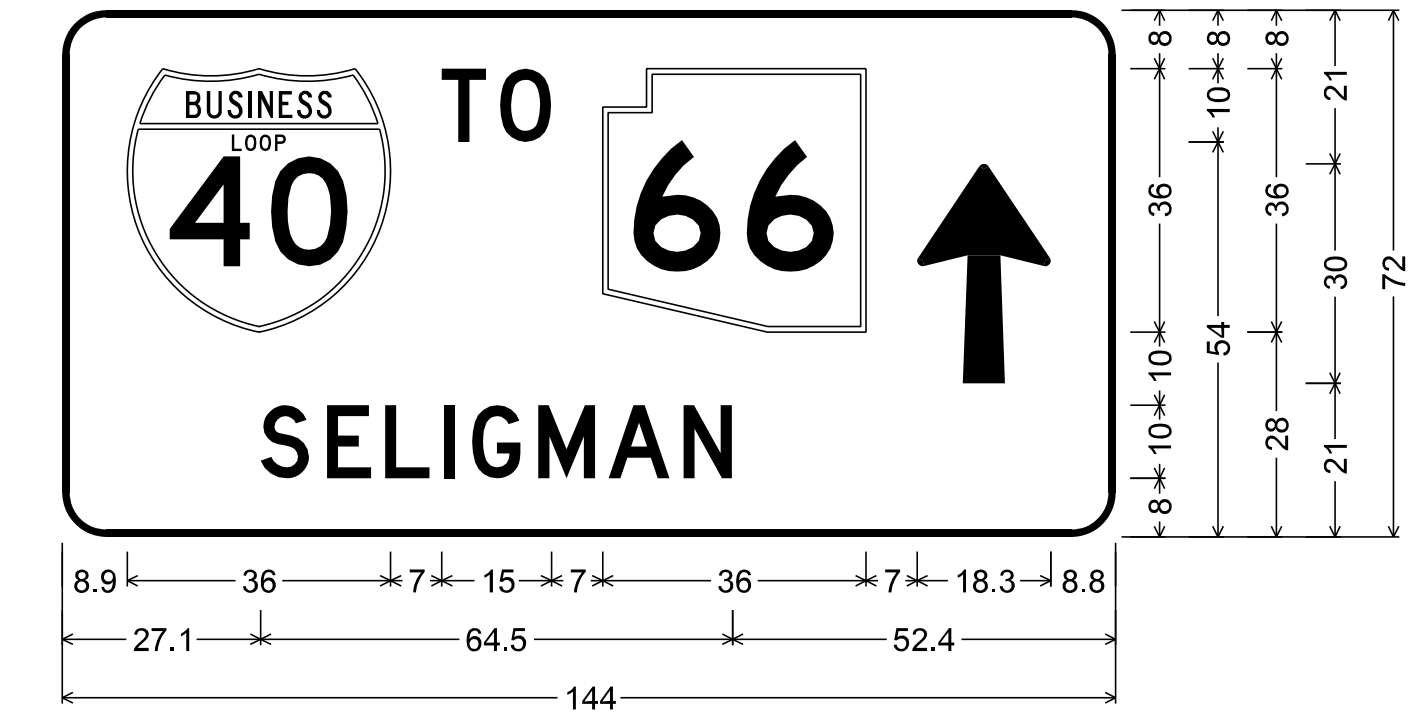
(S2)



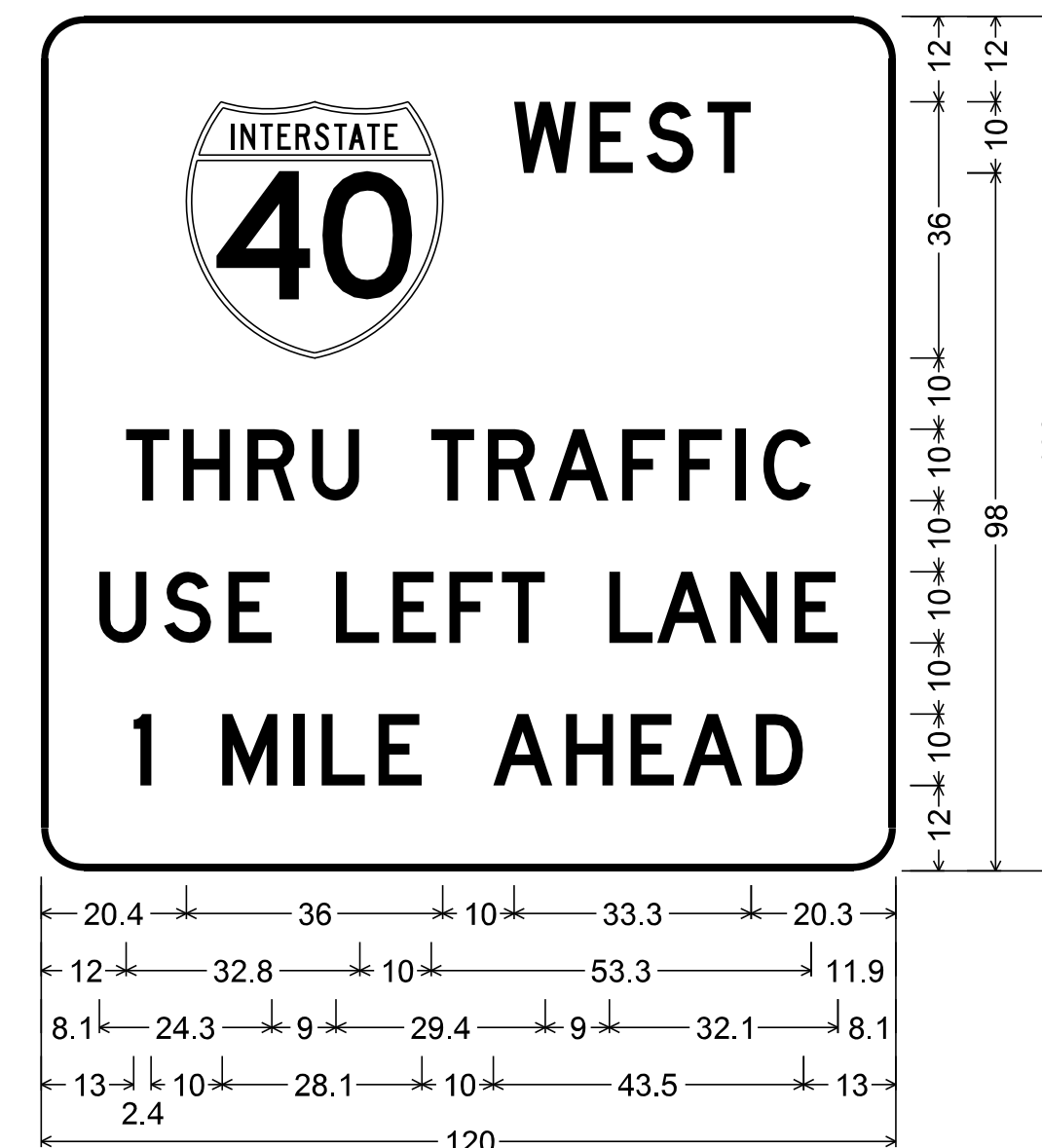
(S3)



(S4)

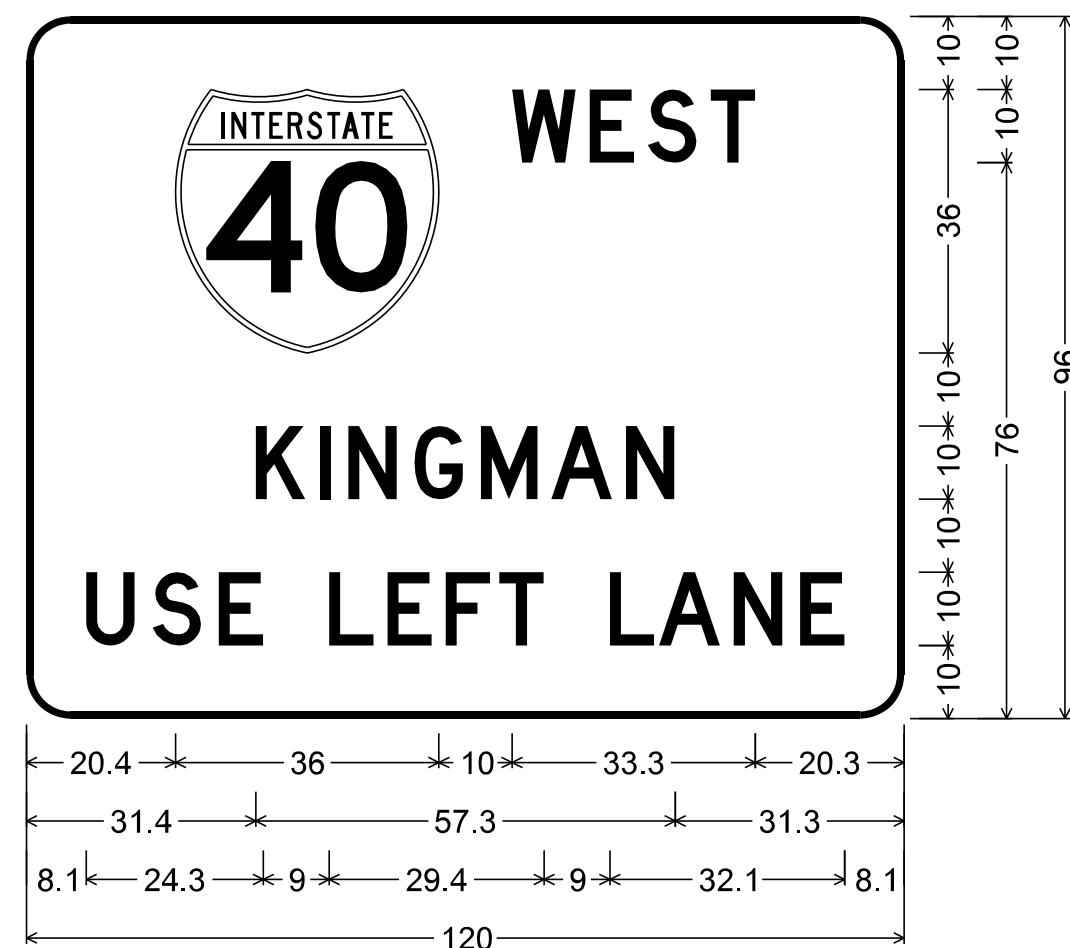


(S5)

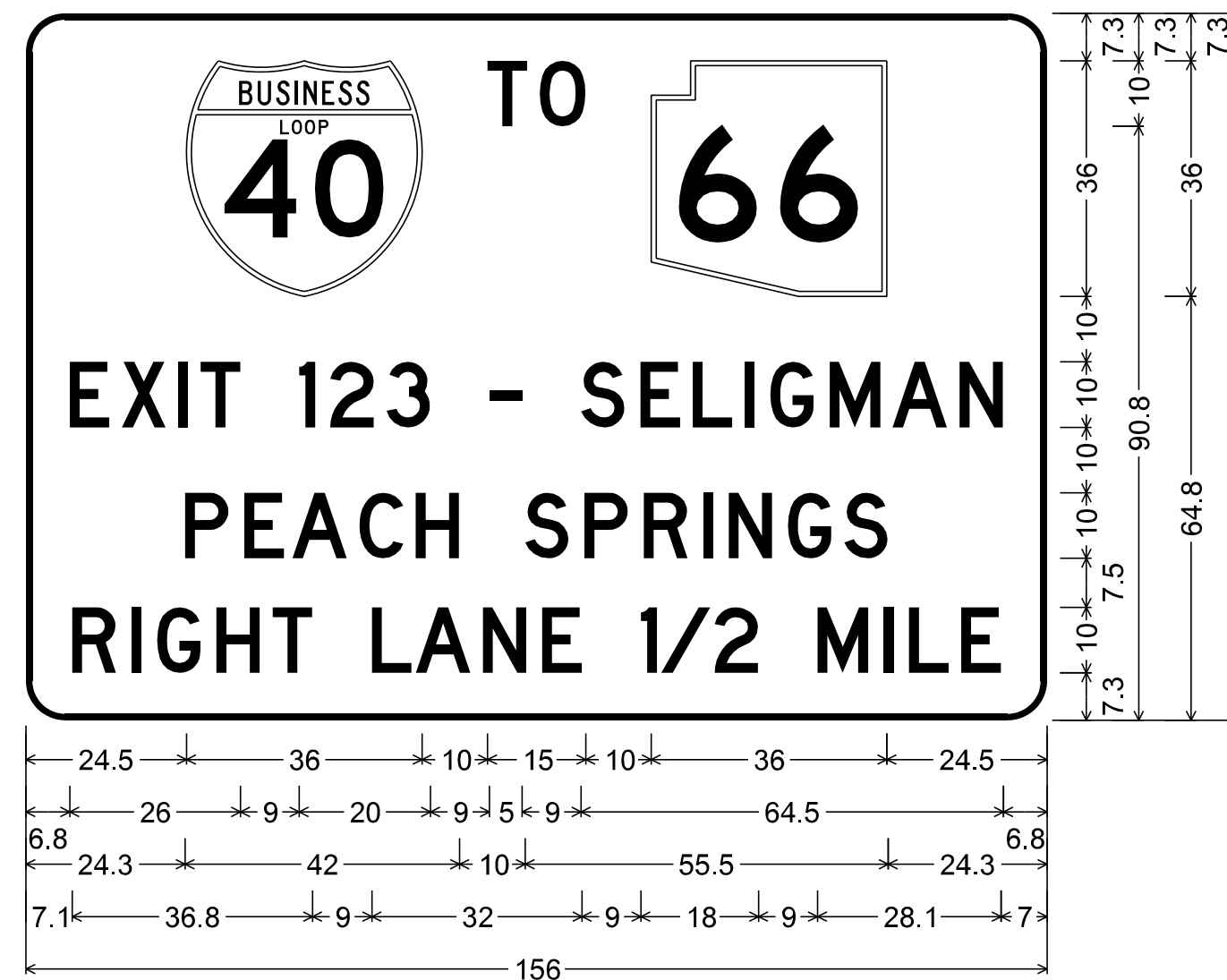


6.0" Radius, 1.0" Border, Black on Orange;
[WEST] D; [THRU TRAFFIC] D;
[USE LEFT LANE] D; [1 MILE AHEAD] D;

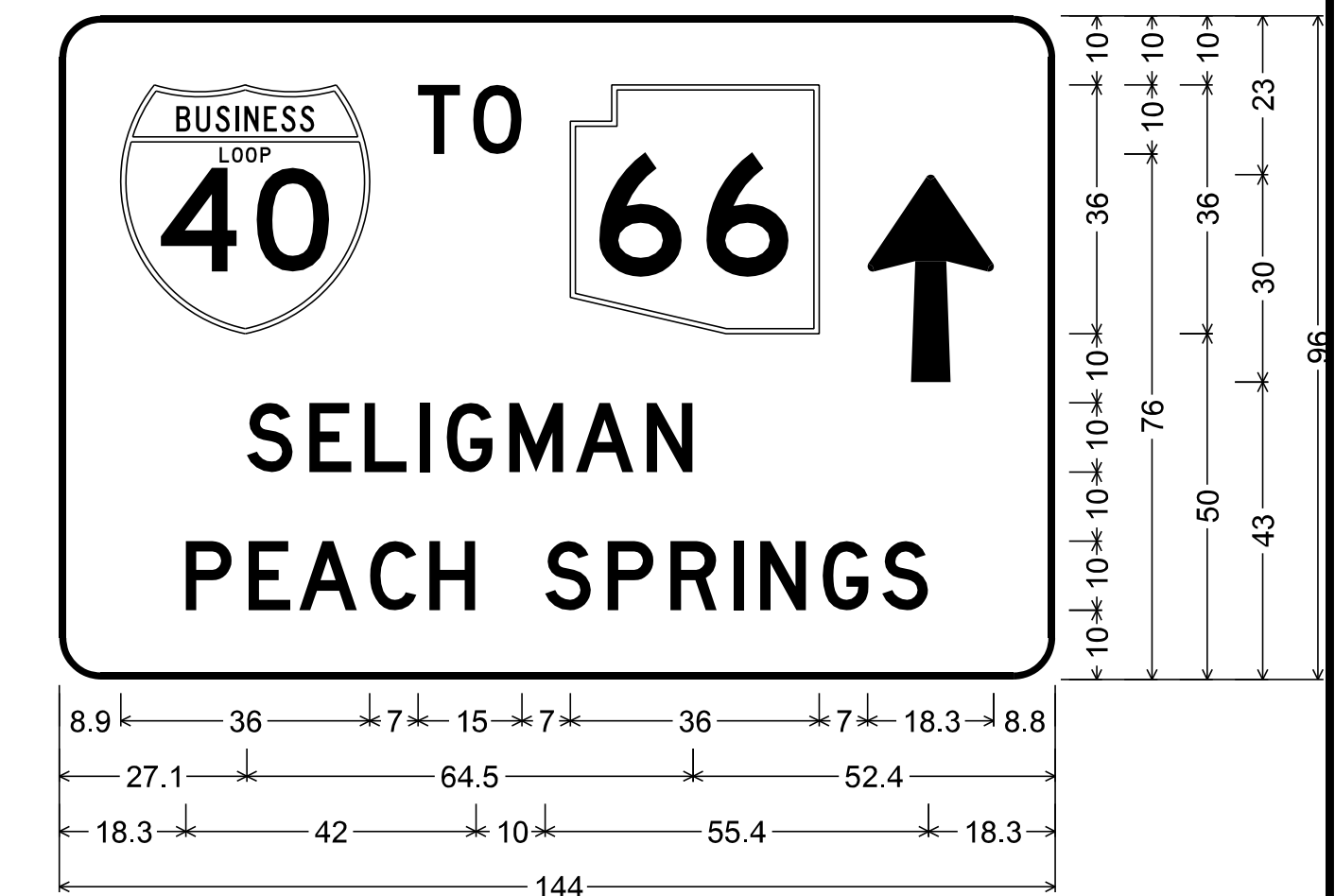
(S6)



(S7)



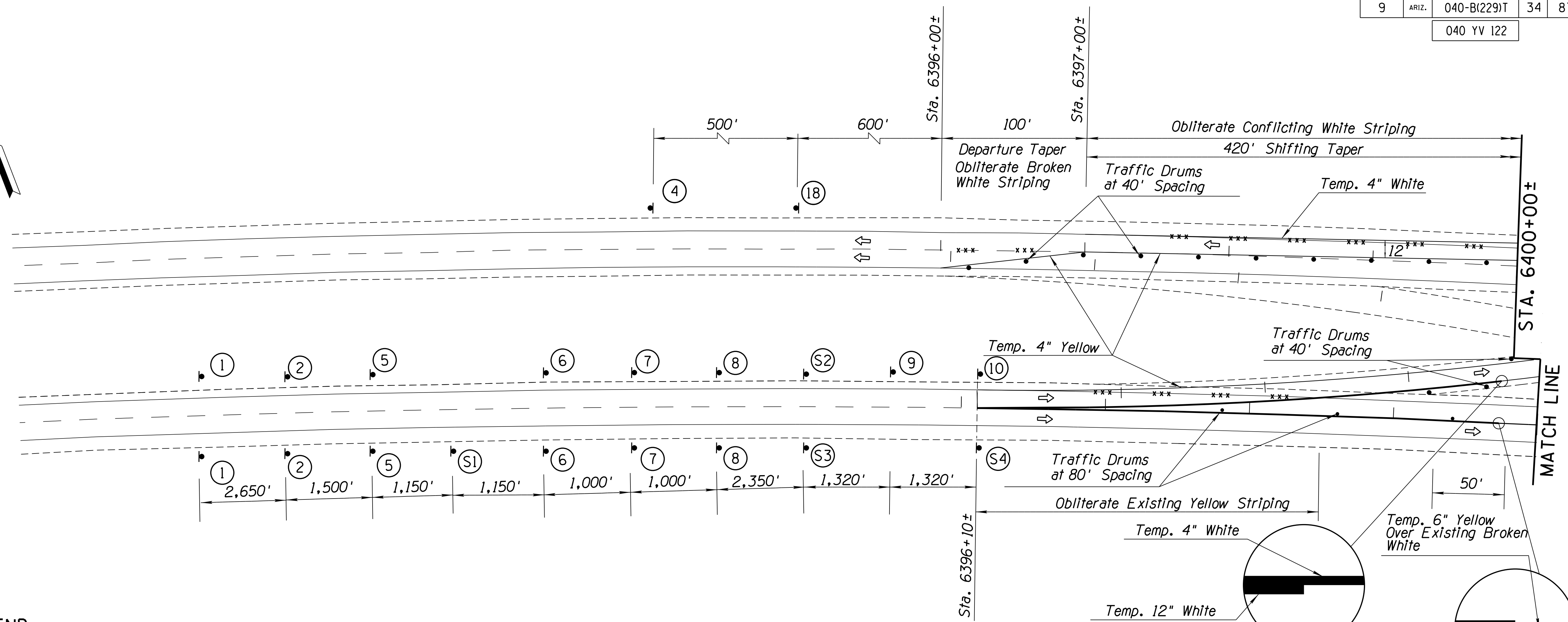
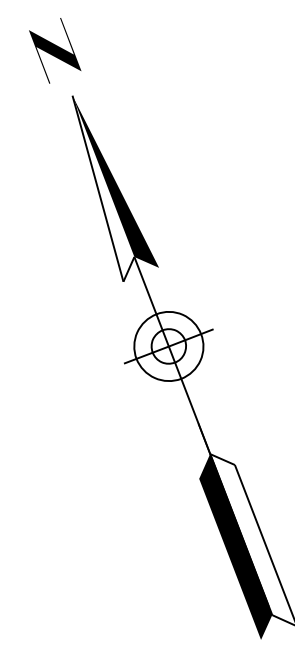
(S8)



NOTES:

- Adjustments to the details of these traffic control plans and requirements may be necessary due to construction activities, as directed by the Engineer.
- Each sign shown on this sheet is a specialty sign with black legend on an orange background, except as otherwise noted.
- All text on the specialty signs shall be 10 in. text (D alphabet). All radii shall be 6 in. All borders shall be 1 in.
- Each route marker shall be 36 in. x 36 in. with 18 in. text. Each route marker shall be red, white and blue. Each route marker shall be black on white.
- The Contractor shall not display these signs until 24 hours prior to the start of Phase I work for signs (S1), (S2), (S3), and (S4) and 24 hours prior to the start of Phase II work for signs (S5), (S6), (S7), and (S8), and shall remove them at the end of the work for that phase.
- The Contractor may install the specialty signs on wood posts in accordance with Std. Dwg. S-16 or on breakaway posts in accordance with Std. Dwg. S-2. The posts shall meet the criteria established in NCHRP 350 or MASH (AASHTO Manual for Assessing Safety Hardware) for breakaway sign supports, unless the sign is installed beyond the clear zone or behind a barrier. The cost of the posts shall be considered incidental to the cost of the sign.

DESIGN	C. LITIN	10-21	ARIZONA DEPARTMENT OF TRANSPORTATION INFRASTRUCTURE DELIVERY AND OPERATIONS DIVISION TRAFFIC DESIGN SECTION	
DRAWN	O. ZHOU	10-21		
CHECKED	T. MIVSHEK	10-21		
TEAM LEADER	C. LITIN	10-21		
LOCATION			I-40 EAST SELIGMAN TI OP, EB/WB	SHEET 5 OF 19
TRACS NO. FO161 OIC		040-B(229)T		OF

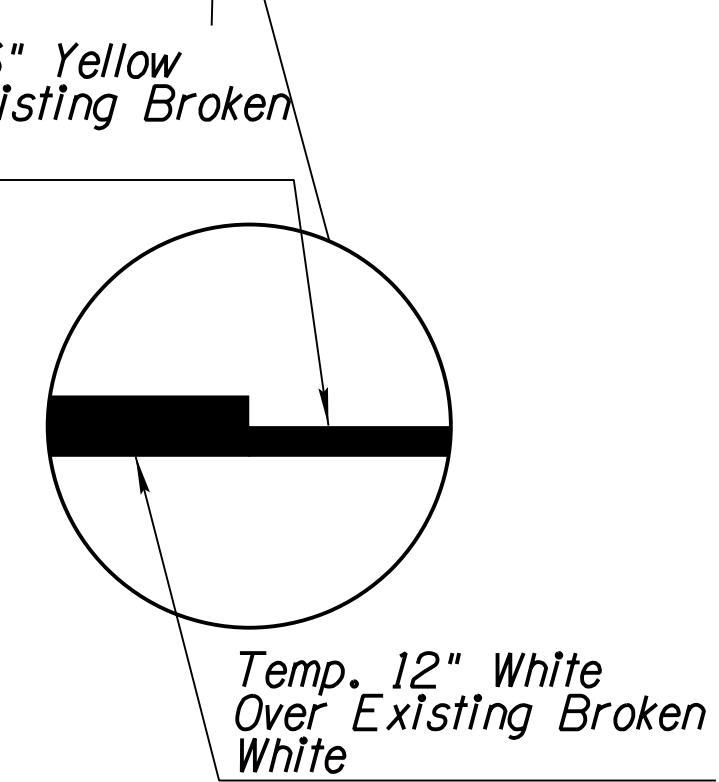


SIGN LEGEND:

① W20-1 48" x 48"	② G20-1 72" x 36"	④ G20-2 48" X 36"	⑤ W20-2 48" X 48"	⑥ W3-5aAZ 48" x 48" Black on White	⑦ R2-1(65) 48" x 60" Black on White	⑧ R2-1(55) 48" x 60" Black on White	SI Specialty Sign 120" X 120" Black On Orange
⑨ W1-4L 48" X 48" W13-1(55) 30" X 30"	⑩ M3-2 36" X 18" White on Blue	⑱ R2-1(75) 48" x 60" Black on White	S2 Specialty Sign 120" X 96" Black On Orange	S3 Specialty Sign 156" X 96" Black On Orange	S4 Specialty Sign 144" X 72" Black On Orange		

SYMBOL LEGEND:

	Sign on Embedded Post(s)
	Sign on Spring Stand
	Traffic Drum
	Type 3 Barricade
	Sign on Type 3 Barricade
	Temporary Concrete Barrier See Std Dwg C-3 for Details.
	Direction of Travel
	Stripe Obliteration
	Work Area

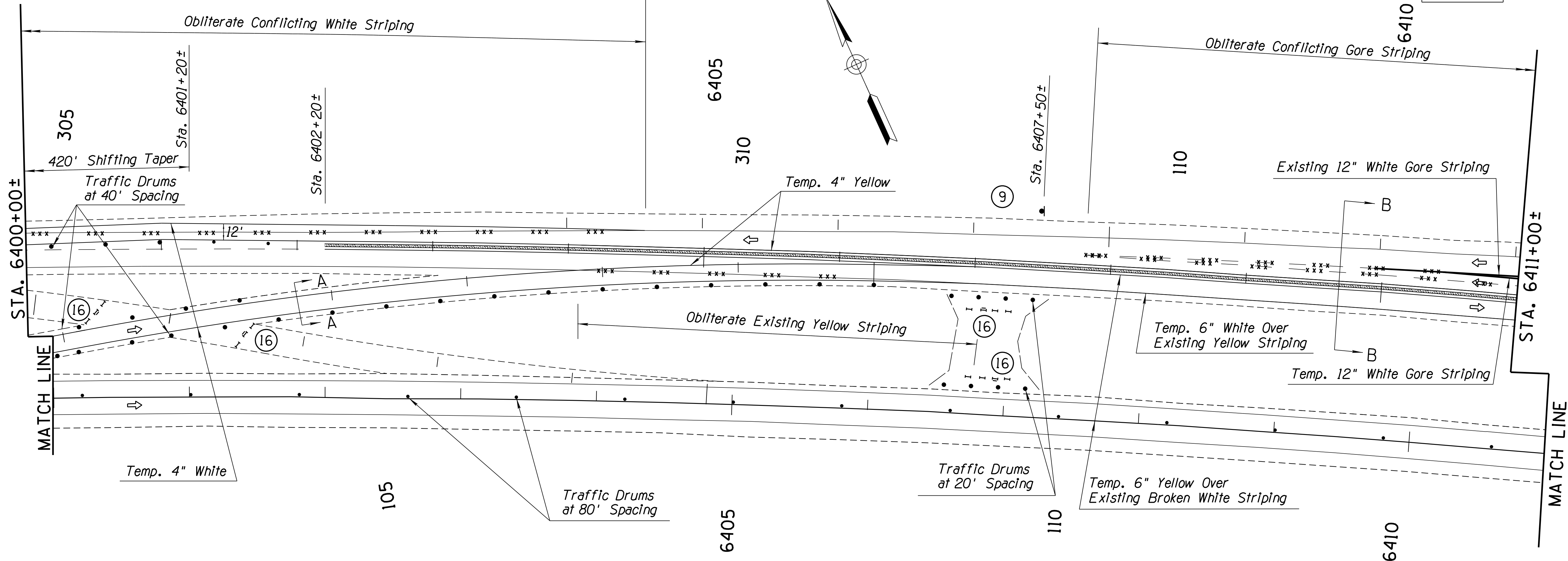


DESIGN	C. LITIN	10-21	ARIZONA DEPARTMENT OF TRANSPORTATION INFRASTRUCTURE DELIVERY AND OPERATIONS DIVISION TRAFFIC DESIGN SECTION TRAFFIC CONTROL PLAN PHASE I (EB BRIDGE CLOSURE) SHEET 1 OF 7
DRAWN	G. ZHOU	10-21	
CHECKED	T. MIVSHEK	10-21	
TEAM LEADER	C. LITIN	10-21	
LOCATION	I-40 EAST SELIGMAN TI OP, EB/WB		
TRACS NO.	F0161 OIC	040-B(229)T	



F.H.W.A. REGION	STATE	PROJECT NO.	SHEET NO.	TOTAL SHEETS	RECORD DRAWING
9	ARIZ.	040-B(229)T	35	87	

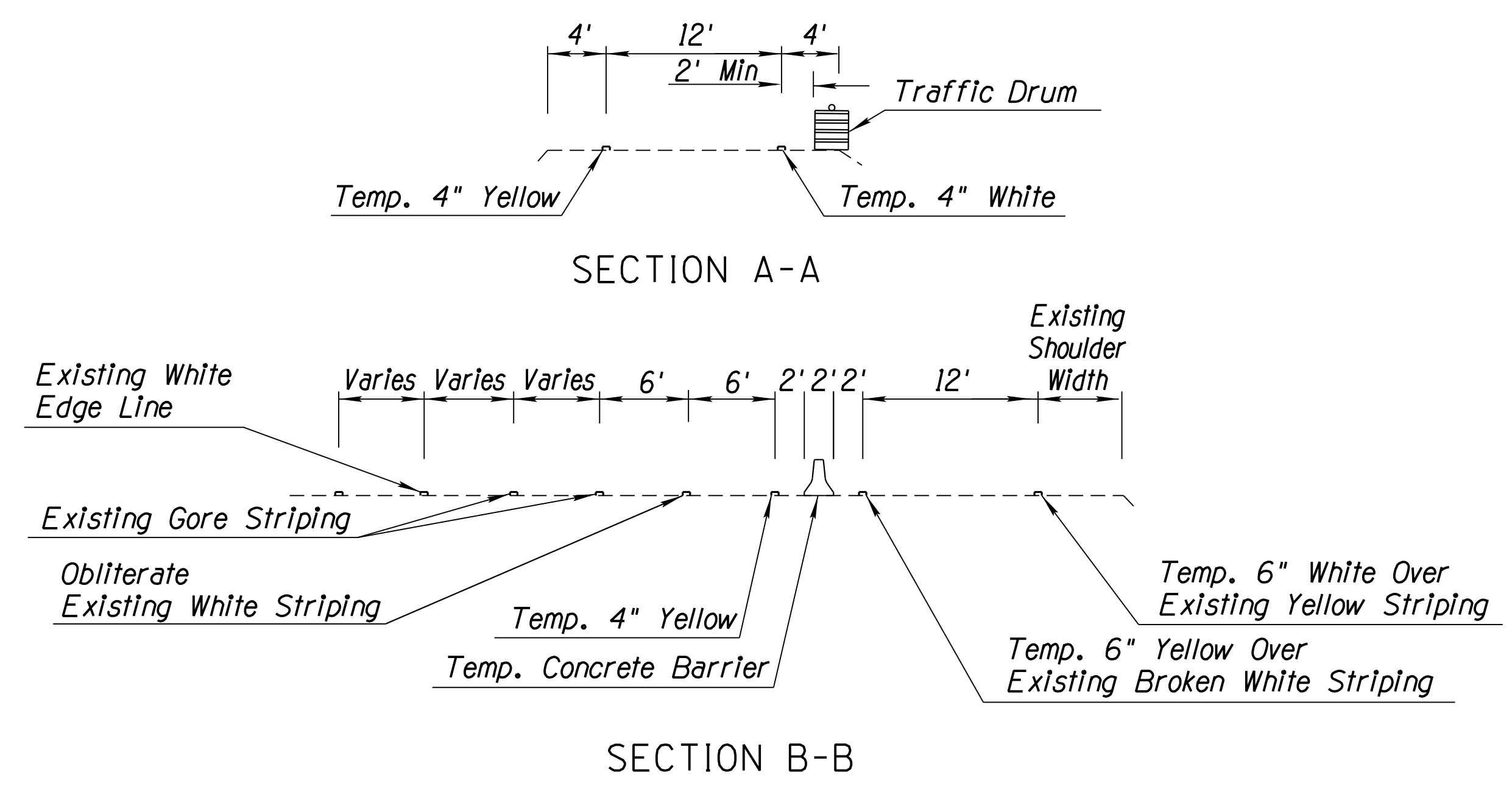
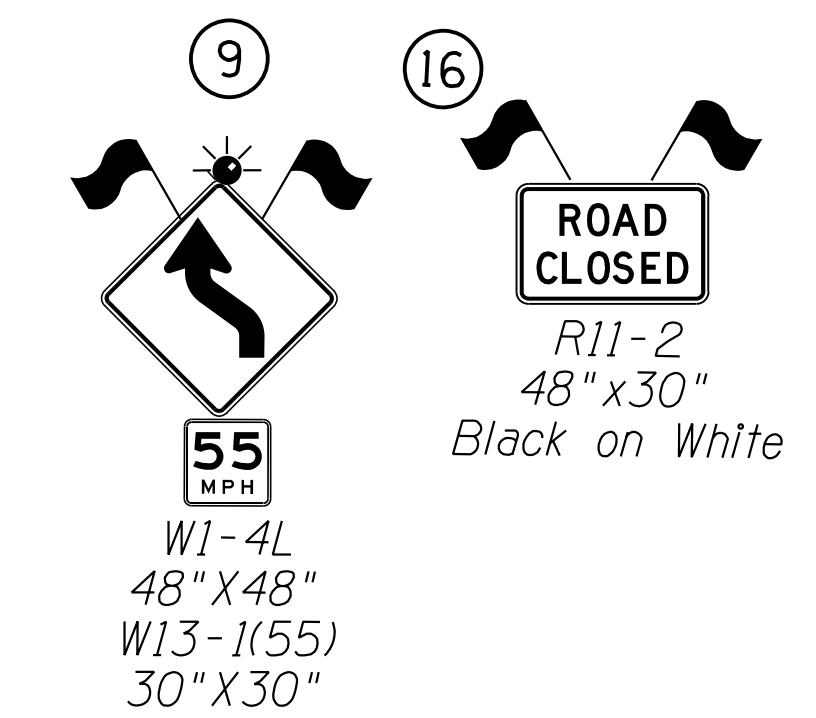
040 YV 122



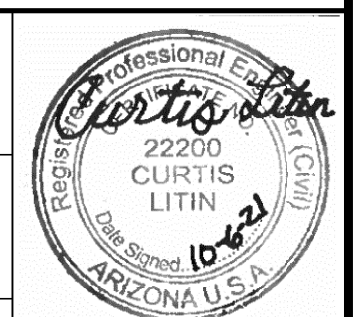
SYMBOL LEGEND:

	Sign on Embedded Post(s)
	Sign on Spring Stand
	Traffic Drum
	Type 3 Barricade
	Sign on Type 3 Barricade
	Temporary Concrete Barrier See Std Dwg C-3 for Details.
	Direction of Travel
	Temporary Sand Barrel Crash Cushion
	Stripe Obliteration
	Work Area

SIGN LEGEND:

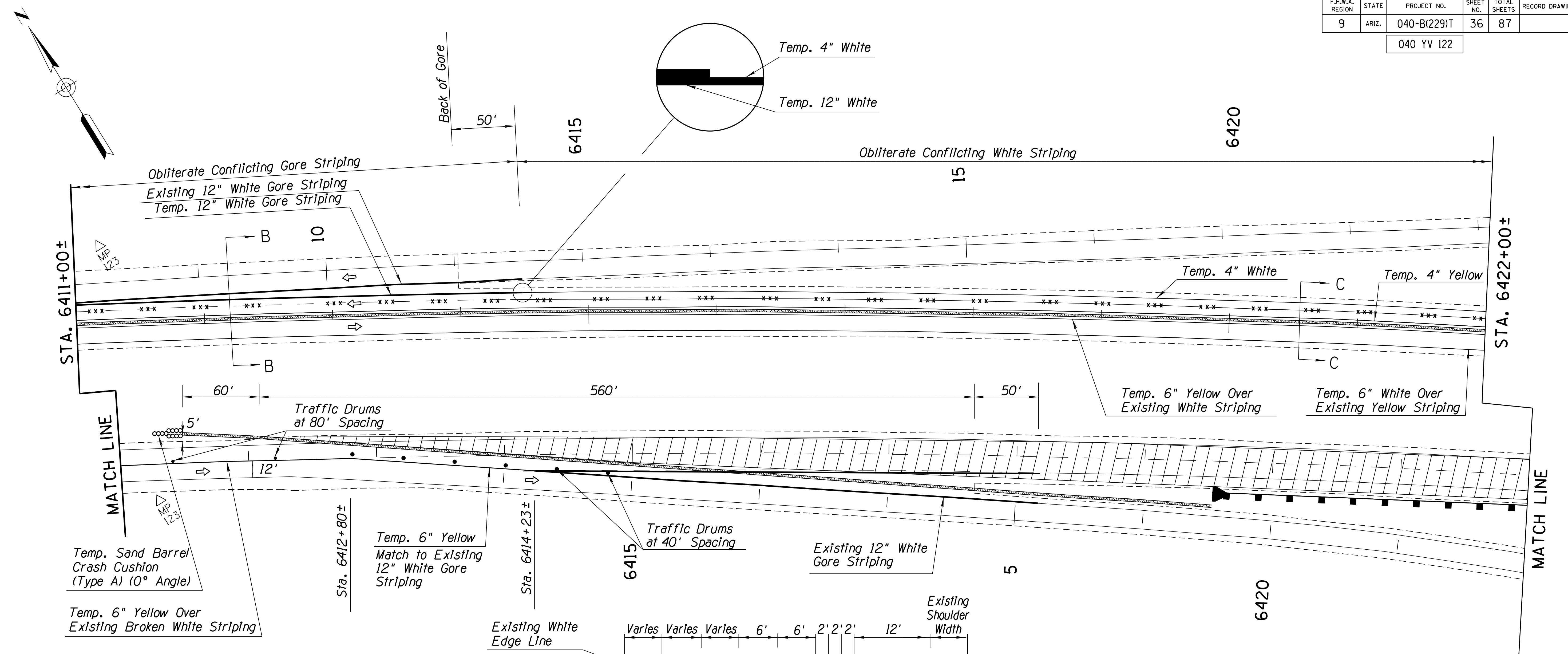


DESIGN	NAME	DATE	ARIZONA DEPARTMENT OF TRANSPORTATION INFRASTRUCTURE DELIVERY AND OPERATIONS DIVISION TRAFFIC DESIGN SECTION
DRAWN	C. LITIN	10-21	
CHECKED	G. ZHOU	10-21	
TEAM LEADER	T. MIVSHEK	10-21	
			TRAFFIC CONTROL PLAN PHASE I (EB BRIDGE CLOSURE) SHEET 2 OF 7



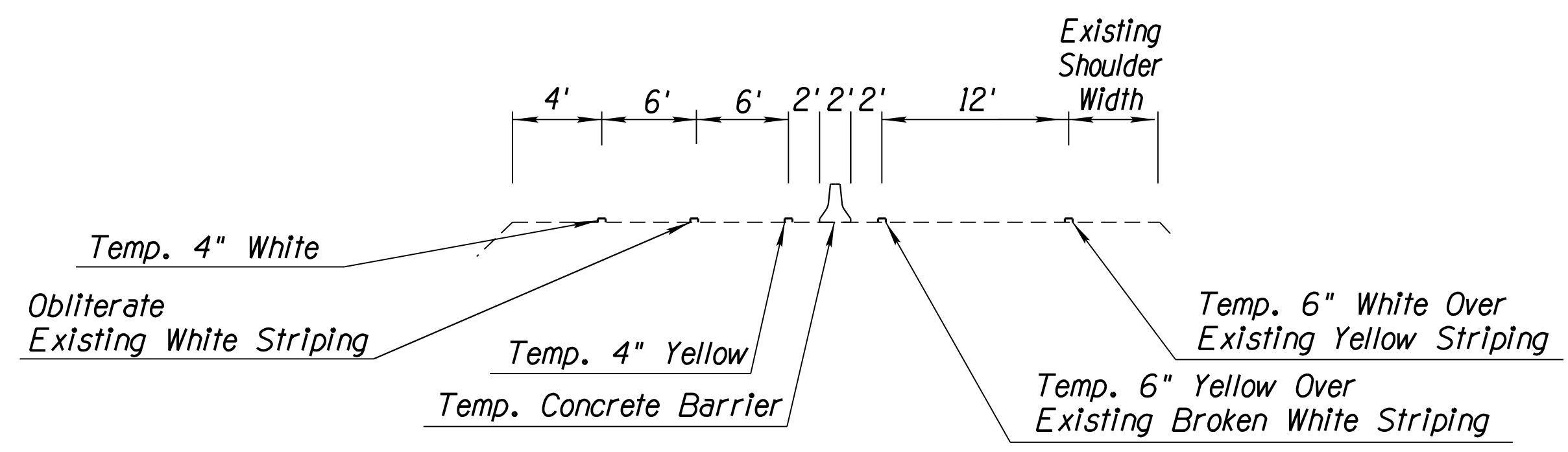
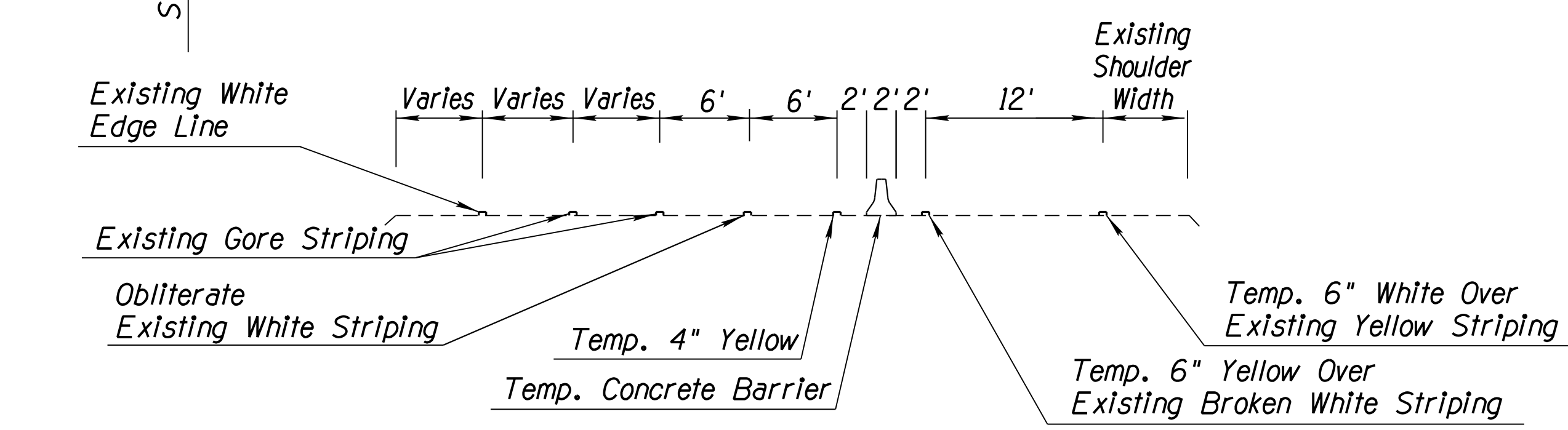
LOCATION	I-40 EAST SELIGMAN TI OP, EB/WB	SHEET 7 OF 19
TRACS NO.	F0161 OIC	040-B(229)T
		OF

040 YV 122



SYMBOL LEGEND:

	Sign on Embedded Post(s)
	Sign on Spring Stand
	Traffic Drum
	Type 3 Barricade
	Sign on Type 3 Barricade
	Temporary Concrete Barrier See Std Dwg C-3 for Details.
	Direction of Travel
	Temporary Sand Barrel Crash Cushion
	Stripe Obliteration
	Work Area

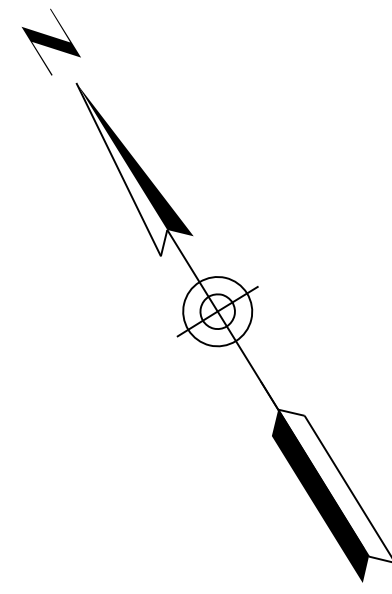


DESIGN	C. LITIN	10-21	ARIZONA DEPARTMENT OF TRANSPORTATION INFRASTRUCTURE DELIVERY AND OPERATIONS DIVISION TRAFFIC DESIGN SECTION	
DRAWN	G. ZHOU	10-21		
CHECKED	T. MIVSHEK	10-21		
TEAM LEADER	C. LITIN	10-21		
LOCATION			I-40 EAST SELIGMAN TI OP, EB/WB	SHEET 8 OF 19
TRACS NO. F0161 OIC		040-B(229)T		OF

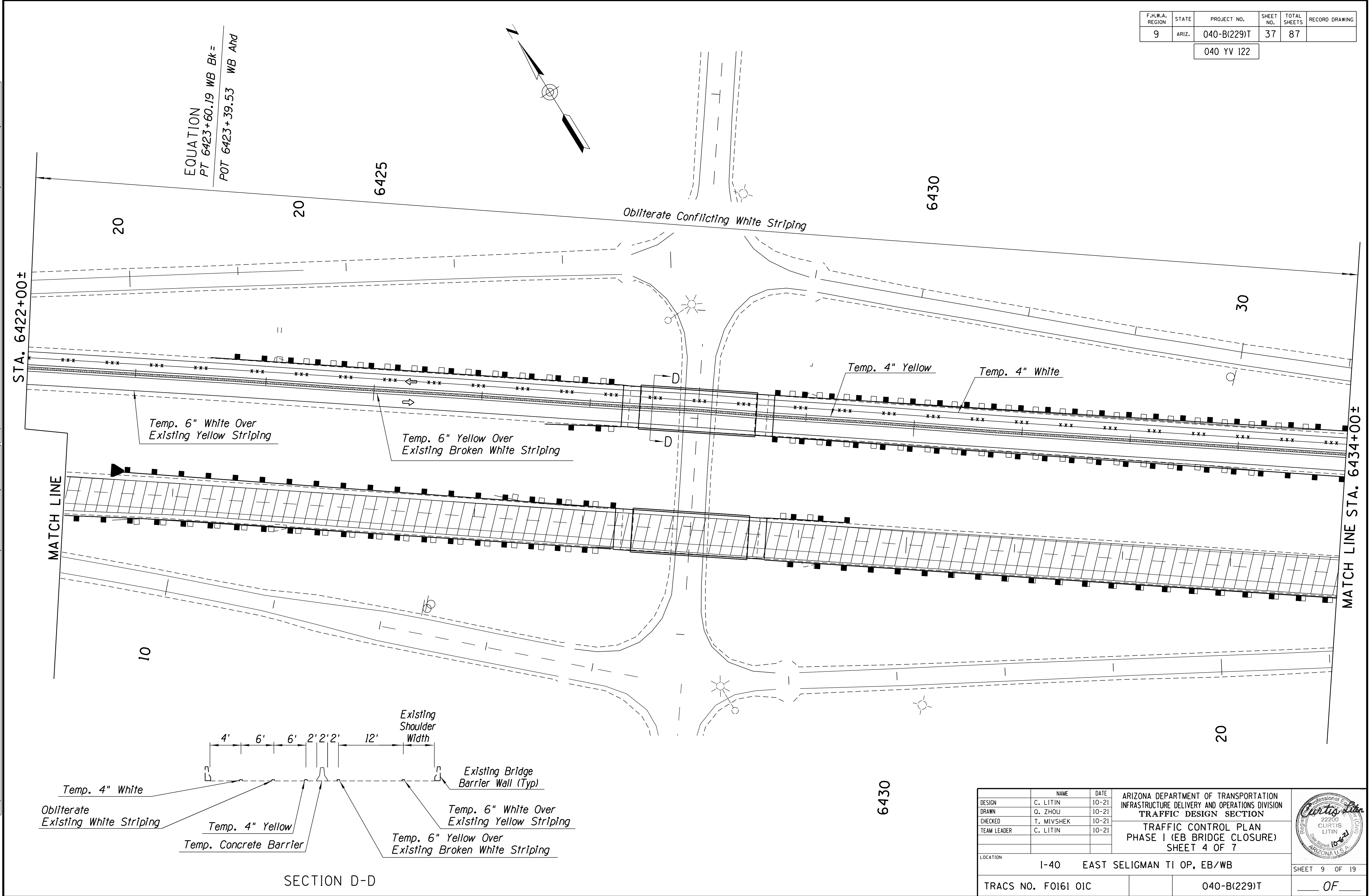
F.H.W.A. REGION	STATE	PROJECT NO.	SHEET NO.	TOTAL SHEETS	RECORD DRAWING
9	ARIZ.	040-B(229)T	37	87	

040 YV 122

EQUATION
PT 6423+60.19 WB Bk =
POT 6423+39.53 WB Ahd



NO.1 DESCRIPTION OF REVISION
MADE BY
DATE
NO.2 DESCRIPTION OF REVISION
MADE BY
DATE



Temp. 6" White Over Existing Yellow Striping

Temp. 6" Yellow Over Existing Broken White Striping

Temp. 4" Yellow

Temp. 4" White

Temp. 4" White
Obliterate Existing White Striping

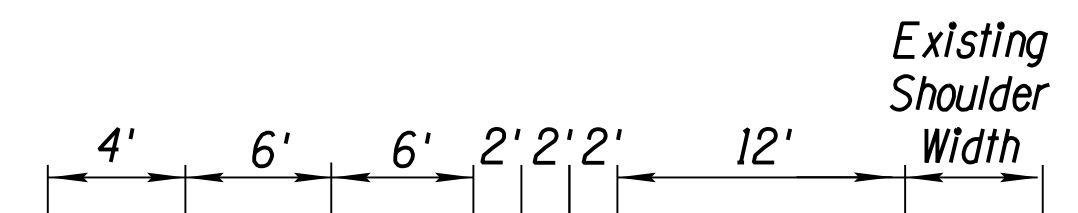
Temp. 4" Yellow
Temp. Concrete Barrier

Existing Bridge Barrier Wall (Typ)

Temp. 6" White Over Existing Yellow Striping

Temp. 6" Yellow Over Existing Broken White Striping

SECTION D-D



DESIGN	C. LITIN	10-21	ARIZONA DEPARTMENT OF TRANSPORTATION INFRASTRUCTURE DELIVERY AND OPERATIONS DIVISION TRAFFIC DESIGN SECTION	
DRAWN	O. ZHOU	10-21		
CHECKED	T. MIVSHEK	10-21		
TEAM LEADER	C. LITIN	10-21		
LOCATION			I-40 EAST SELIGMAN TI OP, EB/WB	22200 CURTIS LITIN 10/6/21 ARIZONA U.S.A.
TRACS NO. F0161 01C		040-B(229)T		SHEET 9 OF 19
				OF

F.H.W.A. REGION	STATE	PROJECT NO.	SHEET NO.	TOTAL SHEETS	RECORD DRAWING
9	ARIZ.	040-B(229)T	38	87	

040 YV 122

6445

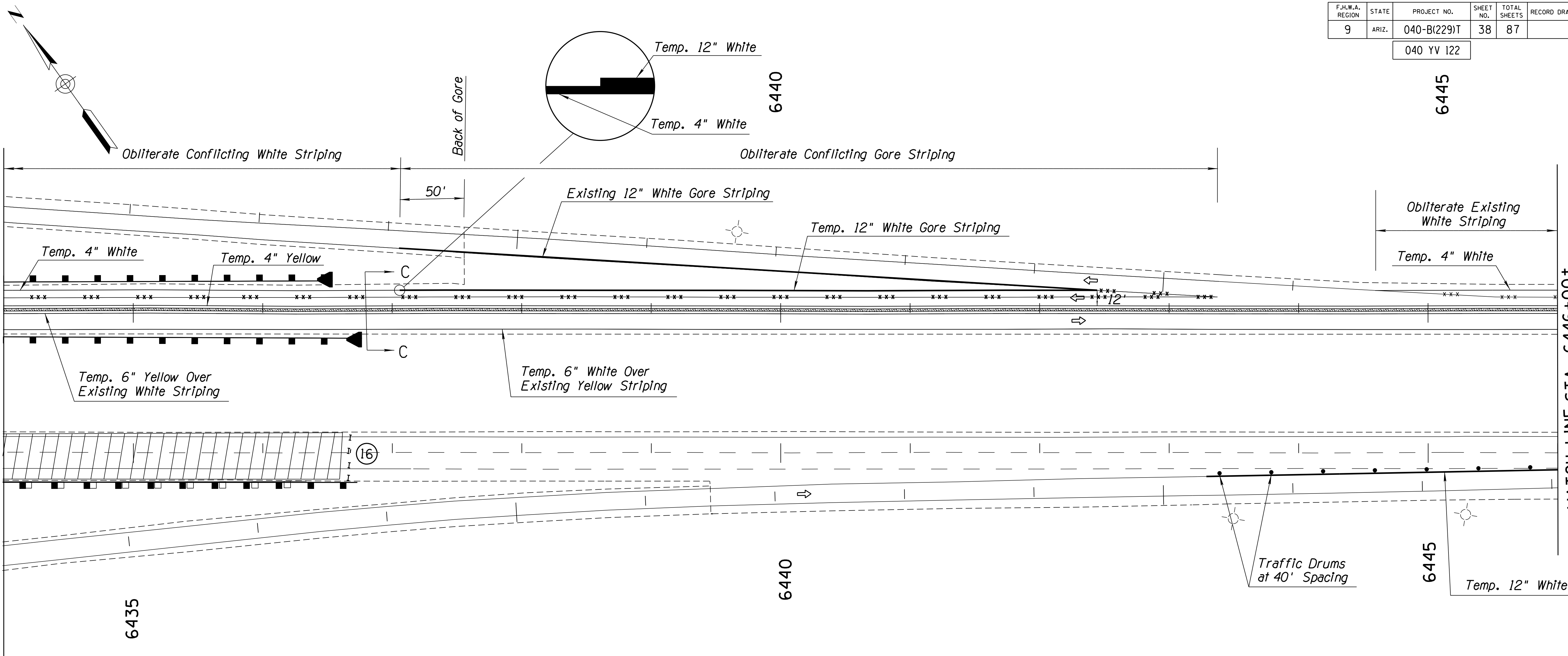
6440

6440

6445

MATCH LINE STA. 6434+00±

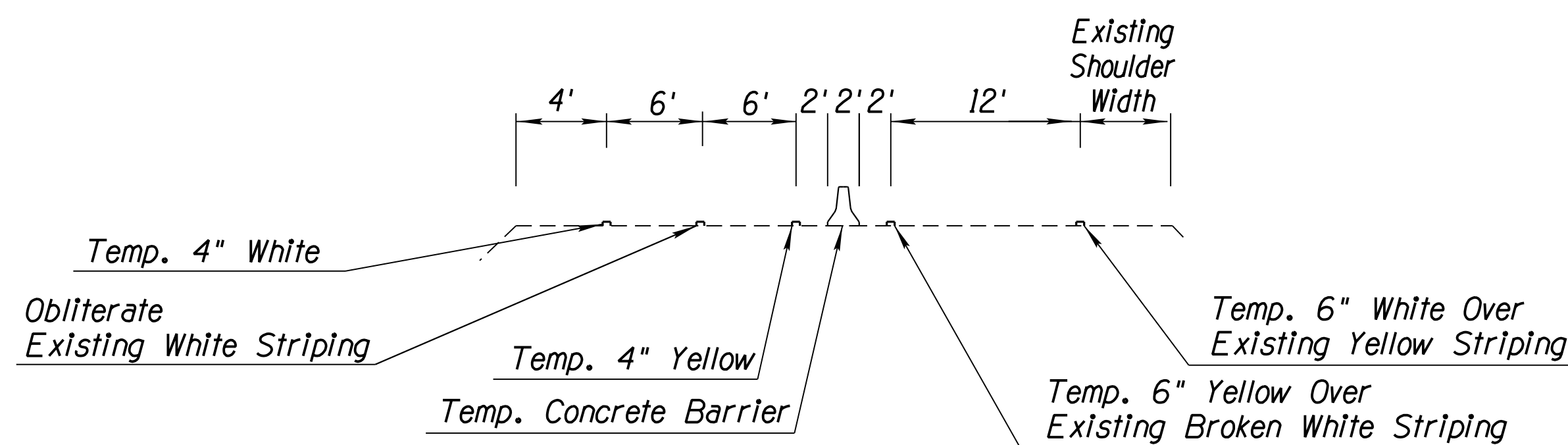
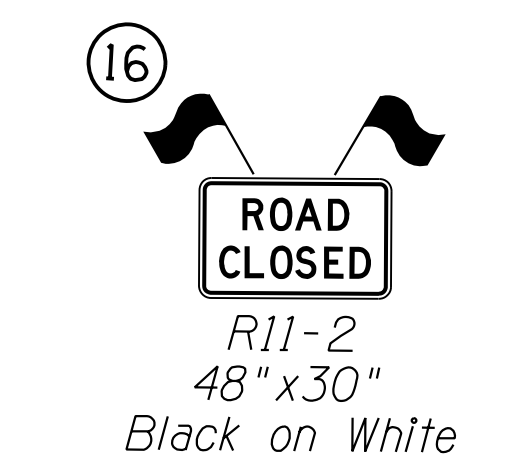
MATCH LINE STA. 6446+00±



SYMBOL LEGEND:

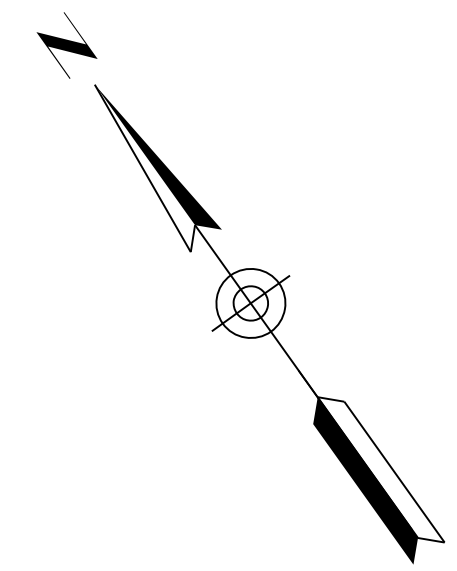
	Sign on Embedded Post(s)
	Sign on Spring Stand
	Traffic Drum
	Type 3 Barricade
	Sign on Type 3 Barricade
	Temporary Concrete Barrier See Std Dwg C-3 for Details.
	Direction of Travel
	Temporary Sand Barrel Crash Cushion
	Stripe Obliteration
	Work Area

SIGN LEGEND:

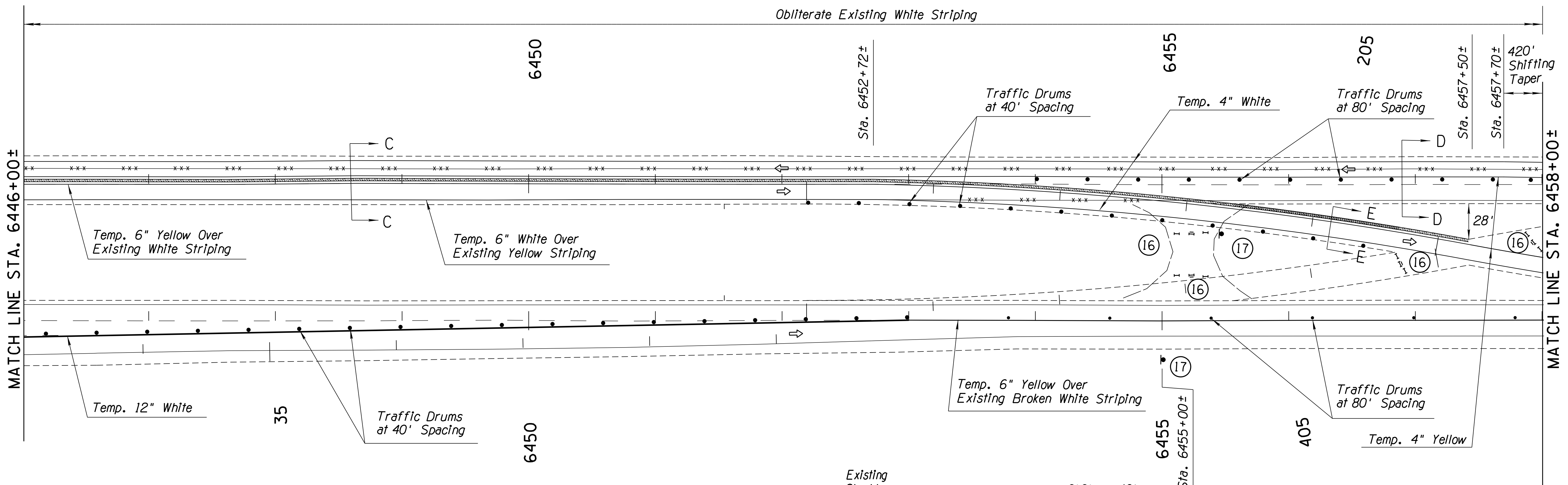


SECTION C-C

DESIGN	C. LITIN	10-21	ARIZONA DEPARTMENT OF TRANSPORTATION INFRASTRUCTURE DELIVERY AND OPERATIONS DIVISION TRAFFIC DESIGN SECTION	
DRAWN	G. ZHOU	10-21		
CHECKED	T. MIVSHEK	10-21		
TEAM LEADER	C. LITIN	10-21		
LOCATION			I-40 EAST SELIGMAN TI OP, EB/WB	SHEET 10 OF 19
TRACS NO. F0161 OIC		040-B(229)T		OF

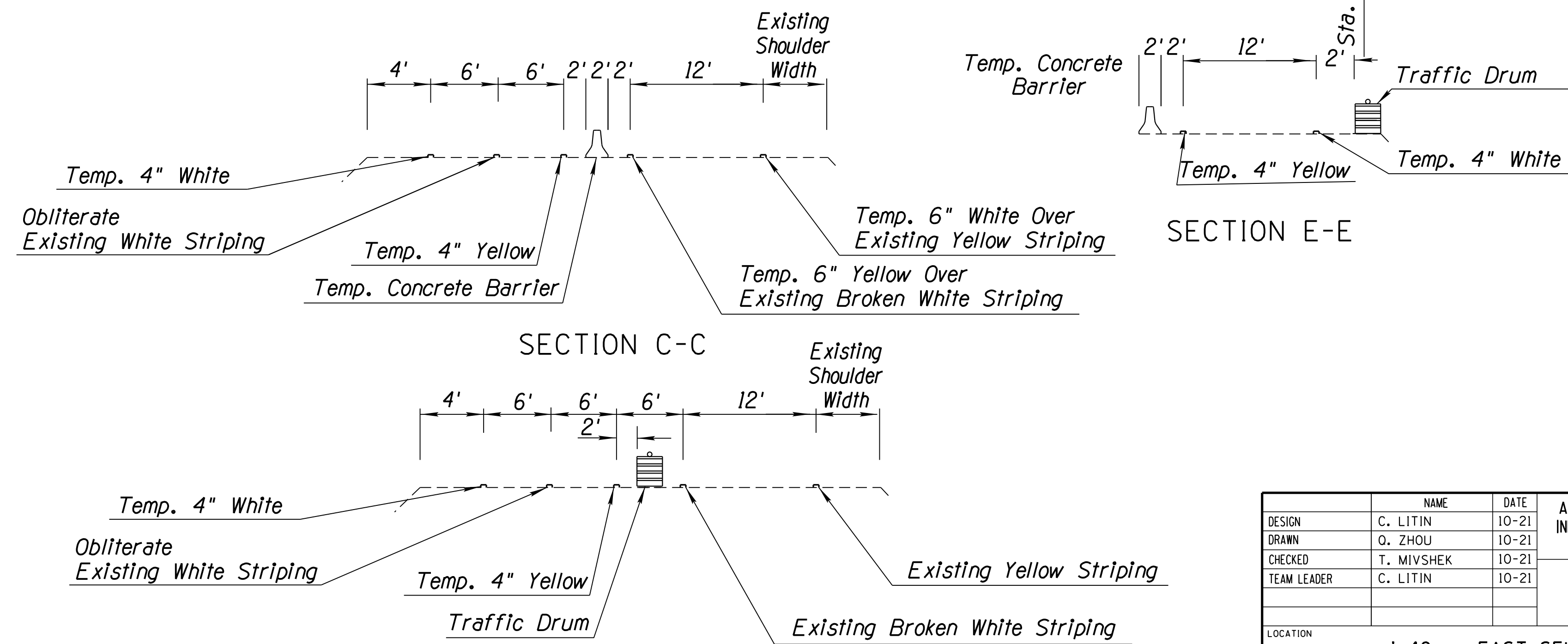


NO. 1 DESCRIPTION OF REVISION
NO. 2 DESCRIPTION OF REVISION
MADE BY
DATE



SYMBOL LEGEND:

	Sign on Embedded Post(s)
	Sign on Spring Stand
	Traffic Drum
	Type 3 Barricade
	Sign on Type 3 Barricade
	Temporary Concrete Barrier See Std Dwg C-3 for Details.
	Direction of Travel
	Temporary Sand Barrel Crash Cushion
	Stripe Obliteration
	Work Area



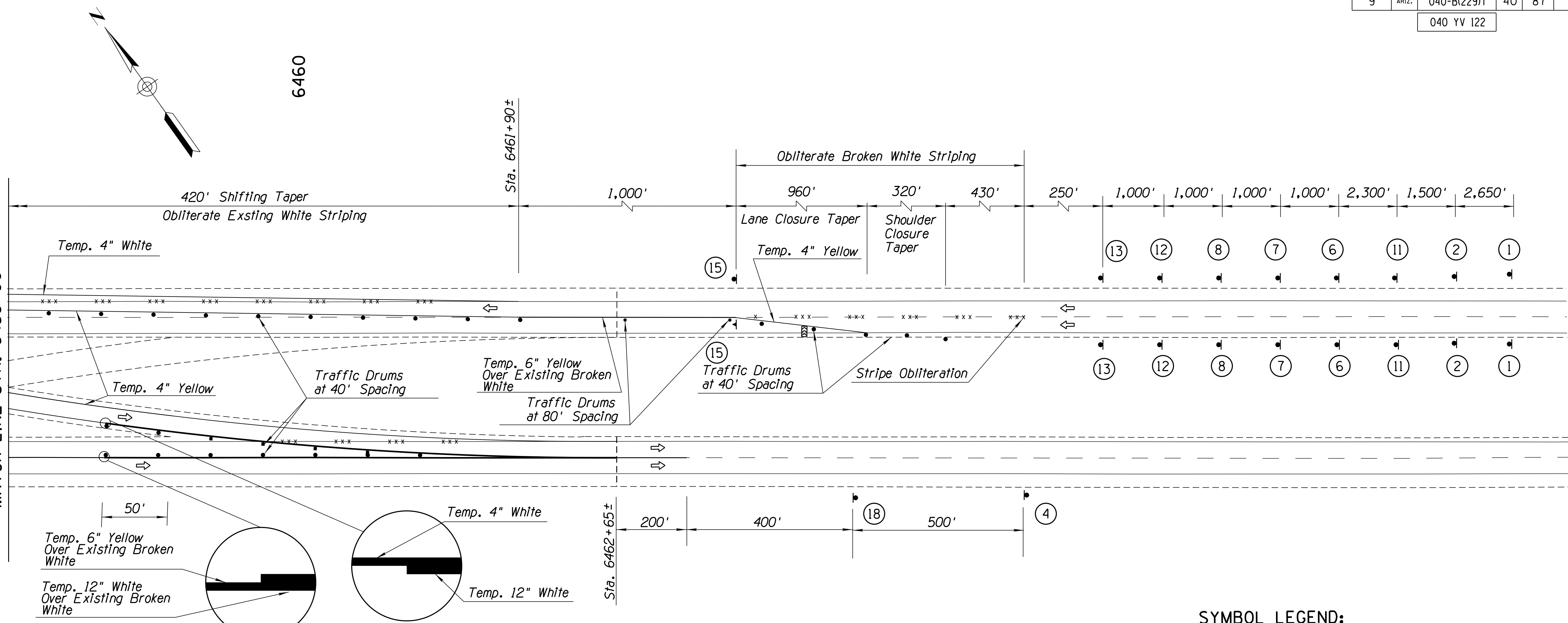
SIGN LEGEND:



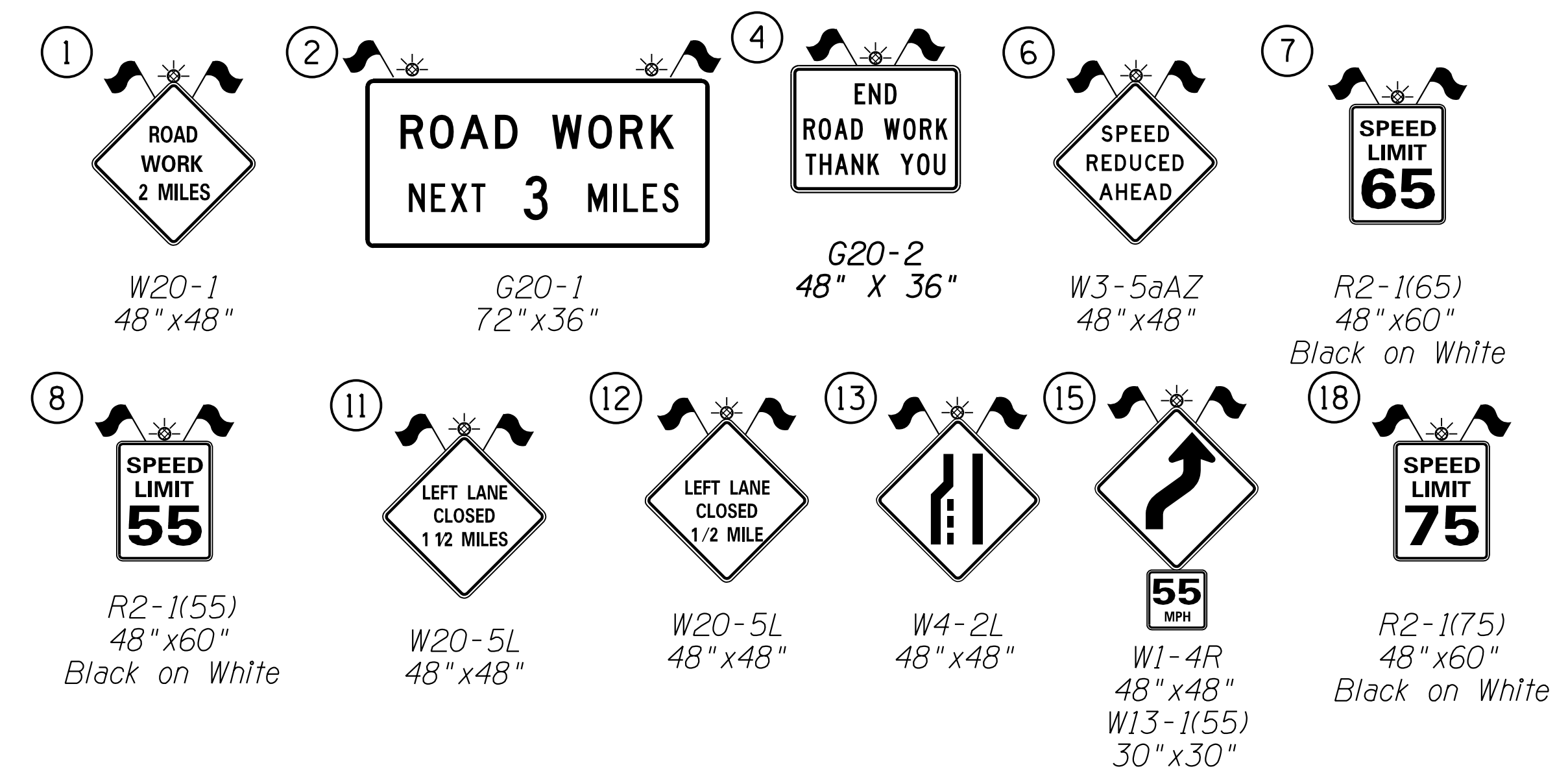
DESIGN	C. LITIN	10-21	ARIZONA DEPARTMENT OF TRANSPORTATION INFRASTRUCTURE DELIVERY AND OPERATIONS DIVISION TRAFFIC DESIGN SECTION	
DRAWN	G. ZHOU	10-21		
CHECKED	T. MIVSHEK	10-21		
TEAM LEADER	C. LITIN	10-21		
LOCATION			I-40 EAST SELIGMAN TI OP, EB/WB	SHEET 11 OF 19
TRACS NO. F0161 01C		040-B(229)T		OF

MADE BY: DATE: NO. 1 DESCRIPTION OF REVISION: NO. 2 DESCRIPTION OF REVISION: DATE: MADE BY: DATE:

MATCH LINE STA. 6458+00±



SIGN LEGEND:



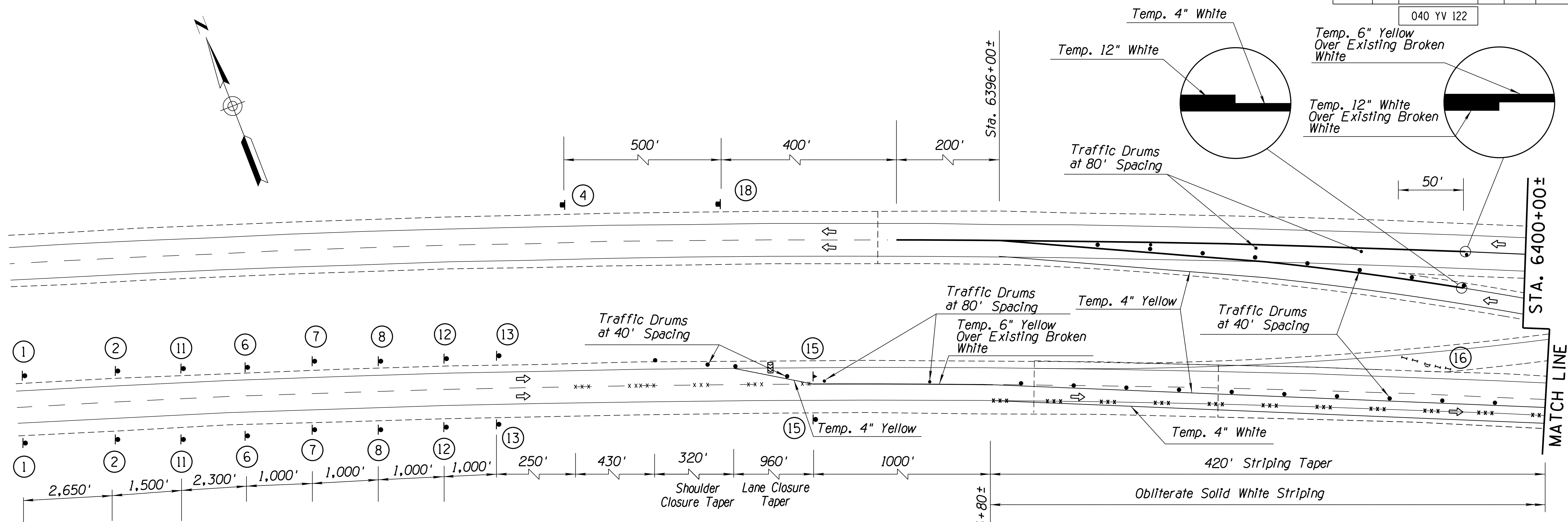
SYMBOL LEGEND:

	Sign on Embedded Post(s)
	Sign on Spring Stand
	Traffic Drum
	Direction of Travel
	Stripe Obliteration
	Work Area

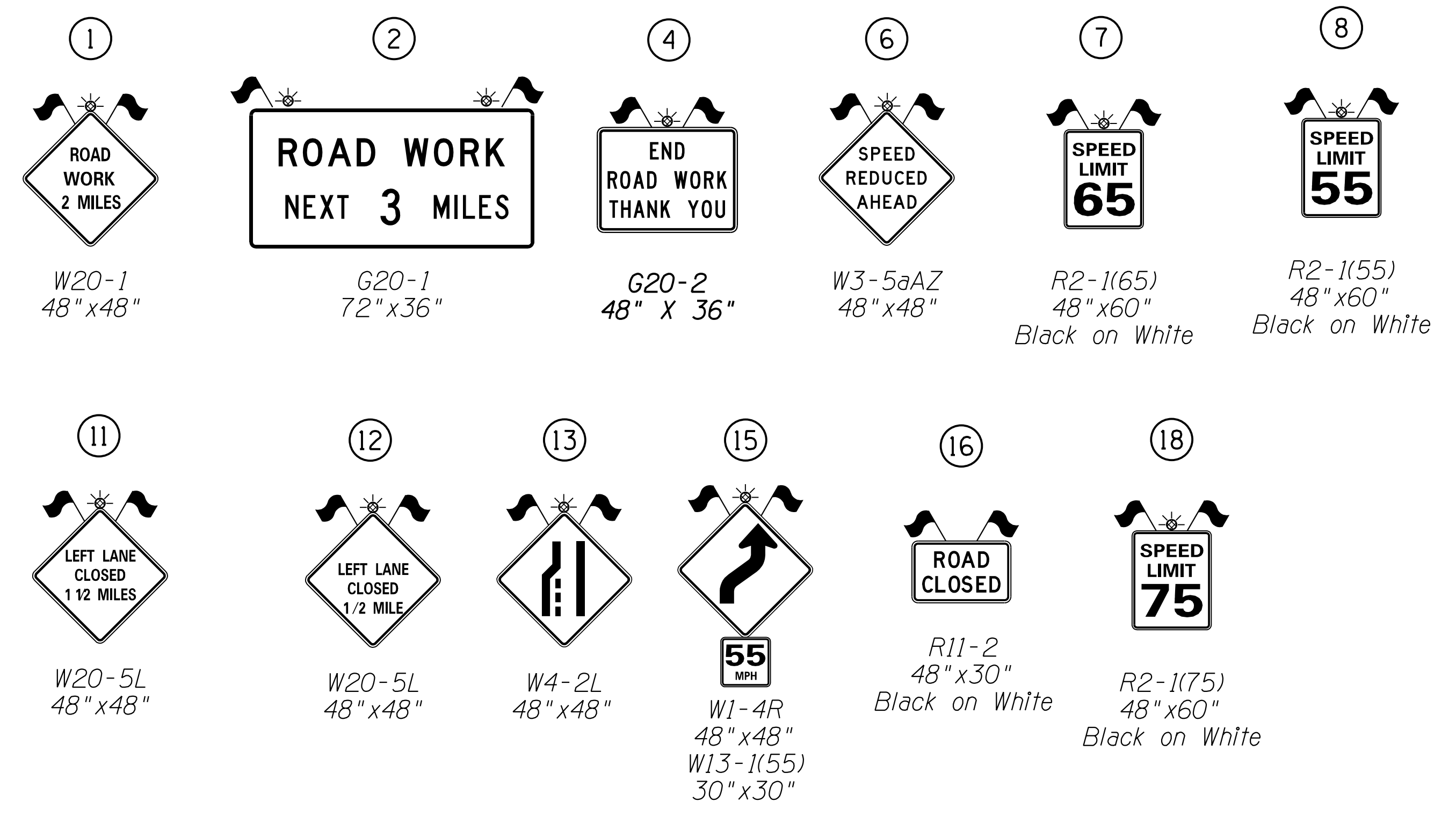
DESIGN	C. LITIN	10-21	ARIZONA DEPARTMENT OF TRANSPORTATION INFRASTRUCTURE DELIVERY AND OPERATIONS DIVISION TRAFFIC DESIGN SECTION	
DRAWN	G. ZHOU	10-21		
CHECKED	T. MIVSHEK	10-21		
TEAM LEADER	C. LITIN	10-21		
TRAFFIC CONTROL PLAN PHASE I (EB BRIDGE CLOSURE) SHEET 7 OF 7				
LOCATION: I-40 EAST SELIGMAN TI OP, EB/WB			SHEET 12 OF 19	
TRACS NO. F0161 01C		040-B(229)T		OF

F.H.W.A. REGION	STATE	PROJECT NO.	SHEET NO.	TOTAL SHEETS	RECORD DRAWING
9	ARIZ.	040-B(229)T	41	87	

040 YV 122



SIGN LEGEND:



SYMBOL LEGEND:

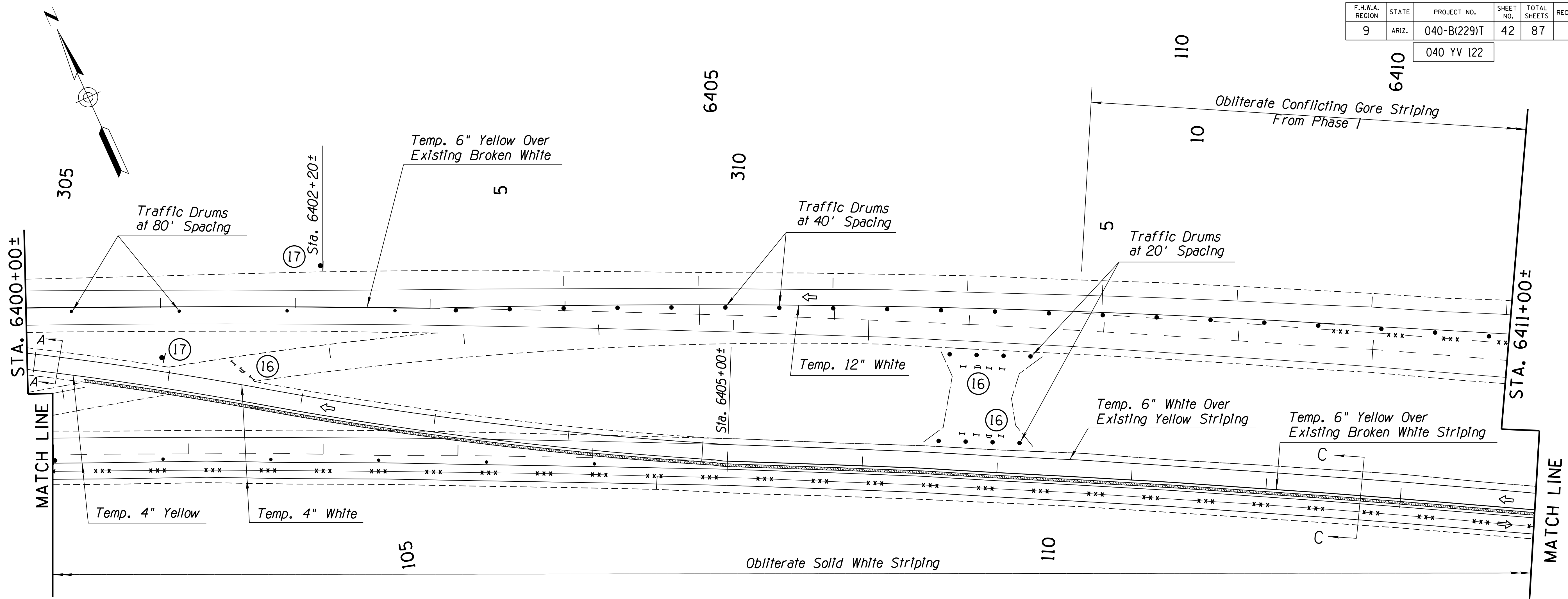
	Sign on Embedded Post(s)
	Sign on Spring Stand
	Traffic Drum
	Type 3 Barricade
	Sign on Type 3 Barricade
	Direction of Travel
	Flashing Arrow Panel
	Temporary Sand Barrel Crash Cushion
	Stripe Obliteration
	Work Area

DESIGN	C. LITIN	10-21	ARIZONA DEPARTMENT OF TRANSPORTATION INFRASTRUCTURE DELIVERY AND OPERATIONS DIVISION TRAFFIC DESIGN SECTION TRAFFIC CONTROL PLAN PHASE II (WB BRIDGE CLOSURE) SHEET 1 OF 7
DRAWN	G. ZHOU	10-21	
CHECKED	T. MIVSHEK	10-21	
TEAM LEADER	C. LITIN	10-21	
LOCATION	I-40 EAST SELIGMAN TI OP, EB/WB		
TRACS NO.	F0161 OIC	040-B(229)T	SHEET 13 OF 19



F.H.W.A. REGION	STATE	PROJECT NO.	SHEET NO.	TOTAL SHEETS	RECORD DRAWING
9	ARIZ.	040-B(229)T	42	87	

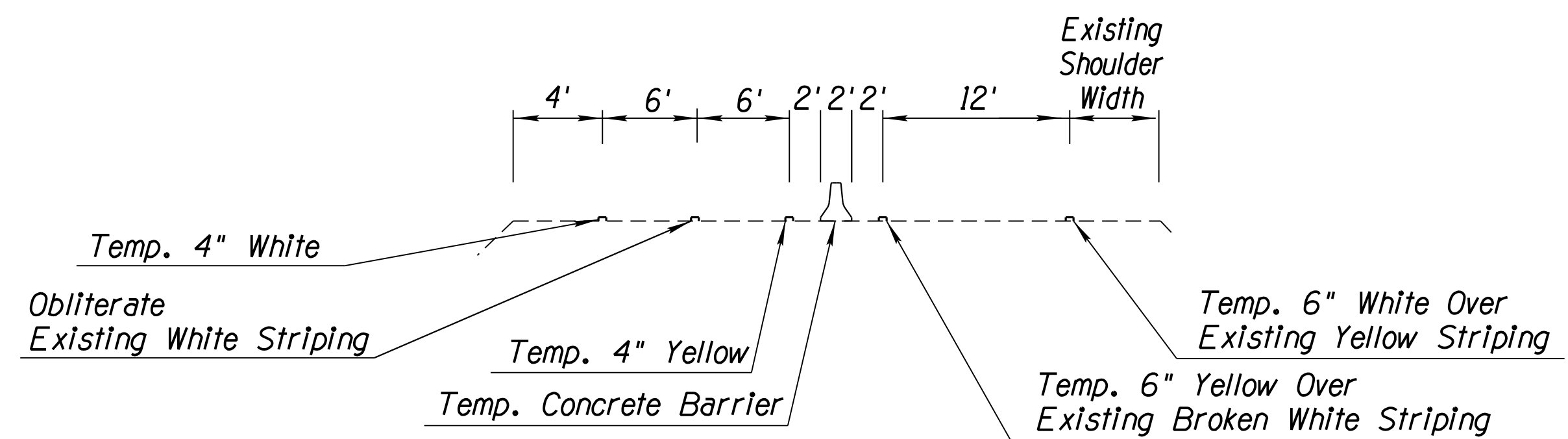
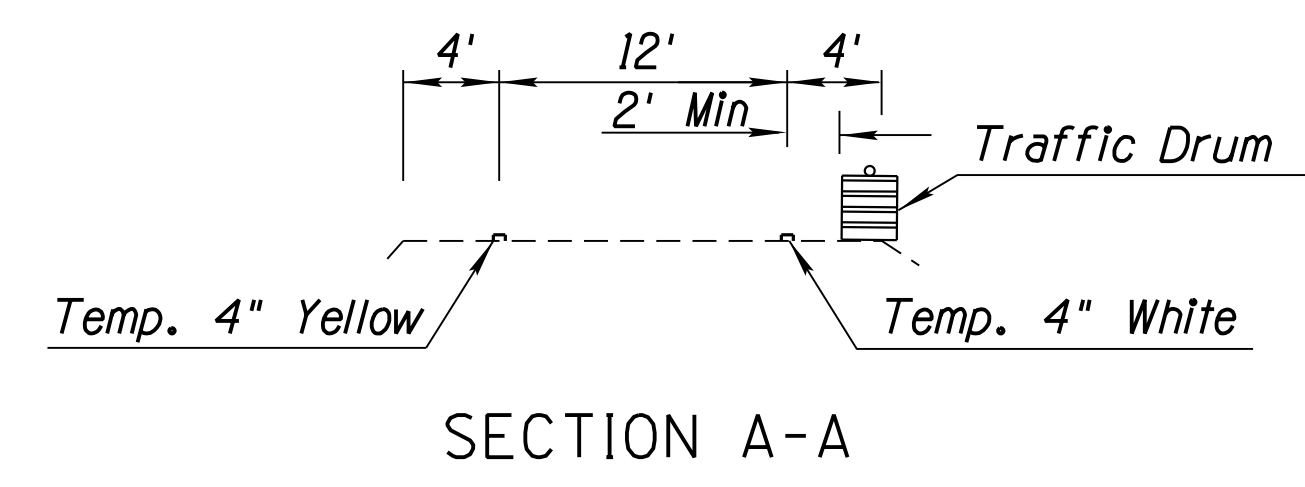
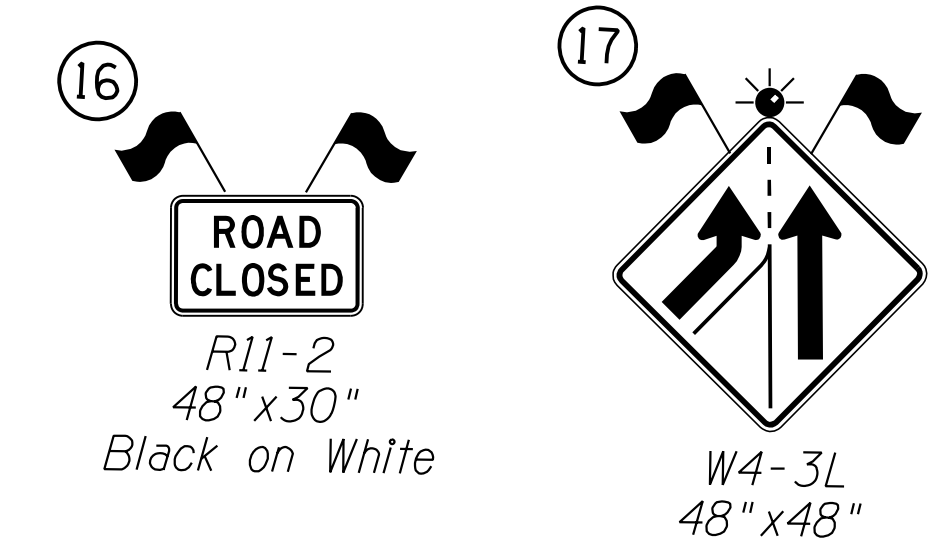
040 YV 122



SYMBOL LEGEND:

	Sign on Embedded Post(s)
	Type II Barricade
	Traffic Drum
	Type 3 Barricade
	Sign on Type 3 Barricade
	Temporary Concrete Barrier See Std Dwg C-3 for Details.
	Direction of Travel
	Temporary Sand Barrel Crash Cushion
	Stripe Obliteration
	Work Area

SIGN LEGEND:



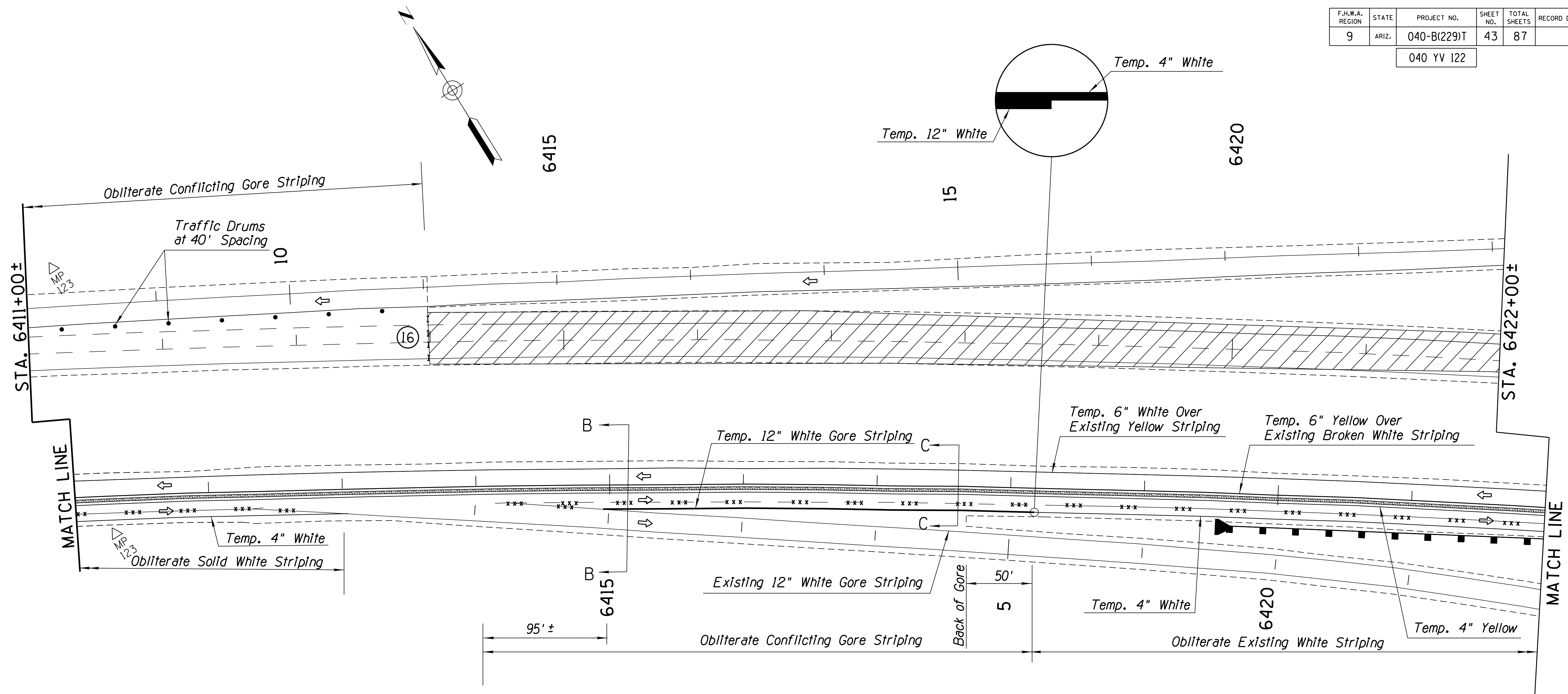
DESIGN	C. LITIN	10-21	ARIZONA DEPARTMENT OF TRANSPORTATION INFRASTRUCTURE DELIVERY AND OPERATIONS DIVISION TRAFFIC DESIGN SECTION
DRAWN	G. ZHOU	10-21	
CHECKED	T. MIVSHEK	10-21	
TEAM LEADER	C. LITIN	10-21	
LOCATION			I-40 EAST SELIGMAN TI OP, EB/WB
TRACS NO. F0161 01C			040-B(229)T



SHEET 14 OF 19

F.H.W.A. REGION	STATE	PROJECT NO.	SHEET NO.	TOTAL SHEETS	RECORD DRAWING
9	ARIZ.	040-B(229)T	43	87	

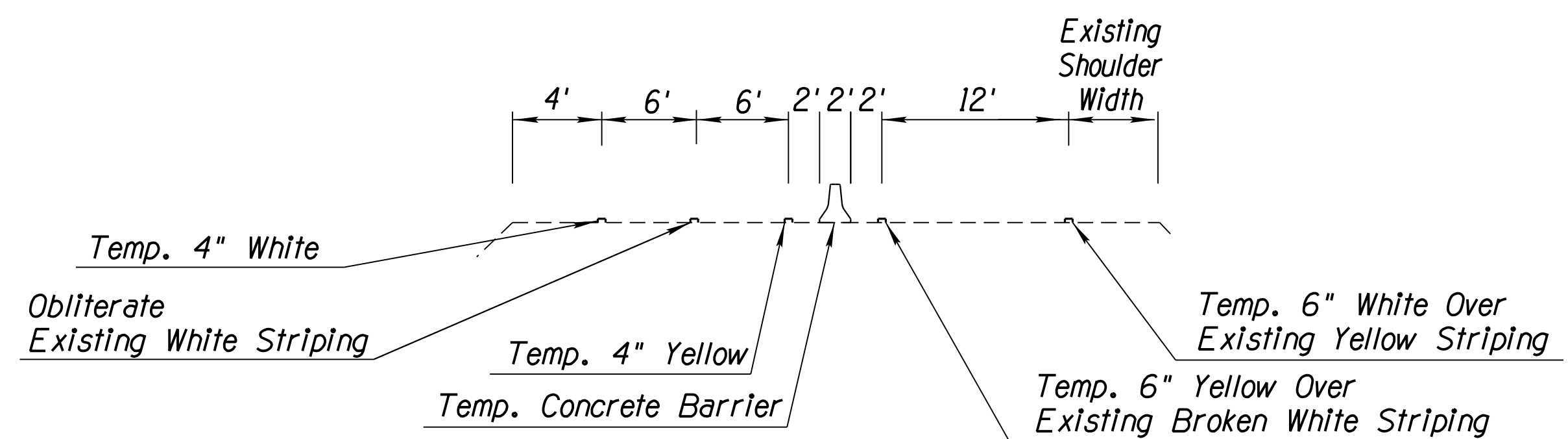
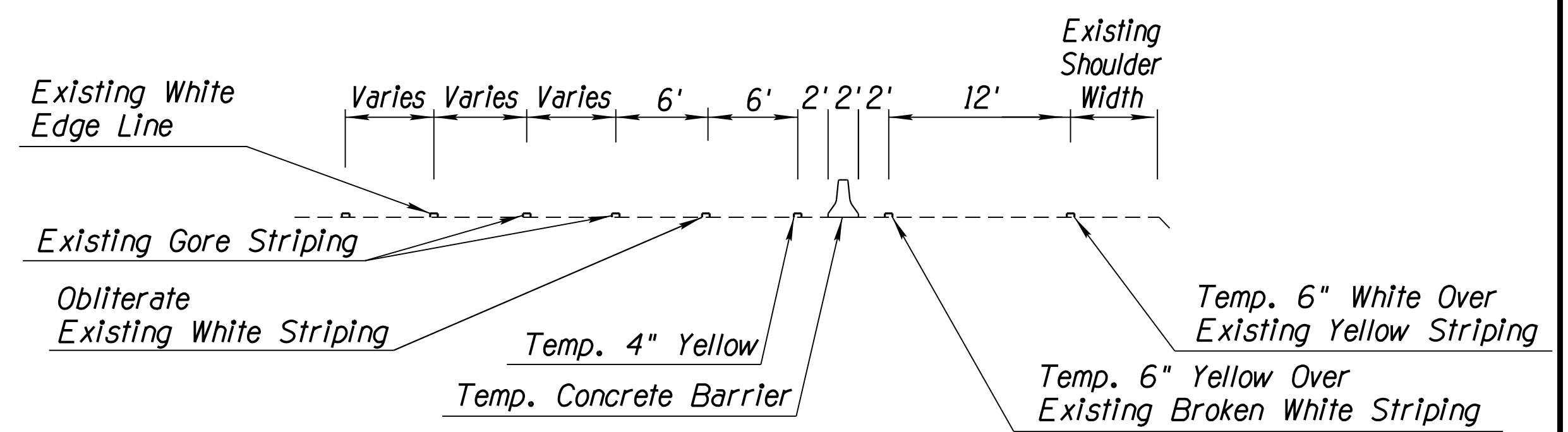
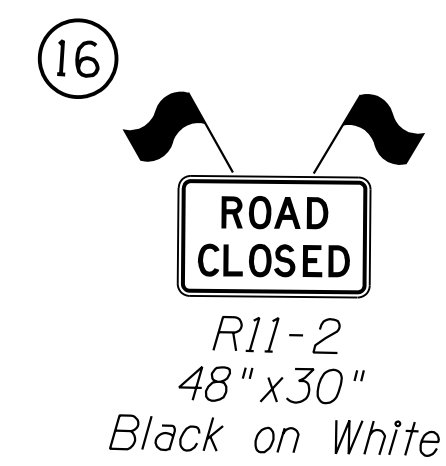
040 YV 122



SYMBOL LEGEND:

	Sign on Embedded Post(s)
	Traffic Drum
	Type 3 Barricade
	Sign on Type 3 Barricade
	Temporary Concrete Barrier See Std Dwg C-3 for Details.
	Direction of Travel
	Temporary Sand Barrel Crash Cushion
	Stripe Obliteration
	Work Area

SIGN LEGEND:



SECTION B-B

SECTION C-C

DESIGN	C. LITIN	10-21	ARIZONA DEPARTMENT OF TRANSPORTATION INFRASTRUCTURE DELIVERY AND OPERATIONS DIVISION TRAFFIC DESIGN SECTION
DRAWN	G. ZHOU	10-21	
CHECKED	T. MIVSHEK	10-21	
TEAM LEADER	C. LITIN	10-21	
LOCATION			I-40 EAST SELIGMAN TI OP, EB/WB
TRACS NO. F0161 01C		040-B(229)T	

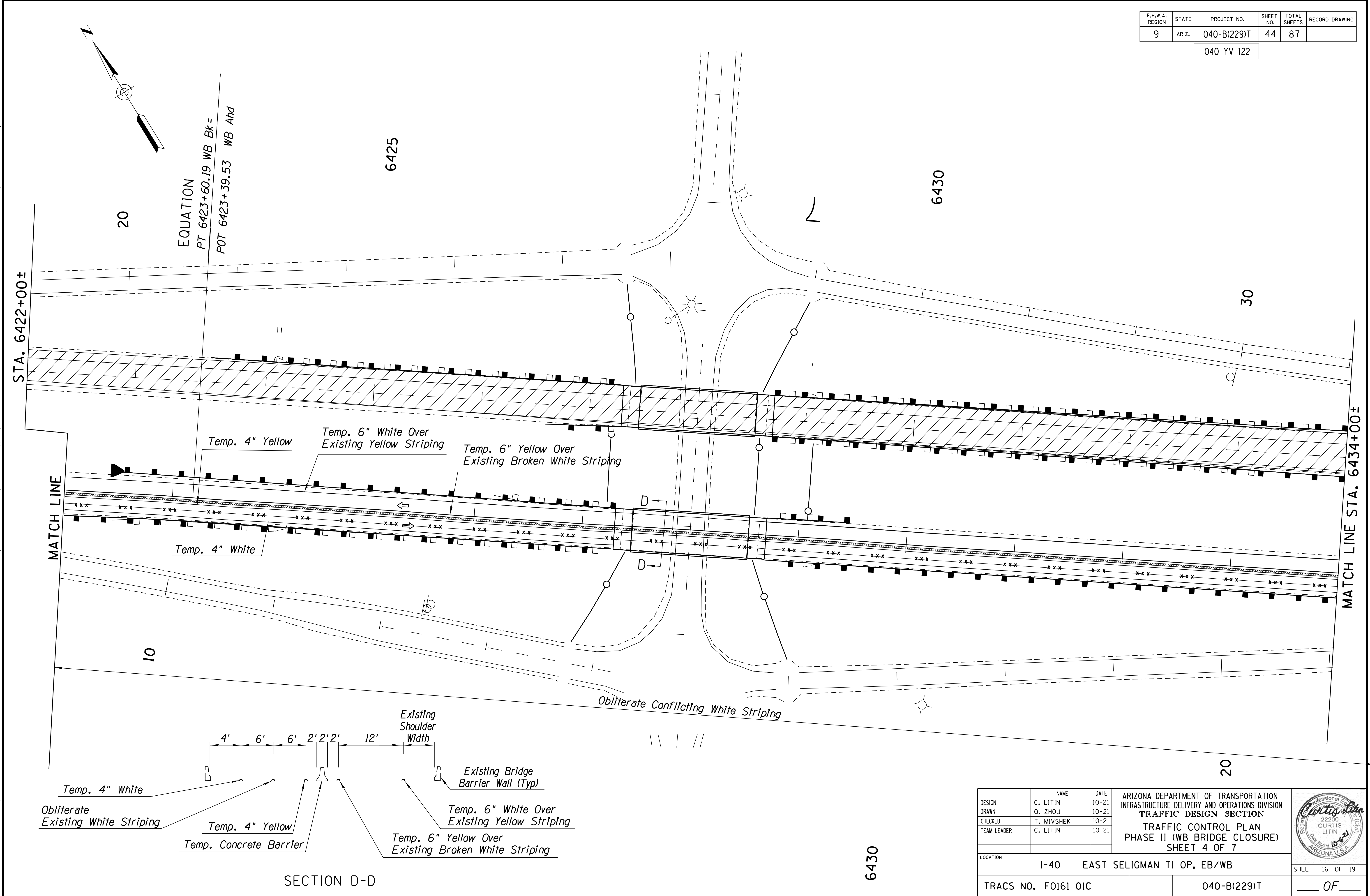


SHEET 15 OF 19

OF

F.H.W.A. REGION	STATE	PROJECT NO.	SHEET NO.	TOTAL SHEETS	RECORD DRAWING
9	ARIZ.	040-B(229)T	44	87	

040 YV 122



EQUATION
PT 6423+60.19 WB Bk =
POT 6423+39.53 WB Ahd

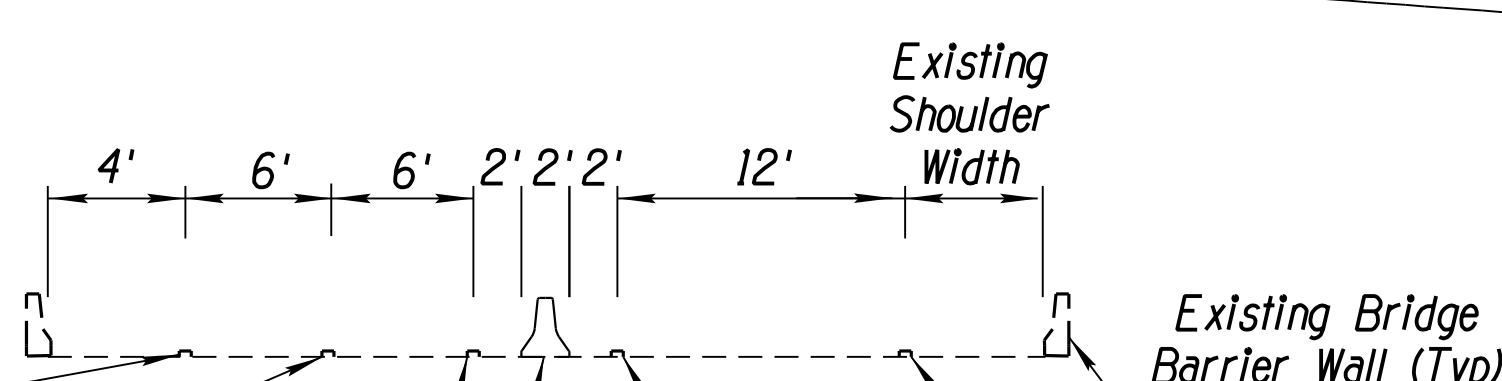
STA. 6422+00±

MATCH LINE STA. 6434+00±

Temp. 4" Yellow
Temp. 6" White Over Existing Yellow Striping
Temp. 6" Yellow Over Existing Broken White Striping

Temp. 4" White

Obliterate Conflicting White Striping



Temp. 4" White
Obliterate Existing White Striping
Temp. 4" Yellow
Temp. Concrete Barrier
Temp. 6" White Over Existing Yellow Striping
Temp. 6" Yellow Over Existing Broken White Striping

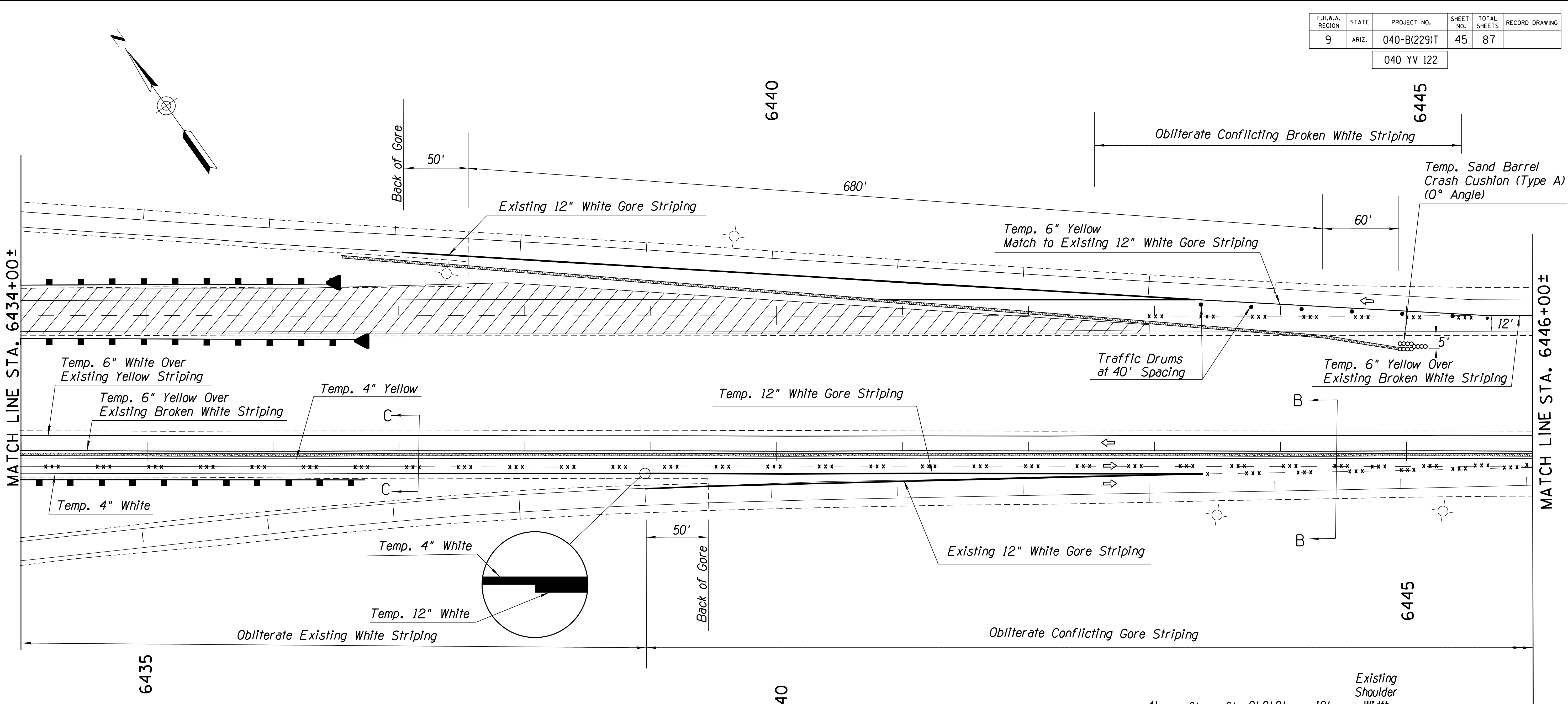
SECTION D-D

DESIGN	C. LITIN	10-21	ARIZONA DEPARTMENT OF TRANSPORTATION INFRASTRUCTURE DELIVERY AND OPERATIONS DIVISION TRAFFIC DESIGN SECTION	
DRAWN	O. ZHOU	10-21		
CHECKED	T. MIVSHEK	10-21		
TEAM LEADER	C. LITIN	10-21		
LOCATION			I-40 EAST SELIGMAN TI OP, EB/WB	SHEET 16 OF 19
TRACS NO. F0161 OIC		040-B(229)T		OF

NO. 1 DESCRIPTION OF REVISION
NO. 2 DESCRIPTION OF REVISION
MADE BY
DATE
MADE BY
DATE
MADE BY
DATE

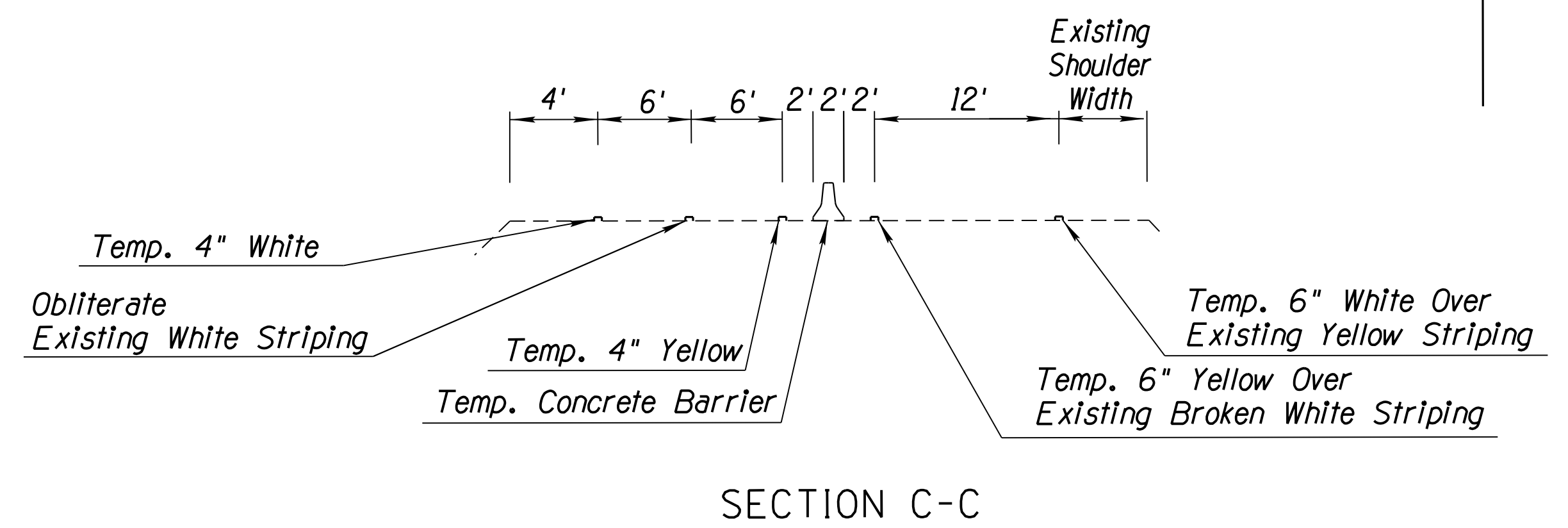
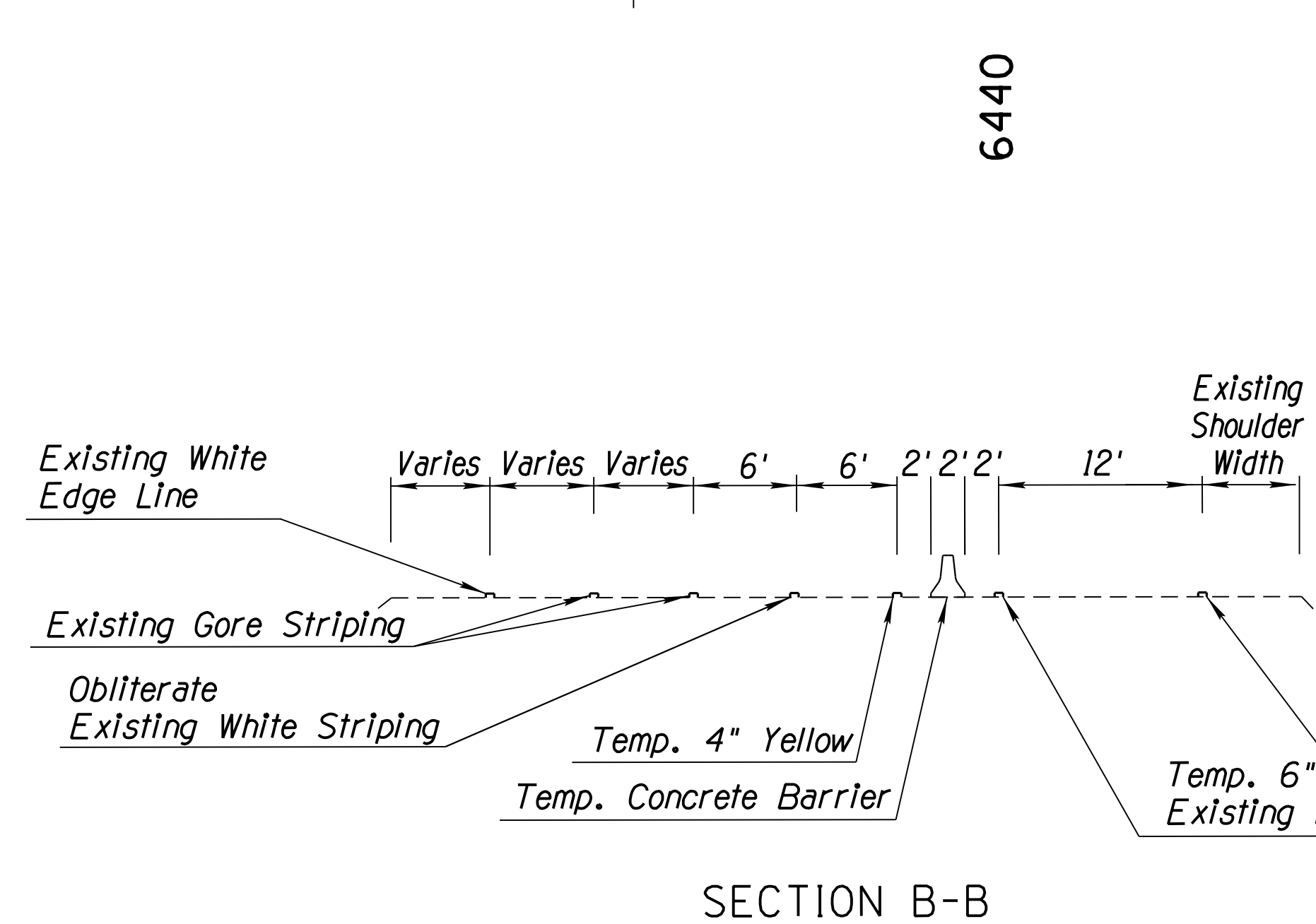
F.H.W.A. REGION	STATE	PROJECT NO.	SHEET NO.	TOTAL SHEETS	RECORD DRAWING
9	ARIZ.	040-B(229)T	45	87	

040 YV 122



SYMBOL LEGEND:

	Sign on Embedded Post(s)
	Traffic Drum
	Type 3 Barricade
	Sign on Type 3 Barricade
	Temporary Concrete Barrier See Std Dwg C-3 for Details.
	Direction of Travel
	Temporary Sand Barrel Crash Cushion
	Stripe Obliteration
	Work Area



DESIGN	C. LITIN	10-21	ARIZONA DEPARTMENT OF TRANSPORTATION INFRASTRUCTURE DELIVERY AND OPERATIONS DIVISION TRAFFIC DESIGN SECTION
DRAWN	G. ZHOU	10-21	
CHECKED	T. MIVSHEK	10-21	
TEAM LEADER	C. LITIN	10-21	
LOCATION			I-40 EAST SELIGMAN TI OP, EB/WB
TRACS NO. F0161 OIC		040-B(229)T	

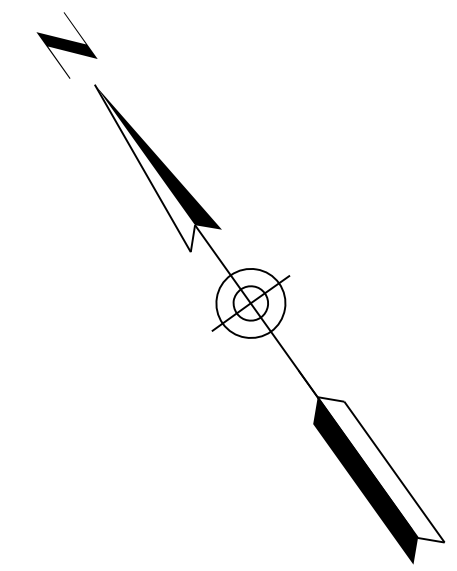


SHEET 17 OF 19

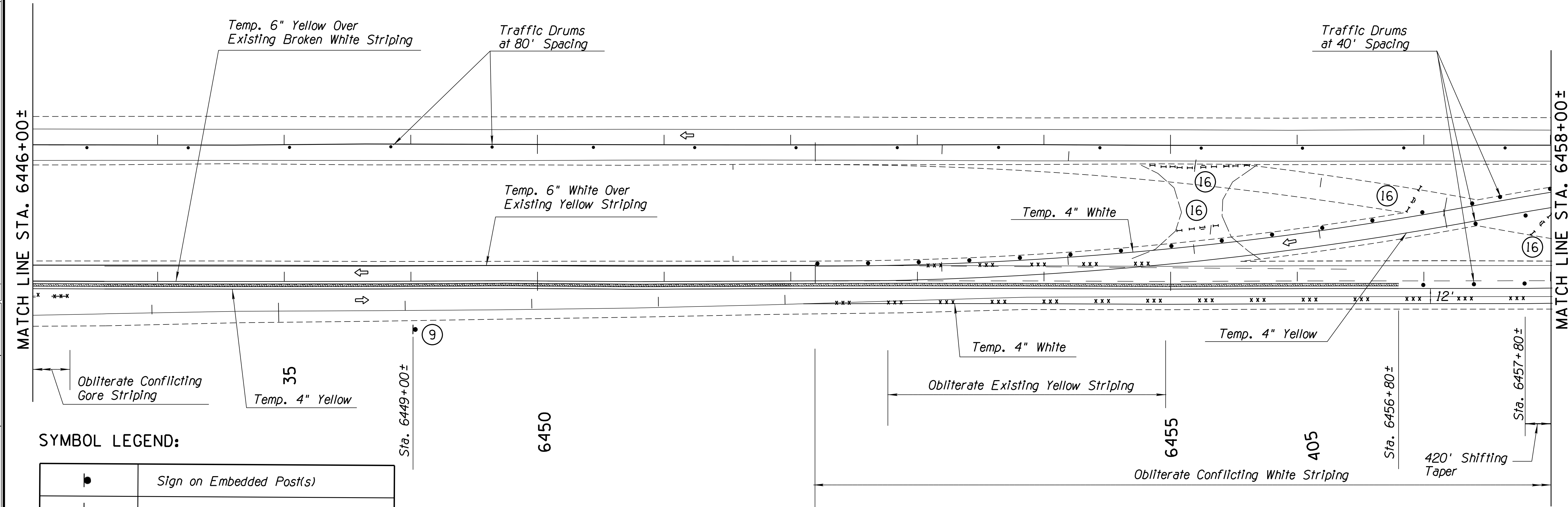
OF

F.H.W.A. REGION	STATE	PROJECT NO.	SHEET NO.	TOTAL SHEETS	RECORD DRAWING
9	ARIZ.	040-B(229)T	46	87	

040 YV 122



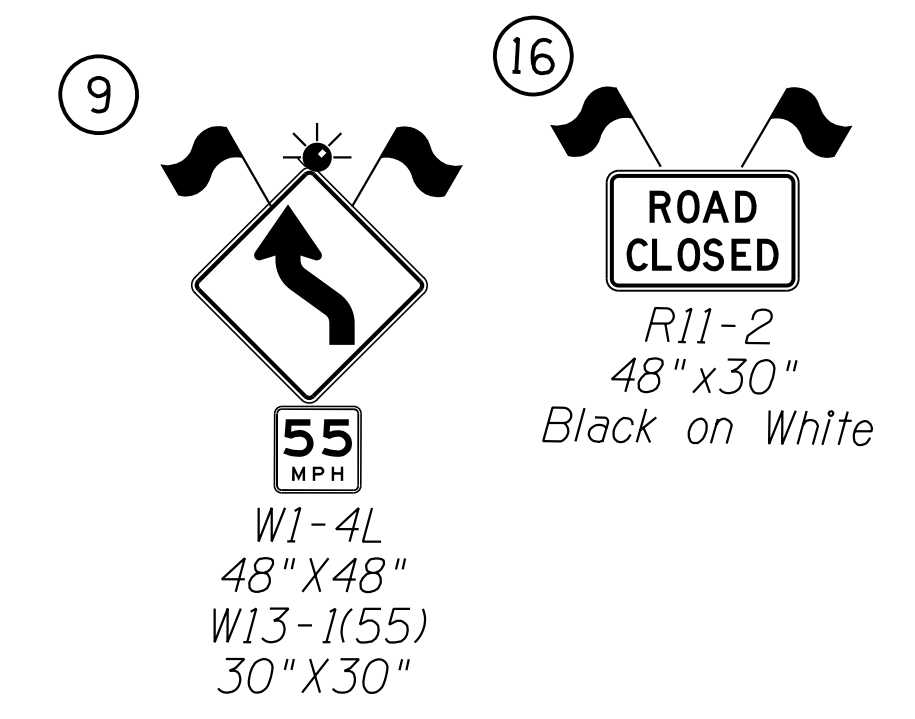
NO. 1 DESCRIPTION OF REVISION
NO. 2 DESCRIPTION OF REVISION
MADE BY
DATE
MADE BY
DATE
NO. 1 DESCRIPTION OF REVISION
NO. 2 DESCRIPTION OF REVISION
MADE BY
DATE
MADE BY
DATE



SYMBOL LEGEND:

	Sign on Embedded Post(s)
	Sign on Spring Stand
	Traffic Drum
	Type 3 Barricade
	Sign on Type 3 Barricade
	Temporary Concrete Barrier See Std Dwg C-3 for Details.
	Direction of Travel
	Temporary Sand Barrel Crash Cushion
	Stripe Obliteration
	Work Area

SIGN LEGEND:



DESIGN	C. LITIN	10-21	ARIZONA DEPARTMENT OF TRANSPORTATION INFRASTRUCTURE DELIVERY AND OPERATIONS DIVISION TRAFFIC DESIGN SECTION
DRAWN	G. ZHOU	10-21	
CHECKED	T. MIVSHEK	10-21	
TEAM LEADER	C. LITIN	10-21	
LOCATION			I-40 EAST SELIGMAN TI OP, EB/WB
TRACS NO. F0161 OIC		040-B(229)T	



PAVEMENT MARKING NOTES:

1. It is the Contractor's responsibility to ensure that the final surface course is placed so that the striping is offset 1 foot clear of the construction joint, unless otherwise directed by the Engineer.
2. The Contractor shall be responsible for the layout and installation of pavement markings on the final surface course following points that have been set no more than 50 feet apart on the alignment of the yellow striping.
3. The final striping shall be 25 mil (0.025 inch) thick dual component epoxy pavement markings extruded placed over the existing striping or over locations where striping has been obliterated. All other markings shall be applied within one week of the placement of the epoxy striping.
4. The Contractor shall clean the roadway and bridge deck surfaces to the satisfaction of the Engineer, by sweeping and air-jet blowing, immediately prior to the placement of all pavement markings. The roadway surface shall be dry. The pavement temperature shall not be less than 40° F and the air temperature wind chill factor shall not be less than 35°F for the placement of epoxy pavement markings.
5. The Contractor shall remove the curing compound before installing the final striping on the new bridge decks and approach slabs for a width of 10 inches per line of striping in accordance with the special provisions.
6. The Contractor shall install ground-in rumble strips along the I-40 shoulders in new pavement and at crossover locations where there are no existing rumble strips on those shoulders in accordance with Std. Dwg. M-22. The Contractor shall not install the ground-in rumble strips on the bridge decks and approach slabs.
7. When stripe obliteration is necessary, it shall be accomplished by approved methods. Painting over striping, removal of pavement or bridge deck/slabs, and overlaying pavement do not constitute stripe obliteration.
8. The pavement marking drawings are schematic only and not to scale. The Contractor shall follow all dimensions and details when installing pavement markings.
9. The Contractor shall delineate the new ends of the guardrail in accordance with Std. Dwg. M-34. There shall be no measurement or payment for the guardrail end treatment delineation as the cost is included in other contract bid items.
10. The Contractor shall install FIG (single green) and F2G (double green) flexible delineators by guardrail in accordance with Std. Dwg. M-26. Each of these delineators shall consist of a two-piece or three-piece flexible delineator assembly with a concrete anchor foundation. The reflective sheeting on the delineator assemblies shall meet the criteria established for Type VIII, IX, or XI sheeting in accordance with ASTM D4956.
11. While the Contractor is not working between seasons/phases, the Contractor shall install yellow surface-mounted delineators across the I-40 accesses to the detours. The Contractor shall place five surface-mounted delineators, spaced 20 - 25 ft. apart, across each access, about 5 ft. from the median edge of pavement. These delineators shall meet the requirements of the preceding note except they shall be surface-mounted instead of having concrete foundations. When no longer needed, the Contractor shall remove them from the project site. While the Contractor is on site, during the construction seasons, the Contractor shall close off the detours not in use with temporary traffic control devices.
12. The Contractor shall install new F4GS delineators on the I-40 bridges over B-40 after the new construction at each bridge in accordance with Std. Dwg. M-26 and the special provisions. These delineators shall meet the requirements of note 10, but there will be no concrete foundations.


13. The Contractor shall delineate the new barrier walls with BM-1 (white) and BM-2 (yellow) barrier markers in accordance with Std. Dwgs. M-32 and M-33. The Contractor shall affix evenly-spaced BM-1 (non-median side) and BM-2 (median side) barrier markers on the top of each new barrier wall. There shall be no measurement or payment for the barrier markers as the cost is included in other contract bid items.
14. The Contractor shall remove the existing pavement markers on WB and EB I-40 in conjunction with the construction operations. There shall be no measurement or payment for the removal of the existing pavement markings as the cost is included in other contract bid items.
15. Unless otherwise approved by the Engineer, the Contractor shall not install ground-in rumble strips in either I-40 roadway until roadway and bridge work for both roadways is complete. The Engineer may direct the Contractor to place rumble strips at the end of the first phase of the I-40 roadway and bridge work. The Contractor shall stripe both roadways with one application of Type II waterborne pavement marking paint at the end of the first phase of the I-40 roadway and bridge work.
16. The Engineer may modify the pavement marking plans.

SIGNING NOTES:

1. All signs shall be in compliance with the Manual on Uniform Traffic Control Devices (MUTCD), the ADOT Signing and Marking Standard Drawings, and the Traffic Engineering Manual of Approved Signs.
2. The sign locations and the post lengths are approximate. The Contractor shall verify the sign locations and actual post lengths with the Engineer prior to installing signs.
3. The bottom of each sign shall be at least 7 feet above the nearest edge of pavement and at least 7 feet above the ground under the sign.
4. The Contractor shall install the new signs so the nearest edge or corner of each sign is offset 12 feet from the edge of pavement, 6 feet behind guardrail, or as indicated.
5. All new signs shall be fabricated of flat sheet aluminum as indicated in Section 608.
6. The retroreflective sheeting on the new signs and guardrail end treatments shall meet the criteria established for Type XI sheeting - Type IX or XI sheeting for the guide signs - in accordance with ASTM D4956.
7. New ground-mounted signs shall be installed on new square tube posts with foundations and horizontal stringers in accordance with Std. Dwg. S-3.
8. All bolts used to install signing shall have hex heads, not slotted heads, and shall not be painted.
9. The Contractor shall use only zinc plated steel washers, not nylon washers, between each bolt head and the face of the sign panel. The washers shall not be painted.
10. Shop drawings will be required.
11. The Engineer may modify the signing plans.

APPROXIMATE PAVEMENT MARKING QUANTITIES			
ITEM	UNIT	QUANTITIES	
Type I Waterborne Pavement Marking Paint	4" White	L.F.	19,200
	4" Yellow	L.F.	13,500
Dual Component Pavement Marking (Epoxy)	4" White	L.F.	23,300
	4" Yellow	L.F.	20,200
Remove Curing Compound	L.F.		2,100
Delineator (Std. Dwg. M-26)	FIG	Each	4
	F2G	Each	4
	F4GS	Each	16
	Yellow Surface-Mounted	Each	40
Ground-In Rumble Strips (12 inch) (Std. Dwg. M-22)	L.F.		15,100

Striping quantities reflect 4" equivalents.

DESIGN	C. LITIN	10-21	ARIZONA DEPARTMENT OF TRANSPORTATION INFRASTRUCTURE DELIVERY AND OPERATIONS DIVISION TRAFFIC DESIGN SECTION	
DRAWN	G. ZHOU	10-21		
CHECKED	T. MIVSHEK	10-21		
TEAM LEADER	C. LITIN	10-21		
GENERAL NOTES AND PAVEMENT MARKING QUANTITIES				
LOCATION			I-40 EAST SELIGMAN TI OP, EB/WB	SHEET 1 OF 8
TRACS NO. F0161 01C		040-B(229)T		OF

SIGN SUMMARY

SIGN NO.	STATION ±	OFFSET (FT.)	SIGN	BACKGROUND COLOR	W (IN.)	H (IN.)	SIGN AREA (SQ. FT.)	SHEETING TYPE	SIGN BID ITEM NO.	POST TYPE	NUMBER OF POSTS	NUMBER OF FOUNDATIONS	NUMBER OF SLIP BASES	TOTAL POST LENGTH (FT.)	REMARKS
E1	6427+25	6 Lt.	Guide	Green	96	24	16.00	1X/1X1	6080025	2 1/2 T	2	2		24	Install 6 Ft. Behind Guardrail, Using Stringers.
W1	6428+75	6 Rt.	Guide	Green	96	24	16.00	1X/1X1	6080025	2 1/2 T	2	2		24	Install 6 Ft. Behind Guardrail, Using Stringers.
E2	6455+50		R3-4	White	48	48	16.00	XI	6080005	2 1/2 T	2	2	2	27	Install the R3-4 Signs Back To Back At The East End Of The Median Crossover, Centered In The Median.
W2			R3-4	White	48	48	16.00	XI	6080005						
ER1	EB Off-Ramp	12 Lt.	R5-1a	Red	48	36	12.00	XI	6080005	2 1/2 T	2	2	2	13	Install 3 Ft. Above The Pavement.
ER2	EB Off-Ramp	12 Rt.	R5-1a	Red	48	36	12.00	XI	6080005	2 1/2 T	2	2	2	13	Install 3 Ft. Above The Pavement.
ER3	EB Off-Ramp	12 Lt.	R5-1	White	48	48	16.00	XI	6080005	2 1/2 T	2	2	2	21	Install the R5-1 Sign (Top) And R5-1a Sign (Bottom) 3 Ft. Above The Pavement. Leave Existing R1-1 Signing.
			R5-1a	Red	48	36	12.00	XI	6080005						
ER4	EB Off-Ramp	12 Rt.	R5-1	White	48	48	16.00	XI	6080005	2 1/2 T	2	2	2	21	Install the R5-1 Sign (Top) And R5-1a Sign (Bottom) 3 Ft. Above The Pavement. Leave Existing R1-1 Signing.
			R5-1a	Red	48	36	12.00	XI	6080005						
WR1	WB Off-Ramp	12 Rt.	R5-1	White	48	48	16.00	XI	6080005	2 1/2 T	2	2	2	21	Install the R5-1 Sign (Top) And R5-1a Sign (Bottom) 3 Ft. Above The Pavement. Leave Existing R1-1 Signing.
			R5-1a	Red	48	36	12.00	XI	6080005						
WR2	WB Off-Ramp	12 Lt.	R5-1	White	48	48	16.00	XI	6080005	2 1/2 T	2	2	2	21	Install the R5-1 Sign (Top) And R5-1a Sign (Bottom) 3 Ft. Above The Pavement. Leave Existing R1-1 Signing.
			R5-1a	Red	48	36	12.00	XI	6080005						
WR3	WB Off-Ramp	12 Lt.	R5-1a	Red	48	36	12.00	XI	6080005						Install On The Back Side Of The North Side Guide Sign.
WR4	WB Off-Ramp	12 Rt.	R5-1a	Red	48	36	12.00	XI	6080005	2 1/2 T	2	2	2	13	Install 3 Ft. Above The Pavement.



3.0" Radius, 1.0" Border, White on Green;
 [Business] E; [40] E;

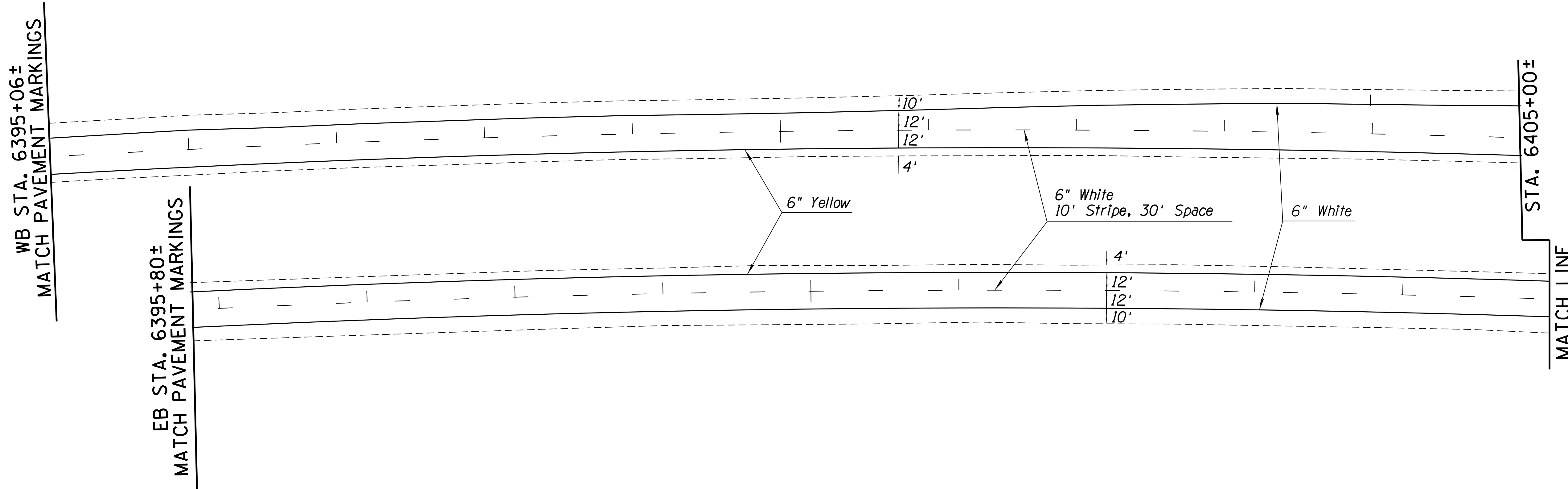
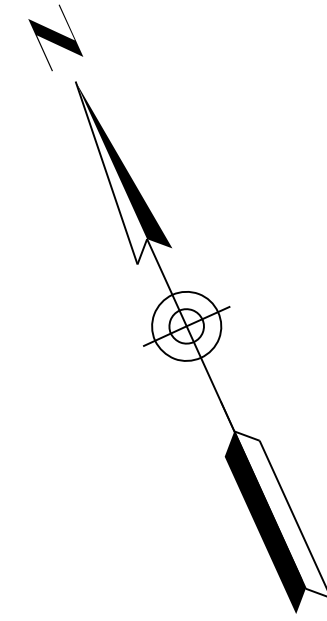
EB Sta. 6427+25±, Sign E1
 WB Sta. 6428+75±, Sign W1

DESIGN	C. LITIN	10-21	ARIZONA DEPARTMENT OF TRANSPORTATION INFRASTRUCTURE DELIVERY AND OPERATIONS DIVISION TRAFFIC DESIGN SECTION	
DRAWN	O. ZHOU	10-21		
CHECKED	T. MIVSHEK	10-21		
TEAM LEADER	C. LITIN	10-21		
SIGN SUMMARY AND SIGN FORMAT				
LOCATION			I-40 EAST SELIGMAN TI OP, EB/WB	SHEET 2 OF 8
TRACS NO. F0161 OIC			040-B(229)T	OF

MADE BY DATE NO.1 DESCRIPTION OF REVISION NO.2 DESCRIPTION OF REVISION

F.H.W.A. REGION	STATE	PROJECT NO.	SHEET NO.	TOTAL SHEETS	RECORD DRAWING
9	ARIZ.	040-B(229)T	50	87	

040 YV 122



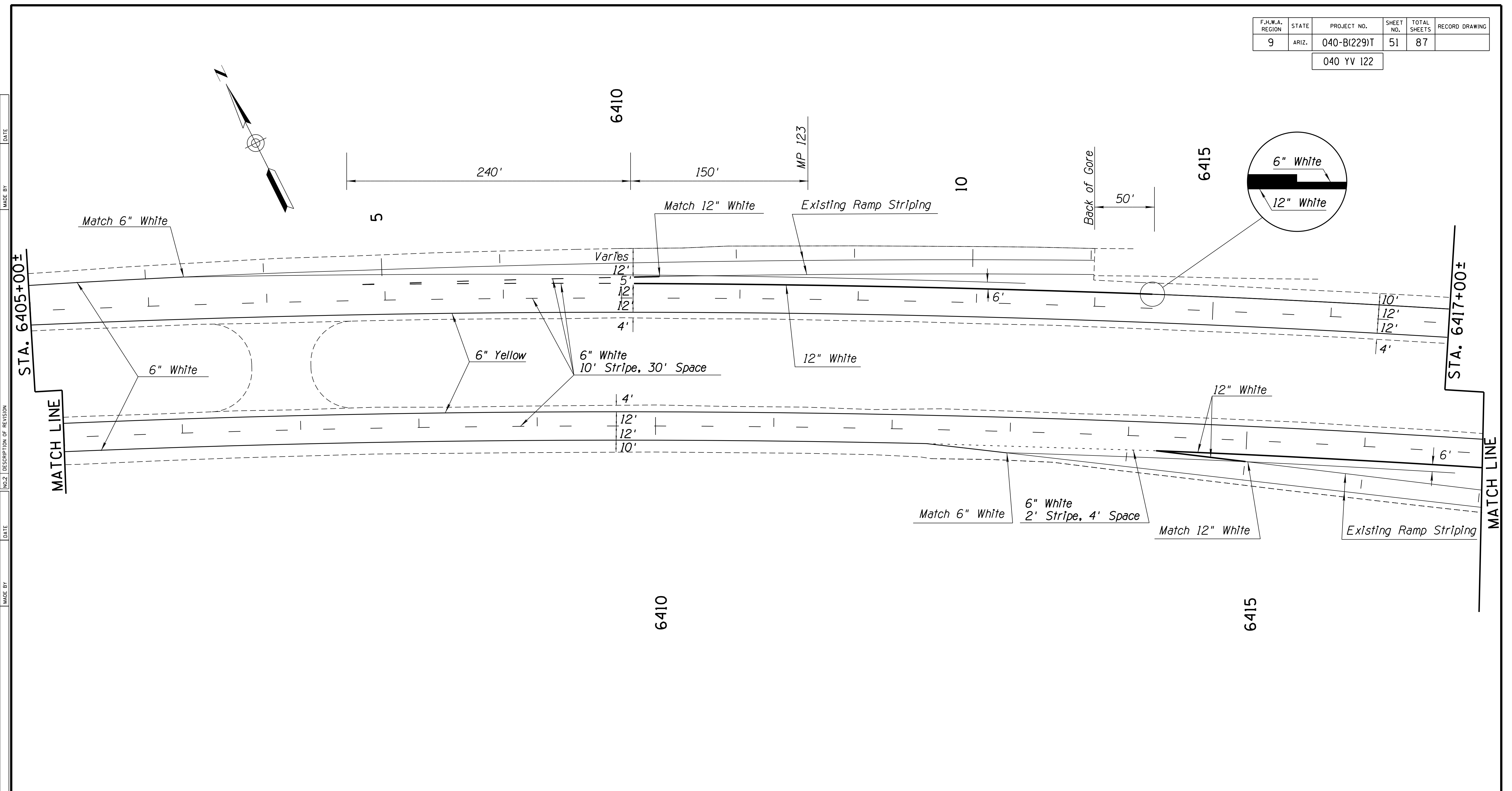
NO. 1	DESCRIPTION OF REVISION	DATE	MADE BY
NO. 2	DESCRIPTION OF REVISION	DATE	MADE BY

DESIGN	C. LITIN	10-21	ARIZONA DEPARTMENT OF TRANSPORTATION INFRASTRUCTURE DELIVERY AND OPERATIONS DIVISION TRAFFIC DESIGN SECTION	
DRAWN	O. ZHOU	10-21		
CHECKED	T. MIVSHEK	10-21		
TEAM LEADER	C. LITIN	10-21		
LOCATION			I-40 EAST SELIGMAN TI OP, EB/WB	SHEET 3 OF 8
TRACS NO. F0161 OIC		040-B(229)T		OF

F.H.W.A. REGION	STATE	PROJECT NO.	SHEET NO.	TOTAL SHEETS	RECORD DRAWING
9	ARIZ.	040-B(229)T	51	87	

040 YV 122

NO.1 DESCRIPTION OF REVISION
 NO.2 DESCRIPTION OF REVISION
 DATE
 MADE BY

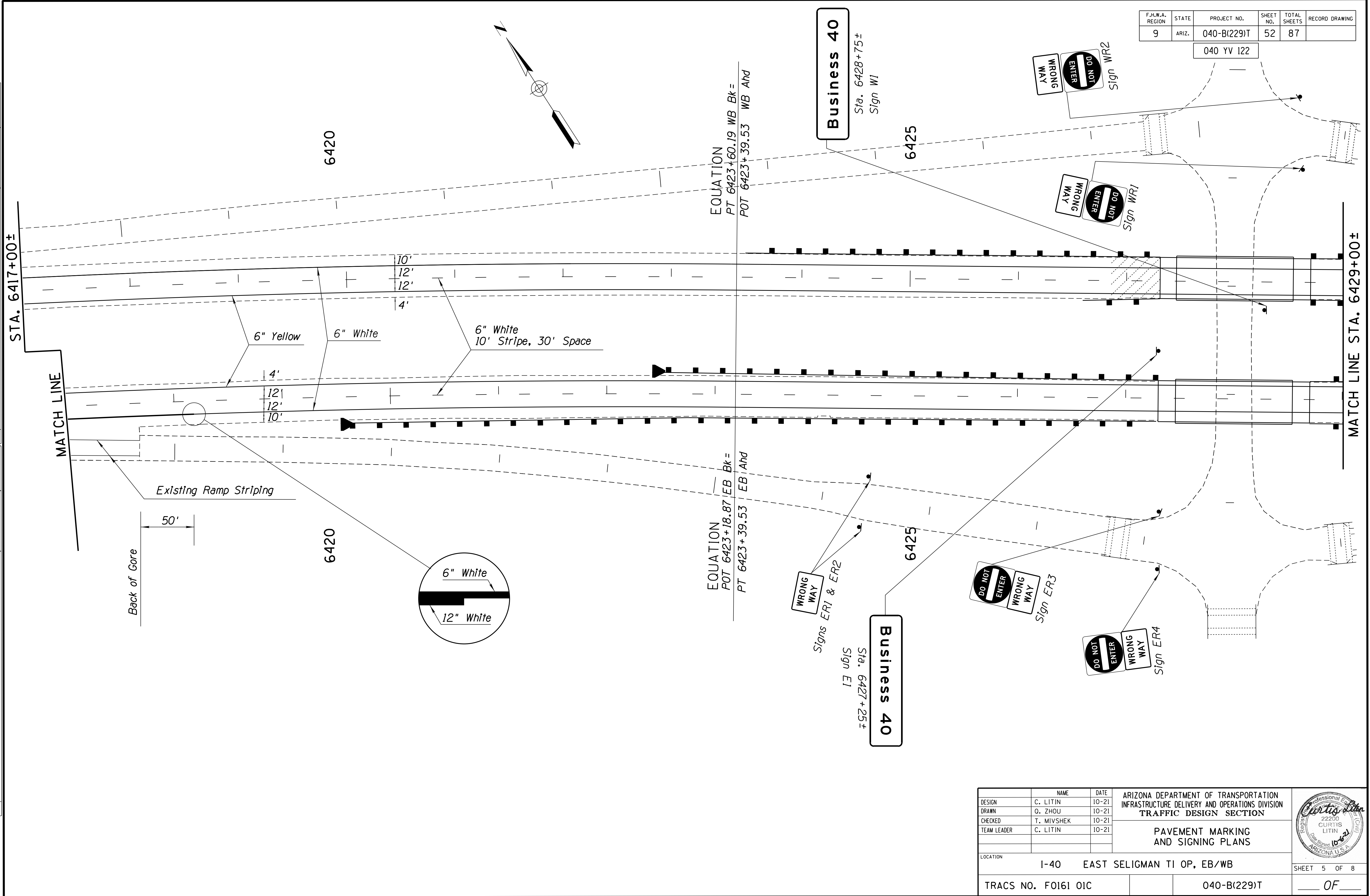


NOTE: The Contractor shall match existing ramp striping (6" and 12" white) approximately 6' from the EB and WB 6" white edge lines (6' north of the WB I-40 white edge line and 6' south of the EB I-40 white edge line).

DESIGN	C. LITIN	10-21	ARIZONA DEPARTMENT OF TRANSPORTATION INFRASTRUCTURE DELIVERY AND OPERATIONS DIVISION TRAFFIC DESIGN SECTION PAVEMENT MARKING AND SIGNING PLANS	
DRAWN	O. ZHOU	10-21		
CHECKED	T. MIVSHEK	10-21		
TEAM LEADER	C. LITIN	10-21		
LOCATION			I-40 EAST SELIGMAN TI OP, EB/WB	SHEET 4 OF 8
TRACS NO. F0161 OIC		040-B(229)T		OF

F.H.W.A. REGION	STATE	PROJECT NO.	SHEET NO.	TOTAL SHEETS	RECORD DRAWING
9	ARIZ.	040-B(229)T	52	87	

040 YV 122

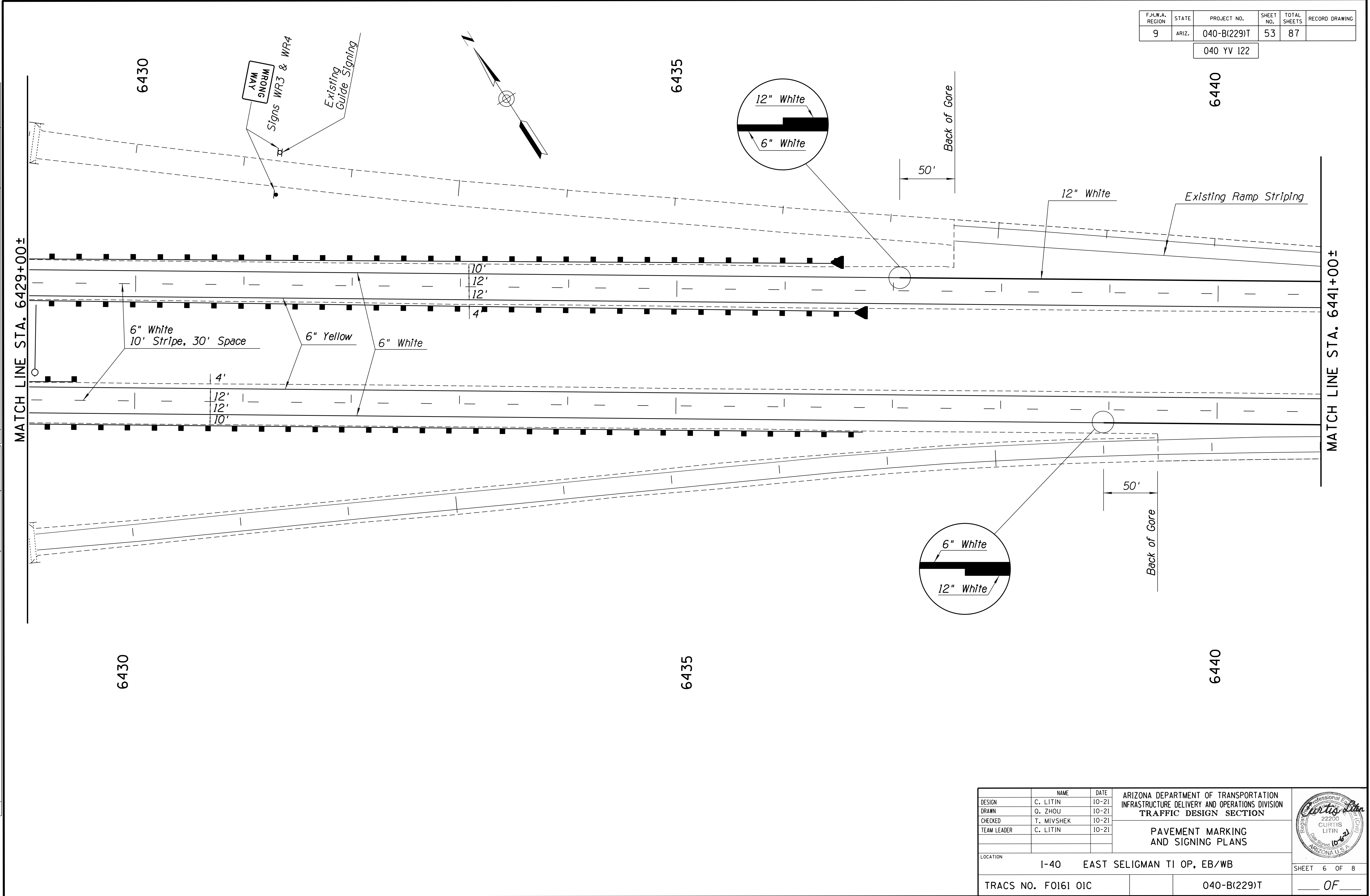


NO. 1 DESCRIPTION OF REVISION DATE MADE BY NO. 2 DESCRIPTION OF REVISION DATE MADE BY

DESIGN	C. LITIN	10-21	ARIZONA DEPARTMENT OF TRANSPORTATION INFRASTRUCTURE DELIVERY AND OPERATIONS DIVISION TRAFFIC DESIGN SECTION	
DRAWN	G. ZHOU	10-21		
CHECKED	T. MIVSHEK	10-21		
TEAM LEADER	C. LITIN	10-21		
LOCATION			I-40 EAST SELIGMAN TI OP, EB/WB	SHEET 5 OF 8
TRACS NO. FO161 OIC		040-B(229)T	OF	

F.H.W.A. REGION	STATE	PROJECT NO.	SHEET NO.	TOTAL SHEETS	RECORD DRAWING
9	ARIZ.	040-B(229)T	53	87	

040 YV 122

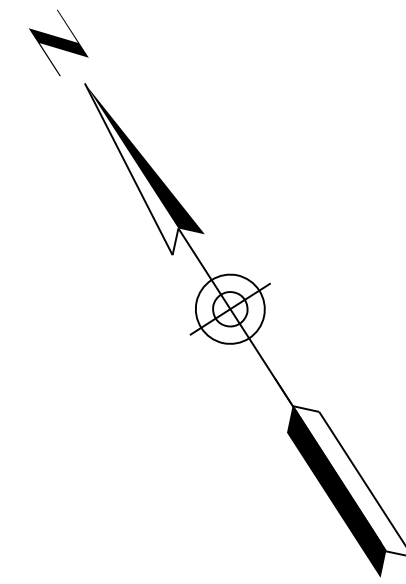


NO. 1 DESCRIPTION OF REVISION DATE MADE BY NO. 2 DESCRIPTION OF REVISION DATE MADE BY

DESIGN	C. LITIN	10-21	ARIZONA DEPARTMENT OF TRANSPORTATION INFRASTRUCTURE DELIVERY AND OPERATIONS DIVISION TRAFFIC DESIGN SECTION	
DRAWN	O. ZHOU	10-21		
CHECKED	T. MIVSHEK	10-21		
TEAM LEADER	C. LITIN	10-21		
LOCATION			I-40 EAST SELIGMAN TI OP, EB/WB	SHEET 6 OF 8
TRACS NO. FO161 OIC		040-B(229)T	OF	

F.H.W.A. REGION	STATE	PROJECT NO.	SHEET NO.	TOTAL SHEETS	RECORD DRAWING
9	ARIZ.	040-B(229)T	54	87	

040 YV 122

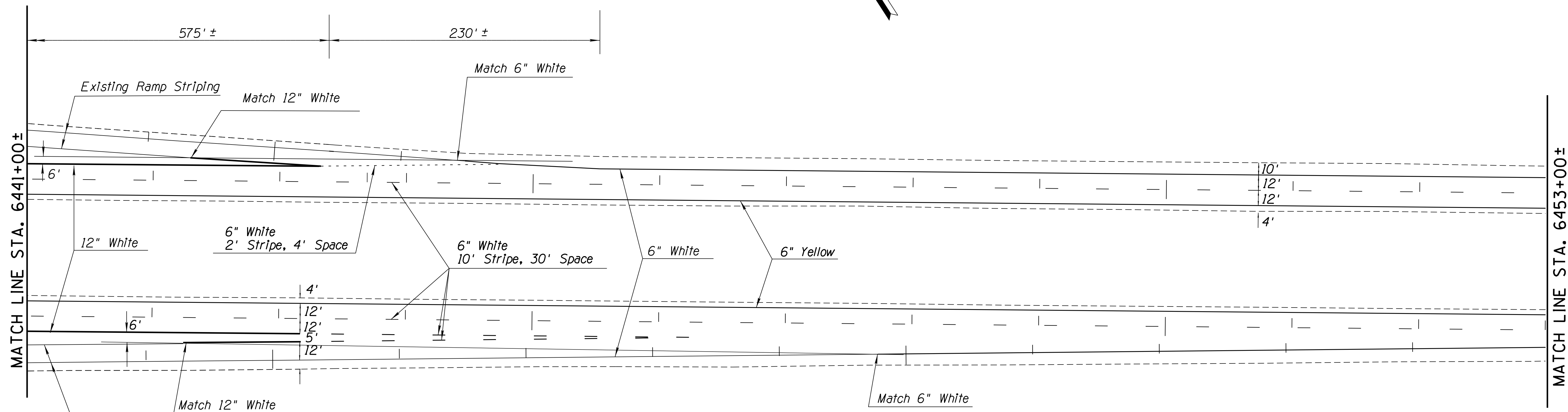


6445

6450

6445

6450



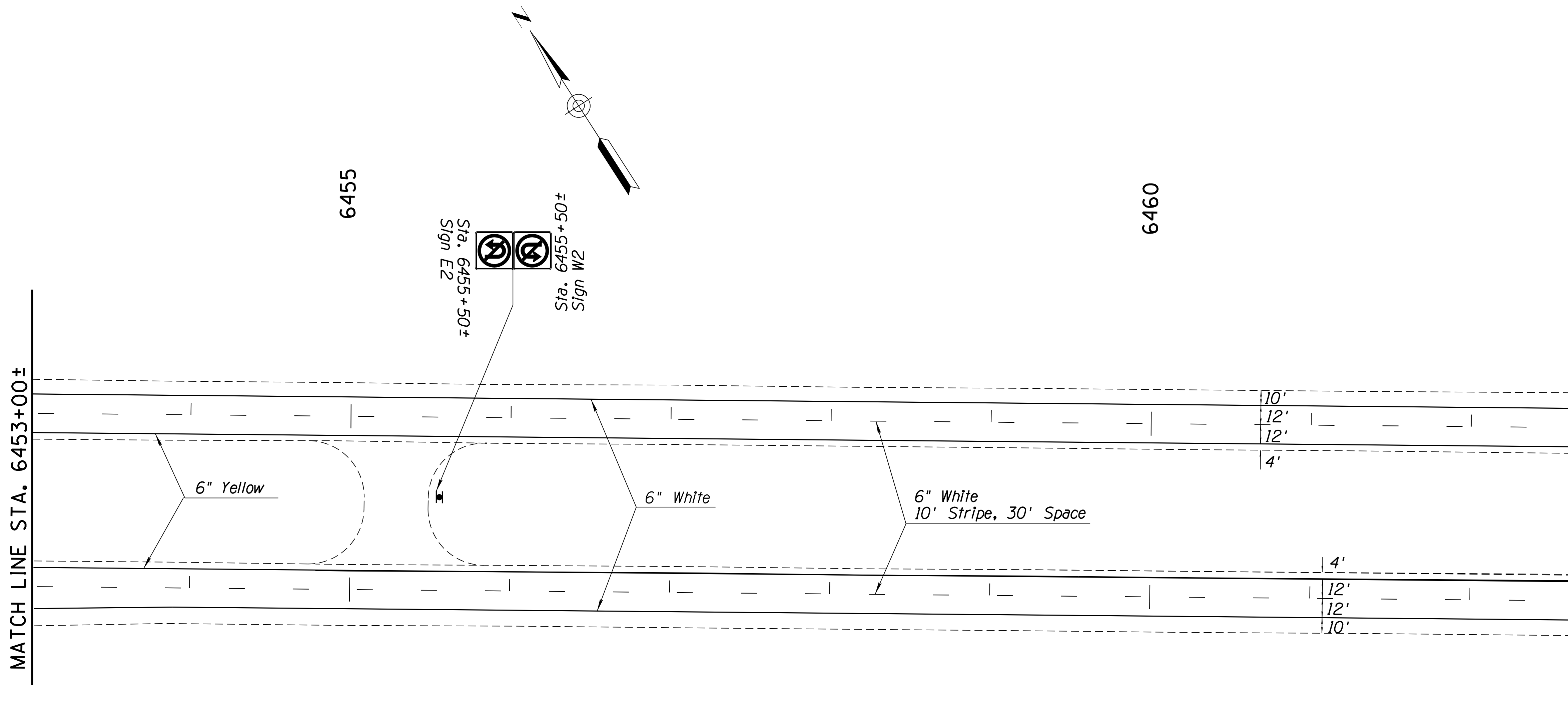
NO. 1 DESCRIPTION OF REVISION DATE MADE BY NO. 2 DESCRIPTION OF REVISION DATE MADE BY

DESIGN	C. LITIN	10-21	ARIZONA DEPARTMENT OF TRANSPORTATION INFRASTRUCTURE DELIVERY AND OPERATIONS DIVISION TRAFFIC DESIGN SECTION	
DRAWN	O. ZHOU	10-21		
CHECKED	T. MIVSHEK	10-21		
TEAM LEADER	C. LITIN	10-21		
LOCATION			I-40 EAST SELIGMAN TI OP, EB/WB	PAVEMENT MARKING AND SIGNING PLANS
TRACS NO. FO161 OIC			040-B(229)T	SHEET 7 OF 8

F.H.W.A. REGION	STATE	PROJECT NO.	SHEET NO.	TOTAL SHEETS	RECORD DRAWING
9	ARIZ.	040-B(229)T	55	87	

040 YV 122

NO. 1 | DESCRIPTION OF REVISION | DATE | MADE BY | NO. 2 | DESCRIPTION OF REVISION | DATE | MADE BY

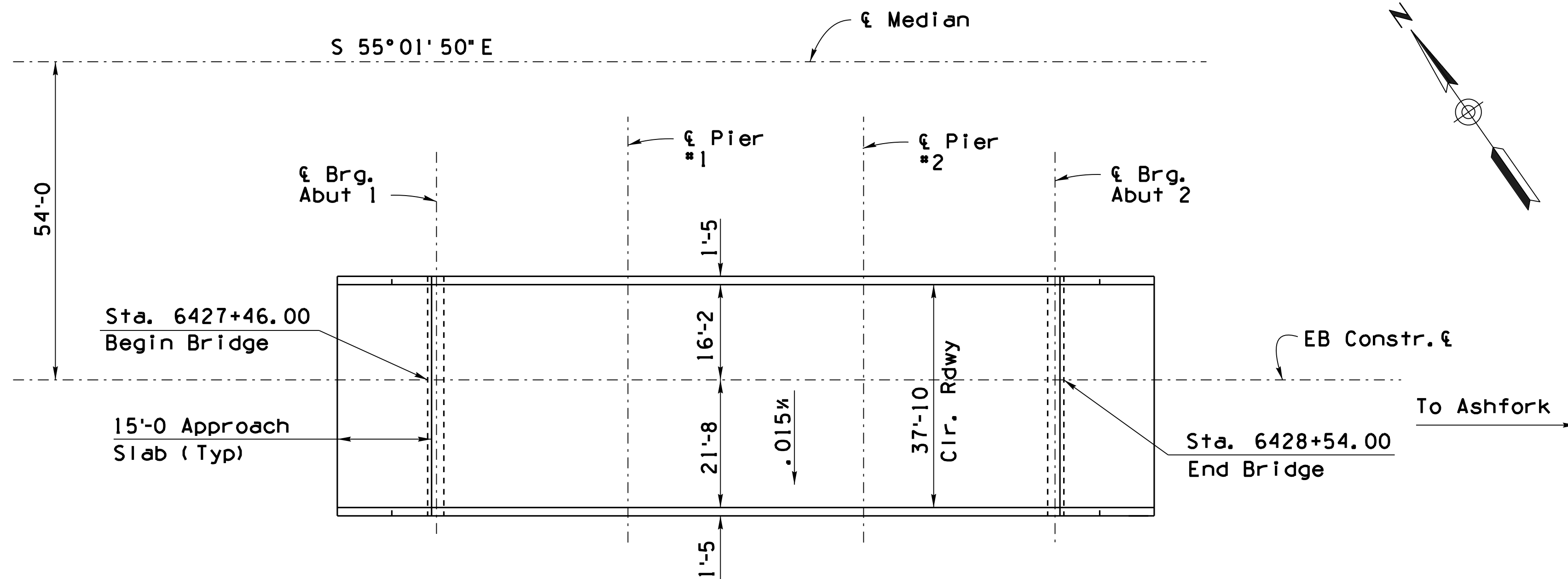


STA. 6462+65±
MATCH PAVEMENT MARKINGS

DESIGN	C. LITIN	10-21	ARIZONA DEPARTMENT OF TRANSPORTATION INFRASTRUCTURE DELIVERY AND OPERATIONS DIVISION TRAFFIC DESIGN SECTION	
DRAWN	O. ZHOU	10-21		
CHECKED	T. MIVSHEK	10-21		
TEAM LEADER	C. LITIN	10-21		
LOCATION			I-40 EAST SELIGMAN TI OP, EB/WB	SHEET 8 OF 8
TRACS NO. FO161 OIC		040-B(229)T		OF

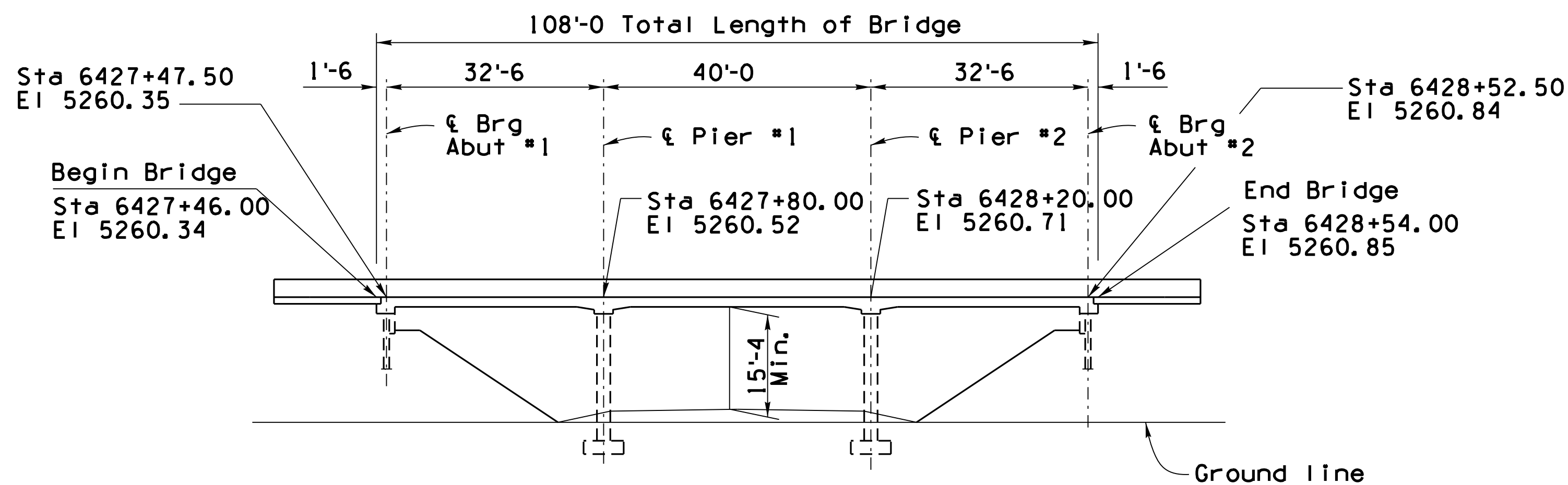
F.H.W.A. REGION	STATE	PROJECT NO.	SHEET NO.	TOTAL SHEETS	RECORD DRAWING
9	ARIZ.	040-B(229)T	56	87	

040 YV 122



LOCATION PLAN
Three Span Continuous Concrete Slab Bridge
Skew = 0°
Scale: 1" = 15'-0"

TITLE	DWG NO
PLAN AND ELEVATION	S-1.01
TYP SECTION, NOTES & QUANTITIES	S-1.02
REMOVAL DETAILS	S-1.03
ABUT. #1 PLAN & ELEVATION	S-1.04
ABUT. #2 PLAN & ELEVATION	S-1.05
ABUTMENT DETAILS	S-1.06
PIER DETAILS	S-1.07
DECK DETAILS	S-1.08 & S-1.09
APPROACH SLAB DETAILS	S-1.10 & S-1.11
FALSEWORK & SCREED ELEVATIONS	S-1.12



ELEVATION
Scale: 1" = 15'-0"

LEGEND:

- Title/Detail Marker — Detail Number
- Section Marker — Section Number
- Elevation Marker — Elevation Number

PROFILE NOTE:

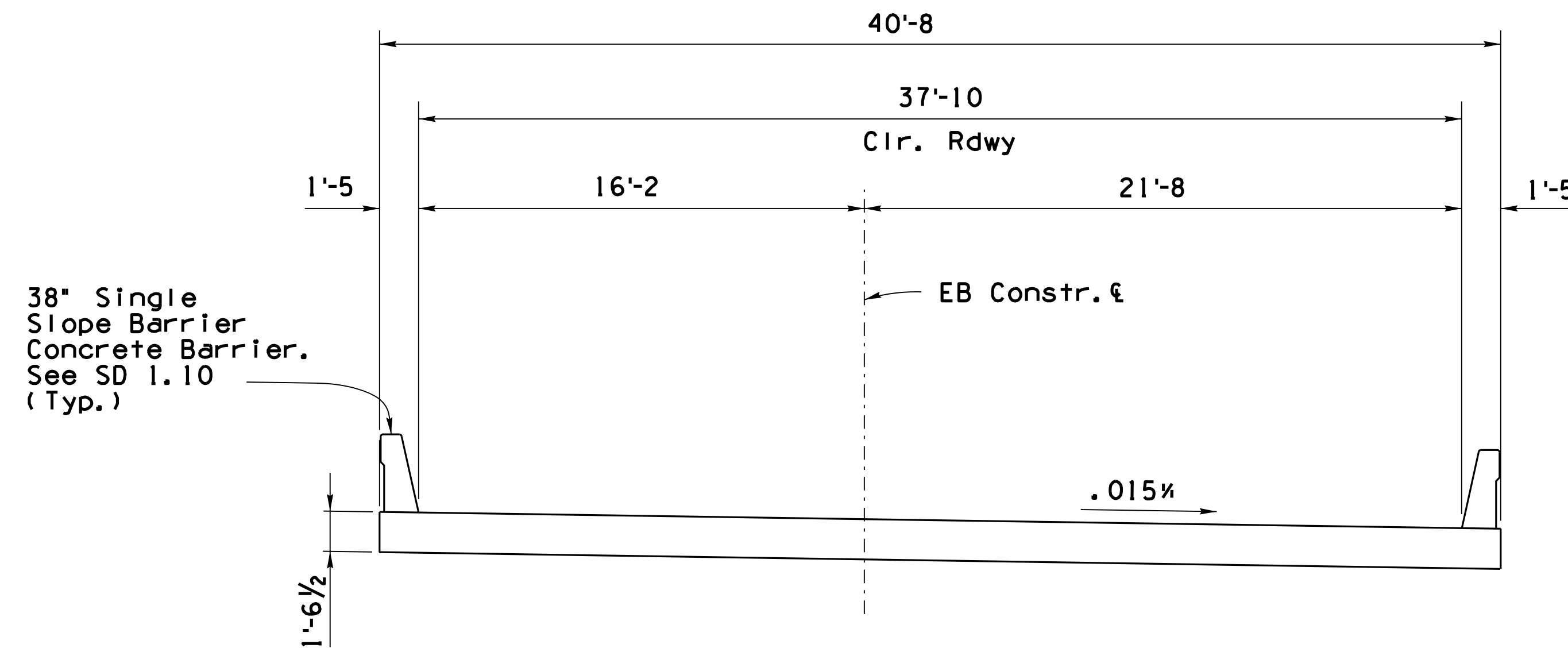
The as-built elevations for existing features have been adjusted by +2.83 feet as a best fit to survey data. The Contractor shall field verify existing elevations.

Original Bridges Built by Arizona Highway Department in 1967 under Project No. 1-40-2(32)

BRIDGE DESIGN SECTION "B"		DATE	ARIZONA DEPARTMENT OF TRANSPORTATION INFRASTRUCTURE DELIVERY AND OPERATIONS DIVISION BRIDGE GROUP STA 6428+ EAST SELIGMAN T I OP EB PLAN AND ELEVATION	
DESIGN	E. Hoque	08-21		
DRAWN	E. Hoque	08-21		
CHECKED	R. Cvijanovic	08-21		
APPROVED-SECTION LEADER		N. Viboolmate	08-21	
1-40	123.32	1259	LOCATION EAST SELIGMAN T I OP, EB/WB	
ROUTE	MILEPOST	STRUCTURE NO.		
TRACS NO. F 0161 OIC			040-B(229)T	
			DWG. S-1.01 OF 12 OF	

F.H.W.A. REGION	STATE	PROJECT NO.	SHEET NO.	TOTAL SHEETS	RECORD DRAWING
9	ARIZ.	040-B(229)T	57	87	

040 YV 122



TYPICAL SECTION
(Looking Ahead on Station)
Scale: 1/4" = 1'-0"

APPROXIMATE QUANTITIES

ITEM	UNITS	TOTAL	ITEM NUMBER	RECORD DRAWING
Removal of Structural Concrete	CY	320	2020009	
Structural Excavation	CY	50	2030501	
Structure Backfill	CY	15	2030506	
Structural Concrete (Class S) (F'c = 4500)	CY	275	6010005	
Groove Bridge Deck	SY	450	6010831	
38" Single Slope Concrete Bridge Barrier and Trans.	LF	274	6011150	
Approach Slab (SD 2.01)	SF	1220	6011371	
Reinforcing Steel (Epoxy Coated)	LB	56550	6050012	
Place Dowels	EA	76	6050101	

GENERAL NOTES:

Construction Specifications - Arizona Department of Transportation Standard Specifications for Road and Bridge Construction, Latest Edition.

Design Specifications - AASHTO LRFD Bridge Design Specifications, 8th Edition 2017 and 2018 Errata.

All Concrete shall be Class "S".

Reinforcing steel shall conform to ASTM Specification A615. All reinforcing shall be furnished as Grade 60.

All bends and hooks shall meet the requirements of AASHTO Article 5.10.2. All bend dimensions for reinforcing steel shall be out-to-out of bars. All placement dimensions for reinforcing steel shall be to center of bars unless noted otherwise.

All reinforcing steel shall have 2 inch clear cover unless otherwise noted. Where existing reinforcing has less than above clearance, new reinforcing clearance may be reduced as approved by the Engineer.

Chamfer all exposed corners 3/4 inch unless noted otherwise.

Dimensions shall not be scaled from drawings.

All damage by the Contractor's operation during work on the bridge shall be repaired by the Contractor at no additional cost to the Department. The Contractor shall submit a method of repair to the Engineer for approval prior to construction.

All stations, elevations and dimensions are based on Record Drawing plans. Contractor shall verify all relevant dimensions in field prior to fabrication of all materials.

Barriers shall not be slip formed.

Existing H-2-1 rail & post removal cost is included in removal of structural concrete cost.

Stresses:

- Superstructure Deck except Barriers..... f'c = 4,500 psi
- Barriers..... f'c = 4,000 psi
- All other Class "S" Concrete..... f'c = 3,500 psi
- Grade 60 Longitudinal deck reinforcement.. fs = 28,000 psi
- All other Grade 60 reinforcement..... fy = 60,000 psi

Deck falsework cost is considered included in the Project Contract Items. Any slope paving removal required will be considered included in the deck falsework cost. Traffic will be restricted on the crossroad at the bridges during construction.

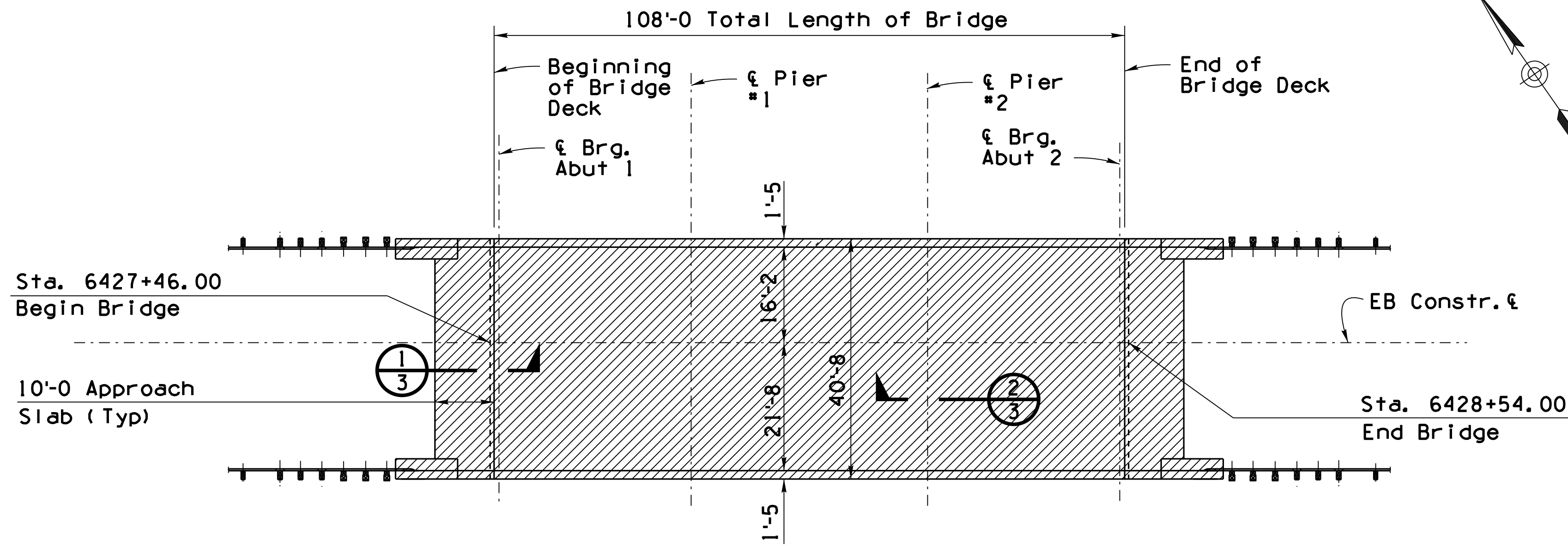
SD SHEET LIST:

SD 1.10, SD 2.01, SD 3.01

BRIDGE DESIGN SECTION "B"		DATE	ARIZONA DEPARTMENT OF TRANSPORTATION INFRASTRUCTURE DELIVERY AND OPERATIONS DIVISION BRIDGE GROUP STA 6428+ EAST SELIGMAN TI OP EB TYP SECTION, NOTES & QUANTITIES	
DESIGN	E. Hoque	08-21		
DRAWN	E. Hoque	08-21		
CHECKED	R. Cvijanovic	08-21		
APPROVED-SECTION LEADER	N. Viboolmate	08-21		
1-40	123.32	1259	LOCATION	
ROUTE	MILEPOST	STRUCTURE NO.	EAST SELIGMAN TI OP, EB/WB	
TRACS NO. F 0161 OIC			040-B(229)T	DWG. 5-1.02 OF 12
				OF

F.H.W.A. REGION	STATE	PROJECT NO.	SHEET NO.	TOTAL SHEETS	RECORD DRAWING
9	ARIZ.	040-B(229)T	58	87	

040 YV 122



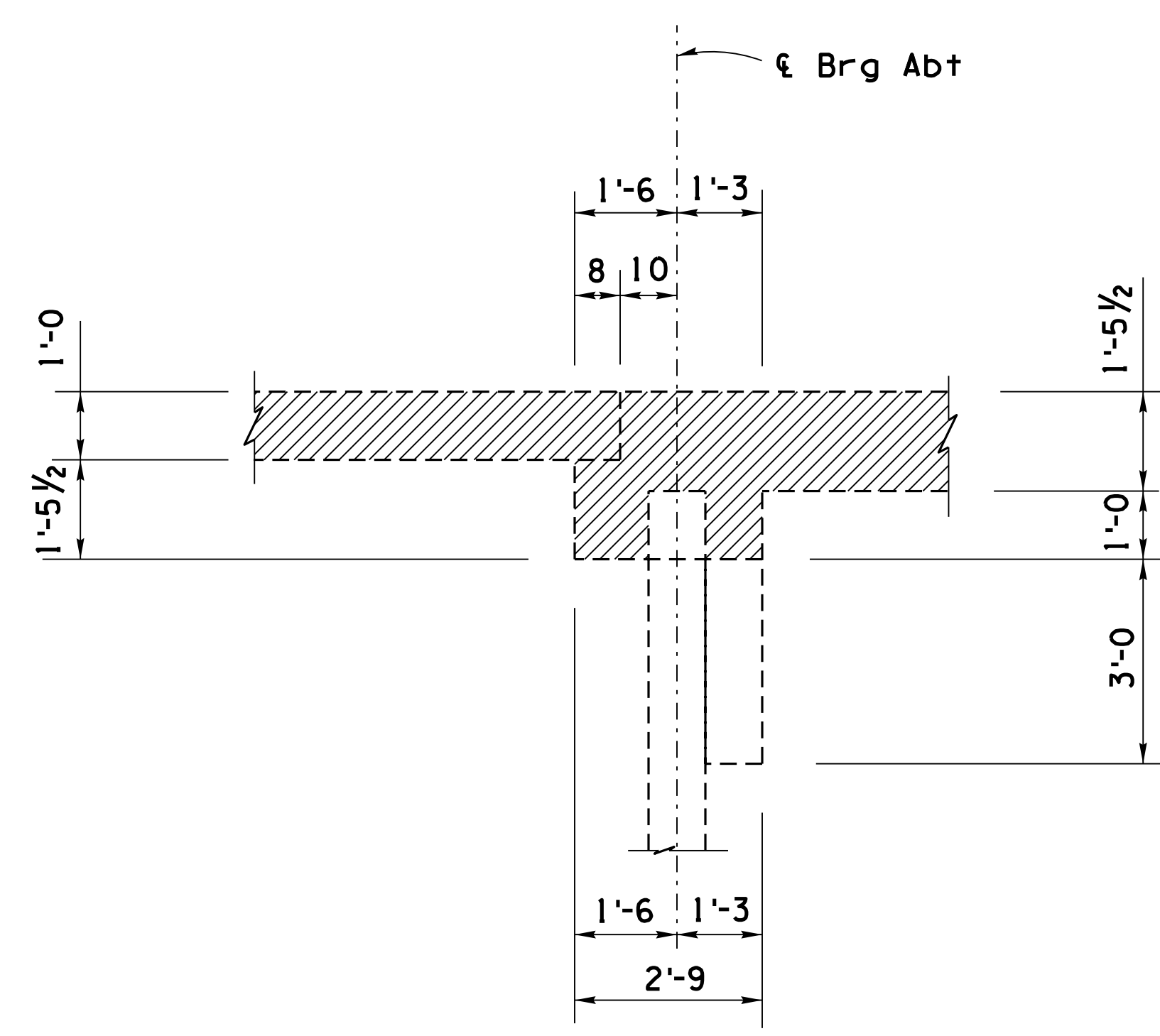
DECK PLAN
Skew = 0°
Scale: 1" = 15'-0"

REMOVAL NOTES:

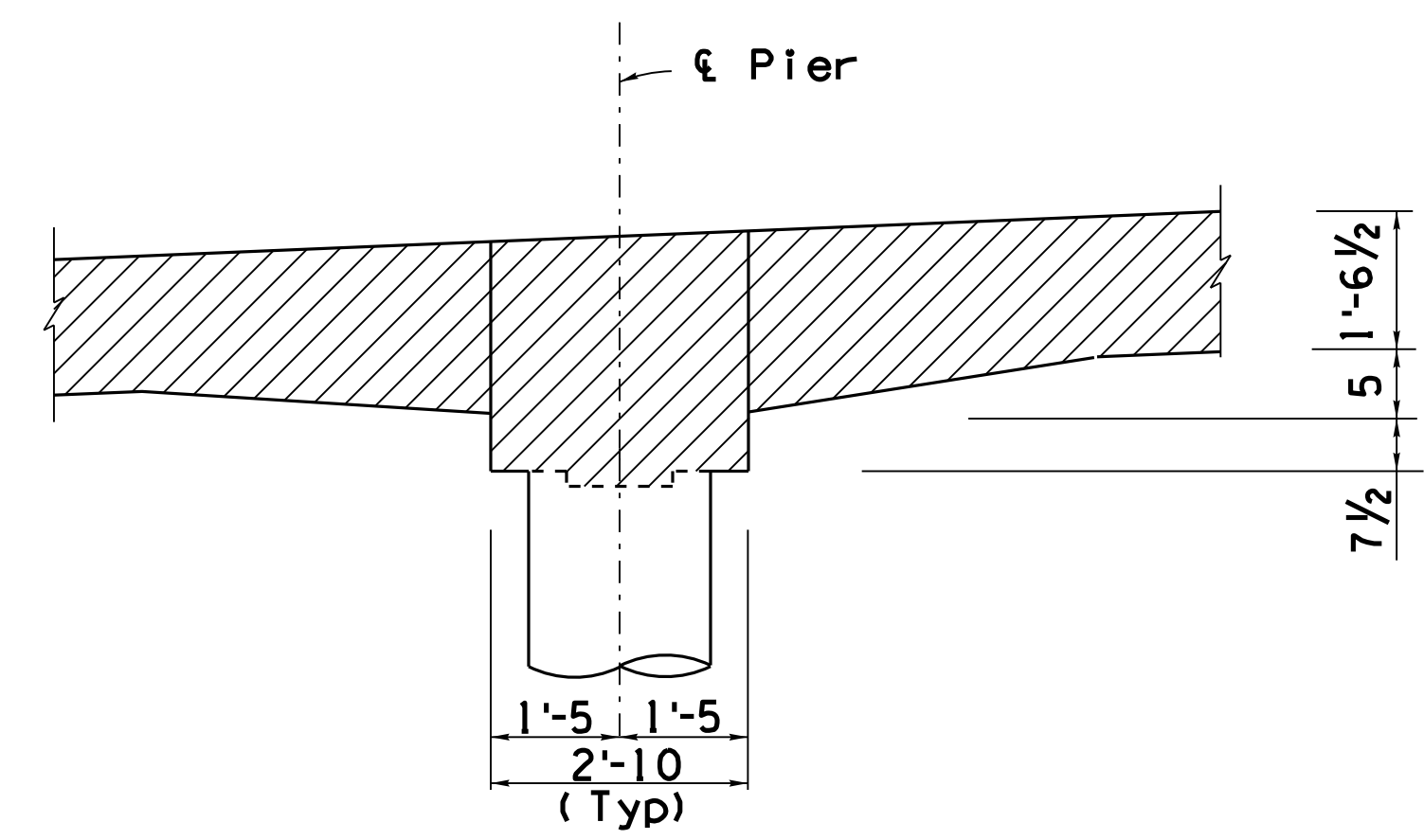
Denote removal.

Remove deck, railings, dados, approach slabs and top of abutment.

The existing H-2-1 rail and posts shall be salvaged.



SECTION 1
Scale: 1/2" = 1'-0"

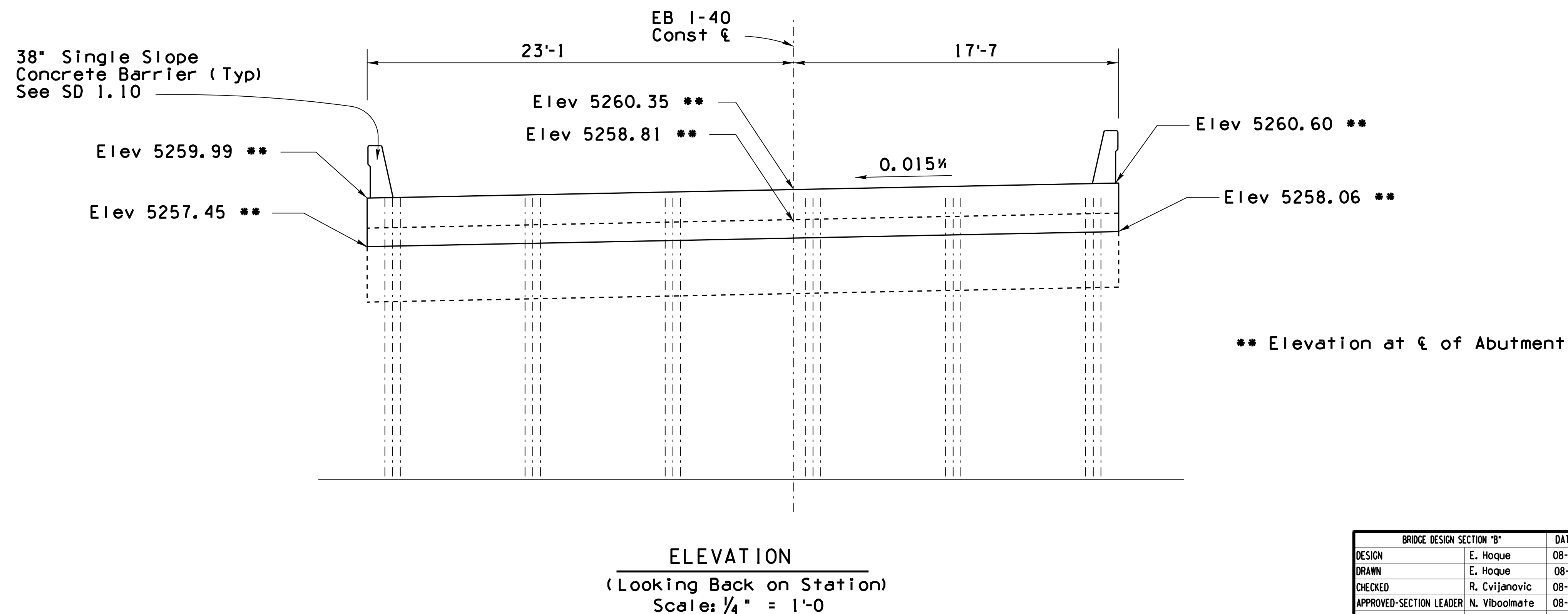
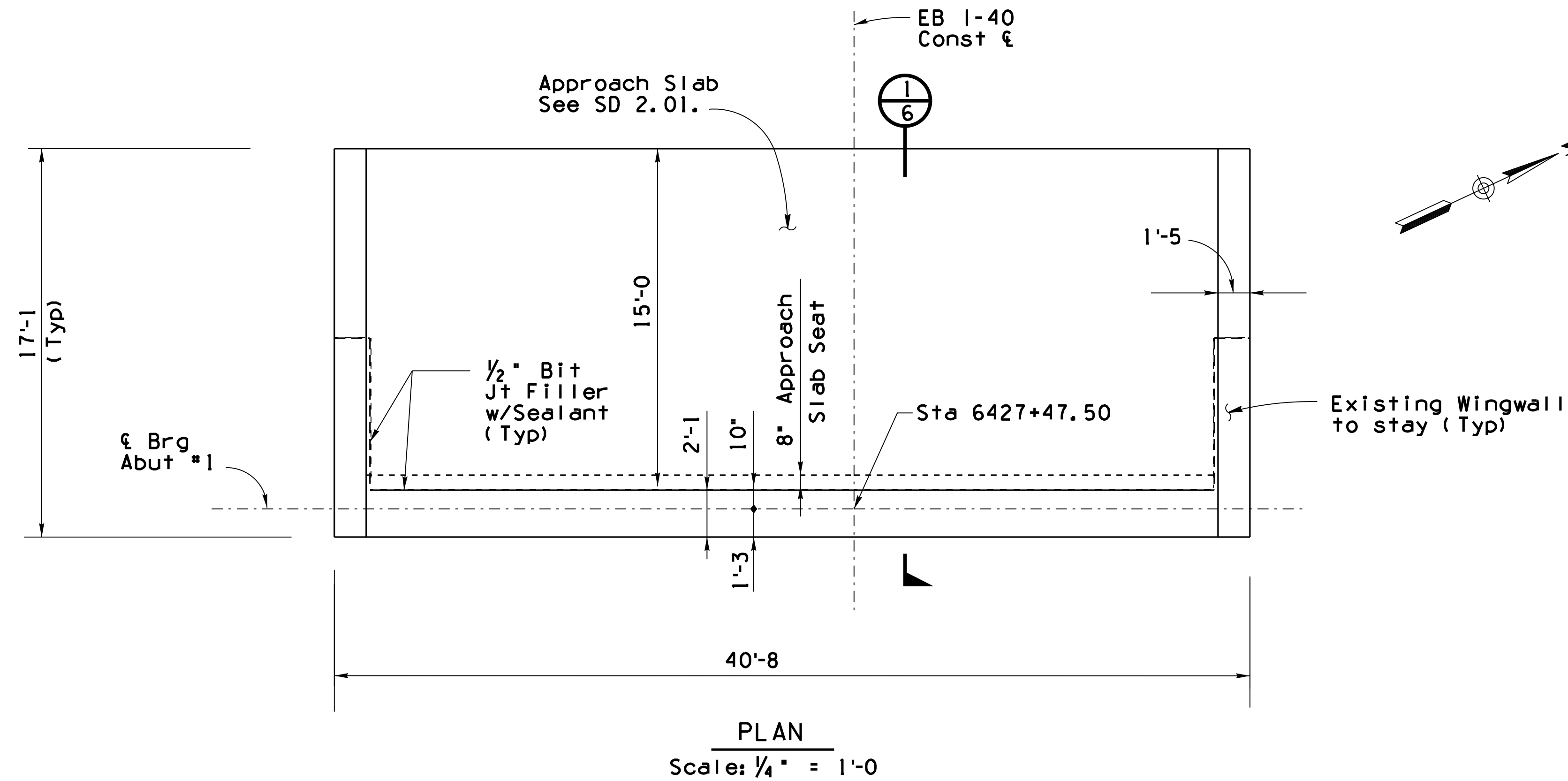


SECTION 2
Scale: 3/4" = 1'-0"

BRIDGE DESIGN SECTION "B"			DATE	ARIZONA DEPARTMENT OF TRANSPORTATION INFRASTRUCTURE DELIVERY AND OPERATIONS DIVISION BRIDGE GROUP STA 6428+ EAST SELIGMAN TI OP EB REMOVAL DETAILS		
DESIGN	E. Hoque	08-21				
DRAWN	E. Hoque	08-21				
CHECKED	R. Cvijanovic	08-21				
APPROVED-SECTION LEADER	N. Viboolmate	08-21				
1-40	123.32	1259	LOCATION	EAST SELIGMAN TI OP, EB/WB		DWG. S-1.03 OF 12 040-B(229)T OF
ROUTE	MILEPOST	STRUCTURE NO.				
TRACS NO. F 0161 OIC						

F.H.W.A. REGION	STATE	PROJECT NO.	SHEET NO.	TOTAL SHEETS	RECORD DRAWING
9	ARIZ.	040-B(229)T	59	87	

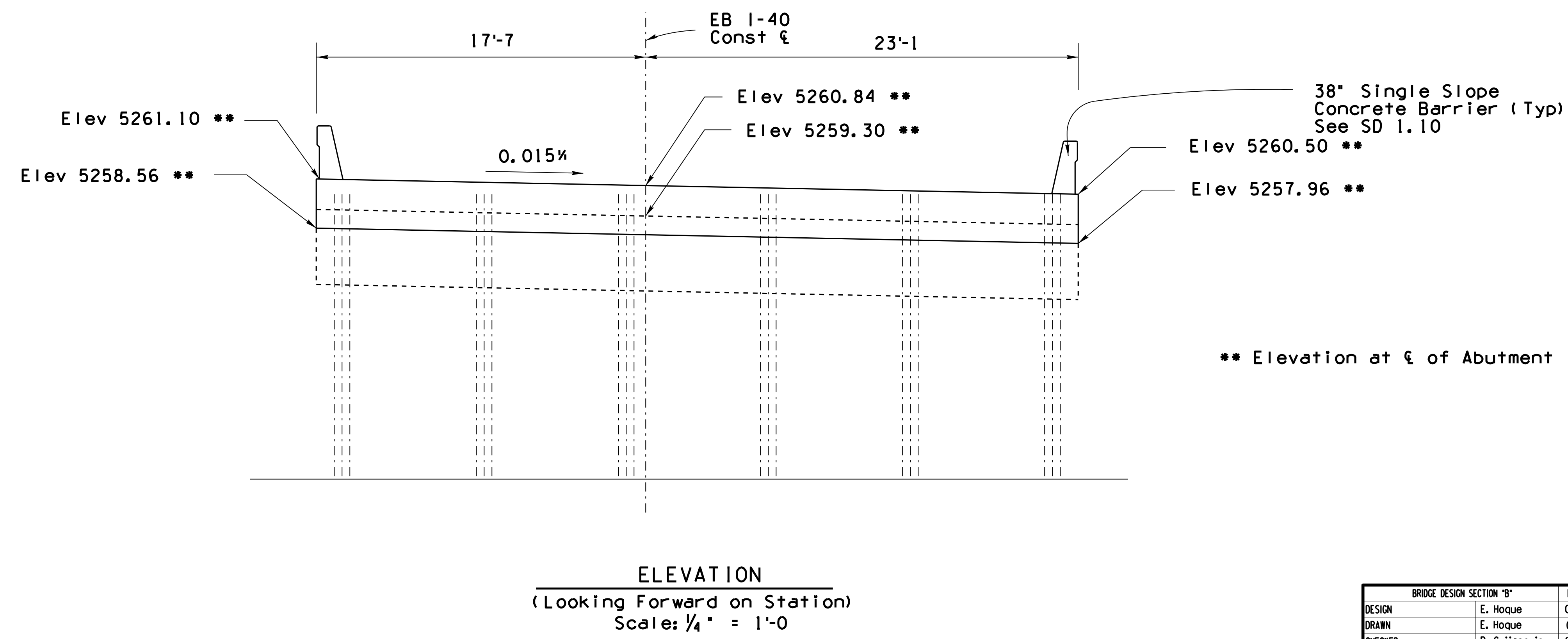
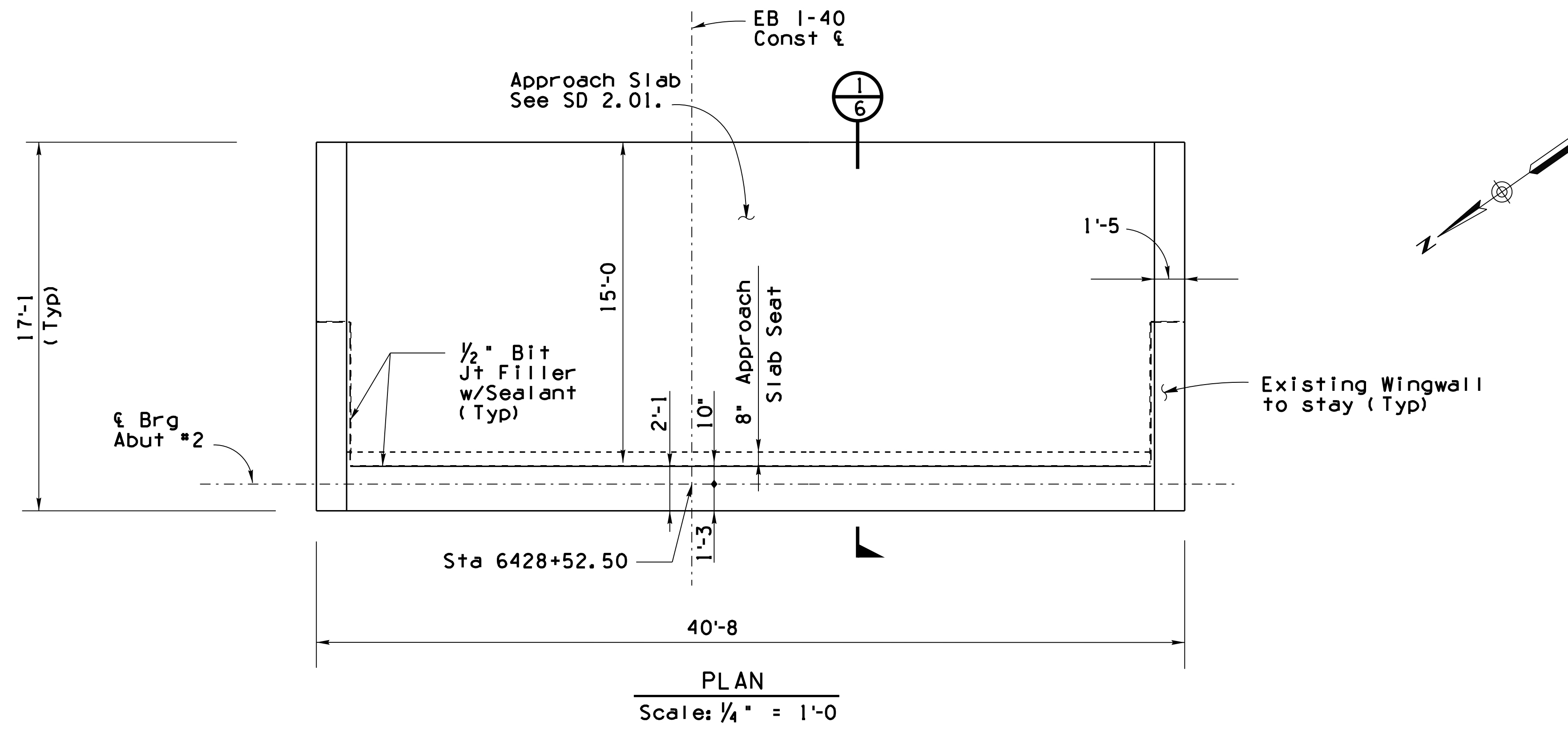
040 YV 122



BRIDGE DESIGN SECTION "B"		DATE	ARIZONA DEPARTMENT OF TRANSPORTATION INFRASTRUCTURE DELIVERY AND OPERATIONS DIVISION BRIDGE GROUP	
DESIGN	E. Hoque	08-21		
DRAWN	E. Hoque	08-21		
CHECKED	R. Cvijanovic	08-21		
APPROVED-SECTION LEADER		N. Viboolmate	08-21	
1-40	123.32	1259	LOCATION EAST SELIGMAN TI OP, EB/WB	
ROUTE	MILEPOST	STRUCTURE NO.	040-B(229)T	
TRACS NO. F 0161 OIC			DWG. S-1.04 OF 12	
			OF	

F.H.W.A. REGION	STATE	PROJECT NO.	SHEET NO.	TOTAL SHEETS	RECORD DRAWING
9	ARIZ.	040-B(229)T	60	87	

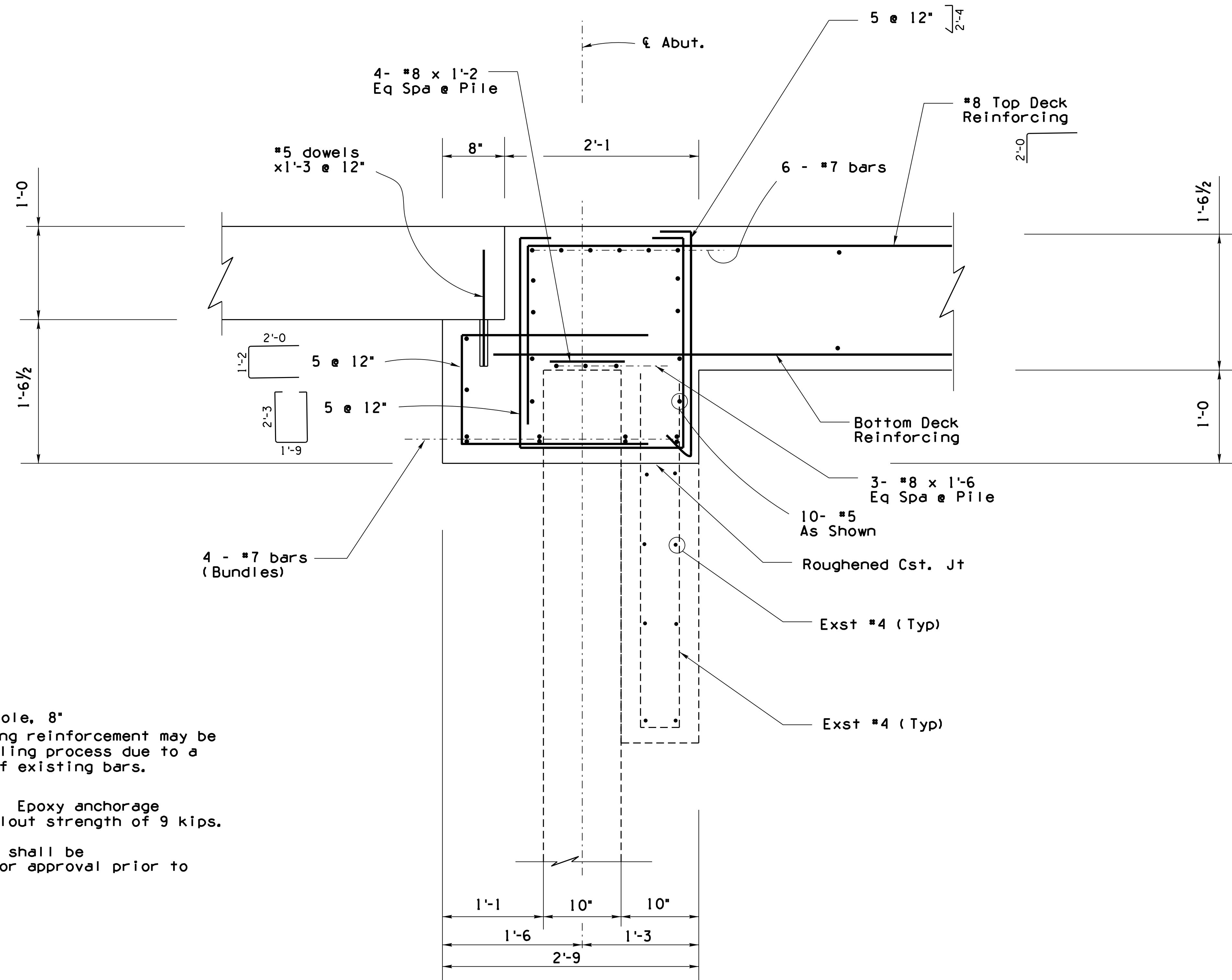
040 YV 122



BRIDGE DESIGN SECTION "B"		DATE	ARIZONA DEPARTMENT OF TRANSPORTATION INFRASTRUCTURE DELIVERY AND OPERATIONS DIVISION BRIDGE GROUP	
DESIGN	E. Hoque	08-21		
DRAWN	E. Hoque	08-21		
CHECKED	R. Cvijanovic	08-21		
APPROVED-SECTION LEADER		N. Viboolmate	08-21	
ROUTE	MILEPOST	STRUCTURE NO.	LOCATION	DWG. S-1.05 OF 12
I-40	123.32	1259	EAST SELIGMAN TI OP, EB/WB	
TRACS NO. F 0161 OIC			040-B(229)T	OF

F.H.W.A. REGION	STATE	PROJECT NO.	SHEET NO.	TOTAL SHEETS	RECORD DRAWING
9	ARIZ.	040-B(229)T	61	87	

040 YV 122



DOWEL NOTE:

Existing Concrete - Drill $\frac{1}{8}$ " hole, 8" deep for #5 dowels. Existing reinforcement may be encountered during the drilling process due to a variance in the placement of existing bars.

Epoxy Dowel in hole with an approved epoxy adhesive. Epoxy anchorage shall develop a tensile pullout strength of 9 kips.

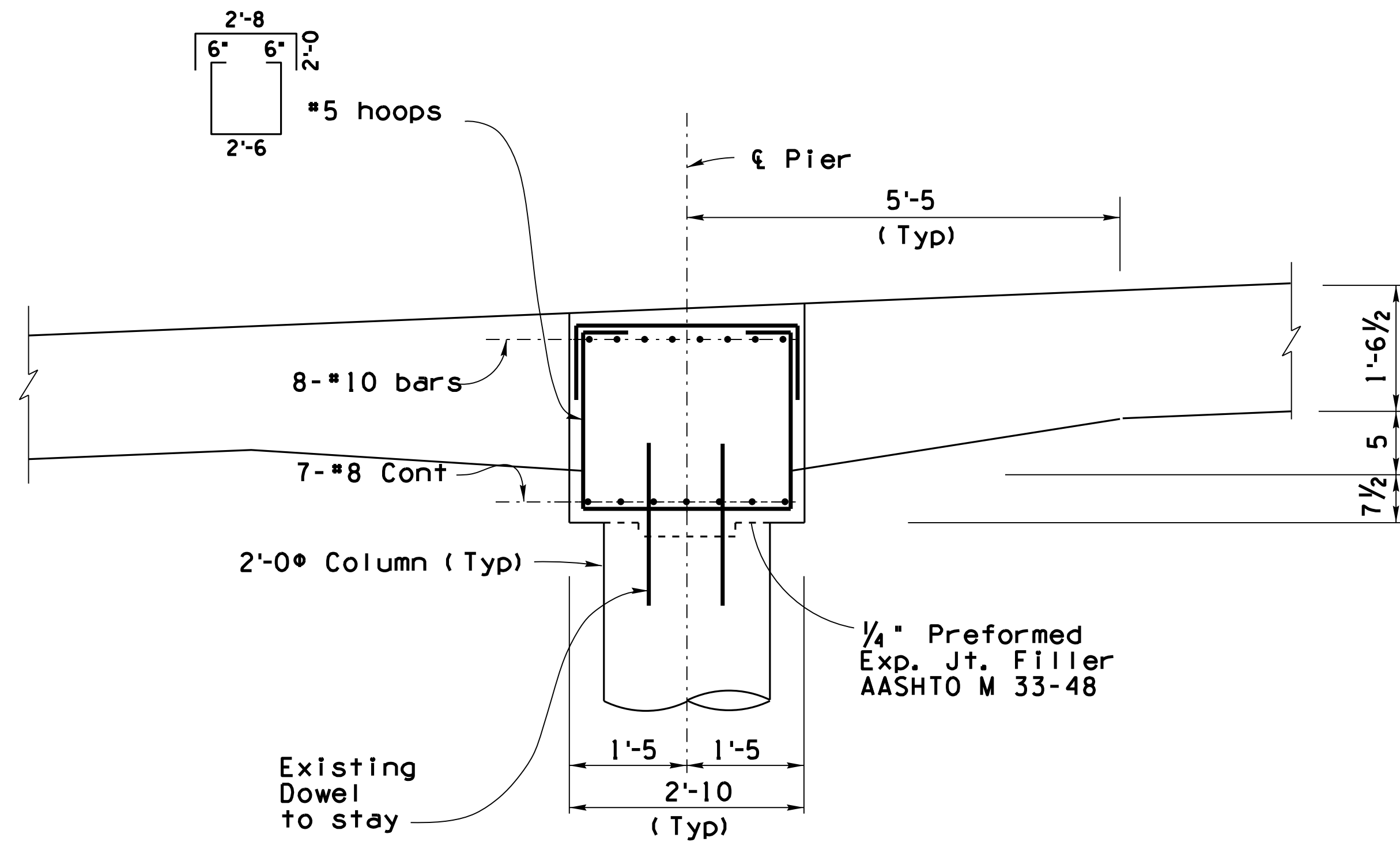
Details of anchorage system shall be submitted to the Engineer for approval prior to installation.

SECTION 1
Scale: $1\frac{1}{2}" = 1'-0"$

BRIDGE DESIGN SECTION "B"		DATE	ARIZONA DEPARTMENT OF TRANSPORTATION INFRASTRUCTURE DELIVERY AND OPERATIONS DIVISION BRIDGE GROUP	
DESIGN	E. Hoque	08-21		
DRAWN	E. Hoque	08-21		
CHECKED	R. Cvijanovic	08-21		
APPROVED-SECTION LEADER	N. Viboolmate	08-21	STA 6428+ EAST SELIGMAN TI OP EB ABUTMENT DETAILS	
ROUTE	MILEPOST	STRUCTURE NO.	LOCATION	
I-40	123.32	1259	EAST SELIGMAN TI OP, EB/WB	DWG. S-1.06 OF 12
TRACS NO. F 0161 OIC			040-B(229)T	OF

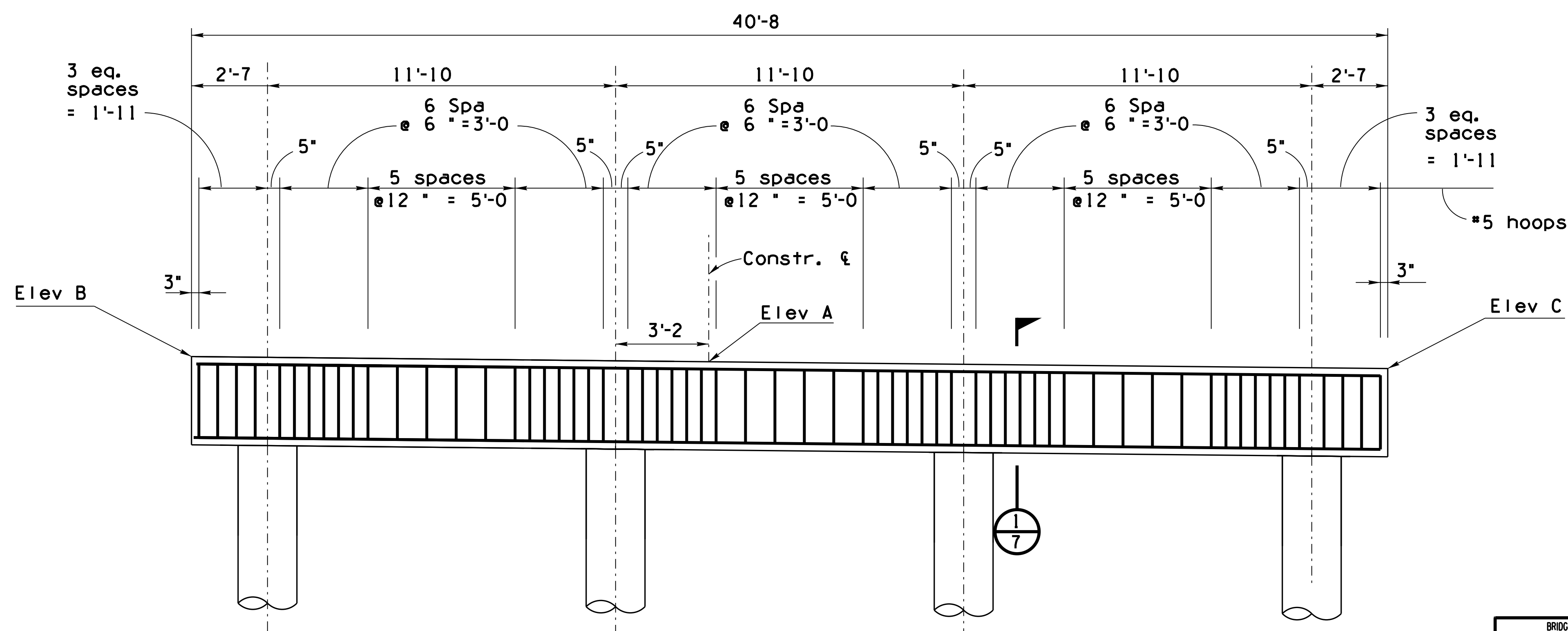
F.H.W.A. REGION	STATE	PROJECT NO.	SHEET NO.	TOTAL SHEETS	RECORD DRAWING
9	ARIZ.	040-B(229)T	62	87	

040 YV 122



	Elev A	Elev B	Elev C
Pier #1	5260.52	5260.78	5260.17
Pier #2	5260.71	5260.97	5260.36

SECTION 1
Scale: 3/4" = 1'-0"

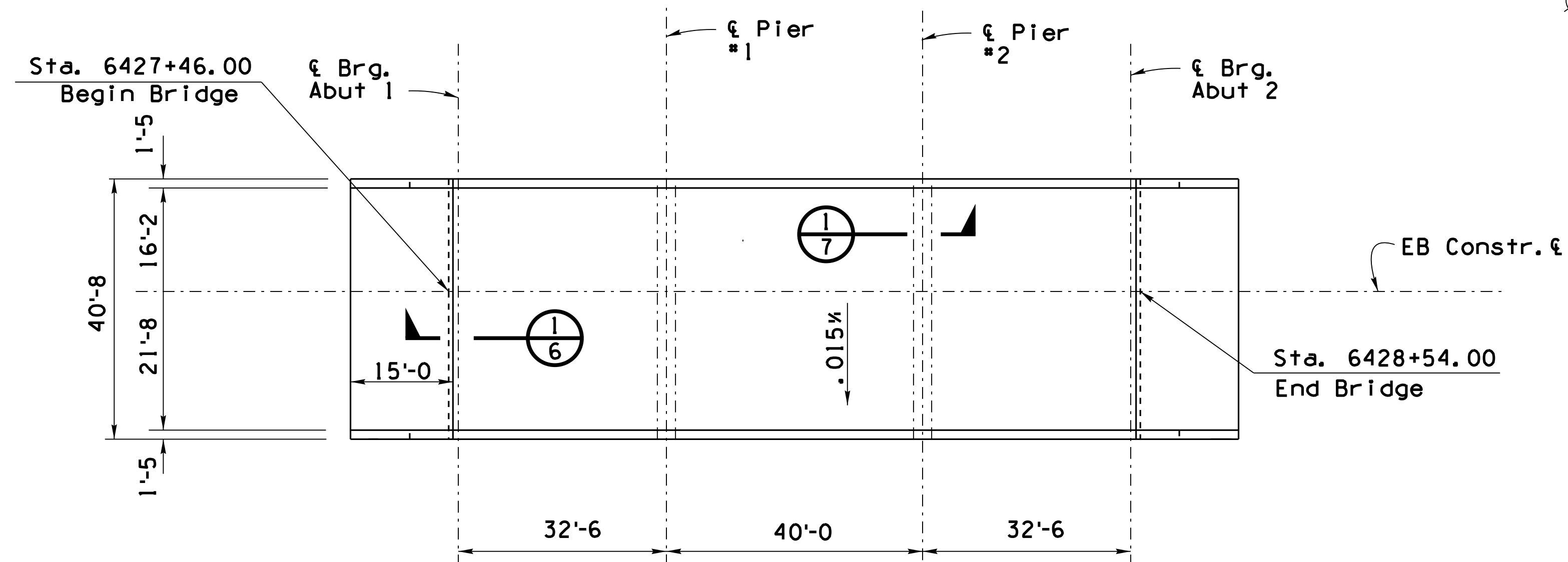


SECTION ALONG & PIER (TYP)
Scale: 3/8" = 1'-0"

BRIDGE DESIGN SECTION "B"		DATE	ARIZONA DEPARTMENT OF TRANSPORTATION INFRASTRUCTURE DELIVERY AND OPERATIONS DIVISION BRIDGE GROUP	
DESIGN	E. Hoque	08-21		
DRAWN	E. Hoque	08-21		
CHECKED	R. Cvijanovic	08-21		
APPROVED-SECTION LEADER		N. Viboolmate	08-21	
1-40	123.32	1259	LOCATION	
ROUTE	MILEPOST	STRUCTURE NO.	EAST SELIGMAN TI OP, EB/WB	
TRACS NO. F 0161 OIC			040-B(229)T	DWG. S-1.07 OF 12
				OF

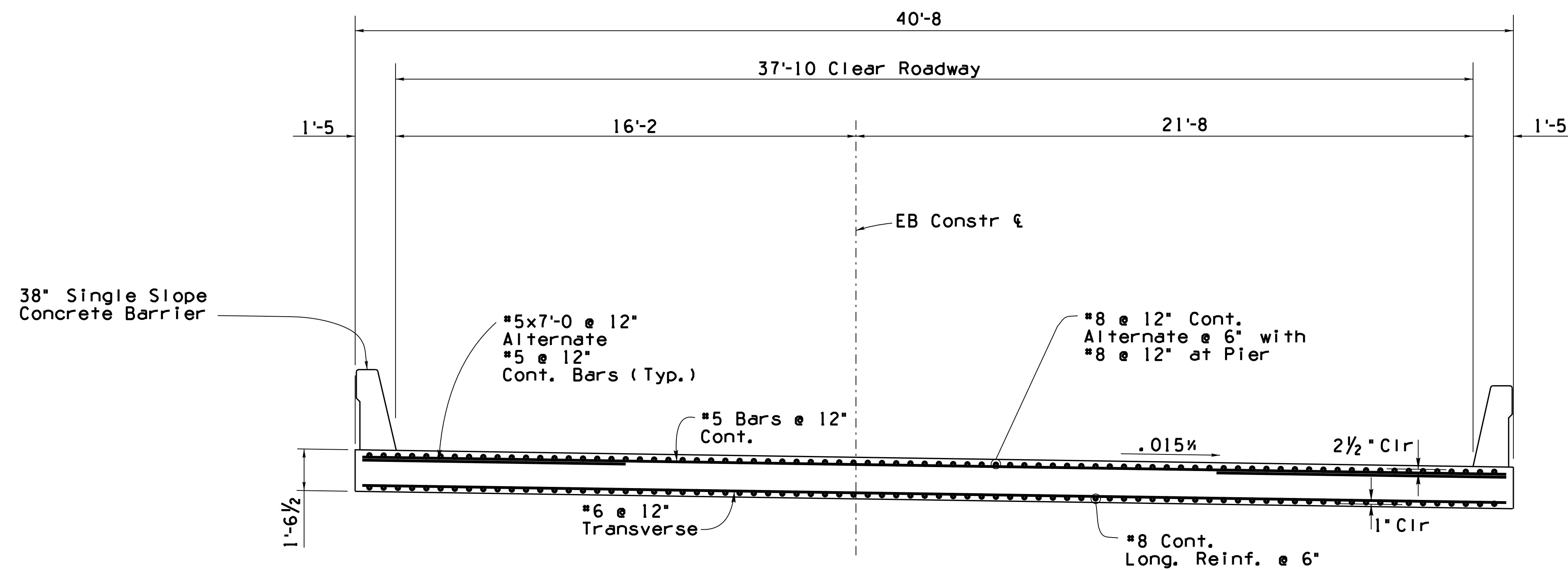
F.H.W.A. REGION	STATE	PROJECT NO.	SHEET NO.	TOTAL SHEETS	RECORD DRAWING
9	ARIZ.	040-B(229)T	63	87	

040 YV 122



DECK PLAN

Scale: 1" = 15'-0"



DECK REINFORCING

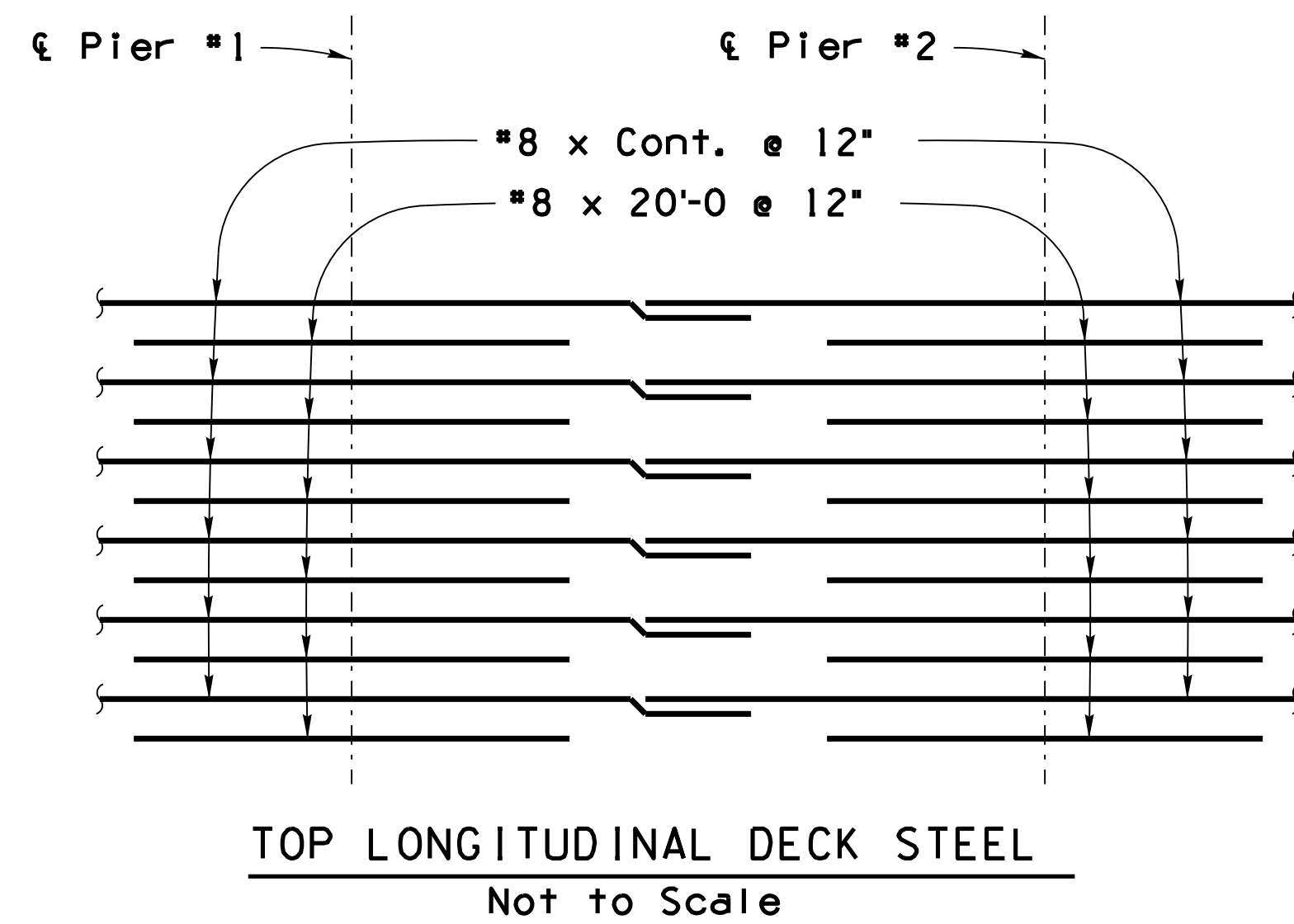
Scale: 3/8" = 1'-0"

BRIDGE DESIGN SECTION "B"		DATE	ARIZONA DEPARTMENT OF TRANSPORTATION INFRASTRUCTURE DELIVERY AND OPERATIONS DIVISION BRIDGE GROUP		
DESIGN	E. Hoque	08-21			
DRAWN	E. Hoque	08-21			
CHECKED	R. Cvijanovic	08-21			
APPROVED-SECTION LEADER	N. Viboolmate	08-21	STA 6428+ EAST SELIGMAN TI OP EB DECK DETAILS		
ROUTE	1-40	123.32			1259
TRACS NO. F 0161 OIC			040-B(229)T		DWG. 5-1.08 OF 12
					OF

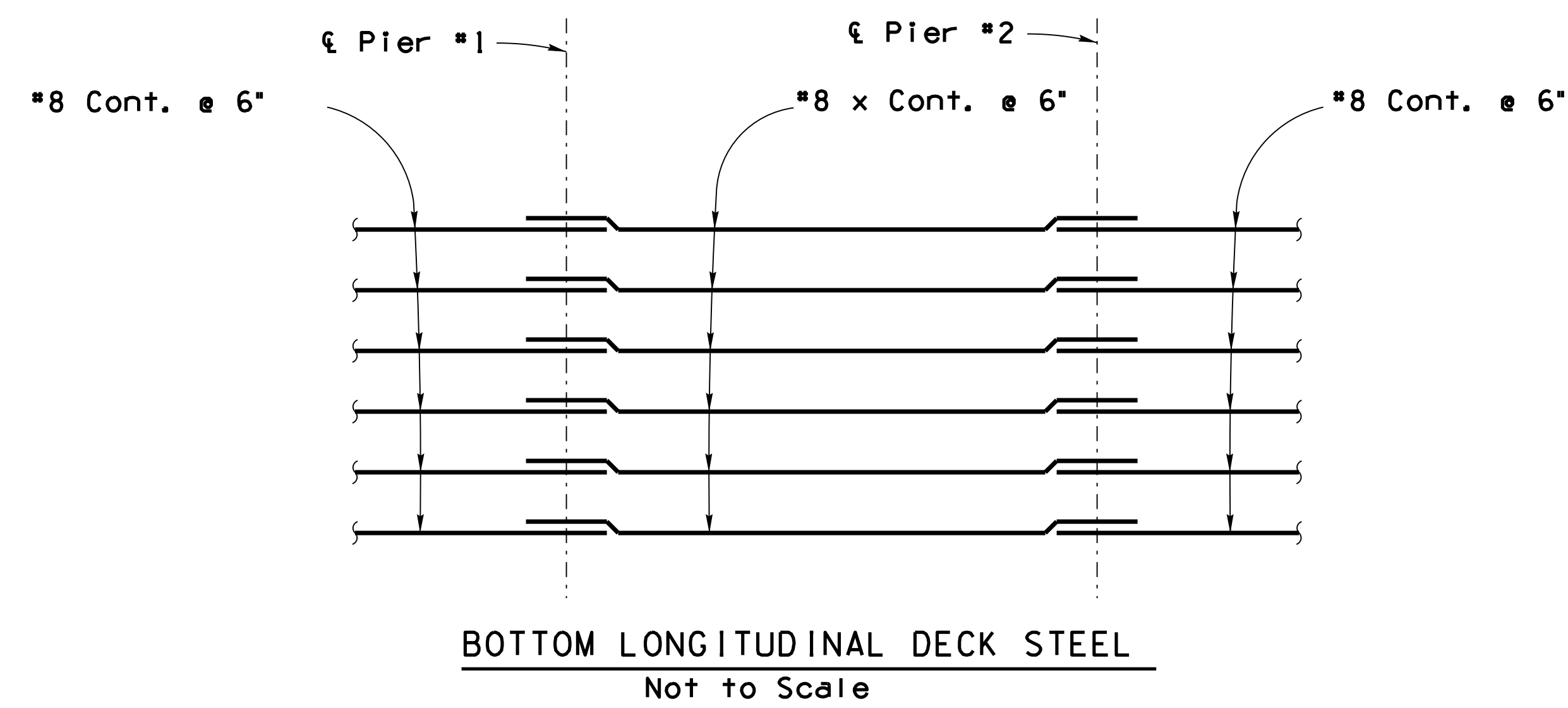
NO.1 DESCRIPTION OF REVISIONS DATE MADE BY NO.2 DESCRIPTION OF REVISIONS DATE MADE BY

F.H.W.A. REGION	STATE	PROJECT NO.	SHEET NO.	TOTAL SHEETS	RECORD DRAWING
9	ARIZ.	040-B(229)T	64	87	

040 YV 122



TOP LONGITUDINAL DECK STEEL
Not to Scale



BOTTOM LONGITUDINAL DECK STEEL
Not to Scale

SUPERSTRUCTURE BAR SPLICE NOTES:

All continuous horizontal bars in Deck Slab, Diaphragms and Barriers including transverse slab bars may be spliced if approved by the Engineer with the following limitations unless noted otherwise.

- ① Minimum lap length of bar splices shall be:

#4 bars	1'-4"	#6 bars	2'-7"
#5 bars	2'-2"	#8 bars	4'-1"
- ② Bars shall not be spliced within the required lap length of the adjacent bars.
- ③ Top longitudinal bars shall not be spliced within 8'-0" of € Piers.
- ④ No splices allowed for longitudinal bottom bars within 8'-0" either side of € Piers.

BARRIER BAR NOTE:

Cost of barrier bar embedded into deck is included in item No. 6011150 (L.F.) Single Slope Bridge Concrete Barrier and Transition (38").

DECK REINFORCEMENT NOTES:

All transverse deck reinforcing shall be placed normal to the Constr €.

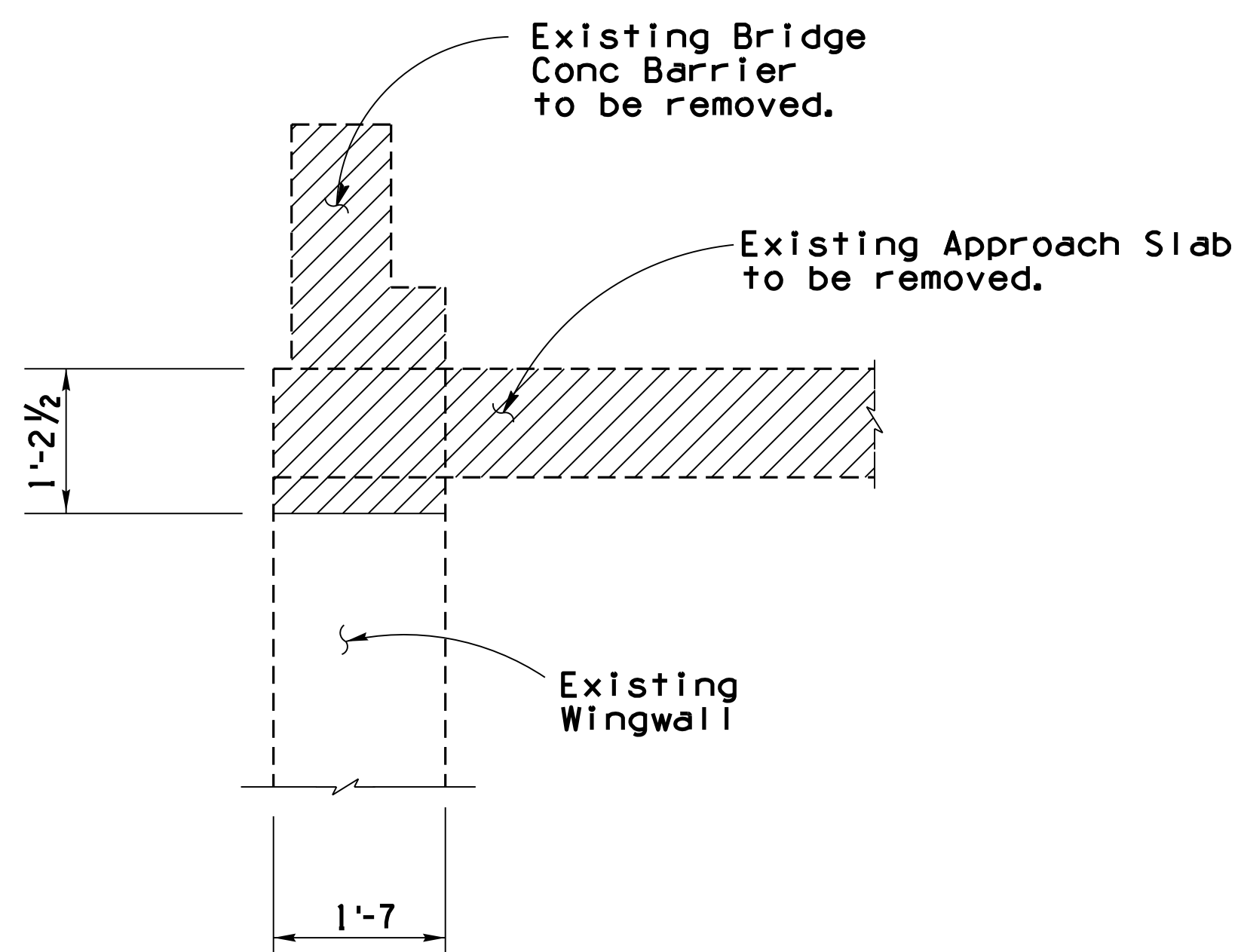
NO.1 | DESCRIPTION OF REVISIONS | DATE | MADE BY | NO.2 | DESCRIPTION OF REVISIONS | DATE | MADE BY

BRIDGE DESIGN SECTION "B"			ARIZONA DEPARTMENT OF TRANSPORTATION INFRASTRUCTURE DELIVERY AND OPERATIONS DIVISION BRIDGE GROUP					
DESIGN	E. Hoque	DATE	STA 6428+ EAST SELIGMAN TI OP EB DECK DETAILS 2					
DRAWN	E. Hoque	08-21						
CHECKED	R. Cvijanovic	08-21						
APPROVED-SECTION LEADER	N. Viboolmate	08-21						
ROUTE	1-40	MILEPOST	123.32	STRUCTURE NO.	1259	LOCATION	EAST SELIGMAN TI OP, EB/WB	
TRACS NO. F 0161 OIC		040-B(229)T		DWG. 5-1.09 OF 12		OF		

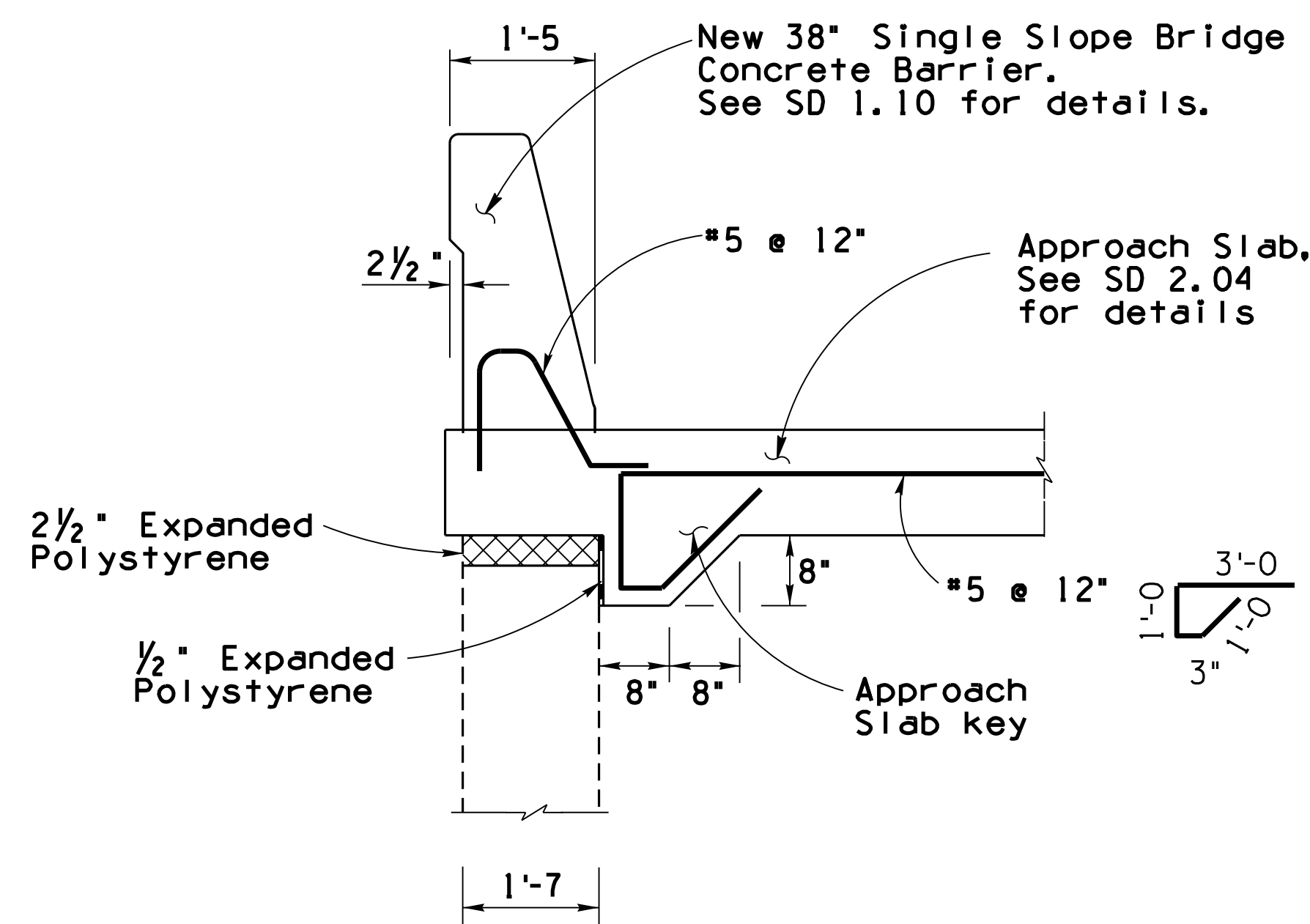
F.H.W.A. REGION	STATE	PROJECT NO.	SHEET NO.	TOTAL SHEETS	RECORD DRAWING
9	ARIZ.	040-B(229)T	65	87	

040 YV 122

NO.1 DESCRIPTION OF REVISIONS DATE MADE BY NO.2 DESCRIPTION OF REVISIONS DATE MADE BY



BARRIER & TOP WINGWALL REMOVAL
Scale: 3/4" = 1'-0" 1



BARRIER & TOP OF EXISTING WINGWALL REPLACEMENT
Scale: 3/4" = 1'-0" 2

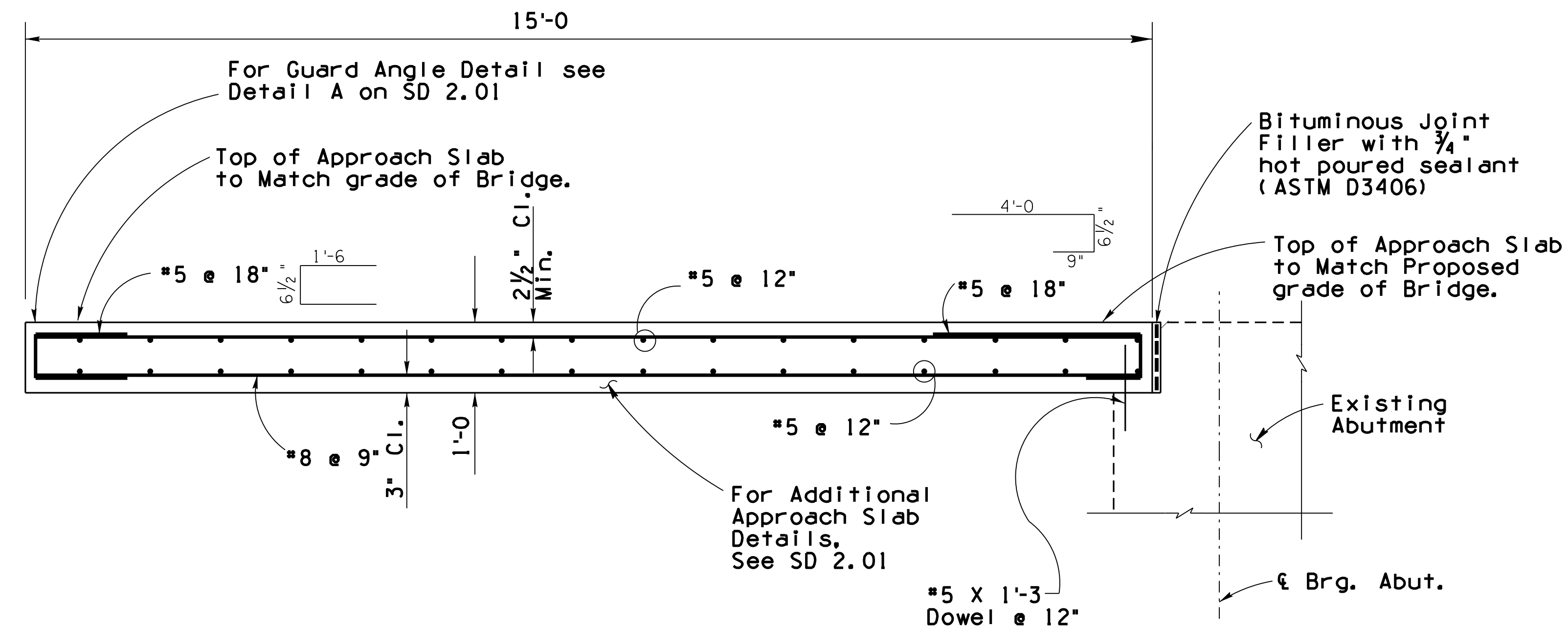
NOTES:

- Indicates Concrete Removal. See Removal Note on DWG. S-1.03
- Existing Concrete Barrier and Approach Slab including Reinforcement to be removed.
- Approach slab key cost is included in the approach slab bid item.

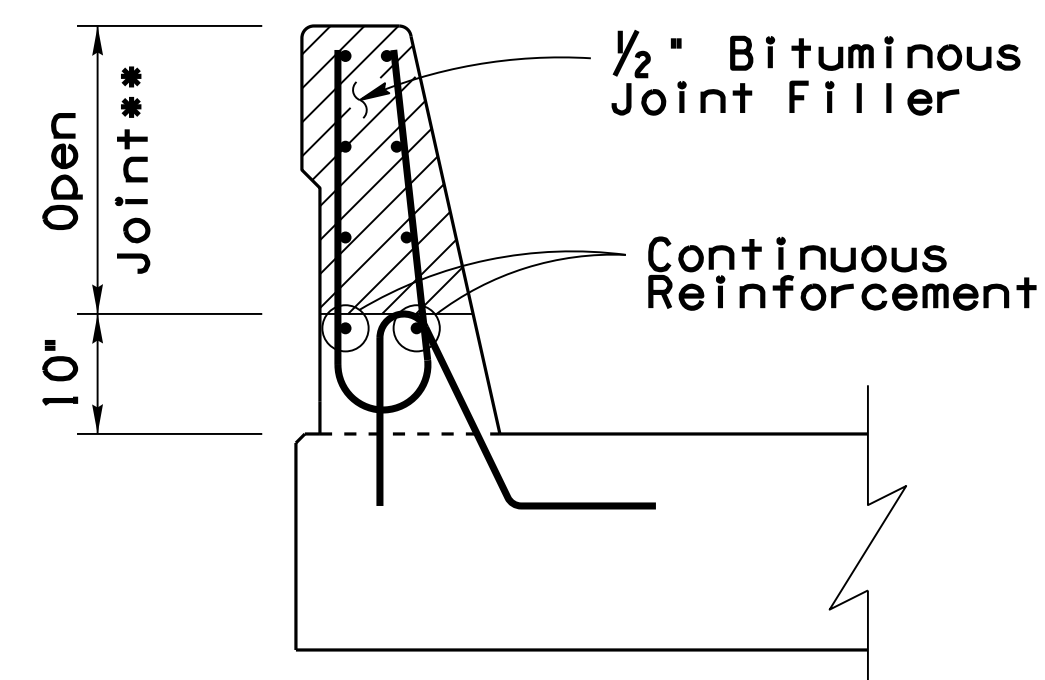
BRIDGE DESIGN SECTION "B"			DATE	ARIZONA DEPARTMENT OF TRANSPORTATION INFRASTRUCTURE DELIVERY AND OPERATIONS DIVISION BRIDGE GROUP		
DESIGN	E. Hoque	08-21				
DRAWN	E. Hoque	08-21				
CHECKED	R. Cvijanovic	08-21				
APPROVED-SECTION LEADER	N. Viboolmate	08-21		STA 6428+ EAST SELIGMAN TI OP EB APPROACH SLAB DETAILS		
1-40	123.32	1259	LOCATION	EAST SELIGMAN TI OP, EB/WB		DWG. S-1.10 OF 12
ROUTE	MILEPOST	STRUCTURE NO.			040-B(229)T	OF
TRACS NO. F 0161 OIC						

F.H.W.A. REGION	STATE	PROJECT NO.	SHEET NO.	TOTAL SHEETS	RECORD DRAWING
9	ARIZ.	040-B(229)T	66	87	

040 YV 122

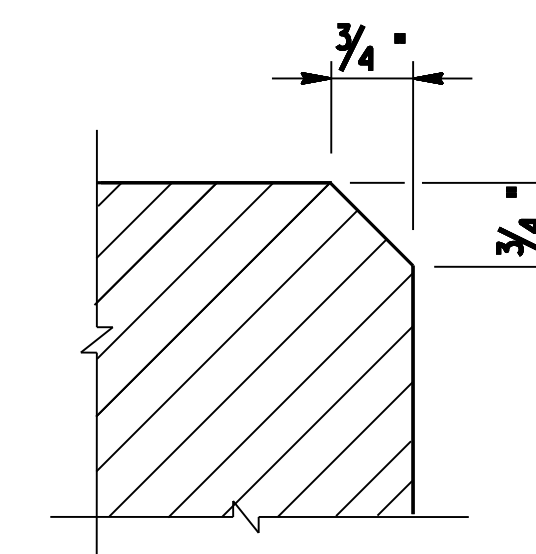


NEW APPROACH SLAB
Scale: 3/4" = 1'-0" (1)



BARRIER JOINT DETAIL
Scale: 3/4" = 1'-0" (2)

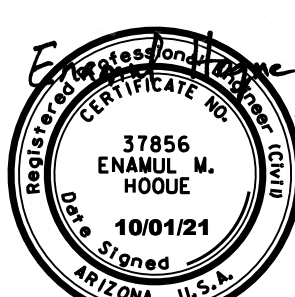
** Open Joint in Barrier shall be constructed in two concrete pours. Bit Jt Filler shall not be suspended in barrier formwork.



Chamfer all exposed corners thus unless otherwise noted. This note applicable to all sheets pertaining to the structure.

CHAMFER DETAIL

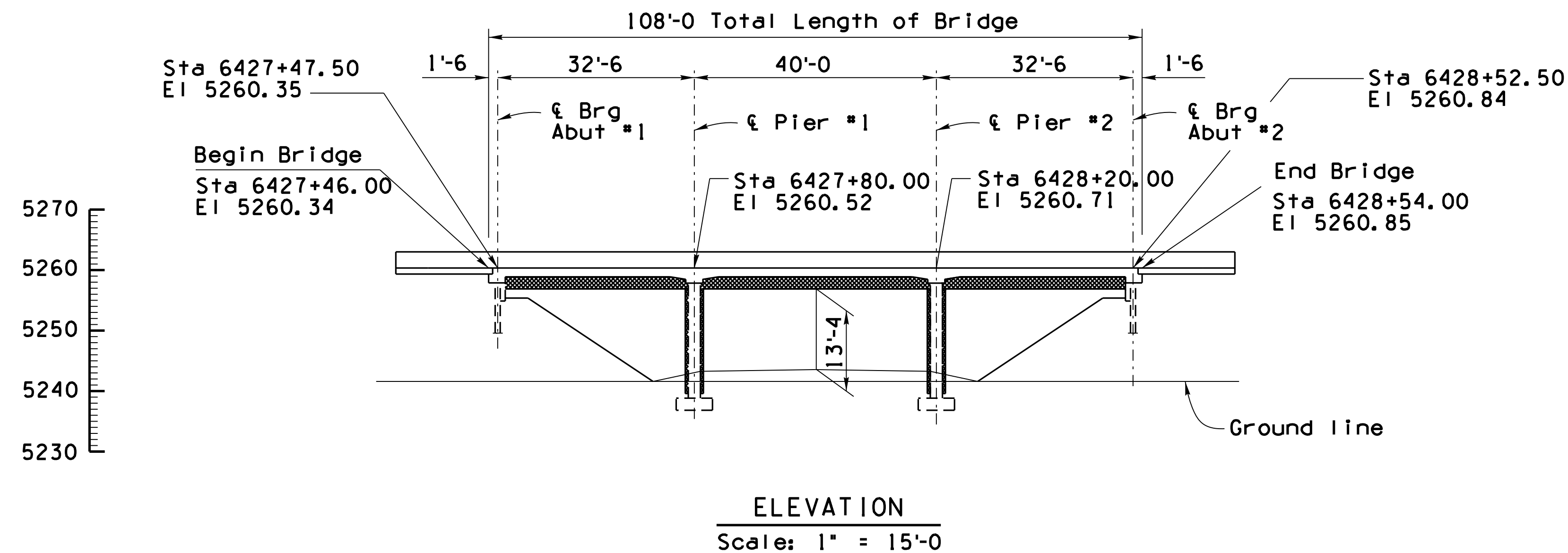
BRIDGE DESIGN SECTION "B"			DATE	ARIZONA DEPARTMENT OF TRANSPORTATION INFRASTRUCTURE DELIVERY AND OPERATIONS DIVISION BRIDGE GROUP	
DESIGN	E. Hoque	08-21		STA 6428+ EAST SELIGMAN TI OP EB APPROACH SLAB DETAILS 2	
DRAWN	E. Hoque	08-21			
CHECKED	R. Cvijanovic	08-21			
APPROVED-SECTION LEADER	N. Viboolmate	08-21			
1-40	123.32	1259	LOCATION	EAST SELIGMAN TI OP, EB/WB	
ROUTE	MILEPOST	STRUCTURE NO.			
TRACS NO. F 0161 OIC			040-B(229)T		OF



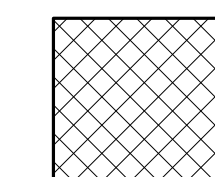
DWG. S-1.11 OF 12

F.H.W.A. REGION	STATE	PROJECT NO.	SHEET NO.	TOTAL SHEETS	RECORD DRAWING
9	ARIZ.	040-B(229)T	67	87	

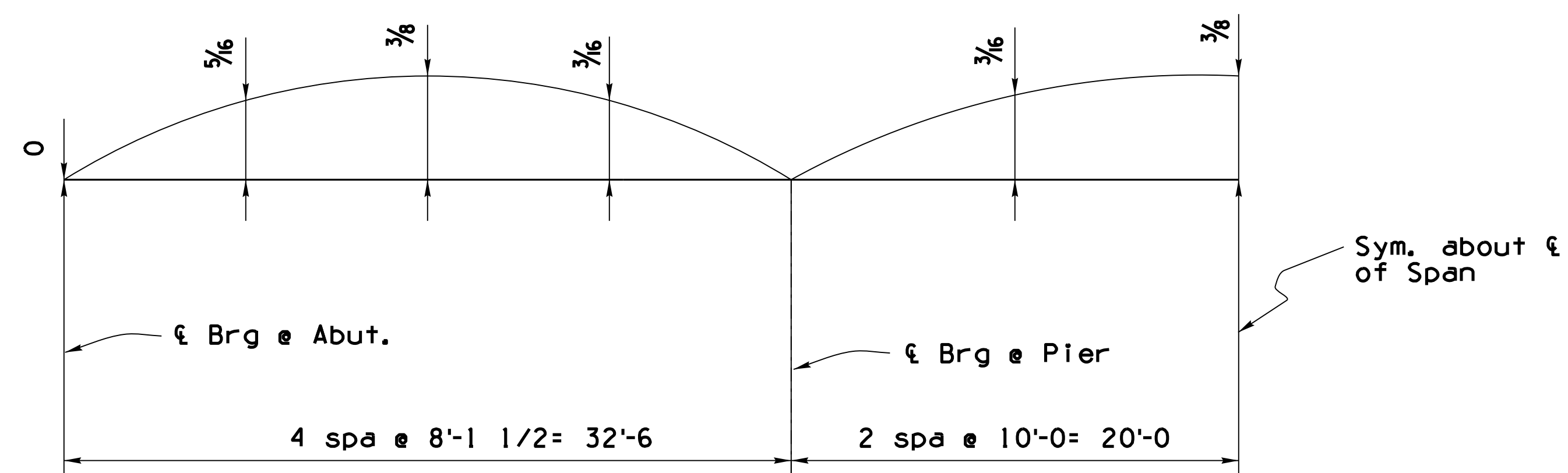
040 YV 122



LEGEND:



False Work, 2'-0 depth considered



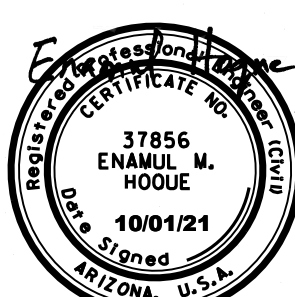
SCREED ELEVATION NOTES:

The Contractor shall survey the top of the existing deck at the Constr ξ and at edges of bridge deck prior to any work being done.

All survey points shall be conducted at 2'-6" intervals.

Survey data shall be submitted to the Engineer for review and analysis.

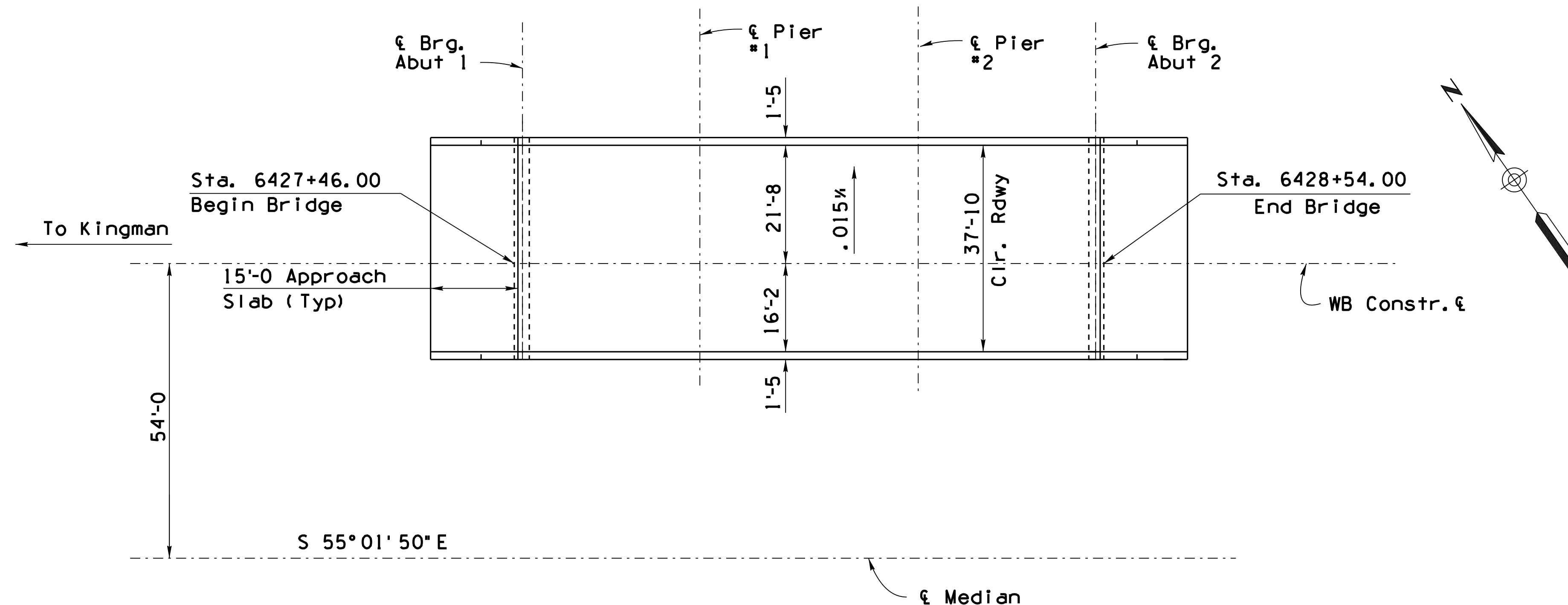
The Engineer will then provide the Contractor with Screed Elevations.

BRIDGE DESIGN SECTION "B"			DATE	ARIZONA DEPARTMENT OF TRANSPORTATION INFRASTRUCTURE DELIVERY AND OPERATIONS DIVISION BRIDGE GROUP	
DESIGN	E. Hoque	08-21	STA 6428+ EAST SELIGMAN TI OP EB FALSEWORK & SCREED ELEVATIONS 		
DRAWN	E. Hoque	08-21			
CHECKED	R. Cvijanovic	08-21			
APPROVED-SECTION LEADER	N. Viboolmate	08-21			
ROUTE	1-40	MILEPOST	123.32	STRUCTURE NO.	1259
TRACS NO. F 0161 OIC			040-B(229)T		DWG. S-1.12 OF 12

KINGMAN-ASHFORK HWY.
 INTERSTATE 40 MP 123
 YAVAPAI COUNTY

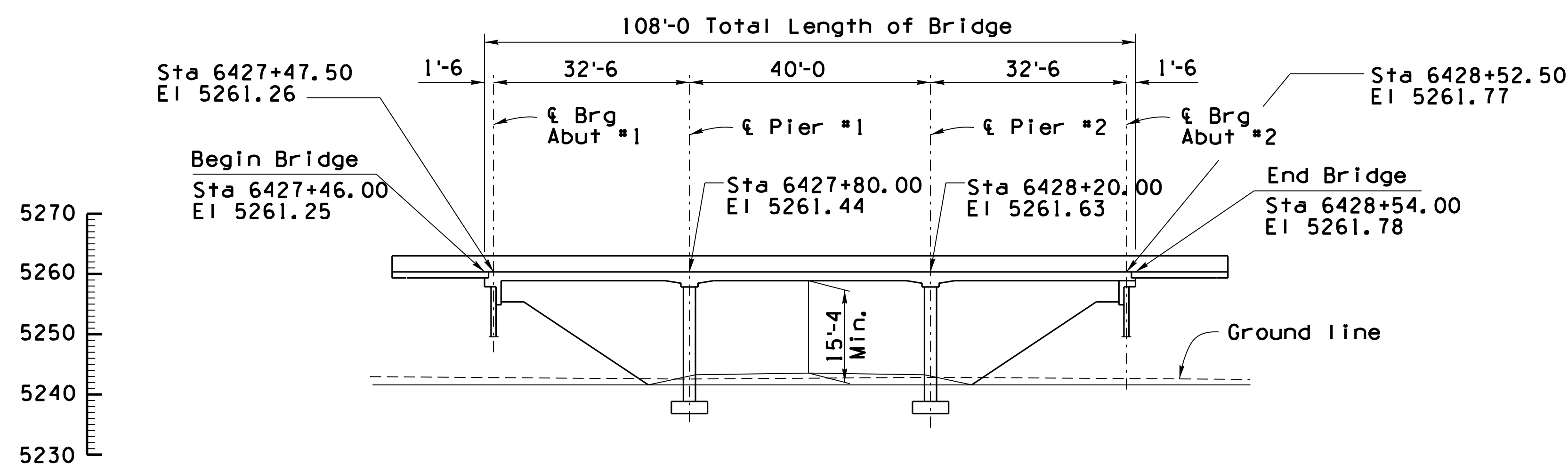
F.H.W.A. REGION	STATE	PROJECT NO.	SHEET NO.	TOTAL SHEETS	RECORD DRAWING
9	ARIZ.	040-B(229)T	68	87	

040 YV 122



LOCATION PLAN
 Three Span Continuous Concrete Slab Bridge
 Skew = 0°
 Scale: 1" = 15'-0"

TITLE	DWG NO
PLAN AND ELEVATION	S-2.01
TYP SECTION, NOTES & QUANTITIES	S-2.02
REMOVAL DETAILS	S-2.03
ABUT. #1 PLAN & ELEVATION	S-2.04
ABUT. #2 PLAN & ELEVATION	S-2.05
ABUTMENT DETAILS	S-2.06
PIER DETAILS	S-2.07
DECK DETAILS	S-2.08 & S-2.09
APPROACH SLAB DETAILS	S-2.10 & S-2.11
FALSEWORK & SCREED ELEVATIONS	S-2.12



ELEVATION
 Scale: 1" = 15'-0"

LEGEND:

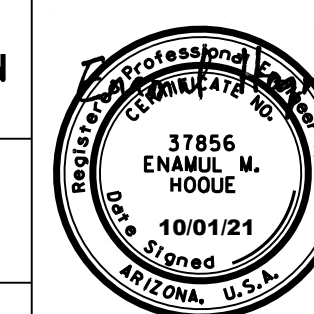
- Title/Detail Marker — Detail Number
- Section Number
- Section Marker — Drawing Number
- Elevation Number
- Elevation Marker — Drawing Number

PROFILE NOTE:

The as-built elevations for existing features have been adjusted by +2.83 feet as a best fit to survey data. The Contractor shall field verify existing elevations.

Original Bridges Built by Arizona Highway Department in 1967 under Project No. 1-40-2(32)

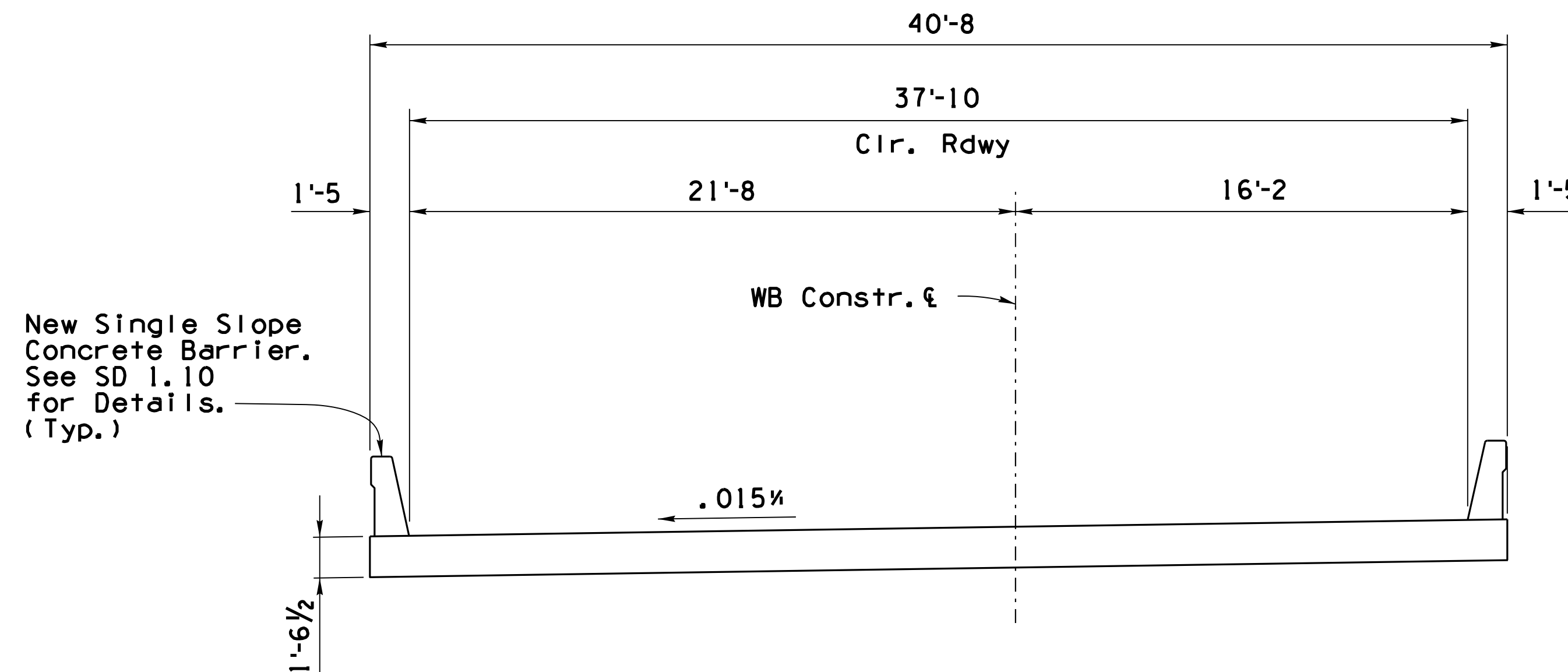
BRIDGE DESIGN SECTION "B"			DATE	ARIZONA DEPARTMENT OF TRANSPORTATION INFRASTRUCTURE DELIVERY AND OPERATIONS DIVISION BRIDGE GROUP	
DESIGN	E. Hoque	08-21	STA 6428+ EAST SELIGMAN TI OP WB PLAN AND ELEVATION		
DRAWN	E. Hoque	08-21			
CHECKED		08-21			
APPROVED-SECTION LEADER	N. Viboolmate	08-21			
ROUTE	123.32	1260	LOCATION	EAST SELIGMAN TI OP, EB/WB	
TRACS NO. F 0161 OIC			040-B(229)T		DWG. S-2.01 OF 12



NO.1 DESCRIPTION OF REVISIONS
 MADE BY DATE
 NO.2 DESCRIPTION OF REVISIONS
 MADE BY DATE

F.H.W.A. REGION	STATE	PROJECT NO.	SHEET NO.	TOTAL SHEETS	RECORD DRAWING
9	ARIZ.	040-B(229)T	69	87	

040 YV 122



TYPICAL SECTION
(Looking Ahead on Station)
Scale: 1/4" = 1'-0"

APPROXIMATE QUANTITIES

ITEM	UNITS	TOTAL	ITEM NUMBER	RECORD DRAWING
Removal of Structural Concrete	CY	320	2020009	
Structural Excavation	CY	50	2030501	
Structure Backfill	CY	15	2030506	
Structural Concrete (Class S) (F'c = 4500)	CY	275	6010005	
Groove Bridge Deck	SY	450	6010831	
38" Single Slope Concrete Bridge Barrier and Trans.	LF	274	6011150	
Approach Slab (SD 2.01)	SF	1220	6011371	
Reinforcing Steel (Epoxy Coated)	LB	56550	6050012	
Place Dowels	EA	76	6050101	

GENERAL NOTES:

Construction Specifications - Arizona Department of Transportation Standard Specifications for Road and Bridge Construction, Latest Edition.

Design Specifications - AASHTO LRFD Bridge Design Specifications, 8th Edition 2017 and 2018 Errata.

All Concrete shall be Class "S".

Reinforcing steel shall conform to ASTM Specification A615. All reinforcing shall be furnished as Grade 60.

All bends and hooks shall meet the requirements of AASHTO Article 5.10.2. All bend dimensions for reinforcing steel shall be out-to-out of bars. All placement dimensions for reinforcing steel shall be to center of bars unless noted otherwise.

All reinforcing steel shall have 2 inch clear cover unless otherwise noted. Where existing reinforcing has less than above clearance, new reinforcing clearance may be reduced as approved by the Engineer.

Chamfer all exposed corners 3/4 inch unless noted otherwise.

Dimensions shall not be scaled from drawings.

All damage by the Contractor's operation during work on the bridge shall be repaired by the Contractor at no additional cost to the Department. The Contractor shall submit a method of repair to the Engineer for approval prior to construction.

All stations, elevations and dimensions are based on Record Drawing plans. Contractor shall verify all relevant dimensions in field prior to fabrication of all materials.

Barriers shall not be slip formed.

Existing H-2-1 rail & post removal cost is included in removal of structural concrete cost.

Stresses:

- Superstructure Deck except Barriers..... f'c = 4,500 psi
- Barriers..... f'c = 4,000 psi
- All other Class "S" Concrete..... f'c = 3,500 psi
- Grade 60 Longitudinal deck reinforcement.. fs = 28,000 psi
- All other Grade 60 reinforcement..... fy = 60,000 psi

Deck falsework cost is considered included in the Project Contract Items. Any slope paving removal required will be considered included in the deck falsework cost. Traffic will be restricted on the crossroad at the bridges during construction.

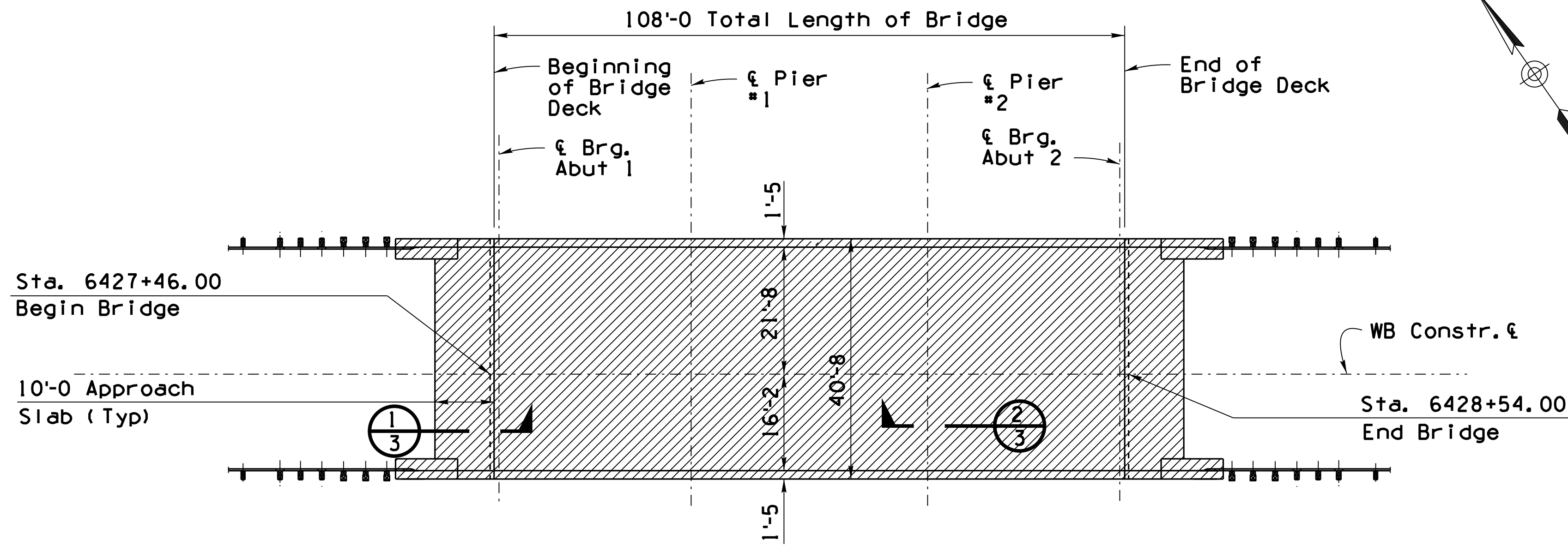
SD SHEET LIST:

SD 1.01, SD 2.01, SD 3.01

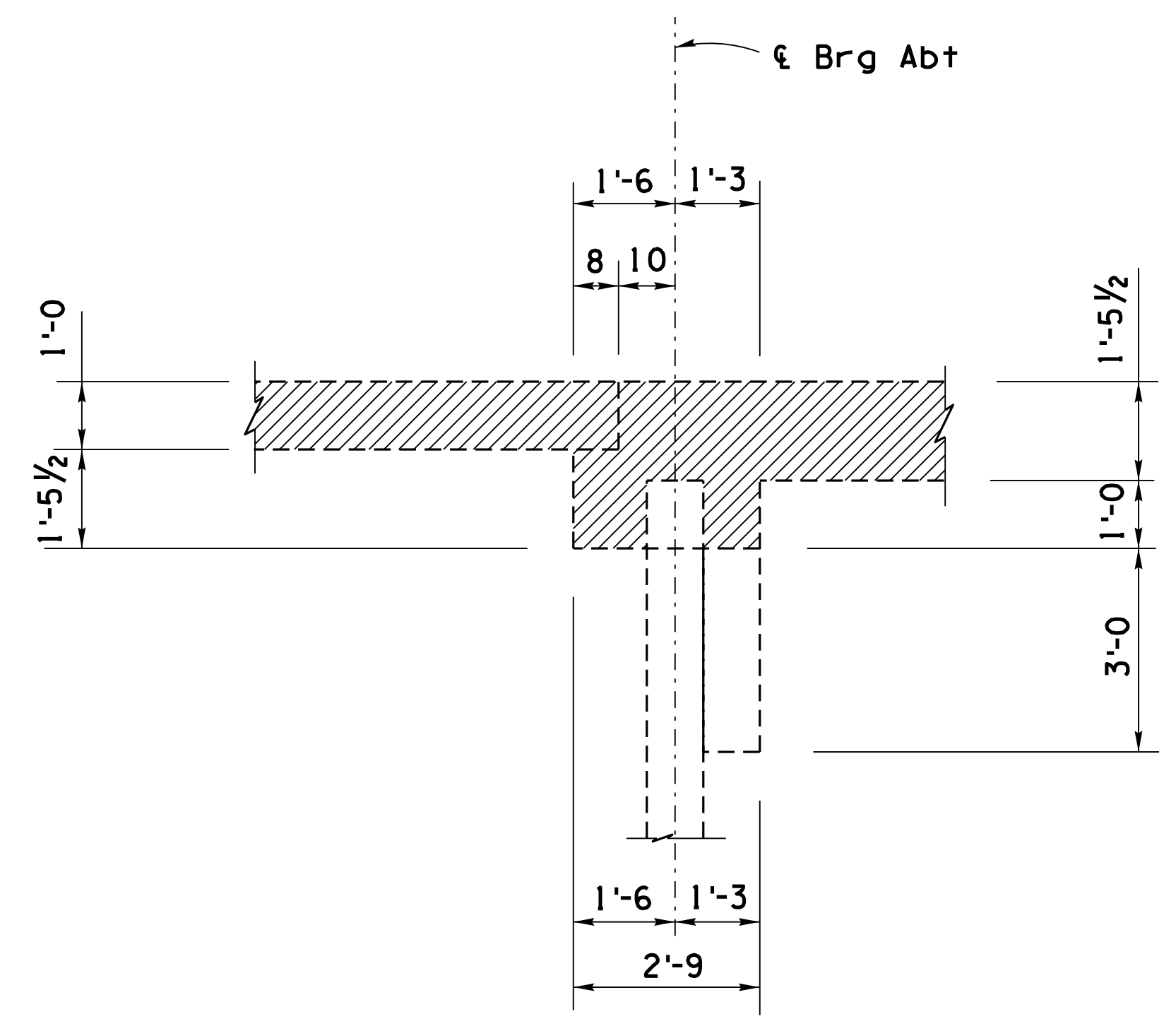
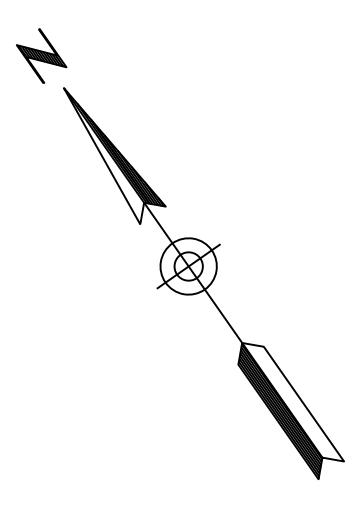
BRIDGE DESIGN SECTION "B"		DATE	ARIZONA DEPARTMENT OF TRANSPORTATION INFRASTRUCTURE DELIVERY AND OPERATIONS DIVISION BRIDGE GROUP	
DESIGN	E. Hoque	08-21		
DRAWN	E. Hoque	08-21		
CHECKED		08-21		
APPROVED-SECTION LEADER	N. Viboolmate	08-21	STA 6428+ EAST SELIGMAN TI OP WB TYP SECTION, NOTES & QUANTITIES	
1-40	123.32	1260	LOCATION EAST SELIGMAN TI OP, EB/WB	
ROUTE	MILEPOST	STRUCTURE NO.	DWG. S-2.02 OF 12	
TRACS NO. F 0161 OIC			040-B(229)T	
			OF	

F.H.W.A. REGION	STATE	PROJECT NO.	SHEET NO.	TOTAL SHEETS	RECORD DRAWING
9	ARIZ.	040-B(229)T	70	87	

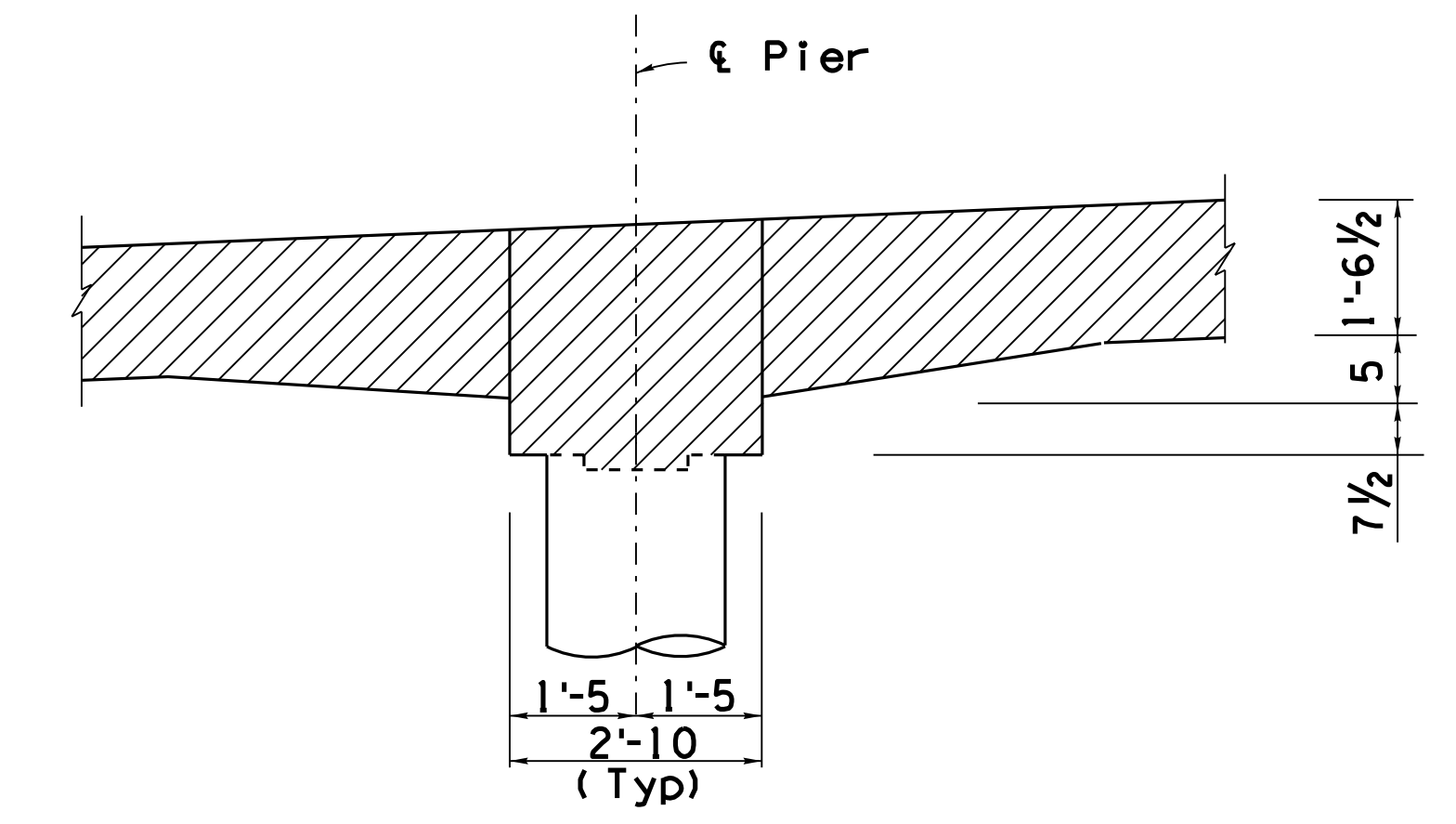
040 YV 122



DECK PLAN
Skew = 0°
Scale: 1" = 15'-0"



SECTION 1
Scale: 1/2" = 1'-0"



SECTION 2
Scale: 3/4" = 1'-0"

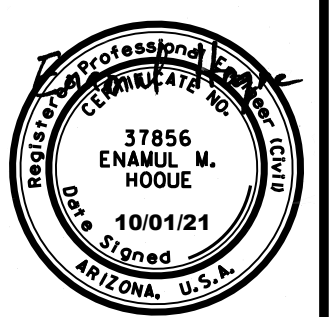
REMOVAL NOTES:

Denote removal.

Remove deck, railings, dados, approach slabs and top of abutment.

The existing H-2-1 rail and posts shall be the property of the contractor.

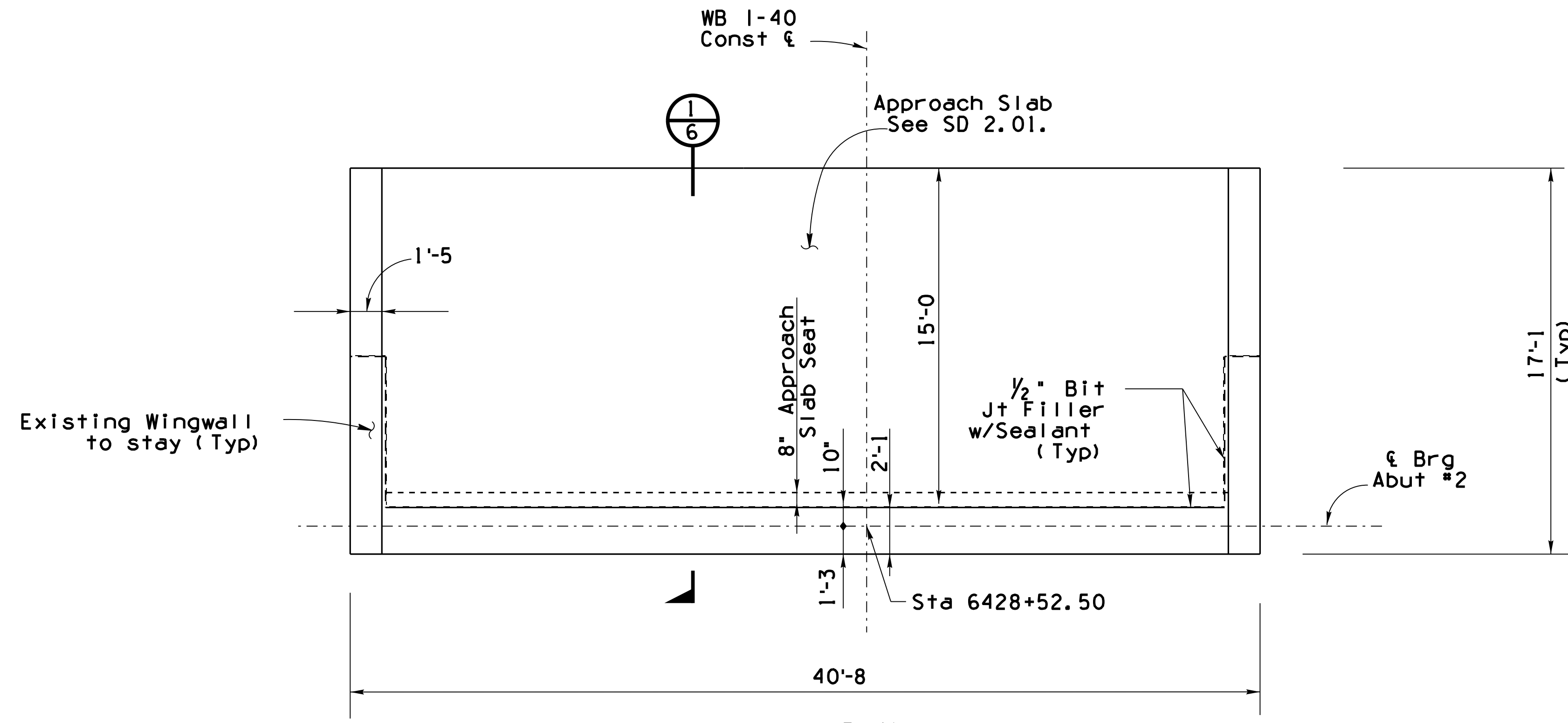
BRIDGE DESIGN SECTION "B"			DATE	ARIZONA DEPARTMENT OF TRANSPORTATION INFRASTRUCTURE DELIVERY AND OPERATIONS DIVISION BRIDGE GROUP	
DESIGN	E. Hoque	08-21		STA 6428+ EAST SELIGMAN TI OP WB REMOVAL DETAILS	
DRAWN	E. Hoque	08-21			
CHECKED		08-21			
APPROVED-SECTION LEADER	N. Viboolmate	08-21			
ROUTE	123.32	1260	LOCATION	EAST SELIGMAN TI OP, EB/WB	
TRACS NO. F 0161 OIC			040-B(229)T		DWG. S-2.03 OF 12



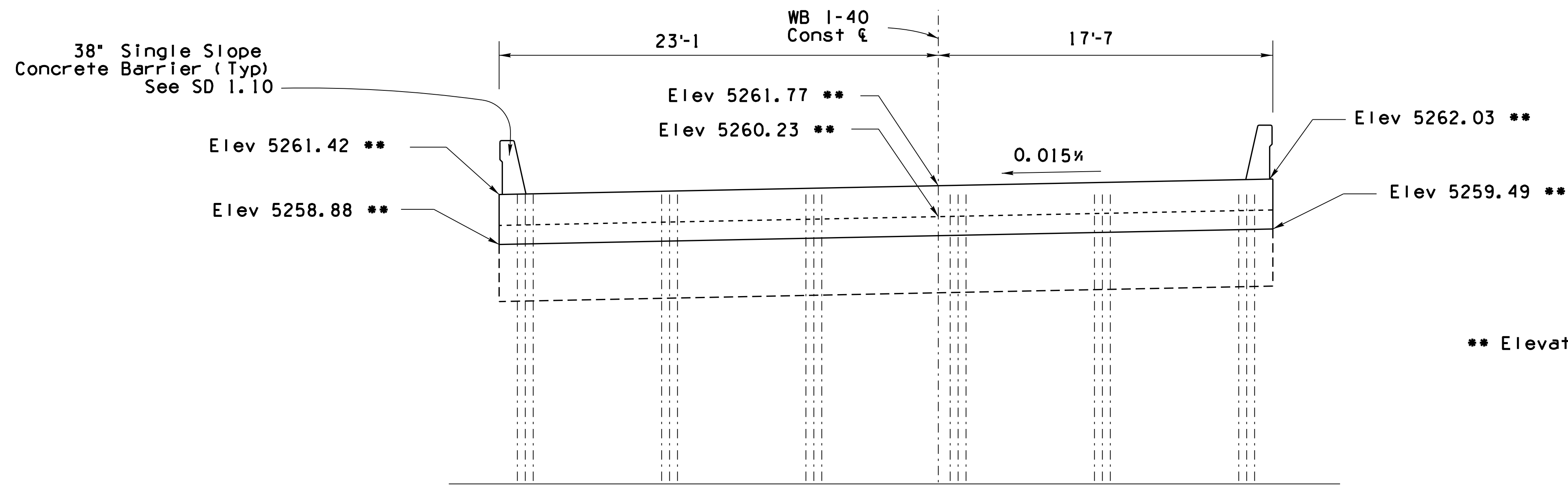
NO.1 DESCRIPTION OF REVISIONS
MADE BY
DATE
NO.2 DESCRIPTION OF REVISIONS
MADE BY
DATE

F.H.W.A. REGION	STATE	PROJECT NO.	SHEET NO.	TOTAL SHEETS	RECORD DRAWING
9	ARIZ.	040-B(229)T	72	87	

040 YV 122



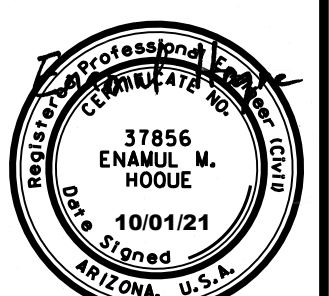
PLAN
Scale: 1/4" = 1'-0"



ELEVATION
(Looking Forward on Station)
Scale: 1/4" = 1'-0"

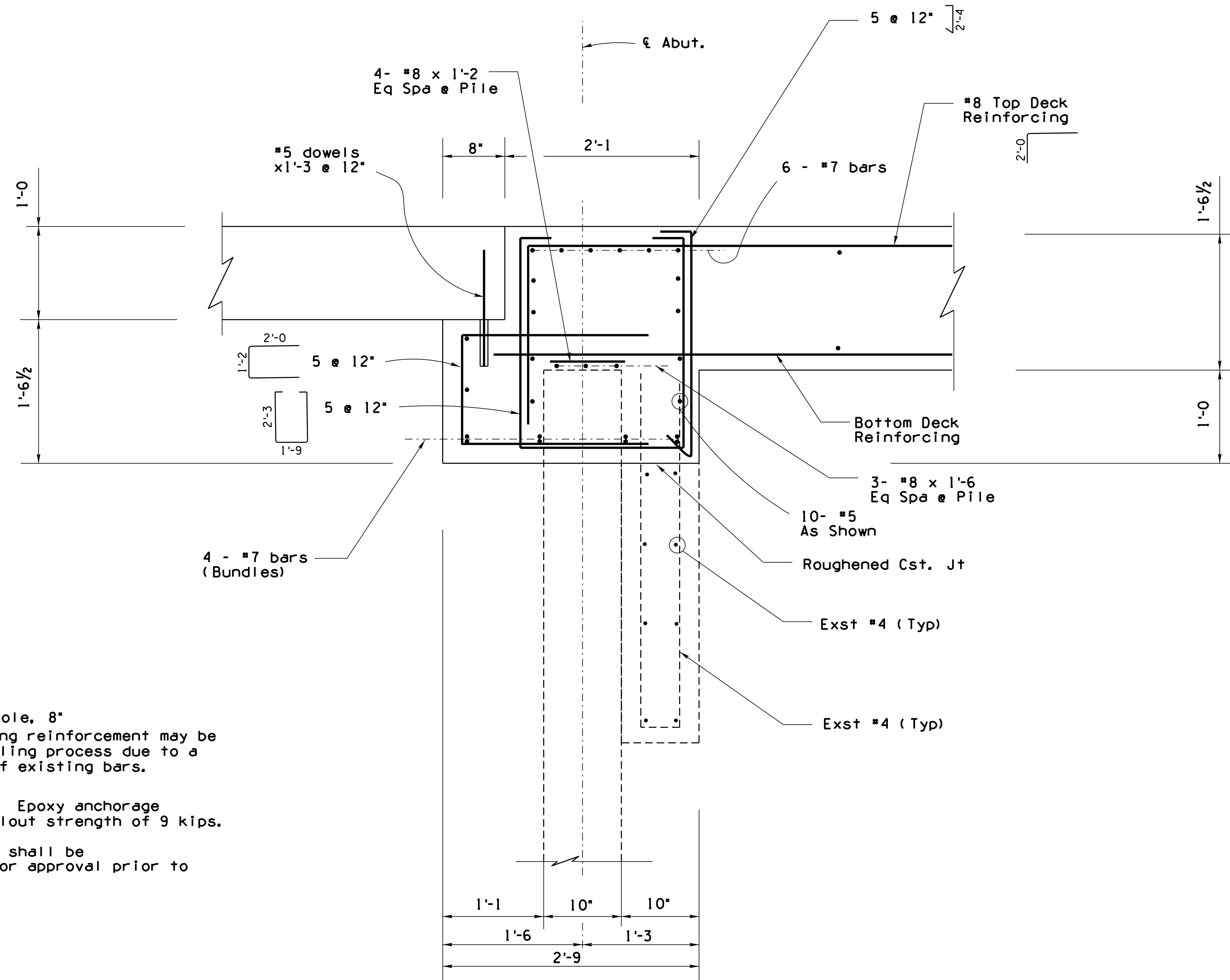
** Elevation at CL of Abutment

BRIDGE DESIGN SECTION "B"			DATE	ARIZONA DEPARTMENT OF TRANSPORTATION INFRASTRUCTURE DELIVERY AND OPERATIONS DIVISION BRIDGE GROUP	
DESIGN	E. Hoque	08-21	STA 6428+ EAST SELIGMAN TI OP WB ABUTMENT #2 PLAN & ELEVATION		
DRAWN	E. Hoque	08-21			
CHECKED		08-21			
APPROVED-SECTION LEADER	N. Viboolmate	08-21			
ROUTE	123.32	1260	LOCATION	EAST SELIGMAN TI OP, EB/WB	
TRACS NO. F 0161 OIC			040-B(229)T		DWG. S-2.05 OF 12



F.H.W.A. REGION	STATE	PROJECT NO.	SHEET NO.	TOTAL SHEETS	RECORD DRAWING
9	ARIZ.	040-B(229)T	73	87	

040 YV 122



DOWEL NOTE:

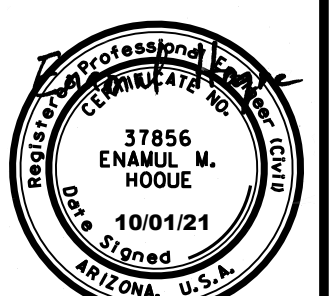
Existing Concrete - Drill $\frac{1}{8}$ " hole, 8" deep for #5 dowels. Existing reinforcement may be encountered during the drilling process due to a variance in the placement of existing bars.

Epoxy Dowel in hole with an approved epoxy adhesive. Epoxy anchorage shall develop a tensile pullout strength of 9 kips.

Details of anchorage system shall be submitted to the Engineer for approval prior to installation.

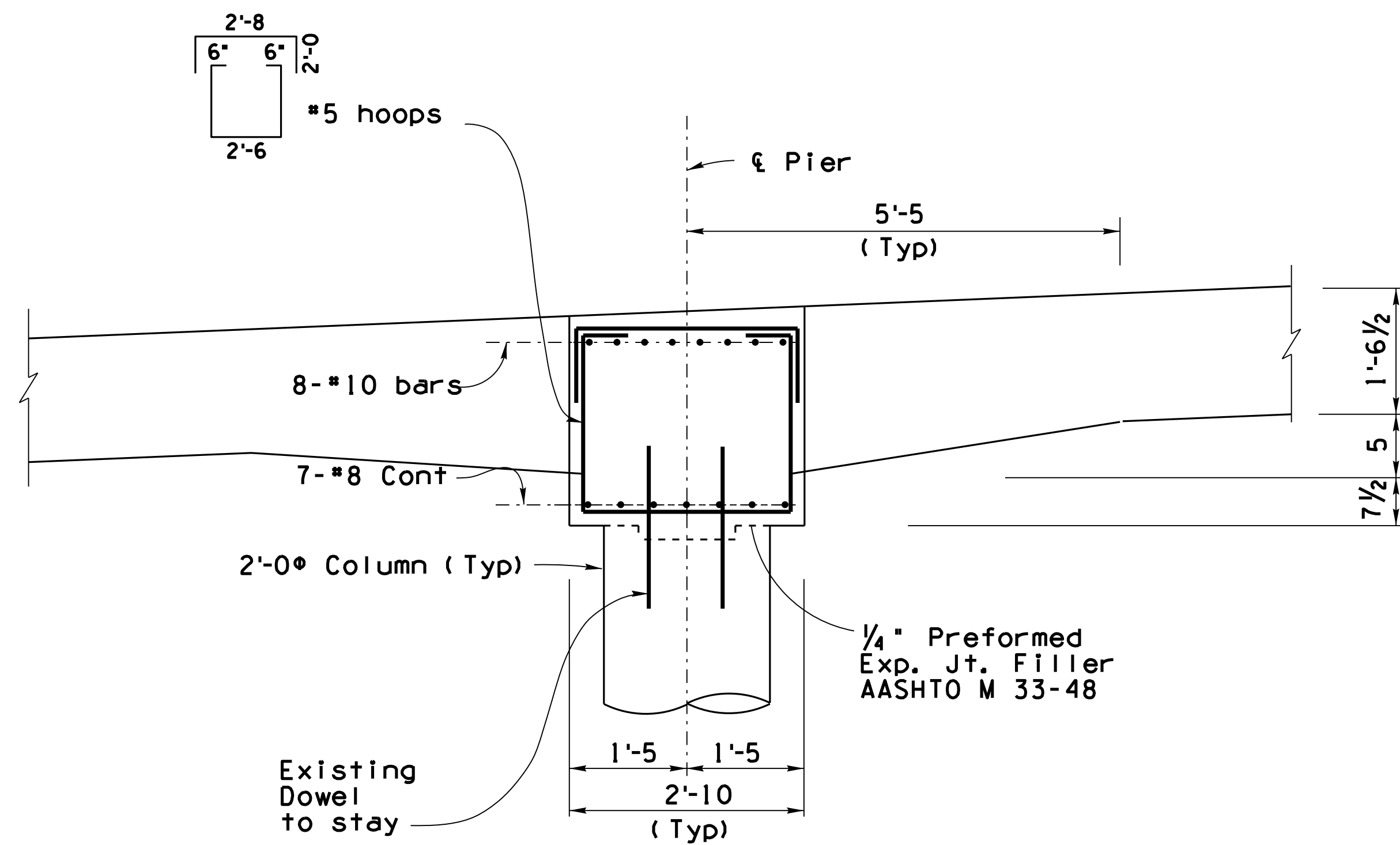
SECTION 1
Scale: $1\frac{1}{2}" = 1'-0"$

BRIDGE DESIGN SECTION "B"			ARIZONA DEPARTMENT OF TRANSPORTATION INFRASTRUCTURE DELIVERY AND OPERATIONS DIVISION BRIDGE GROUP	
DESIGN	E. Hoque	08-21	STA 6428+ EAST SELIGMAN TI OP WB ABUTMENT DETAILS	
DRAWN	E. Hoque	08-21		
CHECKED		08-21		
APPROVED-SECTION LEADER	N. Viboolmate	08-21		
ROUTE	MILEPOST	STRUCTURE NO.	LOCATION	DWG. S-206 OF 12 040-B(229)T OF
1-40	123.32	1260	EAST SELIGMAN TI OP, EB/WB	
TRACS NO. F 0161 OIC				



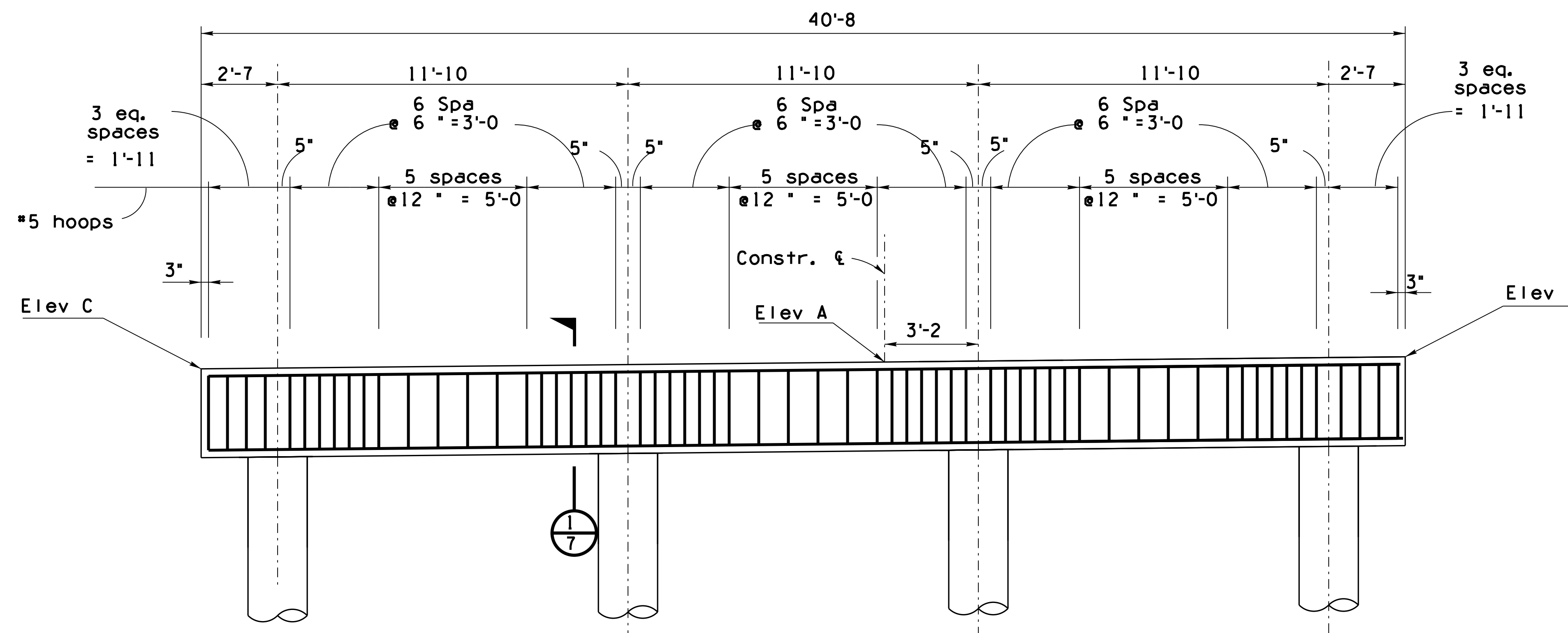
F.H.W.A. REGION	STATE	PROJECT NO.	SHEET NO.	TOTAL SHEETS	RECORD DRAWING
9	ARIZ.	040-B(229)T	74	87	

040 YV 122



	Elev A	Elev B	Elev C
Pier #1	5261.44	5261.70	5261.09
Pier #2	5261.63	5261.89	5261.28

SECTION 1
Scale: 3/4" = 1'-0"

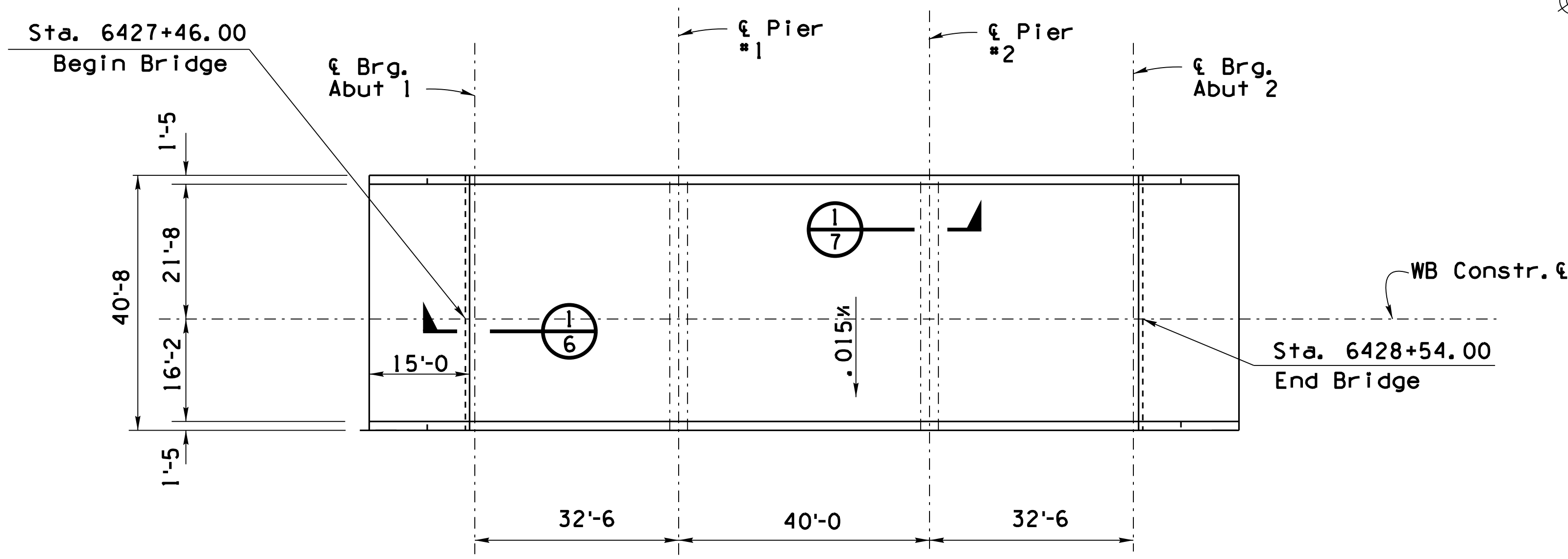


SECTION ALONG & PIER (TYP)
Scale: 3/8" = 1'-0"

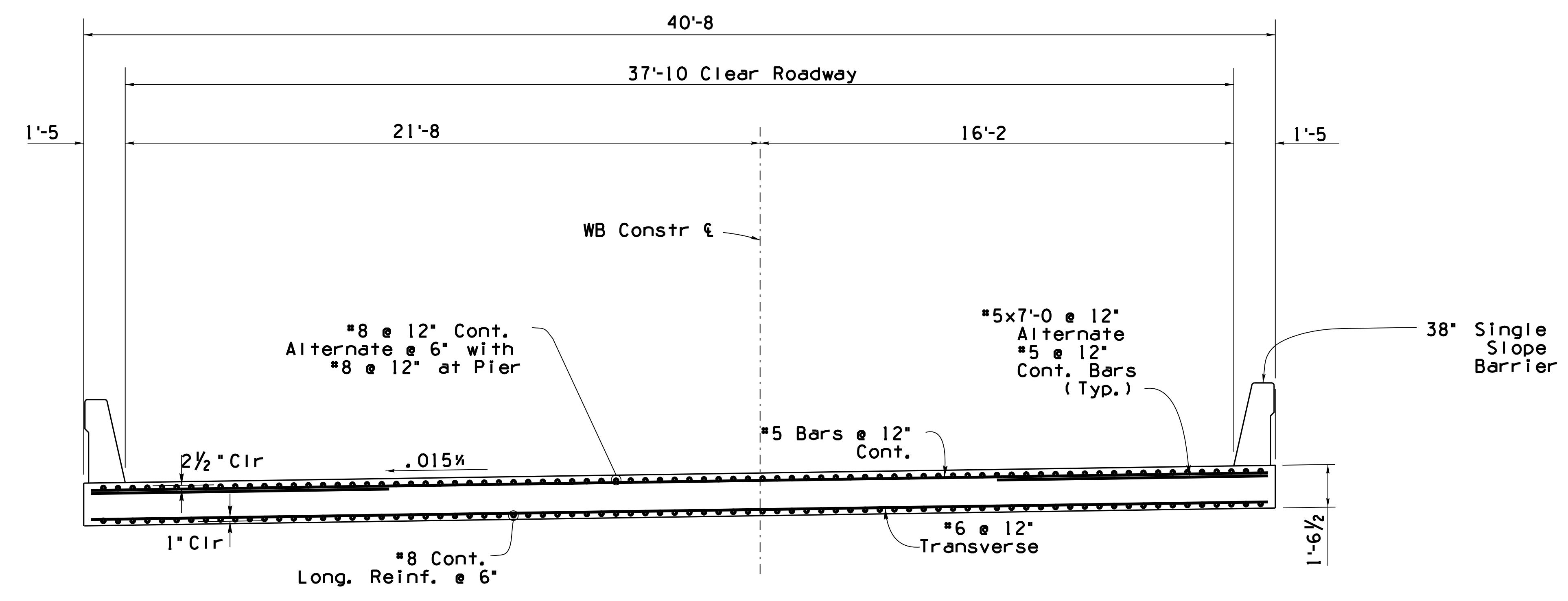
BRIDGE DESIGN SECTION "B"		DATE	ARIZONA DEPARTMENT OF TRANSPORTATION INFRASTRUCTURE DELIVERY AND OPERATIONS DIVISION BRIDGE GROUP STA 6428+ EAST SELIGMAN TI OP WB PIER DETAILS		
DESIGN	E. Hoque	08-21			
DRAWN	E. Hoque	08-21			
CHECKED		08-21			
APPROVED-SECTION LEADER		N. Viboolmate	08-21		
ROUTE	1-40	MILEPOST	123.32	STRUCTURE NO.	1260
TRACS NO.		F 0161 OIC		040-B(229)T	
				DWG. 5-2.07 OF 12	
				OF	

F.H.W.A. REGION	STATE	PROJECT NO.	SHEET NO.	TOTAL SHEETS	RECORD DRAWING
9	ARIZ.	040-B(229)T	75	87	

040 YV 122



DECK PLAN
Scale: 1" = 15'-0"

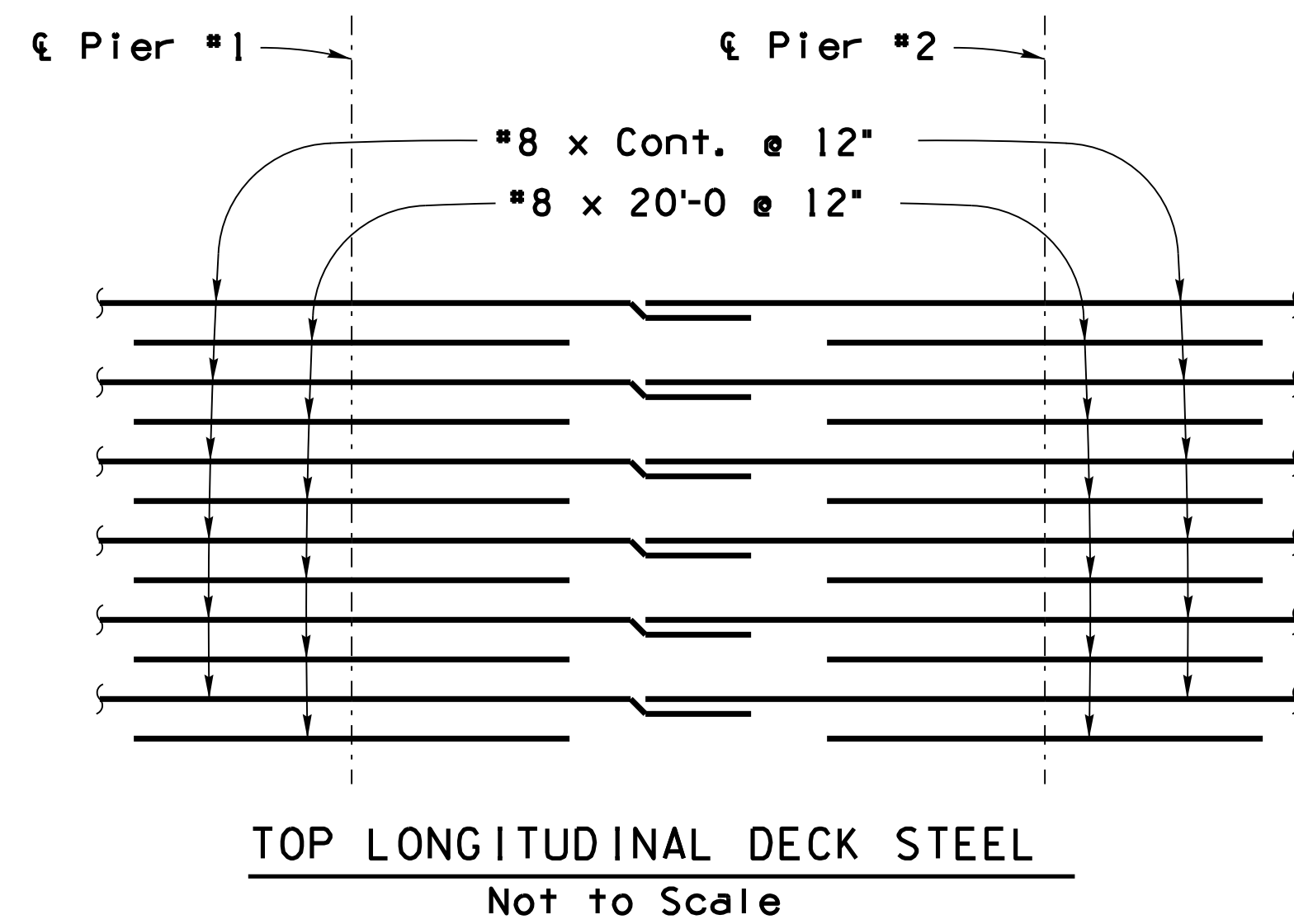


DECK REINFORCING
Scale: 3/8" = 1'-0"

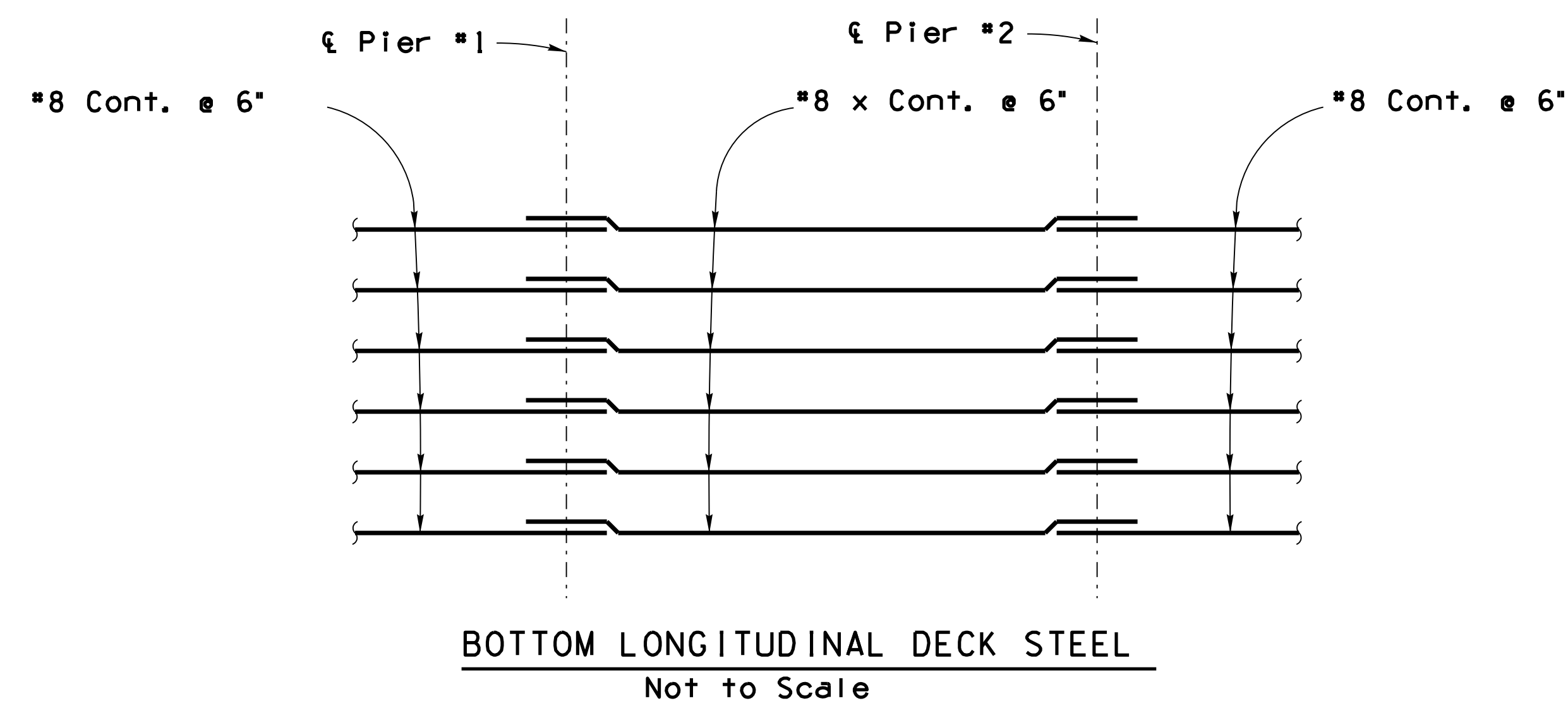
BRIDGE DESIGN SECTION "B"		DATE	ARIZONA DEPARTMENT OF TRANSPORTATION INFRASTRUCTURE DELIVERY AND OPERATIONS DIVISION BRIDGE GROUP STA 6428+ EAST SELIGMAN TI OP WB DECK DETAILS		
DESIGN	E. Hoque	08-21			
DRAWN	E. Hoque	08-21			
CHECKED		08-21			
APPROVED-SECTION LEADER	N. Viboolmate	08-21			
ROUTE	1-40	MILEPOST	123.32	STRUCTURE NO.	1260
TRACS NO. F 0161 OIC		040-B(229)T		DWG. S-2.08 OF 12	OF

F.H.W.A. REGION	STATE	PROJECT NO.	SHEET NO.	TOTAL SHEETS	RECORD DRAWING
9	ARIZ.	040-B(229)T	76	87	

040 YV 122



TOP LONGITUDINAL DECK STEEL
Not to Scale



BOTTOM LONGITUDINAL DECK STEEL
Not to Scale

SUPERSTRUCTURE BAR SPLICE NOTES:

All continuous horizontal bars in Deck Slab, Diaphragms and Barriers including transverse slab bars may be spliced if approved by the Engineer with the following limitations unless noted otherwise.

- ① Minimum lap length of bar splices shall be:

#4 bars	1'-4"	#6 bars	2'-7"
#5 bars	2'-2"	#8 bars	4'-1"
- ② Bars shall not be spliced within the required lap length of the adjacent bars.
- ③ Top longitudinal bars shall not be spliced within 8'-0" of ξ Piers.
- ④ No splices allowed for longitudinal bottom bars within 8'-0" either side of ξ Piers.

BARRIER BAR NOTE:

Cost of barrier bar embedded into deck is included in item No. 6011150 (L.F.) Single Slope Bridge Concrete Barrier and Transition (38").

DECK REINFORCEMENT NOTES:

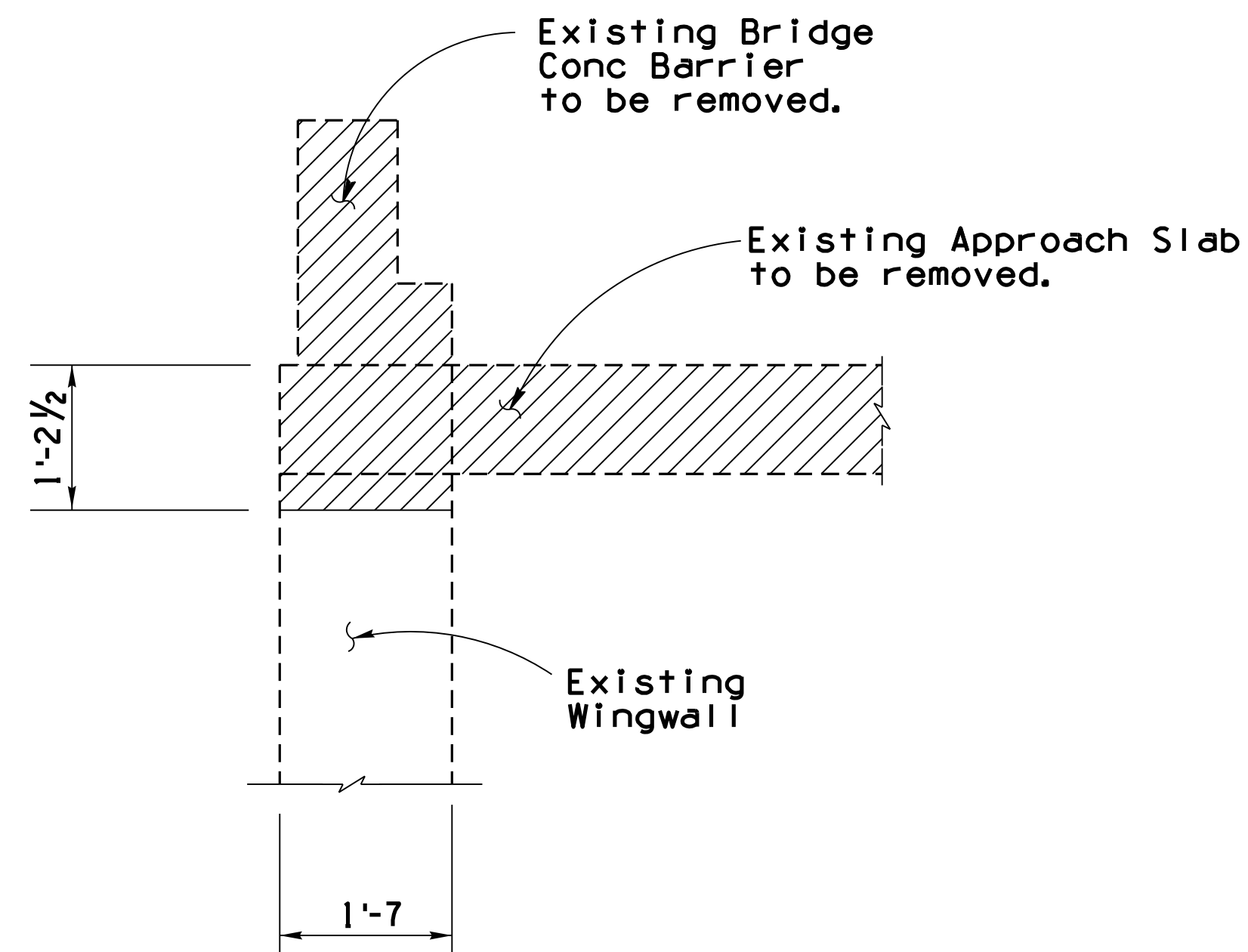
All transverse deck reinforcing shall be placed normal to the Constr ξ .

NO.1 | DESCRIPTION OF REVISIONS | DATE | MADE BY | NO.2 | DESCRIPTION OF REVISIONS | DATE | MADE BY

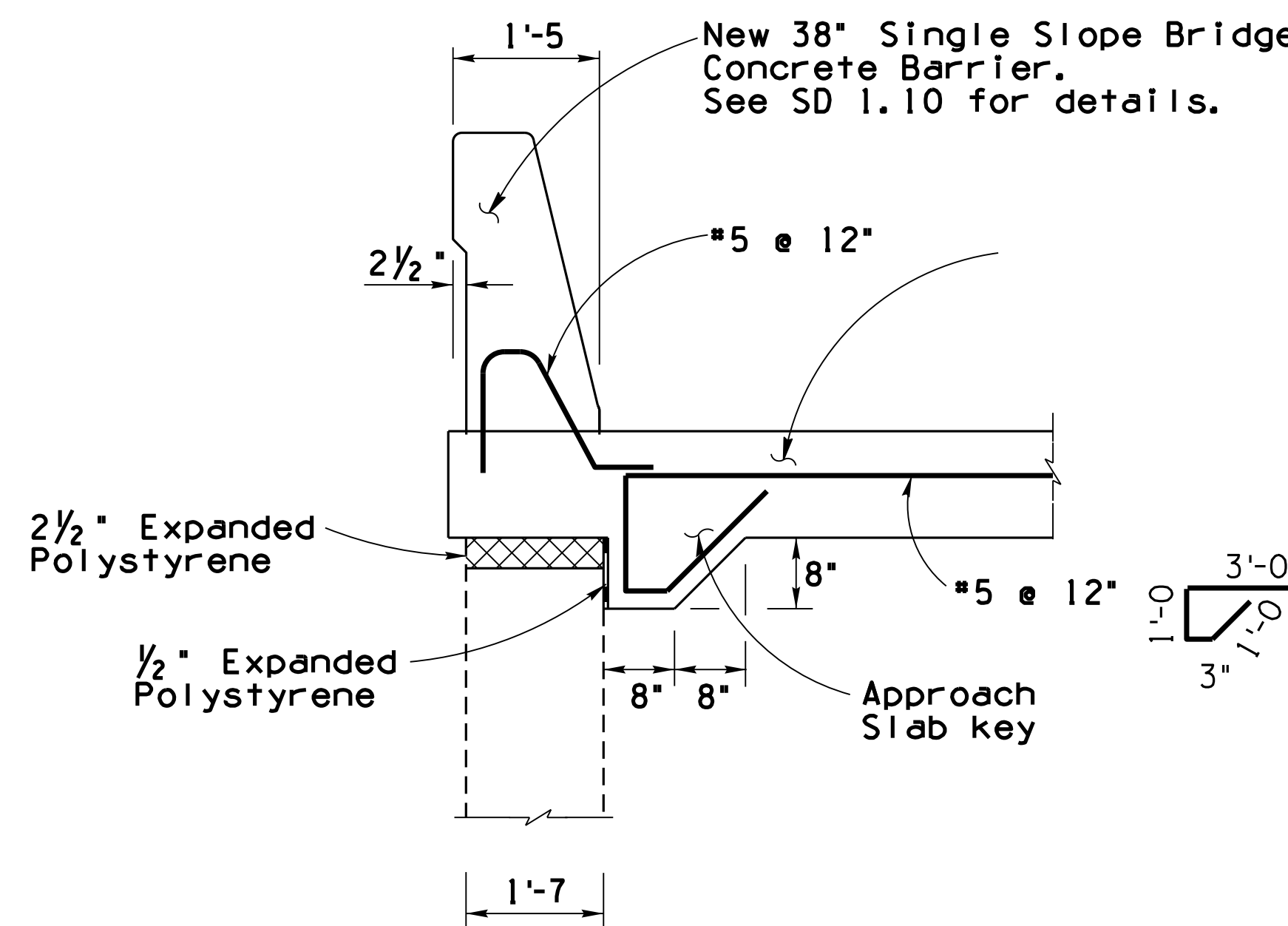
BRIDGE DESIGN SECTION "B"			DATE	ARIZONA DEPARTMENT OF TRANSPORTATION INFRASTRUCTURE DELIVERY AND OPERATIONS DIVISION BRIDGE GROUP STA 6428+ EAST SELIGMAN TI OP WB DECK DETAILS 2		
DESIGN	E. Hoque	08-21				
DRAWN	E. Hoque	08-21				
CHECKED		08-21				
APPROVED-SECTION LEADER	N. Viboolmate	08-21		EAST SELIGMAN TI OP, EB/WB		DWG. 5-2.09 OF 12
ROUTE	MILEPOST	STRUCTURE NO.			040-B(229)T	OF
TRACS NO. F 0161 OIC						

F.H.W.A. REGION	STATE	PROJECT NO.	SHEET NO.	TOTAL SHEETS	RECORD DRAWING
9	ARIZ.	040-B(229)T	77	87	

040 YV 122




BARRIER & TOP WINGWALL REMOVAL
Scale: 3/4" = 1'-0" ①

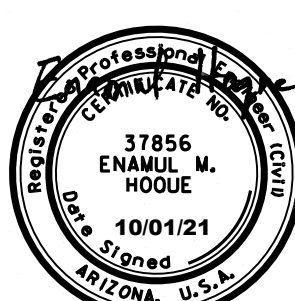


BARRIER & TOP OF EXISTING WINGWALL REPLACEMENT
Scale: 3/4" = 1'-0" ②

NOTES:

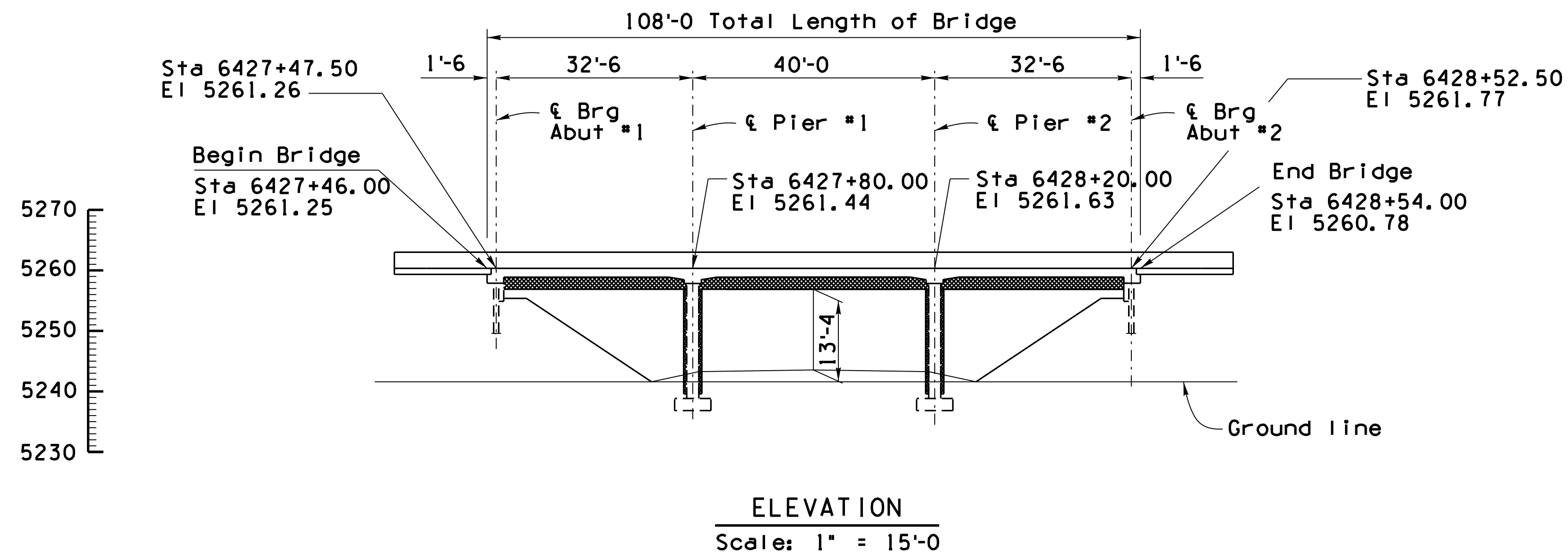
1.  Indicates Concrete Removal. See Removal Note on DWG. S-2.03
2. Existing Concrete Barrier and Approach Slab including Reinforcement to be removed.
3. Approach slab key cost is included in the approach slab bid item.

BRIDGE DESIGN SECTION "B"			DATE	ARIZONA DEPARTMENT OF TRANSPORTATION INFRASTRUCTURE DELIVERY AND OPERATIONS DIVISION BRIDGE GROUP	
DESIGN	E. Hoque	08-21	STA 6428+ EAST SELIGMAN TI OP WB APPROACH SLAB DETAILS		
DRAWN	E. Hoque	08-21			
CHECKED		08-21			
APPROVED-SECTION LEADER	N. Viboolmate	08-21			
ROUTE	1-40	MILEPOST	123.32	STRUCTURE NO.	1260
TRACS NO. F 0161 OIC			LOCATION		EAST SELIGMAN TI OP, EB/WB
			PROJECT NO.		040-B(229)T
					DWG. S-2.10 OF 12
					OF

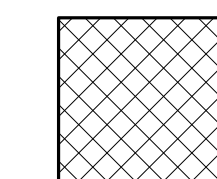


F.H.W.A. REGION	STATE	PROJECT NO.	SHEET NO.	TOTAL SHEETS	RECORD DRAWING
9	ARIZ.	040-B(229)T	79	87	

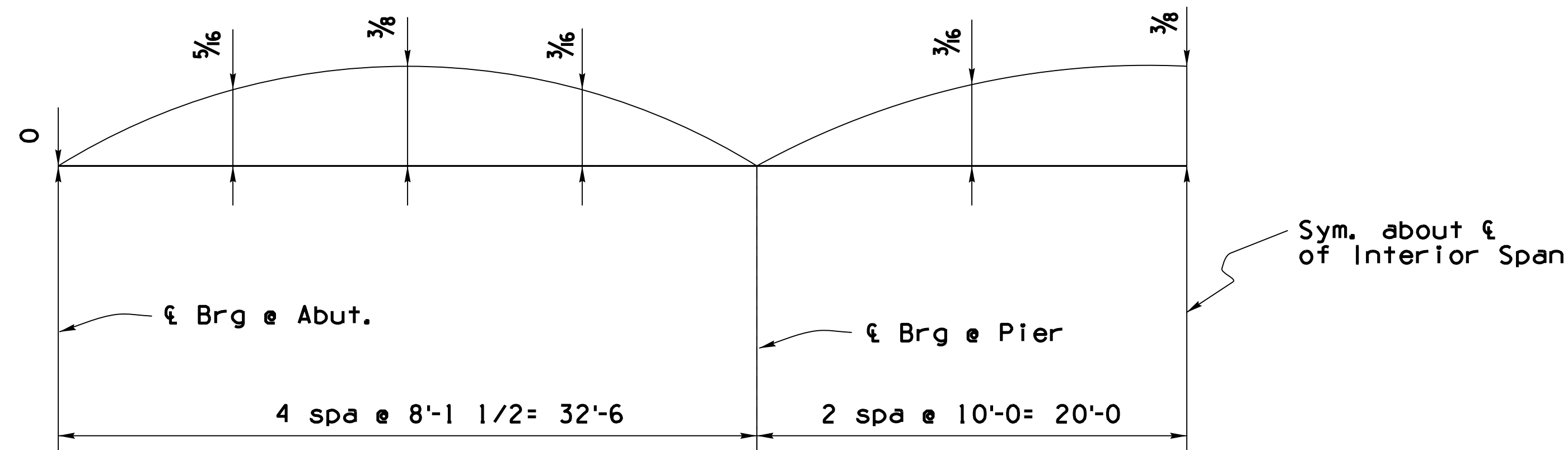
040 YV 122



LEGEND:



False Work, 2'-0" depth considered



SCREED ELEVATION NOTES:

The Contractor shall survey the top of the existing deck at the Constr CL and at edges of bridge deck prior to any work being done.

All survey points shall be conducted at 2'-6" intervals.

Survey data shall be submitted to the Engineer for review and analysis.

The Engineer will then provide the Contractor with Screed Elevations.

BRIDGE DESIGN SECTION "B"		DATE	ARIZONA DEPARTMENT OF TRANSPORTATION INFRASTRUCTURE DELIVERY AND OPERATIONS DIVISION BRIDGE GROUP STA 6428+ EAST SELIGMAN TI OP WB FALSEWORK & SCREED ELEVATIONS	
DESIGN	E. Hoque	08-21		
DRAWN	E. Hoque	08-21		
CHECKED		08-21		
APPROVED-SECTION LEADER		N. Viboolmate	08-21	
ROUTE	1-40	MILEPOST	123.32	1260
		STRUCTURE NO.	LOCATION	
TRACS NO. F 0161 OIC		040-B(229)T		DWG. S-2.12 OF 12
				OF

CONTROL MEASURE INDEX SHEET (CMIS)

F.H.W.A. REGION	STATE	PROJECT NO.	SHEET NO.	TOTAL SHEETS	RECORD DRAWING
9	ARIZ.	040-B(229)T	80	87	

040 YV 122

TO BE COMPLETED FOR PROJECTS WITH ONE (1) ACRE OR MORE OF SOIL/GROUND DISTURBANCE OUTSIDE OF JURISDICTIONAL WATERS OF THE U.S. (≥ 1 ACRE*)

* For projects that meet the definition of maintenance under AZPDES CGP, the permit threshold is five (≥ 5) acres. Consult with ADOT EP Water Resources Management to define Jurisdictional Waters of the U. S.

DATE _____ MADE BY _____ NO. 1 DESCRIPTION OF REVISION _____ DATE _____ NO. 2 DESCRIPTION OF REVISION _____ DATE _____

I. PROJECT DESCRIPTION

A. Owner Name and Address:

Arizona Department of Transportation
205 South 17th Avenue
Phoenix, Arizona 85007-3213

B. Project TRACS Number: F0161 01C

C. Project Name/Location (be consistent with the plan set cover sheet): _____

 I 40, EAST SELIGMAN TI OP, EB / WB

 I 40, MP 122.69 TO MP 124.00

City: _____ County: YAVAPAI

Beginning Latitude (NAD 83): 35°18'45.5580"

Beginning Longitude (NAD 83): -112°51'37.9260"

Ending Latitude (NAD 83): 35°18'16.1856"

Ending Longitude (NAD 83): -112°50'45.3660"

To obtain the project latitude/longitude data, refer to the Flash Earth web link below (Bing Maps with labels):

<http://www flashearth.com/>

D. Project Description: _____

Reconstructing existing bridge decks, miscellaneous earthwork, traffic control, temporary detour crossovers, and other related items.

II. HYDROLOGIC INFORMATION

A. Percentage of the site that is impervious before and after construction:

Percentage before Construction: 19.99%

Percentage after Construction: 19.99%

B. Receiving Water(s), refer to the plan set cover sheet and the NHD Plus HR Availability Map Web Link below:

<https://usgs.maps.arcgis.com/apps/MapTools/index.html?appid=41a5c2ca49bd4a83b239450e61022d53>

(If unnamed, state as unnamed)

 UNKNOWN

III. SOIL STABILIZATION MEASURES

- All disturbed soil, which will not be paved, riprapped or otherwise covered to prevent erosion, will be revegetated and/or landscaped in accordance with the project plans and specifications.

IV. MEASURES TO CONTROL STORMWATER AND AIR QUALITY

A. Temporary Stormwater and Air Quality Control Measures (CMs) / Best Management Practices (BMPs)

- Temporary Diversion Dikes
- Temporary Rock Check Dams
- Stabilized Construction Entrance/Exit Gravel Pad
- Soil Stabilizer for Wind Erosion and Dust Control
- Rock Inlet/Outlet Protection
- Sediment Control Berms
- Silt Fences
- Wattles (Excelsior/Straw/Compost)
- Excelsior Logs / Sediment Logs
- Erosion Control Mattings
- Seeding (Class II with final mulch cover)
- Gravelbag
- Catch Basin Temporary Fabric Filter
- Designated Washout Areas
- Protected Chemical and Material Storage Area
- Equipment Maintenance Procedures
- Others Describe: _____

 Minimum 4 STABILIZED CONSTRUCTION ENTRANCE/EXIT GRAVEL PADS have been estimated. The contractor shall propose the locations as evaluated and approved by the Engineer.

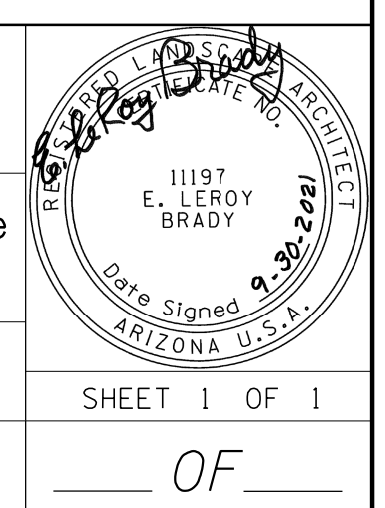
B. Permanent and Post-construction Stormwater and Air Quality Control Measures (CMs) / Best Management Practices (BMPs):

- Crown Ditch/Dike
- Rock Protection
- Rock Riprap Channel Lining
- Sediment Basin
- Embankment Curb
- Spillways
- Downdrains
- Minibenching
- Solid Waste Management
- **Rock-filled Stormwater Infiltration CM/BMP as Infiltration Basin and/or Trench
- **Filtration Structures
- **Infiltration Basin and/or Trench
- **Retention and/or Detention Basins
- **Bioretention
- **Manufactured Treatment Devices
- Seeding established as a perennial vegetative cover with a density of 70% of the native background vegetative cover.
- Others Describe: _____

** Track and report to ADOT EP Water Resources Management:

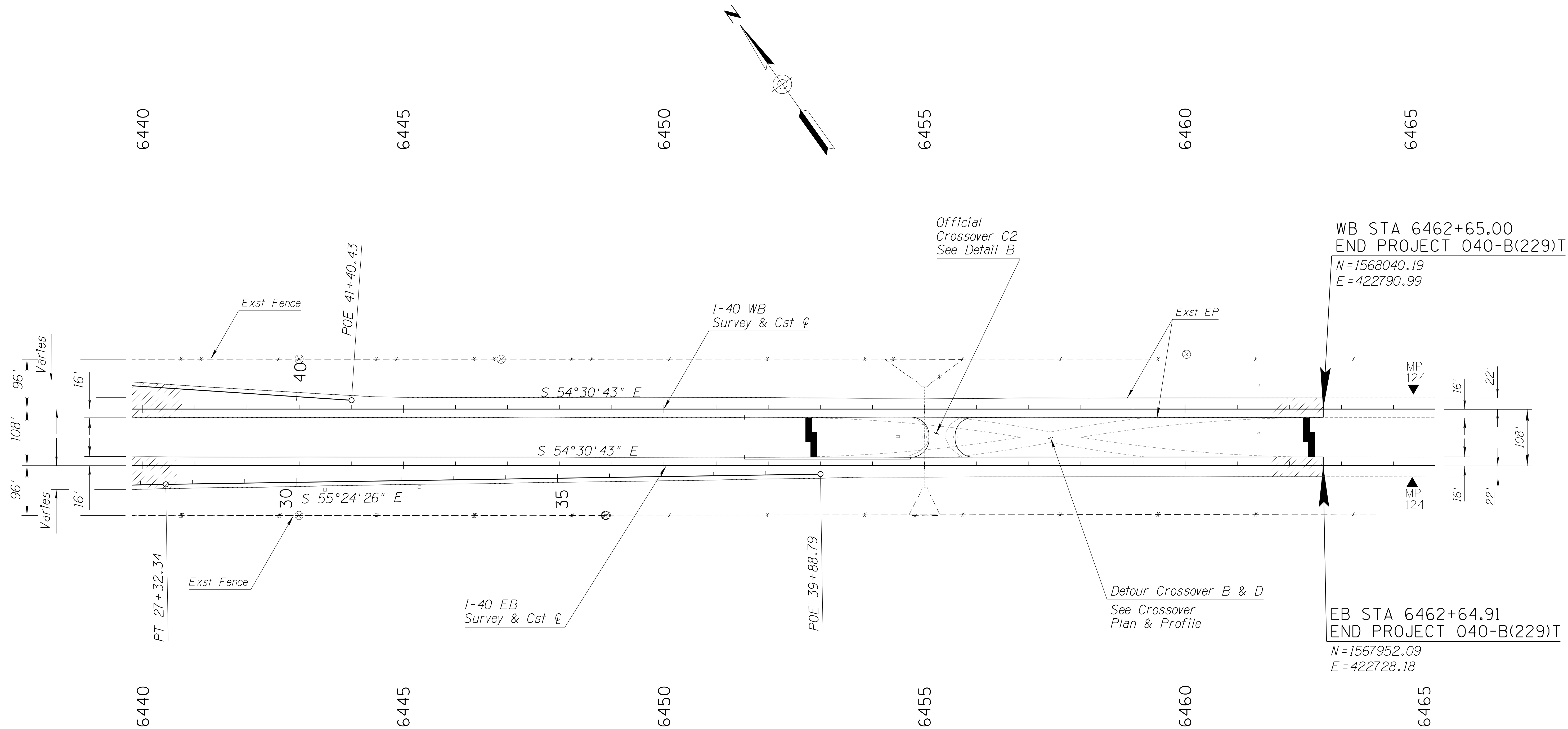
ADOTWater@azdot.gov

	NAME	DATE	ARIZONA DEPARTMENT OF TRANSPORTATION INFRASTRUCTURE DELIVERY AND OPERATIONS DIVISION ROADSIDE DEVELOPMENT SECTION
DESIGN	TAO ZI FONG	9-2021	Stormwater & Air Quality Control Measure Index Sheet (CMIS)
DESIGN	HAN MENG	9-2021	
DRAWN	TAO ZI FONG	9-2021	
DRAWN	HAN MENG	9-2021	
CHECKED	JOHN R. HUCKO	9-2021	
TEAM LEADER	E LEROY BRADY	9-2021	
ROUTE	I-40	MP	LOCATION EAST SELIGMAN TI OP, EB/WB
TRACS NO. F0161 01C			040-B(229)T
			SHEET 1 OF 1 <u> 0F </u>



F.H.W.A. REGION	STATE	PROJECT NO.	SHEET NO.	TOTAL SHEETS	RECORD DRAWING
9	ARIZ.	040-B(229)T	82	87	

040 YV 122



WB STA 6462+65.00
END PROJECT 040-B(229)T

N = 1568040.19
E = 422790.99

EB STA 6462+64.91
END PROJECT 040-B(229)T

N = 1567952.09
E = 422728.18

ESTIMATED CMs/BMPs' SUB-TOTAL QUANTITIES (2 of 2)

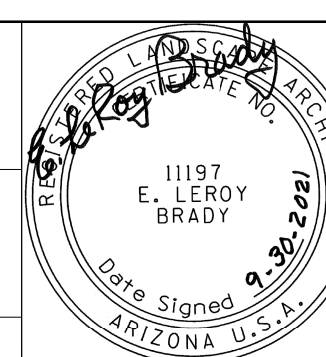
DETAIL NO.	ITEM	LEGEND	UNIT	TOTAL	RECORD DRAWING DATA
ES1	SEDIMENT LOG 20" DIA	█ █ █	L. FT.	40	

Notes:
Make necessary field adjustments to ensure the layout/installation of seeding and erosion/sediment control measure is accomplished according to the actual limits of soil/ground disturbance as approved by the Engineer.

Make field adjustments to ensure sediment logs/rock check dams are symmetrically installed across the centerline of the ditch. Correct the locations of sediment logs to avoid rocky ditch areas as per the direction of the Engineer.

Additional sediment logs shall be installed to protect the median catch basin as shown in the Detail ES4.

DESIGN	TAO ZI FONG	9-2021	ARIZONA DEPARTMENT OF TRANSPORTATION INFRASTRUCTURE DELIVERY AND OPERATIONS DIVISION ROADSIDE DEVELOPMENT SECTION
DESIGN	HAN MENG	9-2021	
DRAWN	TAO ZI FONG	9-2021	
DRAWN	HAN MENG	9-2021	
CHECKED	JOHN R. HUCKO	9-2021	
TEAM LEADER	E. LEROY BRADY	9-2021	
ROUTE	I-40	LOCATION	EAST SELIGMAN TI OP, EB/WB
TRACS NO. F0161 01C			040-B(229)T



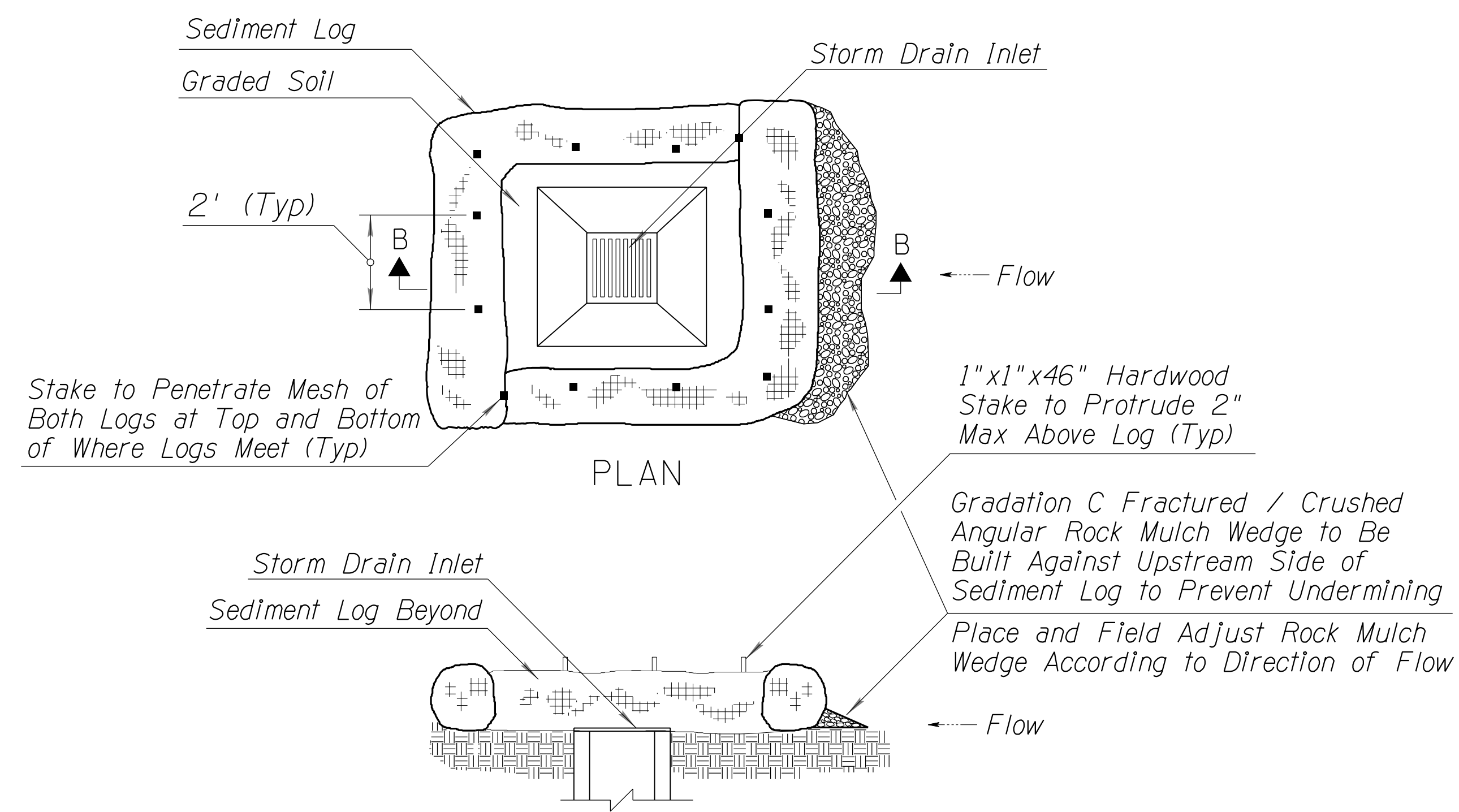
SHEET 2 OF 2

SPECIAL H.T.B.L

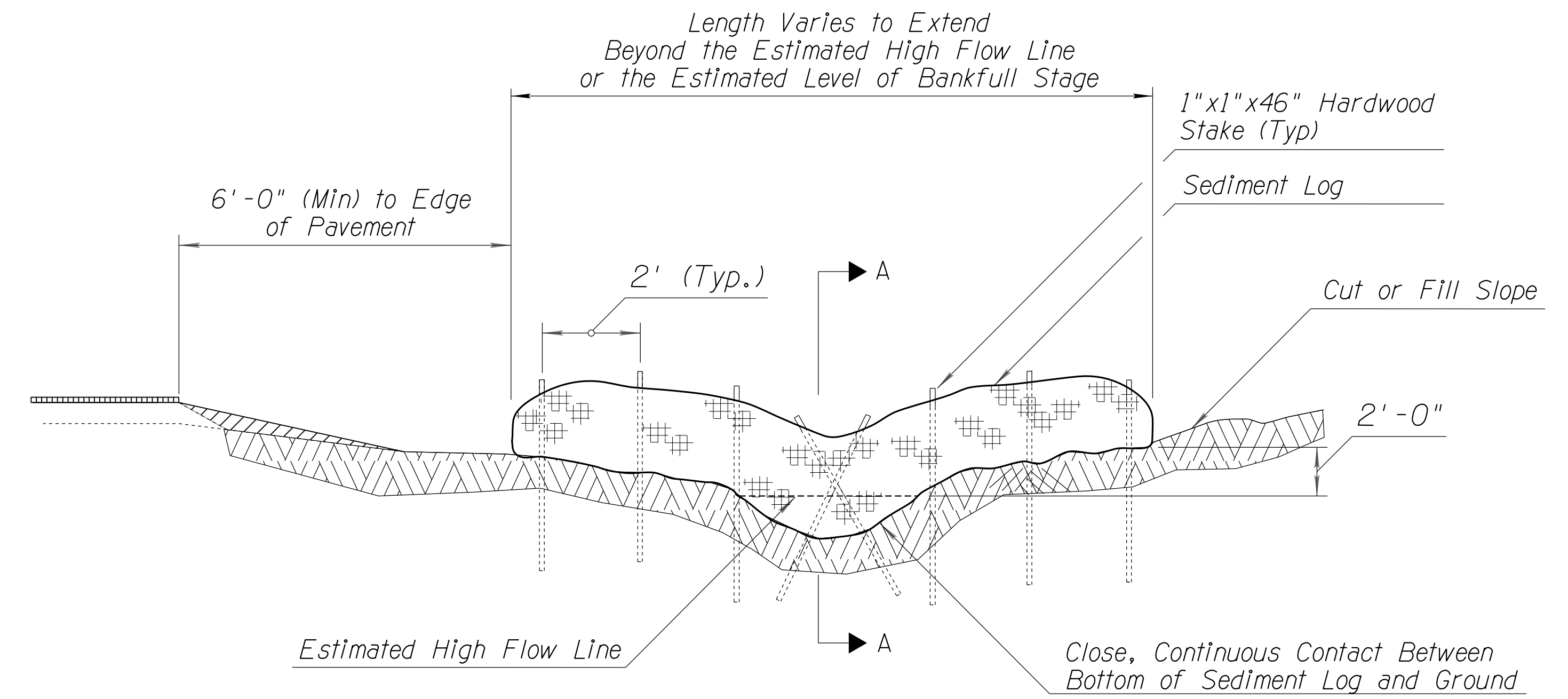
DATE: LOCATION: REVISIONS: FINISHED PLANS: SURVEY NO. DATE: LOCATION: REVISIONS: FINISHED PLANS: SURVEY NO.

F.H.W.A. REGION	STATE	PROJECT NO.	SHEET NO.	TOTAL SHEETS	RECORD DRAWING
9	ARIZ.	040-B(229)T	83	87	

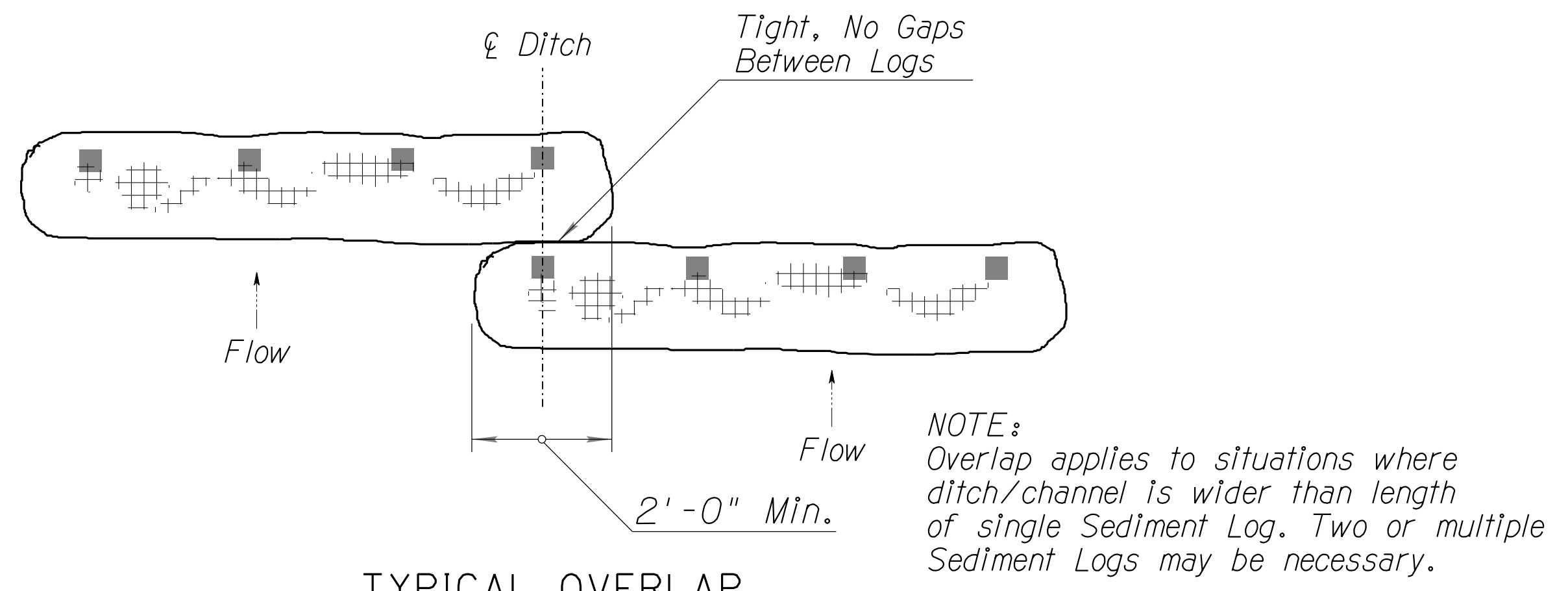
040 YV 122



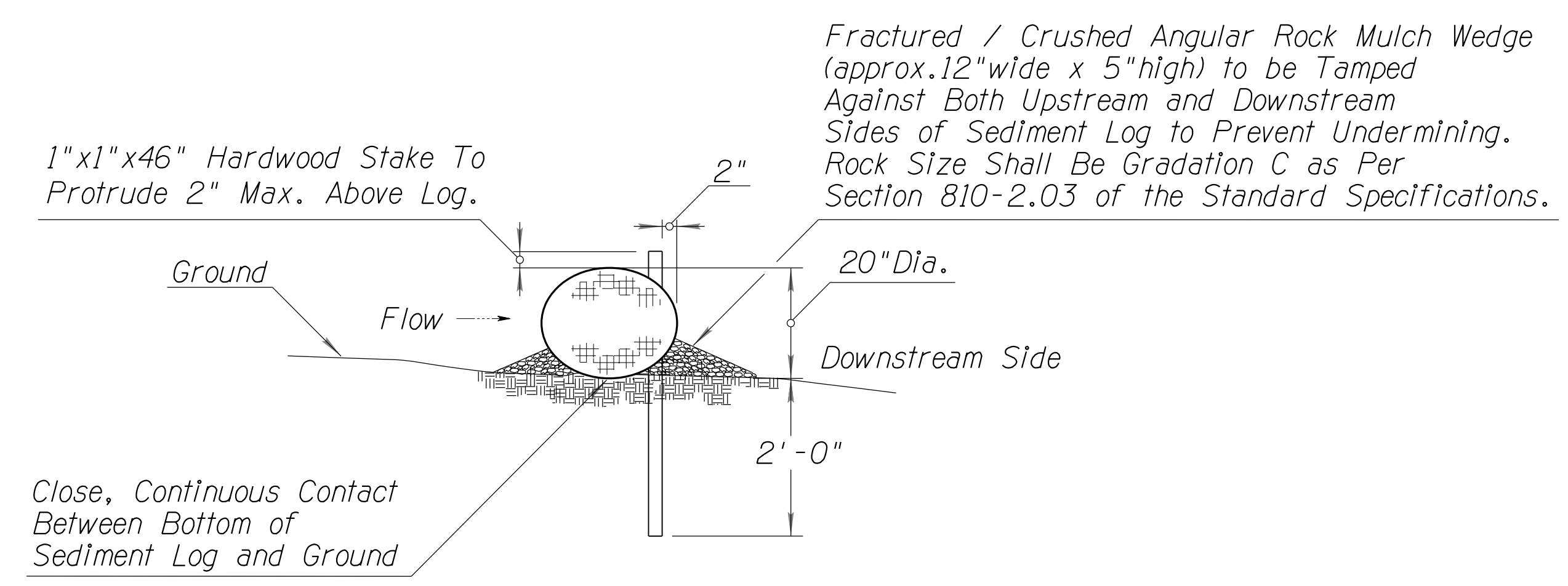
SEDIMENT LOG AT STORM DRAIN SECTION B-B (NTS)



SEDIMENT LOG IN DITCH/CHANNEL SECTIONAL ELEVATION (NTS)



TYPICAL OVERLAP PLAN (NTS)



SECTION A-A (NTS)

- NOTES:**
- Sediment Logs shall not be installed in the urban freeway medians, nor where cable barrier systems are employed.
 - Locate Sediment Logs as indicated in plans, SWPPP or as directed by the Engineer.
 - Select, install and maintain Logs per manufacturers' specifications and good engineering practices.
 - Lay Sediment Log across prepared roadside ditch or channel. Trenching or burial of Sediment Logs is not required. The close, continuous contact between the bottom of the Log and the ground is mandatory. The Logs shall be installed in the roadside ditch, swale or channel bottom perpendicular to the flow of water as shown on detail this sheet.
 - Stake Log as shown. Stakes shall be placed through downstream side only as shown.
 - DO NOT drive stakes through center of the Log. Stakes must be driven into the ground as shown.
 - Ensure that no gaps exist between soil and bottom of Sediment Log. Repair any rills or undercuts promptly.
 - Placement of Sediment Logs shall be evaluated by the Engineer in rocky soil conditions.
 - Remove Sediment Log BMPs within the ditches/channels and around the storm drain inlets as per the direction of the Engineer or as soon as practicable upon stabilization of the construction disturbed area.
 - Dispose of Sediment Logs and trapped sediment material and fill trench created by Sediment Log.
 - The installation and maintenance of Sediment Log BMPs shall not negatively impact traffic safety, nor the designed function of roadway or bridge drainage facilities. Sediment Logs shall be installed and maintained to carry the stormwater of at least 2-year, 24-hour events.
 - Make field adjustments and corrections of Sediment Log BMP immediately if it is causing flooding, erosion, and/or affecting roadway safety.
 - Rock mulch/riprap may be required for channel/ditch lining or rock check dams for longitudinal ditch slopes that exceed 5% and/or for soil conditions not suitable for Log installation.
 - The Sediment Log BMP's pay/bid item shall include all materials used for this BMP: all ground preparation, furnishing, installing, maintenance, final removal, and disposal, as well as returning the area to an acceptable condition as approved by the Engineer.
 - Refer to Standard Specification Section 810-2.06(B) for Sediment Log material specifications.
 - Make field adjustments and corrections to ensure NO sensitive biological resources (native species / habitats) will be adversely impacted.
 - Construct Rock Wedge with angular-shaped Gradation C Rock Mulch as defined in Section 810-2.03 of the Standard Specifications and project special provisions. Natural river-run materials such as rounded river rocks/cobblestones and pebbles are NOT acceptable.

DETAIL ES1

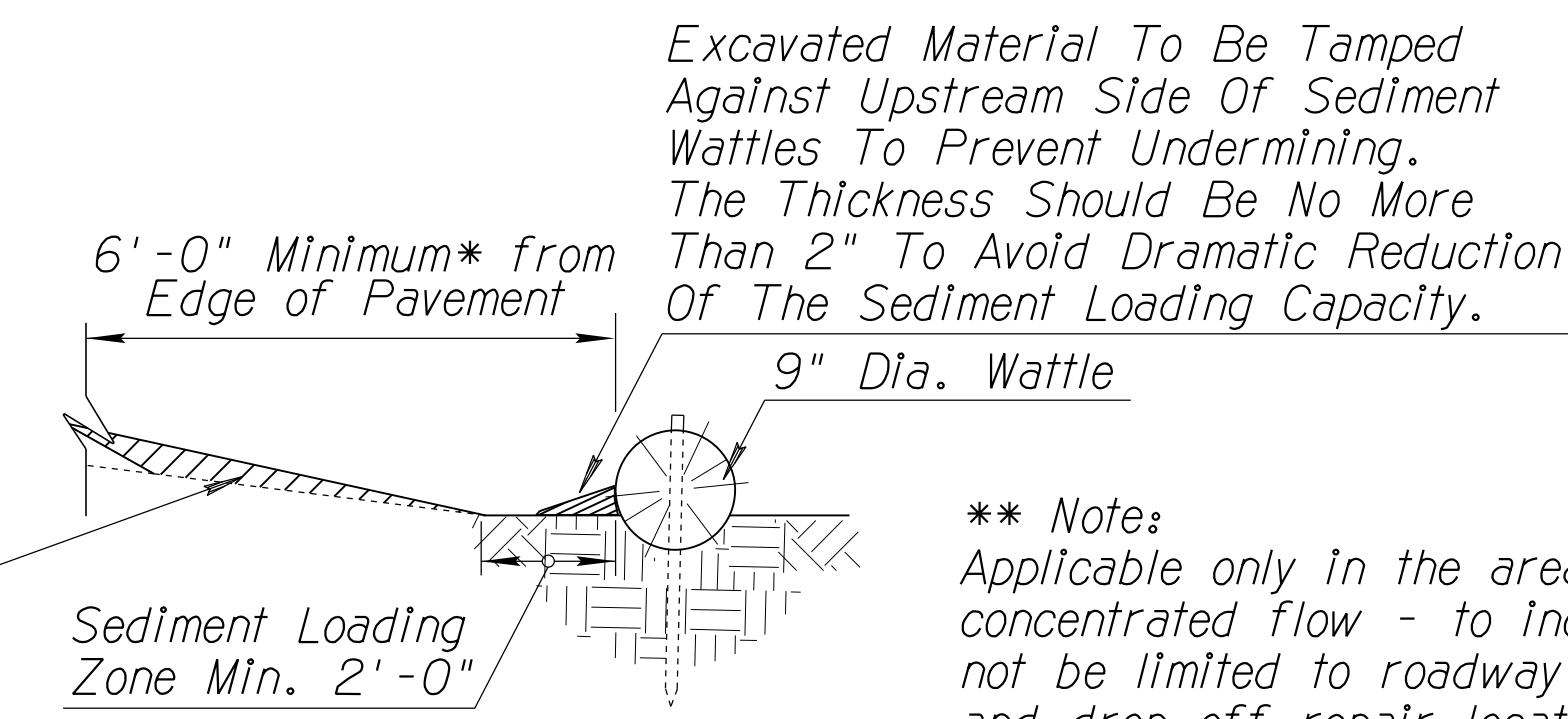
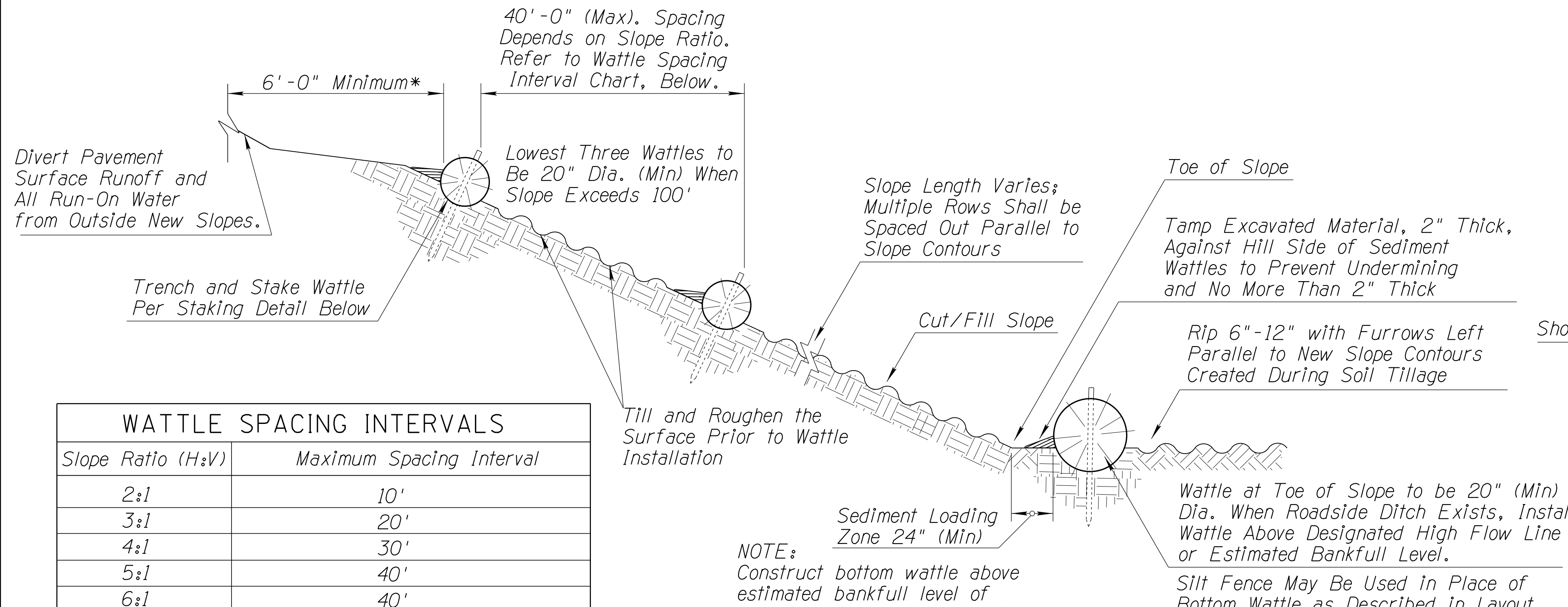
SEDIMENT LOG

DESIGN	NAME	DATE	ARIZONA DEPARTMENT OF TRANSPORTATION INFRASTRUCTURE DELIVERY AND OPERATIONS DIVISION ROADSIDE DEVELOPMENT SECTION
DESIGN	TAO ZI FONG	9-2021	
DESIGN	HAN MENG	9-2021	
DRAWN	TAO ZI FONG	9-2021	
DRAWN	HAN MENG	9-2021	
CHECKED	JOHN R. HUCKO	9-2021	
TEAM LEADER	E LEROY BRADY	9-2021	STORMWATER QUALITY PROTECTION & EROSION/SEDIMENT CONTROL DETAILS
ROUTE	1-40	MP	LOCATION EAST SELIGMAN TI OP, EB/WB
TRACS NO. FO161 OIC			040-B(229)T
			SHEET 1 OF 5

NO. 1 DATE DESCRIPTION OF REVISION NO. 2 DATE DESCRIPTION OF REVISION NO. 3 DATE DESCRIPTION OF REVISION

F.H.W.A. REGION	STATE	PROJECT NO.	SHEET NO.	TOTAL SHEETS	RECORD DRAWING
9	ARIZ.	040-B(229)T	84	87	

040 YV 122

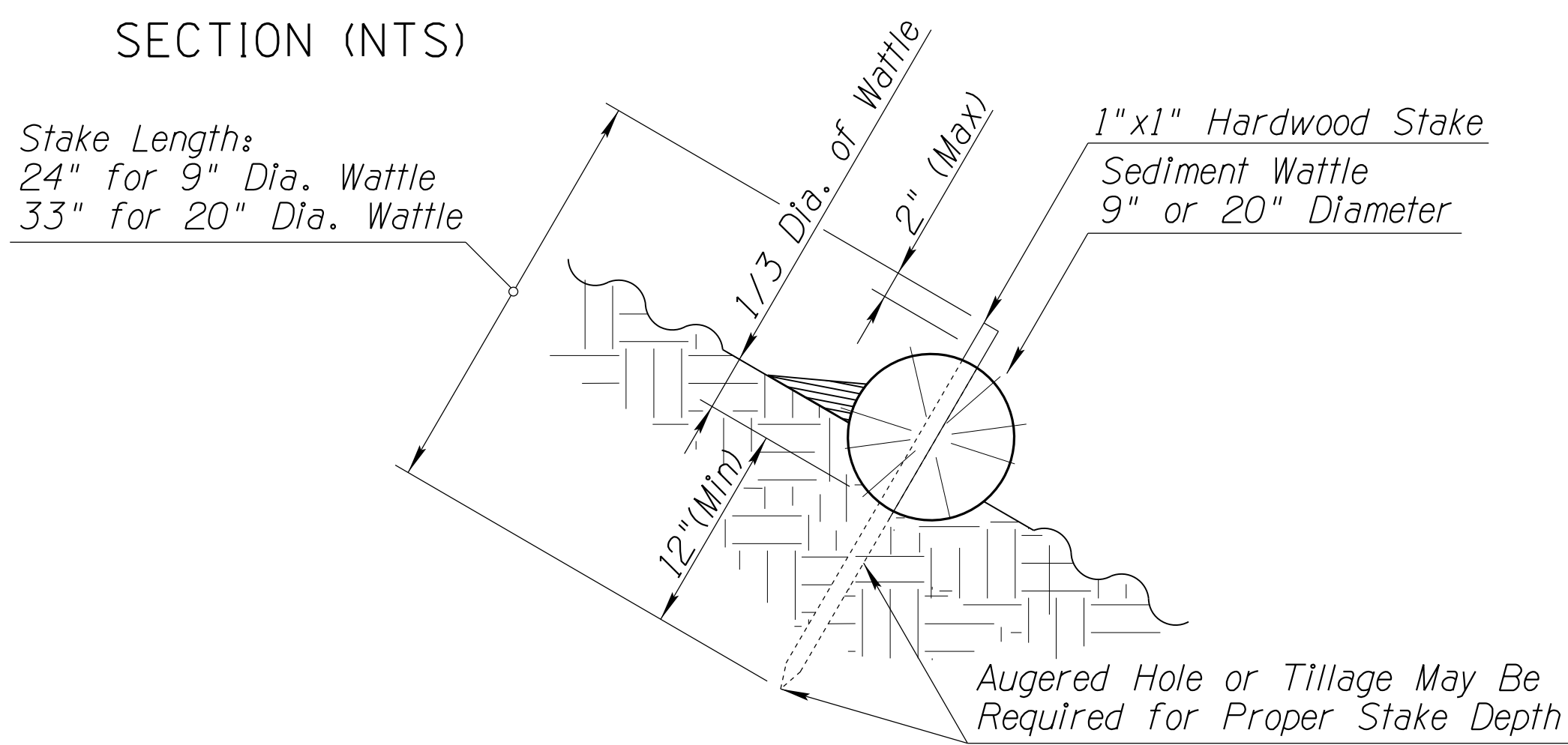


** Note:
Applicable only in the areas of concentrated flow - to include but not be limited to roadway sag spots and drop-off repair locations as per the direction of the Engineer.

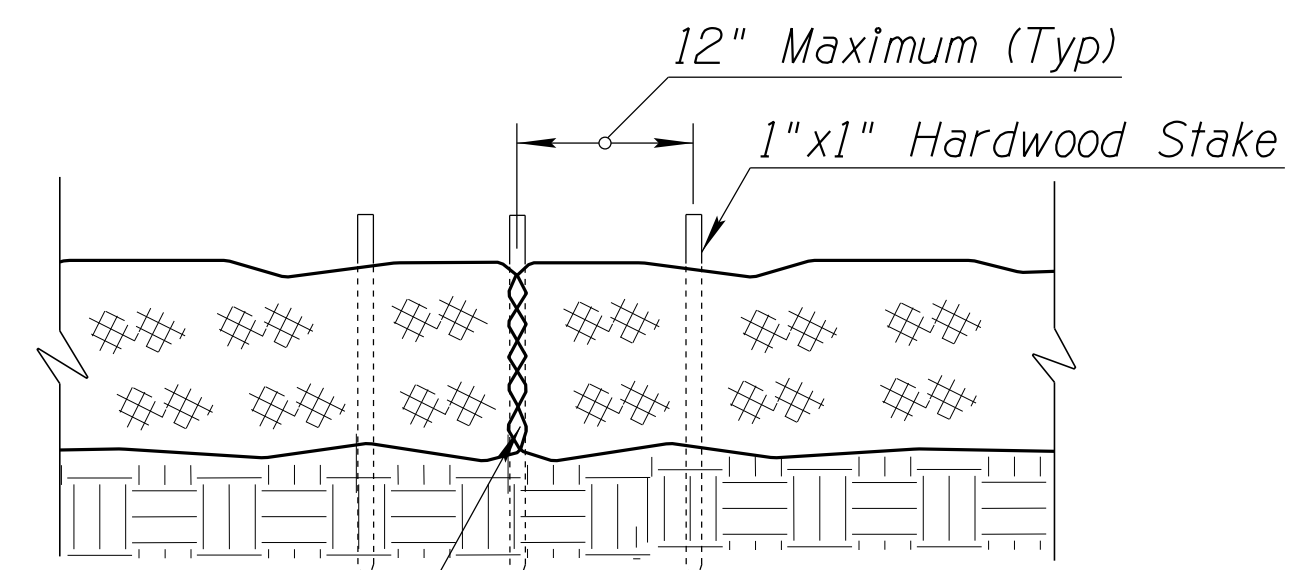
Slope Ratio (H:V)	Maximum Spacing Interval
2:1	10'
3:1	20'
4:1	30'
5:1	40'
6:1	40'

- * Notes:
- 1) Top Row Shall Not be Placed within 6'-0" of Edge of Pavement and 9'-0" from Outside Surface of Barrier.
 - 2) For erosive soils, place rows of wattles closer together.
 - 3) For soils with low erosive potential, place rows of wattles further apart.

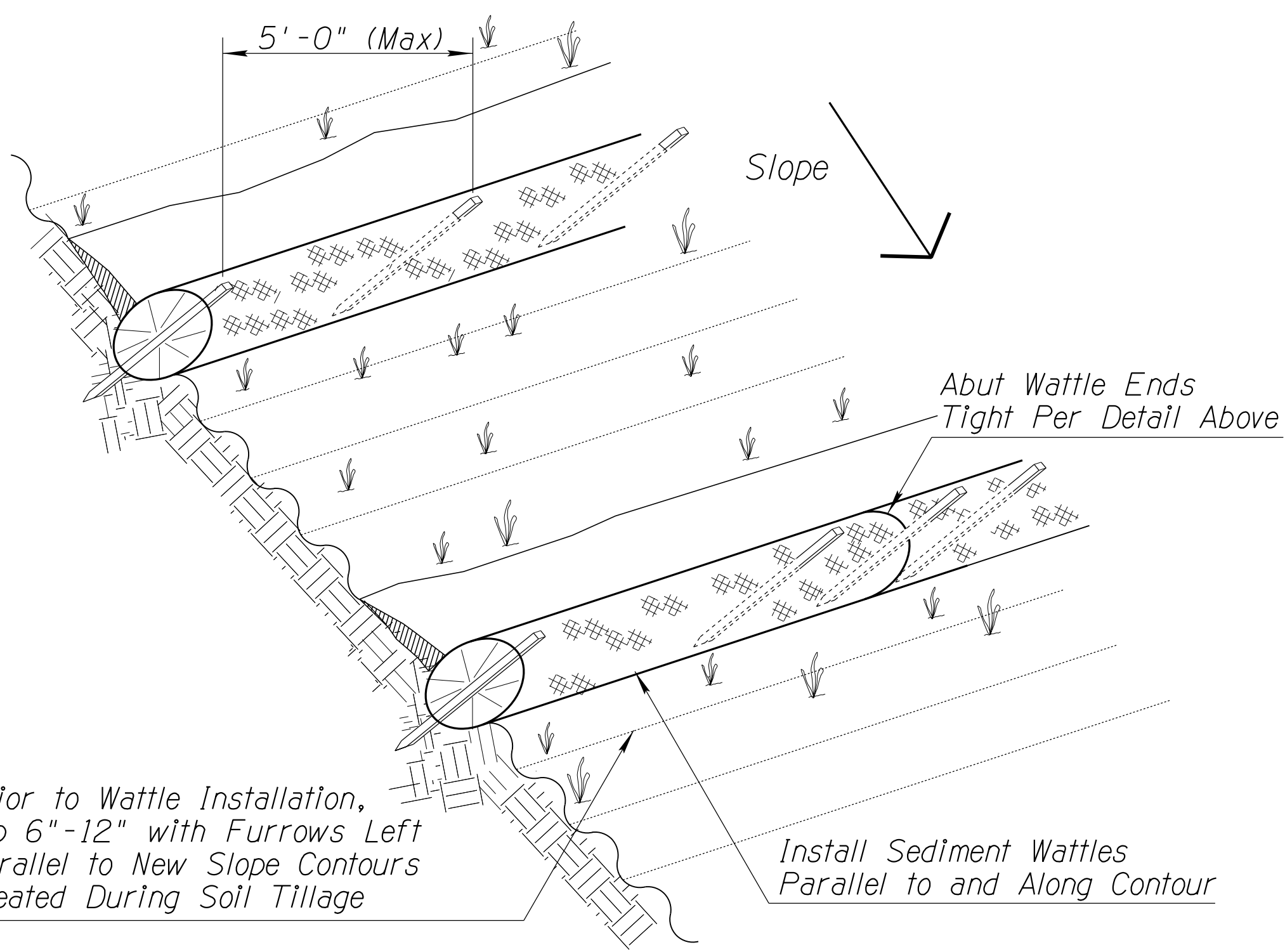
- NOTES:
1. Install Sediment Wattles as slopes are constructed to grade or as directed by the Engineer. Select, install and maintain in conformance with manufacturers' specifications to meet site conditions for slope protection and in accordance with good engineering practices. No Sediment Wattles shall be installed in urban freeway medians, nor where cable barrier systems are employed.
 2. Sediment Wattles shall be in continuous contact with trench bottom and sides. Do not overlap wattle ends on top of each other. A 20" Dia. wattle may be made from 2-3 rolled excelsior or straw blankets.
 3. Butt adjoining wattles tightly against each other. Drive the first end stake of the second wattle at an angle toward the first wattle to help abut them tightly.
 4. Repair any rills or gullies promptly. Make field adjustments and corrections of Wattle BMP immediately if it is causing flooding, erosion, and/or affecting roadway safety.
 5. Construction of cut slopes 2:1 and steeper in soil and rock materials that can be ripped shall be constructed, whenever possible, by Minibenching. Refer to Slope Minibenching BMP Detail.
 6. Loosening surface soil is not required where Minibenches are used. For seeded areas, tillage shall be performed to form minor ridges and furrows parallel to new slope contours and as specified in Section 805 of the Standard Specifications and project special provisions.
 7. Divert and direct run-on water from outside of the slopes to the spillways and/or rock riprap/rock mulch. Diversion dikes and/or ditches are necessary on natural undisturbed slopes beyond the top limits of new slopes to divert run-on water.
 8. Installation and maintenance of Sediment Wattle BMPs shall not negatively impact traffic safety, nor the designed function of roadway or bridge drainage facilities.
 9. Install and maintain Sediment Wattle BMPs to carry the stormwater of at least 2-year, 24-hour events.
 10. The Sediment Wattle BMP's pay/bid item shall include all materials used for this BMP: all ground preparation, furnishing, installing, maintenance, final removal, and disposal of this temporary BMP, as well as returning the area to an acceptable condition as approved by the Engineer.
 11. Refer to Standard Specification Section 810-2.06(C) for Sediment Wattle material specifications.
 12. Make field adjustments and corrections to ensure NO sensitive biological resources (native species / habitats) will be adversely impacted.



SEDIMENT WATTLE STAKING DETAIL (NTS)



SEDIMENT WATTLE OVERLAP (NTS)



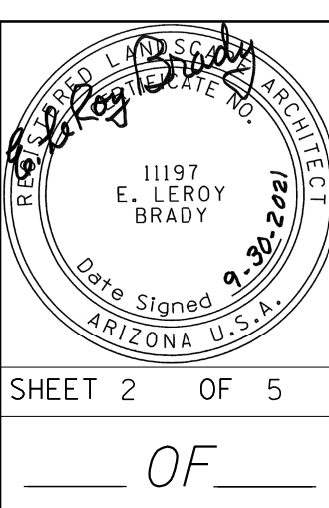
SEDIMENT WATTLE LAYOUT (NTS)

Abut Wattle Ends Tight, No Gaps. Wood Stake to Penetrate Netting Only.

DETAIL ES2

SEDIMENT WATTLE

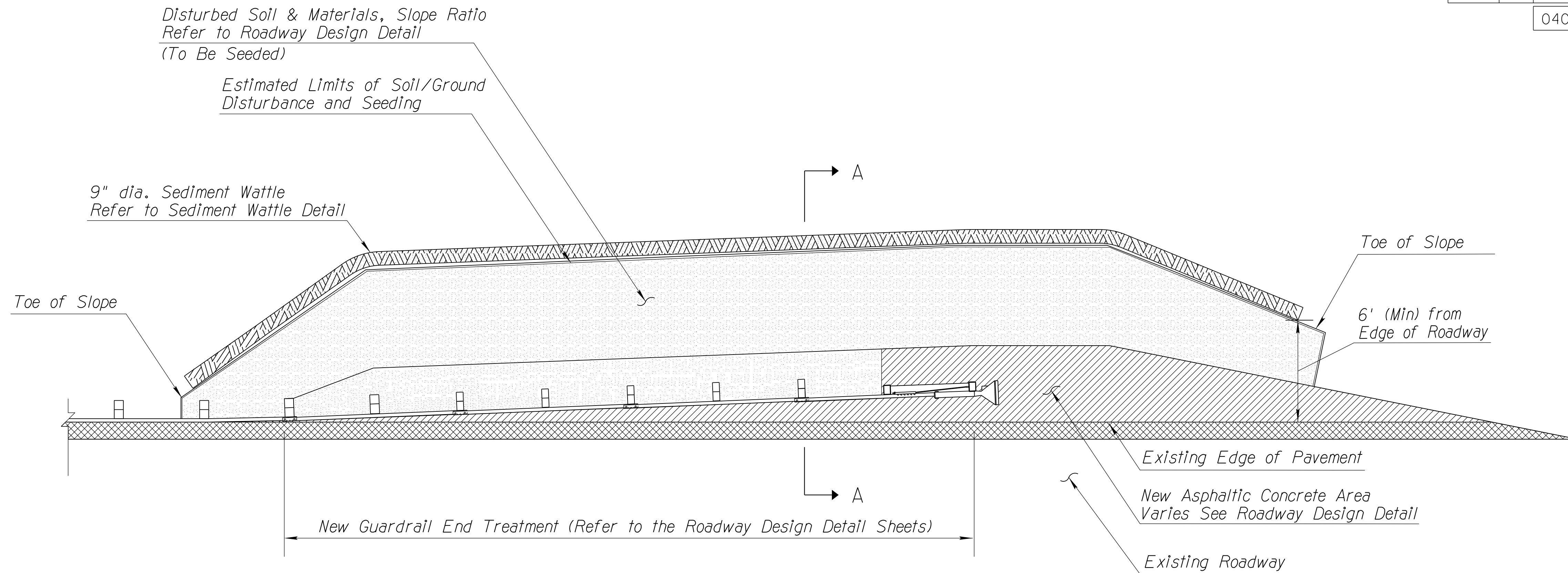
DESIGN	NAME	DATE	ARIZONA DEPARTMENT OF TRANSPORTATION INFRASTRUCTURE DELIVERY AND OPERATIONS DIVISION
DESIGN	TAO ZI FONG	9-2021	ROADSIDE DEVELOPMENT SECTION
DRAWN	HAN MENG	9-2021	
DRAWN	TAO ZI FONG	9-2021	STORMWATER QUALITY PROTECTION & EROSION/SEDIMENT CONTROL DETAILS
CHECKED	HAN MENG	9-2021	
CHECKED	JOHN R. HUCKO	9-2021	ROUTE 1-40 MP EAST SELIGMAN T1 OP, EB/WB
TEAM LEADER	E LEROY BRADY	9-2021	
ROUTE 1-40 MP			LOCATION EAST SELIGMAN T1 OP, EB/WB
TRACS NO. F0161 01C			040-B(229)T



SHEET 2 OF 5

F.H.W.A. REGION	STATE	PROJECT NO.	SHEET NO.	TOTAL SHEETS	RECORD DRAWING
9	ARIZ.	040-B(229)T	85	87	

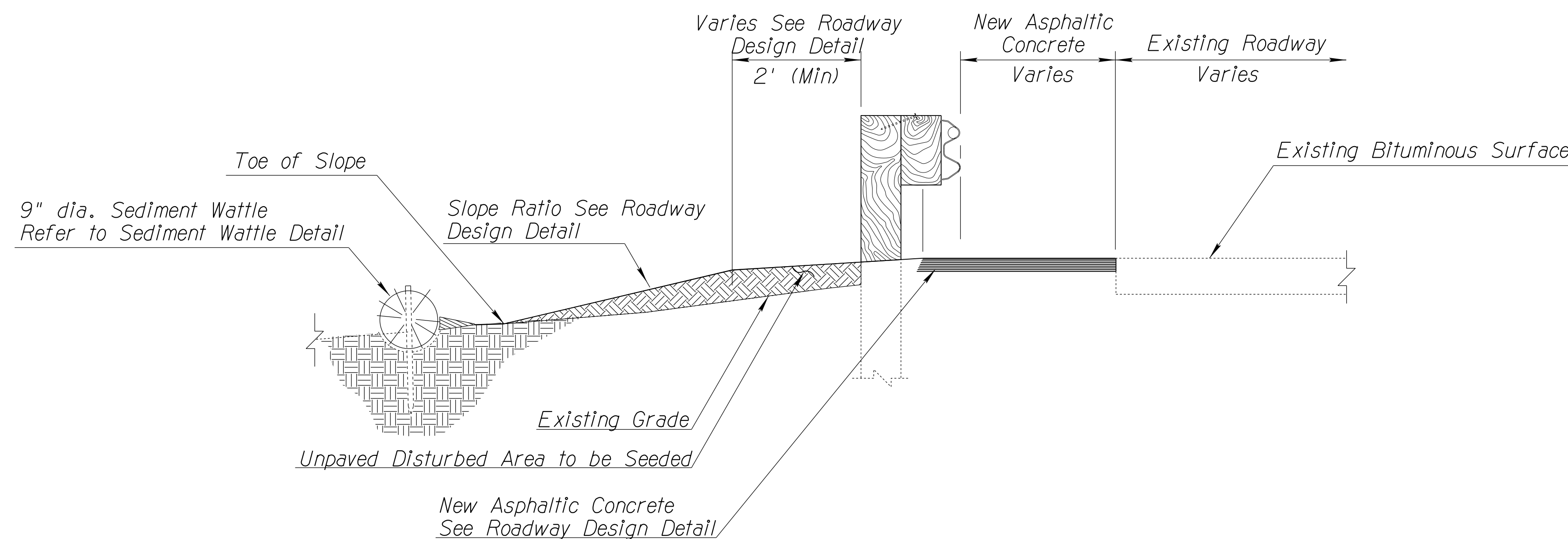
040 YV 122



PLAN VIEW (NTS)

NOTES:

1. Install Sediment Wattle beyond the toe of new slope. Use 9" diameter Sediment Wattles, unless directed by the Engineer. If slope exceeds 100 feet in length (top to toe), use 20" Sediment Wattle at toe of slope. Long slopes will require additional protection between top and toe of slope.
2. Locate Sediment Wattle as indicated on plans or as directed by the Engineer.
3. Place Sediment Wattle a minimum of 6'-0" from edge of roadway without guardrail.
4. Remove surface materials i.e. soil, rock, branches, leaves, slash and chips from the existing grade as needed to place the Sediment Wattle. Refer to Sediment Wattle detail for installation.
5. The installation and maintenance of Guardrail End Treatment Slope Protection CMs/BMPs shall not negatively impact traffic safety, nor the designed function of roadway or bridge drainage facilities. For erosion/sediment control purposes, Guardrail End Treatment Slope Protection CMs/BMPs shall be installed and maintained to carry the stormwater of at least 2-year, 24-hour events.
6. Remove Sediment Wattle per the direction of the Engineer or as soon as practicable upon stabilization of the construction disturbed area.
7. Make field adjustments and corrections of Guardrail Slope Protection CM/BMP immediately if it is causing flooding, and/or affecting roadway safety.
8. Make field adjustments and corrections to ensure NO sensitive biological resources (native species / habitats) will be adversely impacted.



SECTION A-A (NTS)

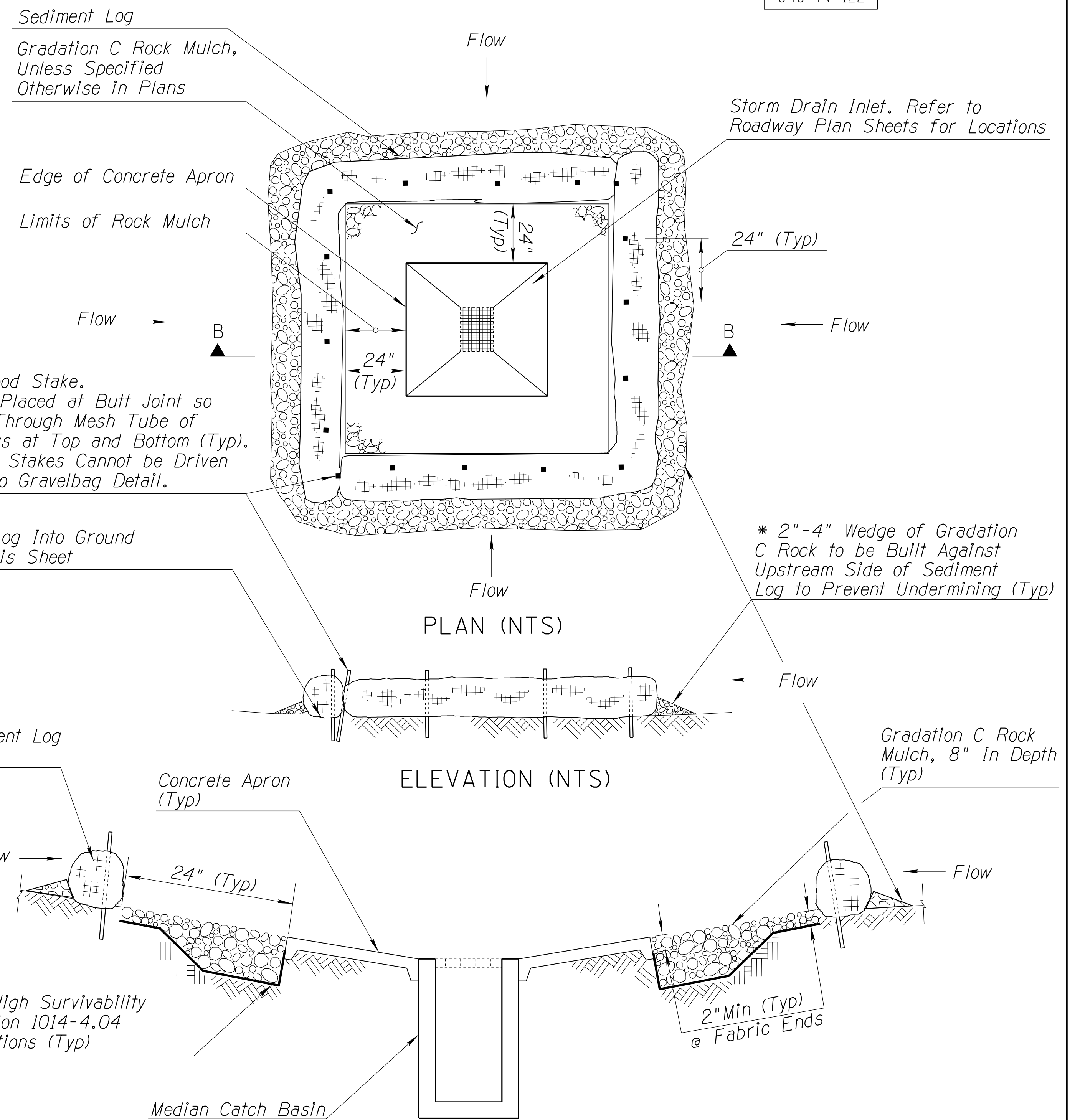
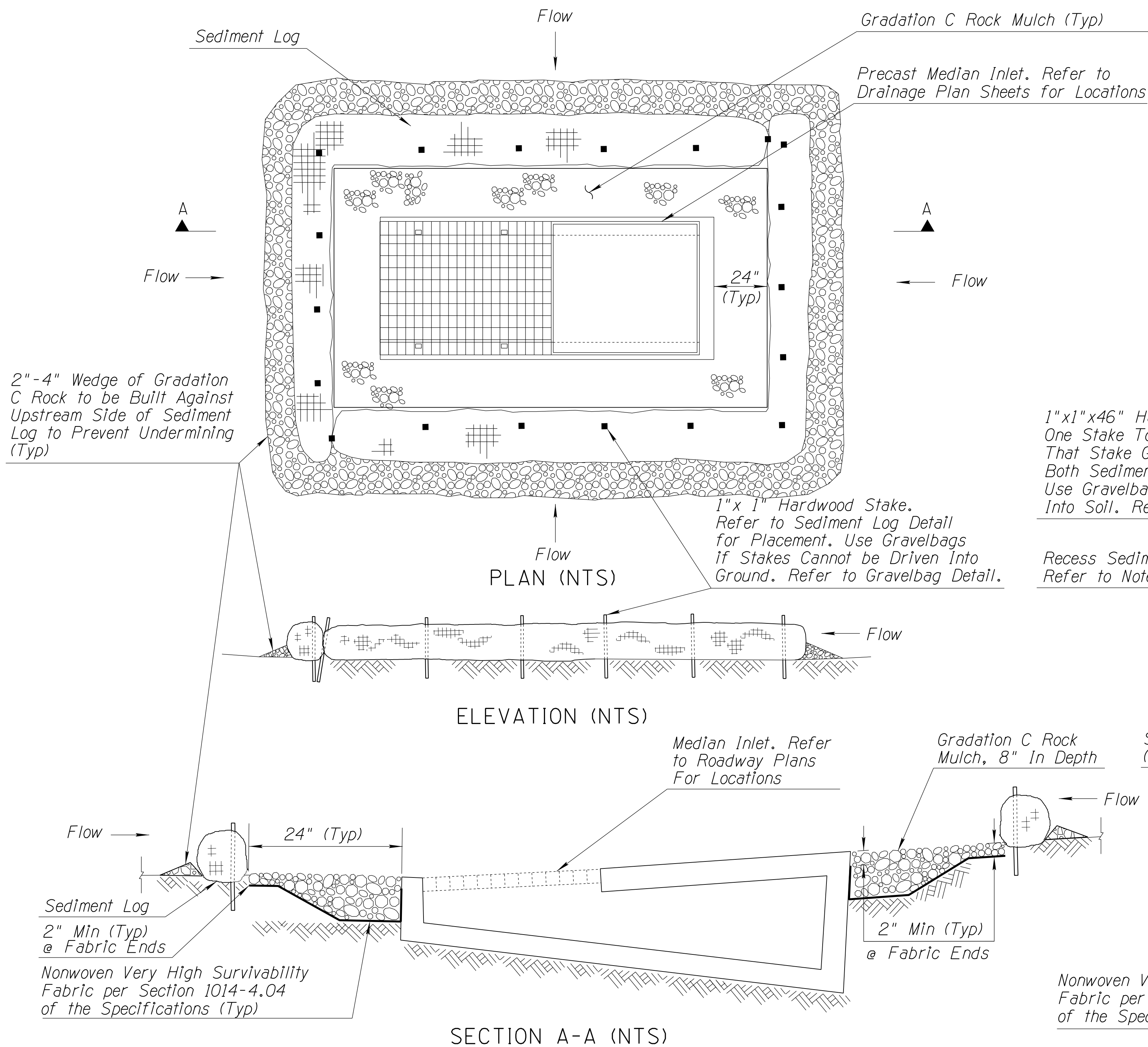
DETAIL ES3

GUARDRAIL END TREATMENT SLOPE PROTECTION

DESIGN	TAO ZI FONG	9-2021	ARIZONA DEPARTMENT OF TRANSPORTATION INFRASTRUCTURE DELIVERY AND OPERATIONS DIVISION ROADSIDE DEVELOPMENT SECTION	
DESIGN	HAN MENG	9-2021		
DRAWN	TAO ZI FONG	9-2021	STORMWATER QUALITY PROTECTION & EROSION/SEDIMENT CONTROL DETAILS	SHEET 3 OF 5 OF
DRAWN	HAN MENG	9-2021		
CHECKED	JOHN R. HUCKO	9-2021		
TEAM LEADER	E LEROY BRADY	9-2021		
ROUTE	1-40	MP	LOCATION	EAST SELIGMAN TI OP, EB/WB
TRACS NO.	F0161 OIC		PROJECT NO.	040-B(229)T

F.H.W.A. REGION	STATE	PROJECT NO.	SHEET NO.	TOTAL SHEETS	RECORD DRAWING
9	ARIZ.	040-B(229)T	86	87	

040 YV 122



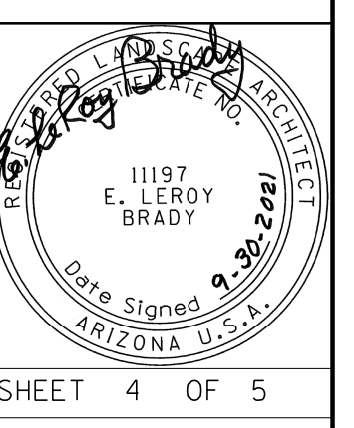
NOTES:

- Sediment logs shall be located as indicated on plans or as directed by the Engineer. They shall be selected, installed, and maintained per manufacturer's specifications and good engineering practices. Log shall be installed perpendicular to the flow of water. Continuous contact between the bottom of the log and the ground is mandatory.
- Stake log with 1"x1"x46" Min. hardwood stakes 24" on center. The stake shall be placed through the downstream side only. It is necessary for the stakes to grab one or two inches of netting. Do not drive stake through center of log. The stakes must be driven into the ground 24". Stakes at corners shall be placed in an "X" pattern.
- Make sure no gaps exist between subgrade and sediment log. Runoff must not pass under sediment log. May require subgrade preparation as directed by Engineer.
- Repair any rills or gullies promptly.
- Remove Sediment Log and stakes once construction activities are complete. Dispose of sediment logs and trapped sediment material and fill trench created by sediment log.
- Refer to Roadway and Drainage Plans and Details for Locations of Inlets and Catch Basins.
- Make field adjustments and corrections of Inlet Protection CM/BMP immediately if it is causing flooding, erosion, and/or affecting roadway safety.
- Make field adjustments and corrections to ensure NO sensitive biological resources (native species / habitats) will be adversely impacted.
- * Construct Rock Wedge with angular-shaped Gradation C Rock Mulch as defined in Section 810-2.03 of the Specifications and project special provisions. Natural river-run materials such as rounded river rocks/cobblestones and pebbles are NOT acceptable.

DETAIL ES4

INLET PROTECTION COMBINED BMPS

	NAME	DATE		
DESIGN	TAO ZI FONG	9-2021	ARIZONA DEPARTMENT OF TRANSPORTATION INFRASTRUCTURE DELIVERY AND OPERATIONS DIVISION ROADSIDE DEVELOPMENT SECTION	
DESIGN	HAN MENG	9-2021		
DRAWN	TAO ZI FONG	9-2021		
DRAWN	HAN MENG	9-2021	STORMWATER QUALITY PROTECTION & EROSION/SEDIMENT CONTROL DETAILS	
CHECKED	JOHN R. HUCKO	9-2021		
TEAM LEADER	E LEROY BRADY	9-2021		
ROUTE	1-40	MP	LOCATION	EAST SELIGMAN TI OP, EB/WB



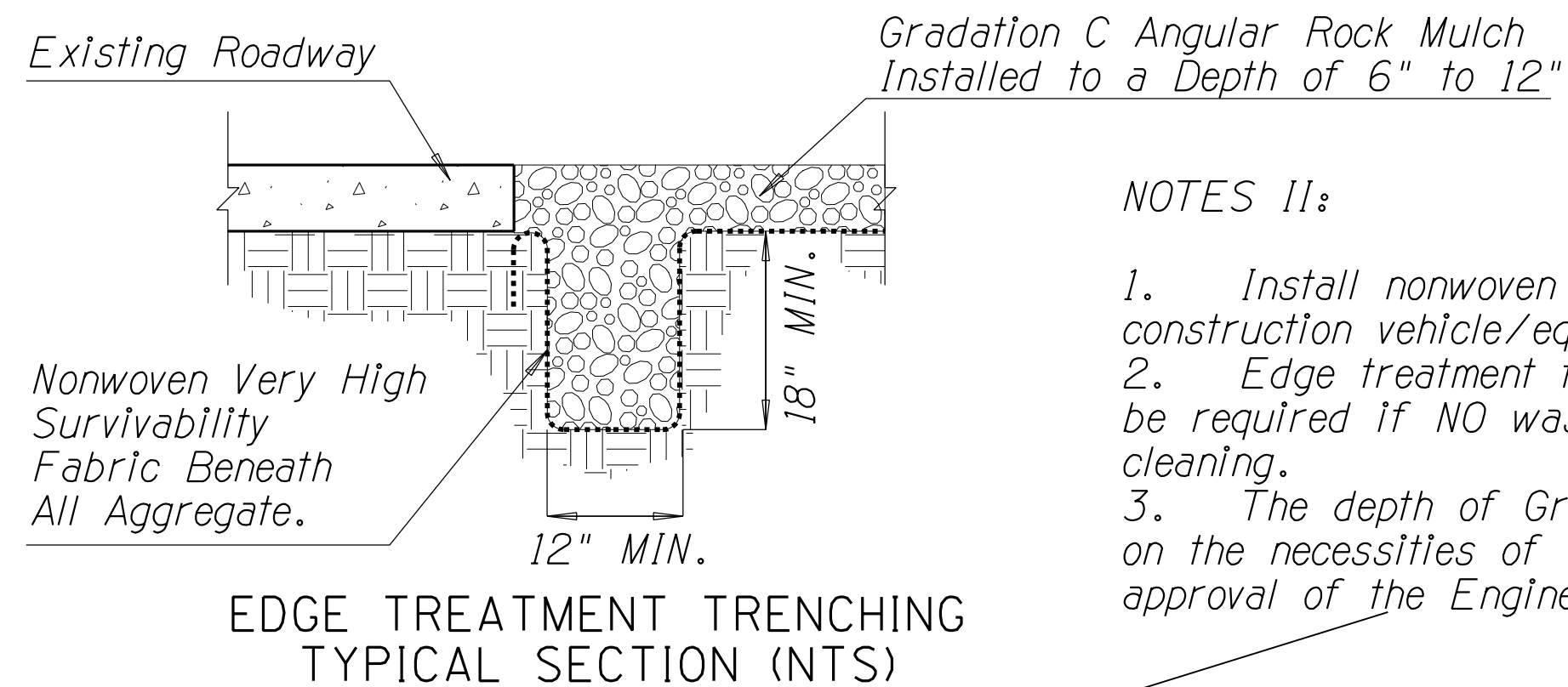
SHEET 4 OF 5

TRACS NO. F0161 01C 040-B(229)T OF

DATE: _____ MADE BY: _____ DATE: _____ INCL. DESCRIPTION OF REVISION: _____

F.H.W.A. REGION	STATE	PROJECT NO.	SHEET NO.	TOTAL SHEETS	RECORD DRAWING
9	ARIZ.	040-B(229)T	87	87	

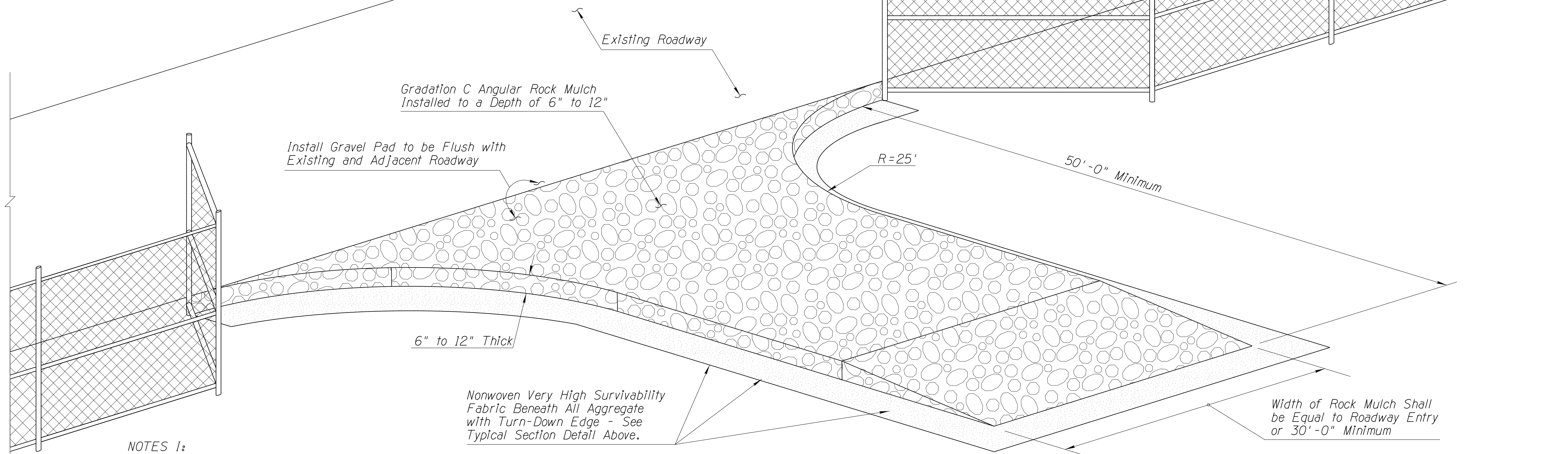
040 YV 122



NOTES 11:

1. Install nonwoven fabric when water is applied for construction vehicle/equipment cleaning on Gravel Pad.
2. Edge treatment trenching and nonwoven fabric shall not be required if NO wash water is used for vehicle/equipment cleaning.
3. The depth of Gravel Pad varies from 6" to 12" based on the necessities of construction vehicle/equipment as per the approval of the Engineer.

* If Required, Install fence/barricade to direct traffic to Gravel Pad



NOTES 1:

1. Install Stabilized Construction Entrance/Exit Gravel Pad CM/BMP for traffic entering or exiting a construction site where sedimentation, clay, silt or other pollutants can be tracked onto public roads and/or adjacent water bodies, as approved by the Engineer. It may also be applied for construction entrance/exit wind erosion/dust control, as approved by the Engineer.
2. Locate new Construction Entrance(s)/Exit(s) at appropriate project entrance/exit points as determined in field with the approval of the Engineer. Relocate Stabilized Construction Entrance/Exit Gravel Pad CM/BMP as needed as project progresses. Replace Rock Mulch materials in drive paths when dirt or mud accumulates.
3. Nonwoven Very High Survivability Fabric shall conform to the standards of Sub-section 1014-4.04 of the Specifications.
4. Rock Mulch materials shall be fractured/crushed rocks in angular shape and as defined in the Sub-section 810-2.03 of the Specifications. Natural river-run materials, especially rounded natural river rocks are not acceptable.
5. Make field adjustments and corrections of Construction Entrance/Exit Gravel Pad CM/BMP immediately if it is causing flooding and/or affecting roadway safety.
6. When paid separately, the Stabilized Construction Entrance/Exit Gravel Pad CM/BMP's pay/bid item shall include all materials used for this CM/BMP: all ground preparation, furnishing, installing, final removal, and disposal of this temporary CM/BMP, as well as returning the area to an acceptable condition as approved by the Engineer.
7. * Fence/barricade pay/bid item shall not be included as a component of the Stabilized Construction Entrance/Exit Gravel Pad CM/BMP pay/bid item.
8. Make field adjustments and corrections to ensure NO sensitive biological resources (native species / habitats) will be adversely impacted.

DETAIL ES5

STABILIZED CONSTRUCTION ENTRANCE/EXIT GRAVEL PAD

DESIGN	NAME	DATE	ARIZONA DEPARTMENT OF TRANSPORTATION INFRASTRUCTURE DELIVERY AND OPERATIONS DIVISION ROADSIDE DEVELOPMENT SECTION
DESIGN	TAO ZI FONG	9-2021	
DRAWN	HAN MENG	9-2021	
DRAWN	TAO ZI FONG	9-2021	
CHECKED	HAN MENG	9-2021	
CHECKED	JOHN R. HUCKO	9-2021	
TEAM LEADER	E LEROY BRADY	9-2021	STORMWATER QUALITY PROTECTION & EROSION/SEDIMENT CONTROL DETAILS
ROUTE	MP	LOCATION	ARIZONA U.S.A.
I-40		EAST SELIGMAN T1 OP, EB/WB	11197 E. LEROY BRADY Date Signed 9-20-2021
TRACS NO.	F0161 OIC	040-B(229)T	SHEET 5 OF 5
			OF