

CST744ELN
ST744E
C744EL

CST744ELRN
ST744ER

EcoDrake® Transitional 1.28 Gpf Toilet, Elongated, E-Max®, ADA, 12" Rough-In

Item Part Description

1	TCU744CRE#01	Tank Lid w/ Velcro Tape - Cotton
	TCU744CRE#03	Tank Lid w/ Velcro Tape - Bone
	TCU744CRE#11	Tank Lid w/ Velcro Tape - Colonial White
	TCU744CRE#12	Tank Lid w/ Velcro Tape - Sedona Beige
	TCU744CRE#51	Tank Lid w/ Velcro Tape - Ebony
2	THU107	Velcro Tape
3	TSU53A	Fill Valve
4	THU252P-A	Flush Valve Assembly w/ Flapper
5	THU499S	Flapper w/ Chain & Clip
6	THU398#CP	Trip Lever, Left Hand
	THU399#CP	Trip Lever, Right Hand
7	THU131	Tank to Bowl Gaskets (for 10 toilets)
8	TSU01D	Tank Mounting Kit
9	THU098#01	Bolt Cap Sets (for 10 toilets)
	THU098#03	Bolt Cap Sets (for 10 toilets)
	THU098#11	Bolt Cap Sets (for 10 toilets)
	THU098#12	Bolt Cap Sets (for 10 toilets)
	THU098#51	Bolt Cap Sets (for 10 toilets)
10	9BU024E	3" Tank to Bowl Gasket (for 1 toilet)
11	THU044#01	Bolt Cap Set (for 1 toilet)
	THU044#03	Bolt Cap Set (for 1 toilet)
	THU044#11	Bolt Cap Set (for 1 toilet)
	THU044#12	Bolt Cap Set (for 1 toilet)
	THU044#51	Bolt Cap Set (for 1 toilet)

Note:

Product Number Explanations

Two-Piece Toilet

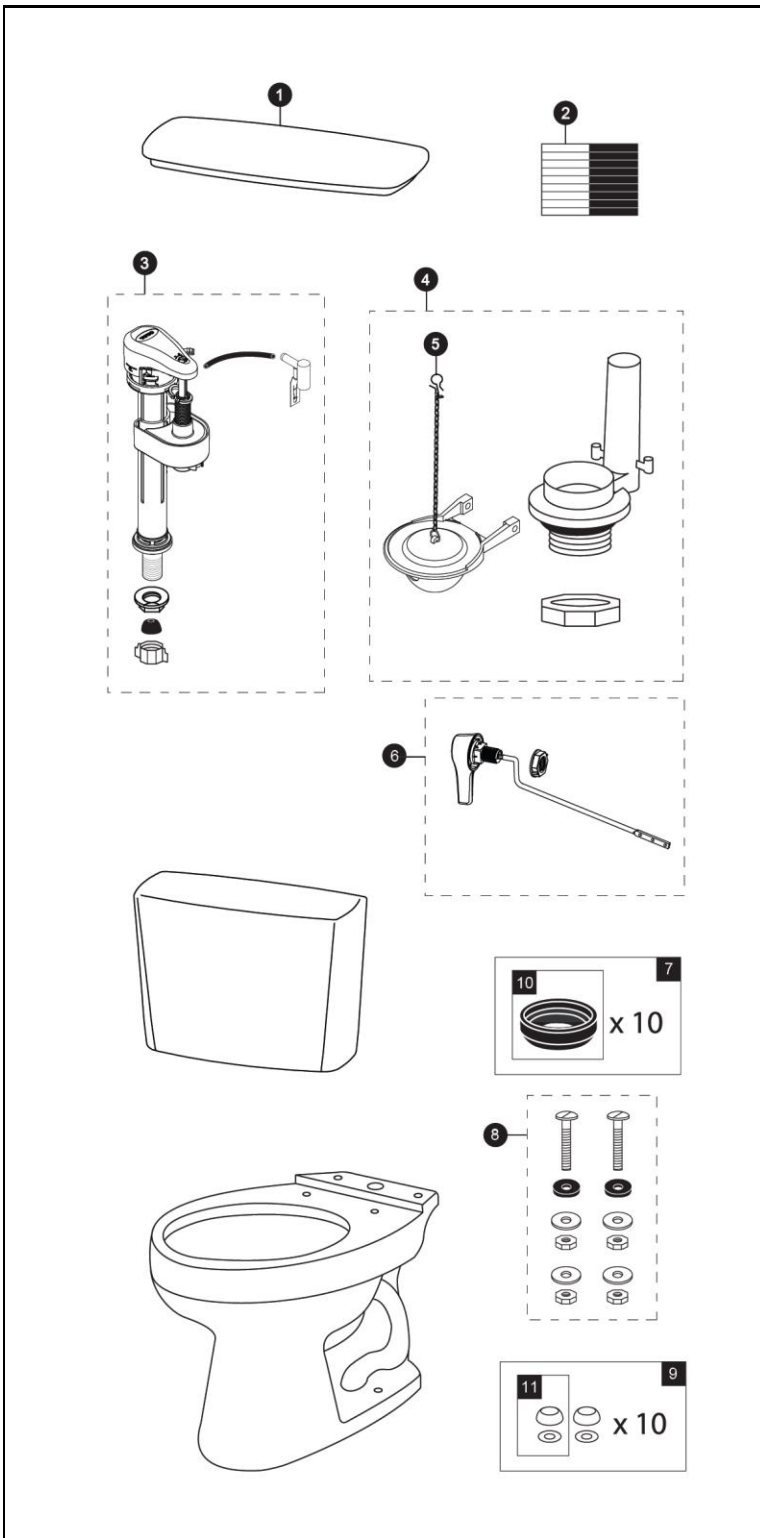
(CST) Gravity Type Toilet
(744) Model #
(E) E-Max®
(L) ADA Compliant
(R) Right Hand Option
(N) Model Letter

Tank

(ST) Tank
(744) Model #
(E) E-Max®
(R) Right Hand
Option

Bowl

(C) Bowl
(744) Model #
(E) E-Max®
(L) ADA Compliant



Actual Product may vary slightly from illustration.