

RIM BOARD HOLE SPECIFICATIONS

The maximum allowable hole size for an APA Rim Board shall be $\frac{2}{3}$ of the Rim Board depth, as shown in Table 7. The length of the Rim Board segment containing a hole shall be at least eight times the hole size.

TABLE 7

RIM BOARD HOLE SIZES AND MINIMUM LENGTH

Rim Board Depth (in.)	Maximum Allowable Hole Size ^{a,b} (in.)	Minimum Length of Rim Board Segment ^c for the Maximum Allowable Hole Size (in.)
9-1/2	6-1/4	50
11-7/8	7-3/4	62
14	9-1/4	74
16	10-1/2	84

a. These hole provisions do not apply to Rim Board installed over openings, such as doors or windows.

b. The diameter of a round hole or the longer dimension of a rectangular hole.

c. The length of Rim Board segment per wall line. For multiple holes, the minimum length of Rim Board segment shall be eight times the sum of all hole sizes.

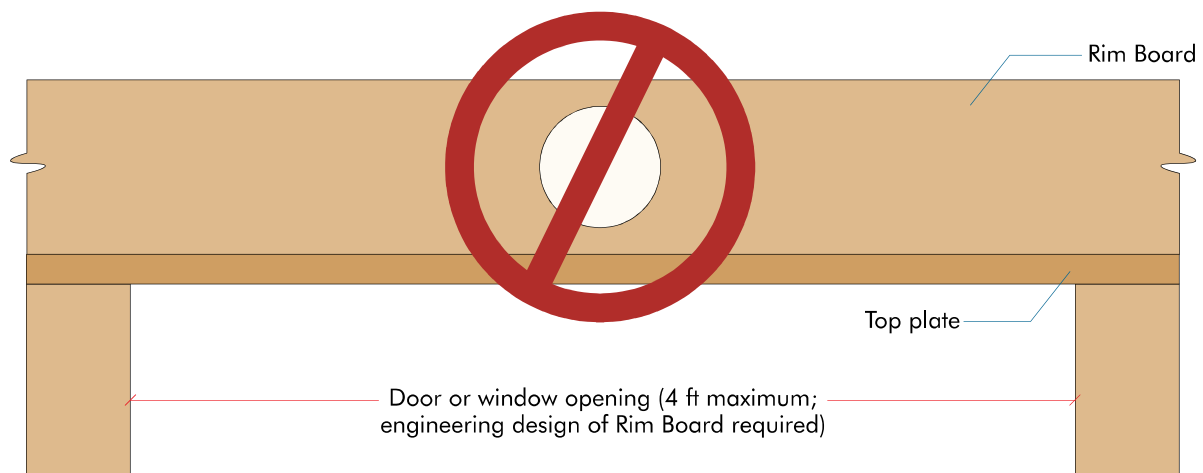
Application Notes

- Do not cut holes in Rim Board installed over openings, such as doors or windows, where the Rim Board is not fully supported, except that holes of 1-1/2 inches or less in size are permitted provided they are positioned at the mid-depth and in the middle one-third of the span (see Note 5 for minimum hole spacing).

FIGURE 7

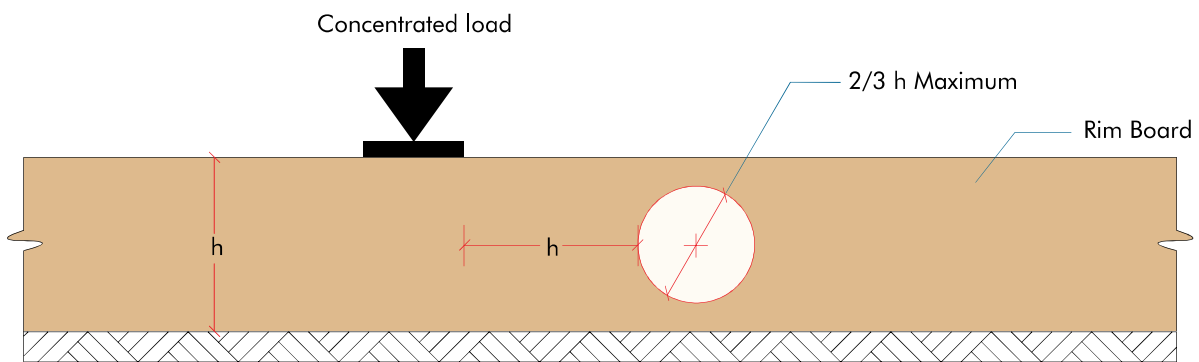
RIM BOARD OVER AN OPENING

Do not cut holes in Rim Board over opening except for holes of 1-1/2" or less in size (see Application Note 1).



2. Field-cut holes should be vertically centered in the Rim Board and at least one hole diameter or 6 inches, whichever is less, clear distance away from the end of the wall line. Holes should never be placed such that they interfere with the attachment of the Rim Board to the ends of the floor joist, or any other code-required nailing.
3. While round holes are preferred, rectangular holes may be used providing the corners are not over-cut. Slightly rounding corners by pre-drilling with a 1-inch-diameter bit is recommended.
4. When concentrated loads are present on the Rim Board (loads not supported by any other vertical-load-carrying members such as squash blocks), holes should not be placed in the Rim Board within a distance equal to the depth of the Rim Board from the area of loading.

FIGURE 8

RIM BOARD NEAR CONCENTRATED VERTICAL LOAD

5. For multiple holes, the clear spacing between holes shall be at least two times the diameter of the larger hole, or twice the length of the longest side of the longest rectangular hole. This minimum hole spacing does not apply to holes of 1-1/2 inches or less in diameter, which can be placed anywhere in the Rim Board (see Note 1 for holes over opening) except that the clear distance to the adjacent hole shall be 3 inches minimum.
6. All holes shall be cut in accordance with the limitations listed above. See the information for cutting holes under Figure 6.

FIGURE 9

MULTIPLE HOLES FOR RIM BOARD