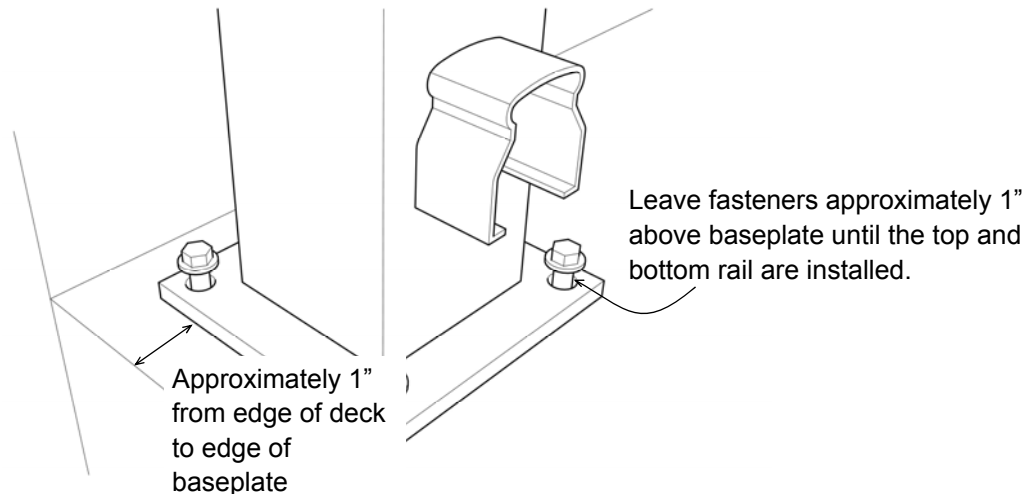
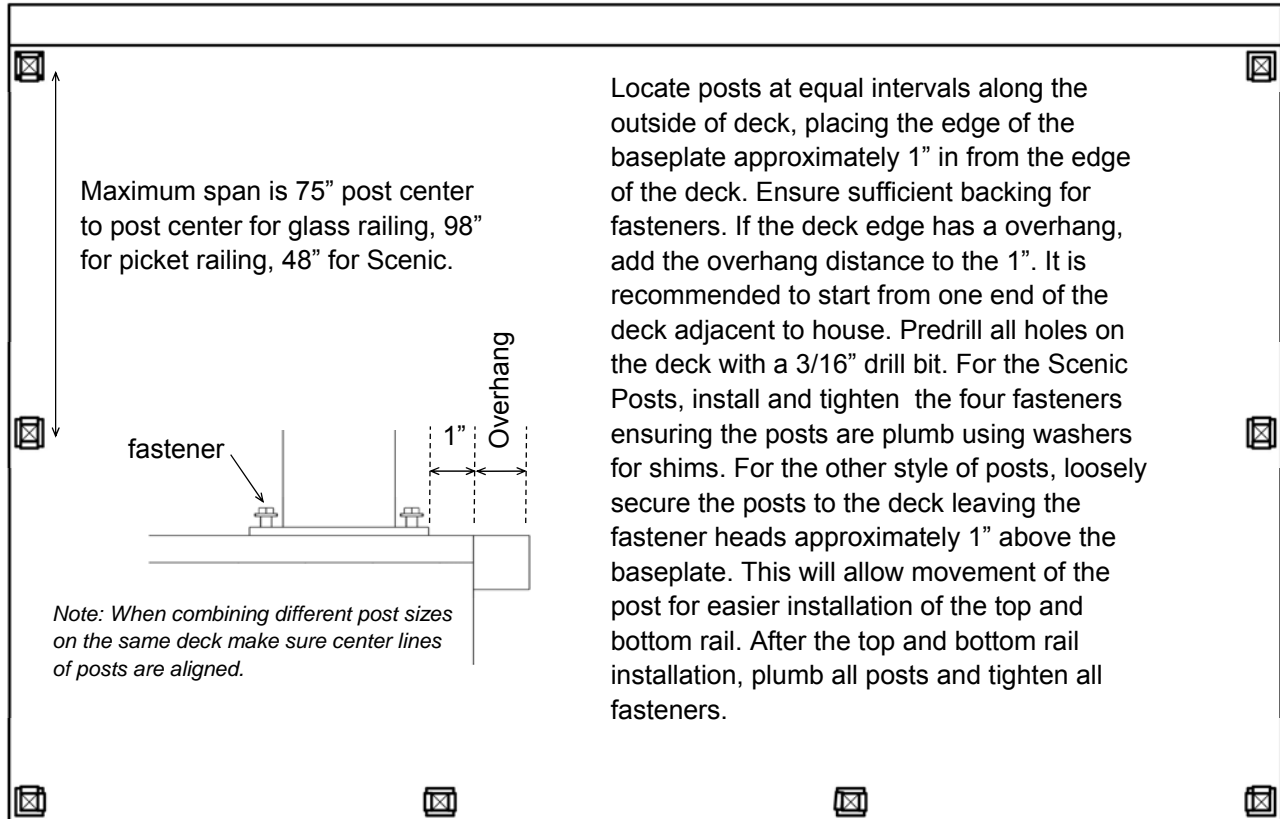




2 1/2" Deck Post Installation

Residential installation only. Commercial applications may differ.
Always check with local building codes prior to purchasing and installing this product.

EP, LP, CP, SP
EP36, LP36, CP36, SP36
SEP, SLP, SCP
Does not apply to STLP.
See separate instructions.

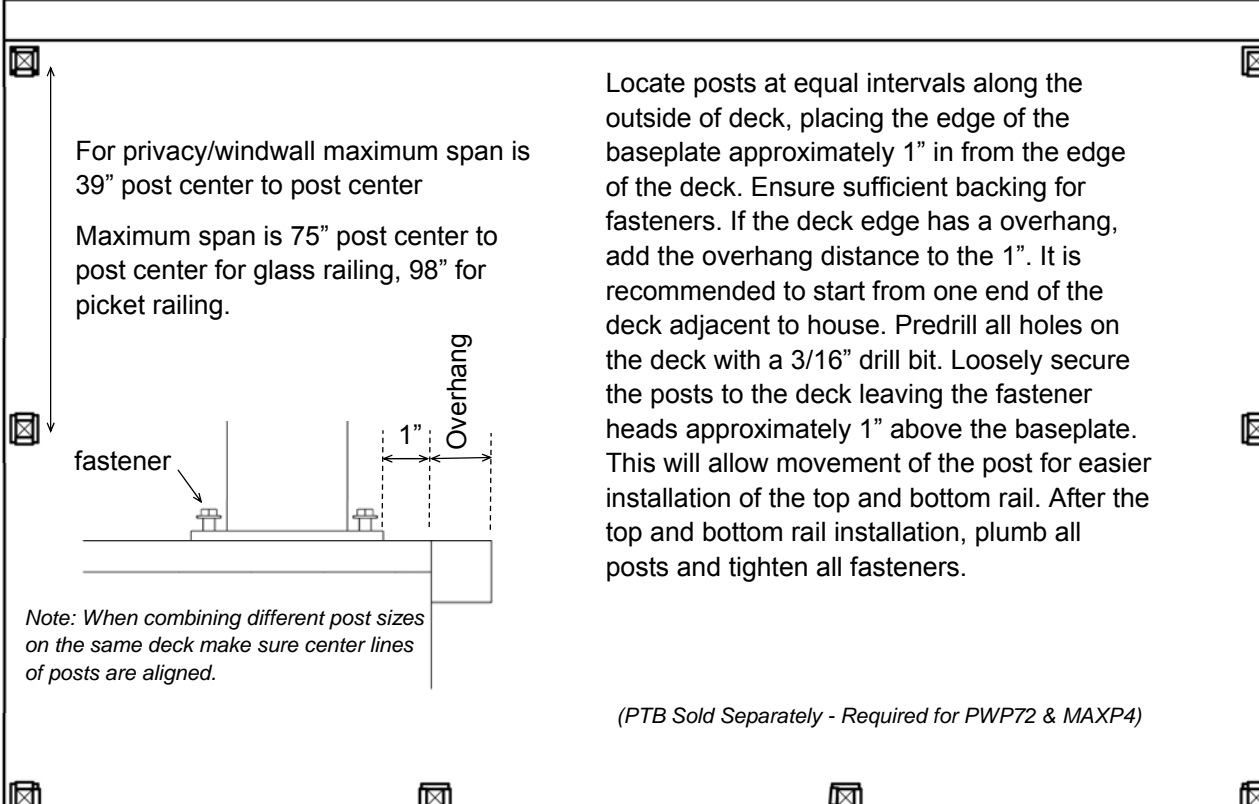


When Century Railing is being used as a guardrail, do not exceed the maximum span stated for the various types of railing as this is outside our engineering spec and is at end users own risk and could result in a failed inspection. It is the sole responsibility of the home owner/contractor to comply with local building codes.

9685 Agur St. Summerland B.C. V0H 1Z2
Phone: 778-516-6250 Fax: 778-516-6003 Toll Free 1-888-493-1103
www.centuryrailings.com
For further detailed instructions visit our website or call us toll free

3" & 4" Deck Post Installation

Residential installation only. Commercial applications may differ.
Always check with local building codes prior to purchasing and installing this product.



For privacy/windwall maximum span is 39" post center to post center

Maximum span is 75" post center to post center for glass railing, 98" for picket railing.

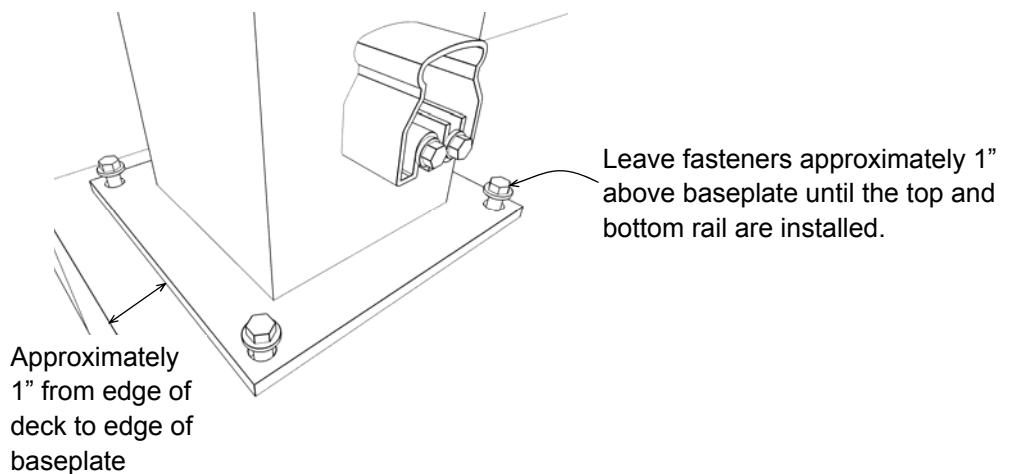
fastener

1" Overhang

Note: When combining different post sizes on the same deck make sure center lines of posts are aligned.

Locate posts at equal intervals along the outside of deck, placing the edge of the baseplate approximately 1" in from the edge of the deck. Ensure sufficient backing for fasteners. If the deck edge has an overhang, add the overhang distance to the 1". It is recommended to start from one end of the deck adjacent to house. Pre-drill all holes on the deck with a 3/16" drill bit. Loosely secure the posts to the deck leaving the fastener heads approximately 1" above the baseplate. This will allow movement of the post for easier installation of the top and bottom rail. After the top and bottom rail installation, plumb all posts and tighten all fasteners.

(PTB Sold Separately - Required for PWP72 & MAXP4)



When Century Railing is being used as a guardrail, do not exceed the maximum span stated for the various types of railing as this is outside our engineering spec and is at end users own risk and could result in a failed inspection. It is the sole responsibility of the home owner/contractor to comply with local building codes.

9685 Agur St. Summerland B.C. V0H 1Z2

Phone: 778-516-6250 Fax: 778-516-6003 Toll Free 1-888-493-1103

www.centuryrailings.com

For further detailed instructions visit our website or call us toll free