

# THE INSPIRATION SERIES

THE RESIDENTIAL METAL ROOFING COLLECTION BY VICWEST



## SUMMERSIDE™ STEEL SHINGLE Installation Manual

[vicwest.com](http://vicwest.com)



Vicwest Building Products  
Building for Tomorrow

# THE INSPIRATION SERIES

THE RESIDENTIAL METAL ROOFING COLLECTION BY VICWEST

<b>Table of Contents</b>	<b>Page(s)</b>
<b>Important Notices</b>	<b>3</b>
<b>Residential Roofing Application</b>	<b>4</b>
<b>Trims &amp; Accessories</b>	<b>5</b>
<b>Trim Glossary</b>	<b>6, 7, 8</b>
<b>Estimating Material</b>	<b>9</b>
<b>Eave Trim Installation</b>	<b>10</b>
<b>Connecting Eavestarters</b>	<b>10</b>
<b>Gable Trim</b>	<b>10</b>
<b>Valley Flashing</b>	<b>10</b>
<b>Sidewall Flashing</b>	<b>11</b>
<b>Endwall Flashing</b>	<b>11</b>
<b>Transition Trim/Hip Cap</b>	<b>11</b>
<b>Summerside™ Steel Shingle Installation</b>	<b>12</b>
<b>Shingle Installation with Valleys</b>	<b>13</b>
<b>Ridge Caps and Ventilation</b>	<b>14</b>
<b>Cottage Hip</b>	<b>15</b>
<b>Replacing a Shingle</b>	<b>16, 17</b>
<b>Dektite® Combo Flashing</b>	<b>18</b>
<b>Warranty</b>	<b>19</b>

# THE INSPIRATION SERIES

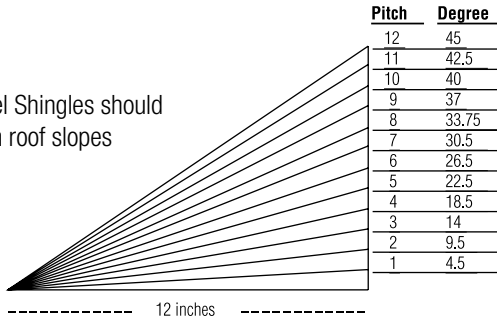
THE RESIDENTIAL METAL ROOFING COLLECTION BY VICWEST

## Important Notices

The following installation guide is a step by step procedure for applying the Vicwest Summerside™ Steel Shingle. Great care must be taken to use Vicwest trims, flashings, underlayment and approved accessories to ensure a perfect, long lasting, leak proof roof. Many inexperienced applicators try to cut corners but the end result is a roof that fails! Please follow this guide. If you have any questions, contact your local authorized Vicwest dealer for further information. Vicwest offers this information as a guideline only and assumes no responsibility whatsoever regarding improper installation or improper use of its products.

### Roof Pitch

Summerside™ Steel Shingles should only be installed on roof slopes of 4/12 or greater.



### Storage

Summerside™ Steel Shingles and accessories must be stored in a dry, ventilated area protected from moisture and chemicals. It is recommended to install the shingle as soon as possible after purchase.

### Steel Shingles

Steel Shingles: Our shingles are manufactured from 28 gauge embossed steel. Vicwest uses a Silicone Modified Polyester (SMP) paint system uses a proprietary resin to create a hard-wearing, no maintenance finish that exhibits remarkable color and gloss retention, superior chalk resistance and resistance to stains, abrasions and metal marking.

### Warranty

Please refer to [www.vicwest.com](http://www.vicwest.com) for warranty information on the Summerside™ Steel Shingle.

### Work Safety

Make sure to wear appropriate safety and fall restraint equipment as well as soft soled shoes. Soft soled shoes will better grip the surface of the shingle as well as protect the painted finish. When stepping on the shingles place your foot in the centre, **not on the** interlocking edges.



### New Construction

Summerside™ Steel Shingles are to be installed on a solid surface roof, (spruce plywood, OSB, pine roof boards). Please consult your local building official for further information. Your entire roof surface will need to be covered with either Vicwest Synthetic Underlayment or Vicwest Peel & Stick Underlayment before beginning installation of the steel shingles. Vicwest recommends continuous venting at the ridge. With proper ventilation in the eaves of the structure this makes for the most effective form of ventilation for the roof.

### Re-Roofing Over Existing Shingles

Summerside™ Steel Shingles may be installed over one layer of existing asphalt shingles. Vicwest Synthetic Underlayment must be applied under the Summerside™ Steel Shingle and over the existing asphalt shingle. All foreign materials, damaged or curled shingles must be removed before installation of our metal shingles. Longer fasteners will be required when applying the steel shingle on this type of installation.

### The following steps must be done to ensure a proper installation:

- 1) Cut back existing shingles flush with the perimeter of the roof
- 2) Remove any existing eave/gable flashings
- 3) Remove all ridge/hip cap materials
- 4) Use a chalk line when installing over the eavestarter.  
Do not depend on the roof edge to be straight or square.
- 5) Install eavestarter as per instructions in Step 1:1 and 1:2.

When ordering your new Vicwest Summerside™ Steel Shingle, inform your dealer of the type of installation of your project.

# THE INSPIRATION SERIES

THE RESIDENTIAL METAL ROOFING COLLECTION BY VICWEST

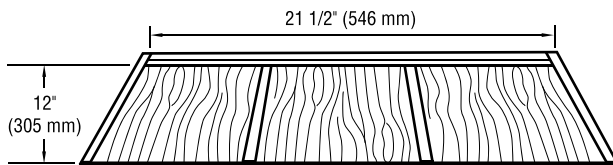
## Residential Roofing Application

### Summerside™ Steel Shingles

Summerside™ Steel Shingles are designed to outlast and outperform traditional roofing materials. They are precision engineered from 28 gauge steel with a double embossed finish, so they're stronger than most other steel shingle roofing systems. The unique four way interlocking system tightens on all four sides to resist wind uplift and heavy snow loads. And because they are non-combustible, the steel panels cannot catch fire.

#### Product Overview

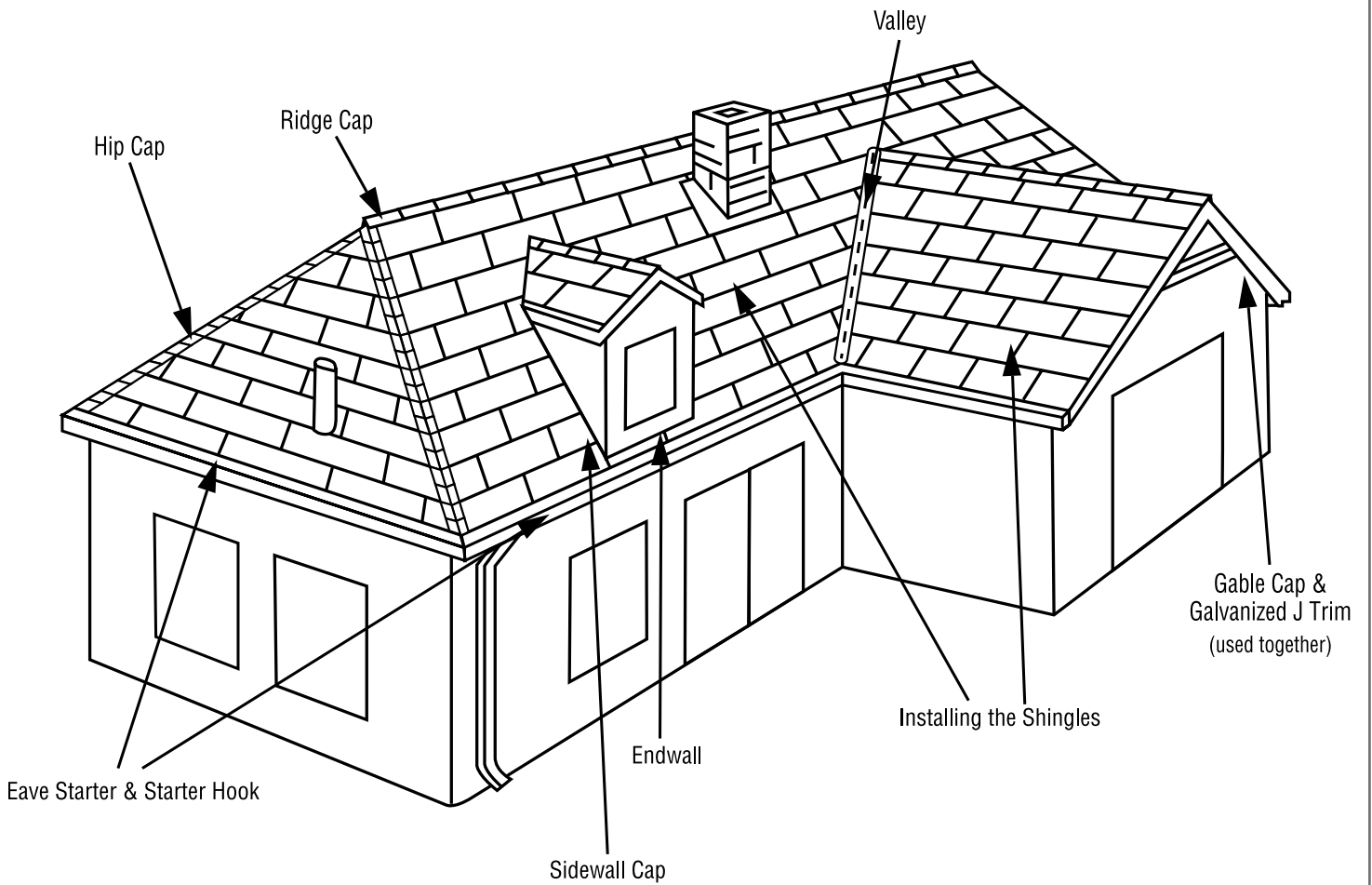
Panel Size:	21-1/2" x 12" (546 mm x 305 mm)
Panel Width:	12" (305 mm)
Weight:	Approx. 23 kg/box of 28 tiles
Panel Exposure:	.5 covered square/box of 28 tiles



# THE INSPIRATION SERIES

THE RESIDENTIAL METAL ROOFING COLLECTION BY VICWEST

## Trims & Accessories



# THE INSPIRATION SERIES

THE RESIDENTIAL METAL ROOFING COLLECTION BY VICWEST

## Trim Glossary

TRIM/ACCESSORY			DESCRIPTION
Galvanized J Trim 28 ga.			Galvanized 10'-0" (3048 mm)
Gable Cap Embossed			Pre-painted 10'-0" (3048 mm)
Sidewall Cap Embossed			Pre-painted 10'-0" (3048 mm)
Endwall Embossed			Pre-painted 10'-0" (3048 mm)
Transition Embossed			Pre-painted 10'-0" (3048 mm)
Hip Cap Embossed			Pre-painted 10'-0" (3048 mm)
Valley Embossed			Pre-painted 10'-0" (3048 mm)
Galvanized Starter Hook 24 ga.			Galvanized 10'-0" (3048 mm)
Eavestarter Non-Embossed			Pre-painted 10'-0" (3048 mm)

# THE INSPIRATION SERIES

THE RESIDENTIAL METAL ROOFING COLLECTION BY VICWEST

## Trim Glossary

TRIM/ACCESSORY			DESCRIPTION
Under Ridge Cap 26 ga.			Galvanized 10'-0" (3048 mm)
Ridge Cap Embossed			Pre-painted 10'-0" (3048 mm)
S125 Starter Eave Trim (Embossed)			Pre-painted 10'-0" (3048 mm)
Vicwest Synthetic Underlayment			48" x 250' roll covers 1000 sq.ft
* Vicwest Self Adhering Underlayment			36" x 66.7' covers 200 sq.ft
Woodgrip™ Screws (No Washers)			#9 x 1-1/2" (38 mm) Galvanized or Colour Matched
Woodgrip™ Screws (No Washers)			#9 x 2" (50.8 mm) Galvanized or Colour Matched
Polar Blox			Clear

\* Vicwest Self Adhering Underlayment is strongly recommended to cover 3' of roof perimeter and on all hips and valleys

# THE INSPIRATION SERIES

THE RESIDENTIAL METAL ROOFING COLLECTION BY VICWEST

## Trim Glossary

TRIM/ACCESSORY	DESCRIPTION
Ridge Vent	5/8" thick x 9" wide x 20' long
Sealant	Colour Matched
Metal Building Tape	1/8" x 1/2" x 25' long
Hip & Valley Sealer	3/4" x 1" x 19'-10-1/4" long (19.05 mm x 25.4 mm x 6051.55 mm)
Dektite® Combo Flashing	#3 fits 1/4" to a 5" diameter pipe

### RECOMMENDED TOOLS



Tru-Cut Shear



TSHD Turbo Shear

Battery Operated Drill

Caulking Gun

Metal Snips

Tape Measure

Vicwest Shear

Chalk Line

Folding Tool

Ladder



## Determining How Much Material You'll Need

### Quick Step Method (approximate)

1. Determine roof square footage without waste.

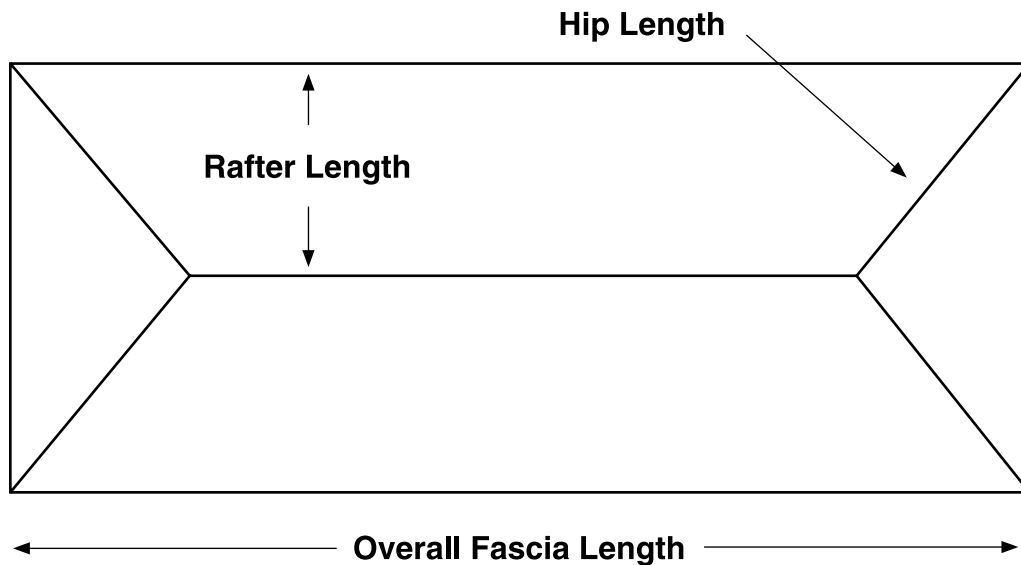
*Overall Fascia Length x (Rafter Length x2) = Square Footage Without Waste*

2. Add total linear feet of all hips and valleys. Multiply by 2.

3. Add totals from steps 1 and 2.

4. Multiply total by 1.03. This yields roof square feet including waste.

2 boxes of Summerside™ Steel Shingles = 1 square (100 sq. ft. of roof material)

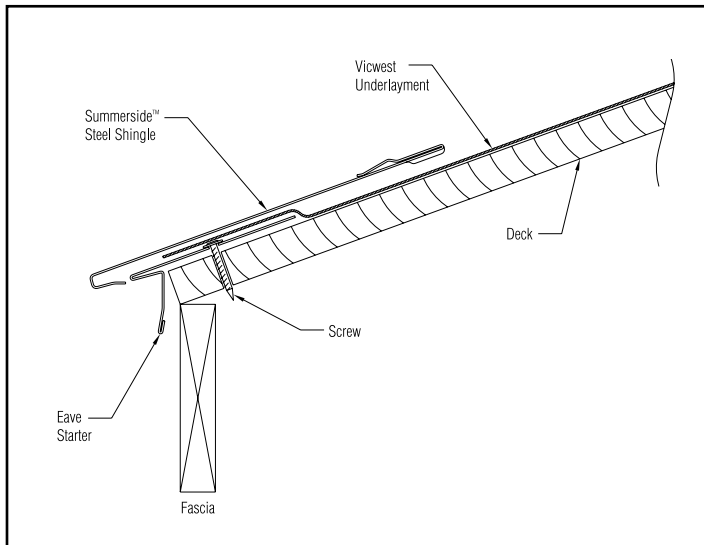


# THE INSPIRATION SERIES

THE RESIDENTIAL METAL ROOFING COLLECTION BY VICWEST

## Eave Trim Installation

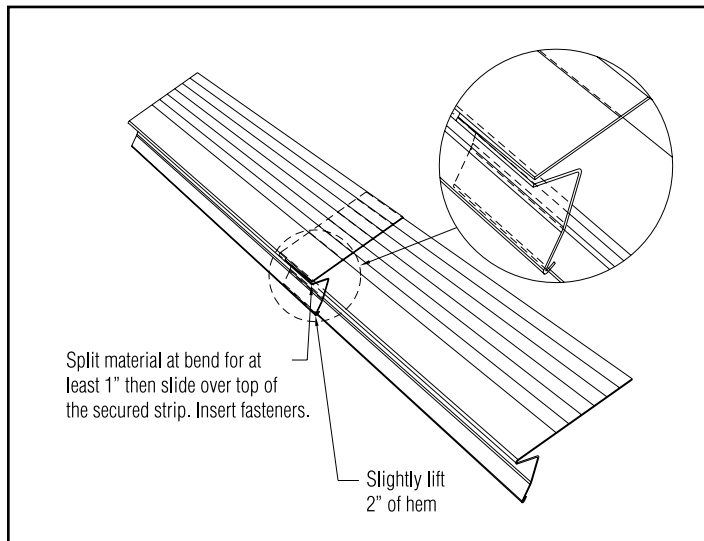
Insert the eavestarter between the Vicwest Underlayment and the wood deck. Use galvanized screws every 12" on centre to fasten the trim to the roof deck. When re-roofing over existing shingles use a galvanized screw that will penetrate the deck a minimum of 1". If your region is subject to high winds it is recommended that fastening be done into the fascia through the face of the eavestarter as well.



## Connecting Eavestarters

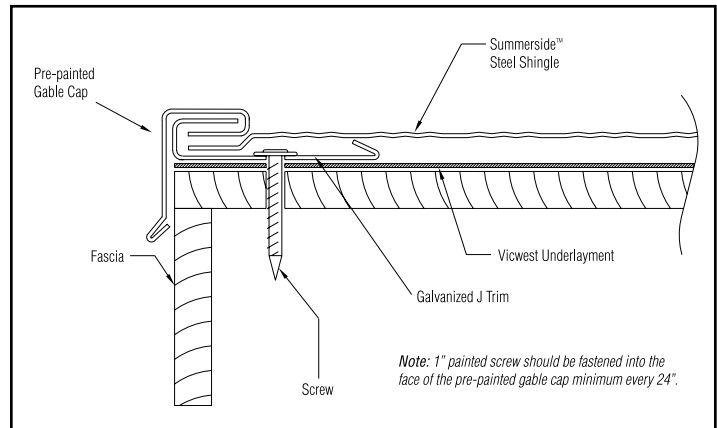
Eavestarter comes in 10 foot lengths only. There will be points of overlap. Notch the edge bend on the eavestarter leg about 1". Now slide the notched eavestarter over top of the secured piece. Press the two pieces together and insert fasteners.

**Note:** never install fasteners through the joint, place approximately 2" away.



## Gable Trim

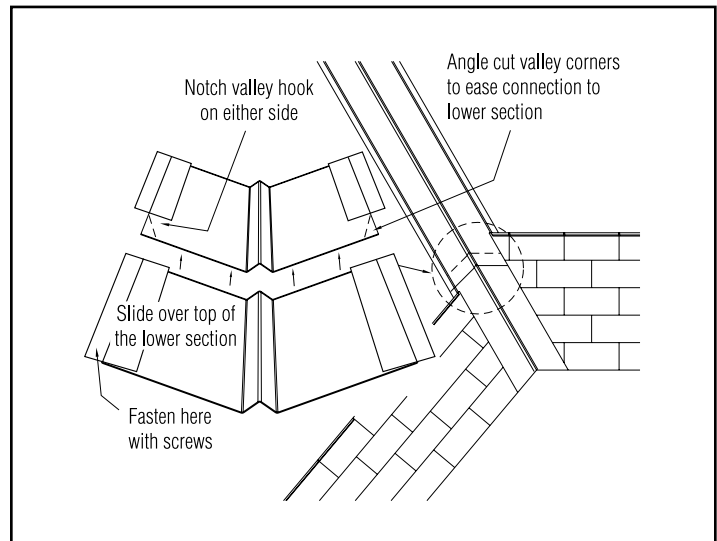
Galvanized J trim combined with the painted gable cap is used on all gable ends. Install the galvanized J trim on top of the Vicwest Underlayment and the roof deck. A 1" painted screw should be fastened into the face of the pre-painted gable cap minimum every 24". Insert the shingle into the opening of the J trim. Finish by locking the gable cap into the galvanized trim; then, surface screw the cap into your fascia using a pre-painted 1" fastener.



## Valley Flashing

Valley flashing should follow the centre line of the roof valley. In order to maintain a clean, even look ensure the valley runs straight. Begin by installing from the eave. The first section of valley flashing will overlap the eavestarter. Fasten valley every 16" up its length on both sides. The end of the valley should be cut on the angles matching the two adjoining roof sections.

Overlap upper valley flashing a minimum of 6" on the top side of the lower valley flashing. This will allow for complete run off of water without penetrating your valley flashing.



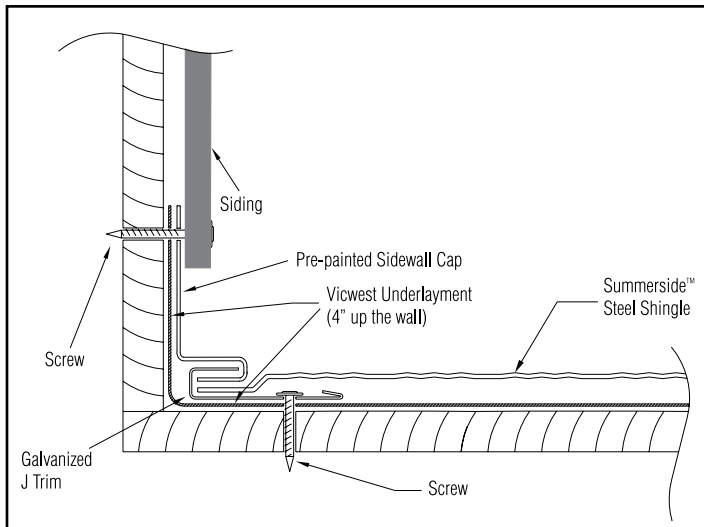
# THE INSPIRATION SERIES

THE RESIDENTIAL METAL ROOFING COLLECTION BY VICWEST

## Sidewall Flashing

### Galvanized J Trim and Sidewall Cap Detail

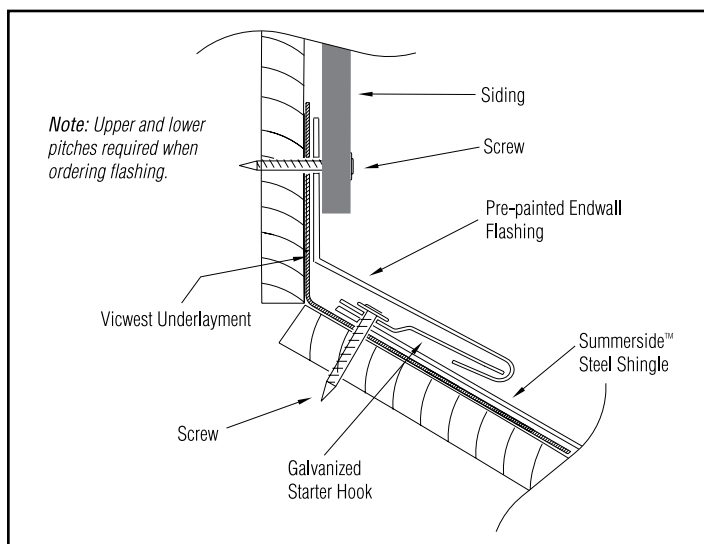
Vicwest Underlayment should run from the roof up the wall a minimum of 4". Install the galvanized J trim over the roofing underlayment flush to the wall using fasteners a minimum of every 16". Insert the Summerside™ Steel Shingle into the J trim and fasten to the roof. Install the sidewall cap by locking into the J trim. The vertical surface of the sidewall cap runs up the wall behind the siding or wall covering. Fasten through the vertical leg.



## Endwall Flashing

### Starter Hook and Endwall Flashing Detail

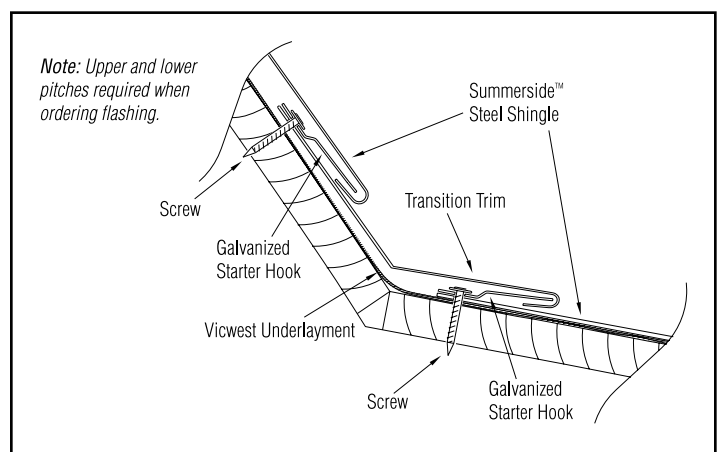
Vicwest Underlayment should run from the roof up the wall a minimum of 4". Install the Summerside™ Steel Shingle as close to the upper wall as possible. Measure 5 1/2" from wall and snap a chalk line across the shingle. Install the galvanized starter hook along this line using 1 1/2" galvanized roofing screws no less than 16" on centre. Lock the pre-painted endwall flashing into the starter hook. The vertical surface of the endwall cap should run up the wall behind the siding or wall covering. Fasten through the vertical leg.



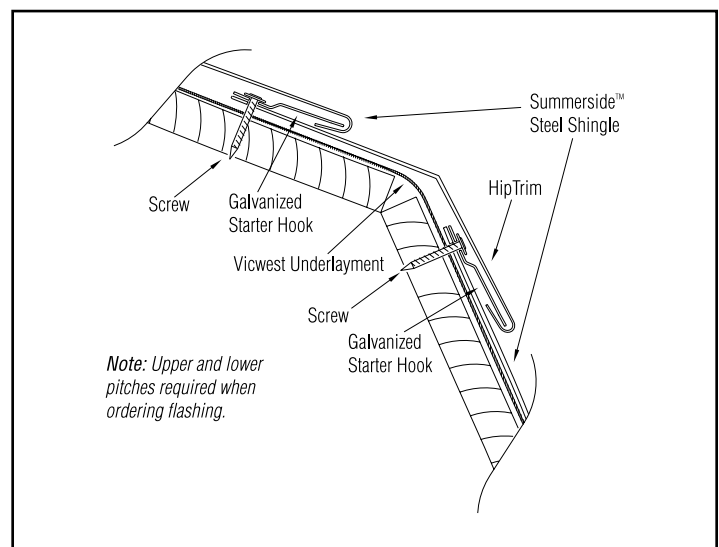
## Transition Trim/Hip Cap

Install the Summerside™ Steel Shingle as close to the point of the transition/hip change. Measure 5 1/2" from the pitch change and snap a chalk line across the shingle. Install the galvanized starter hook along this line. Lock the transition/hip cap into the starter hook. Fasten the upper leg of the trim to the upper roof with roofing nails at no more than 16" on centre. On the upper leg of the transition/hip cap measure up to 1 1/2" from the angle change of the cap and snap a chalk line across the roof. Apply the galvanized starter hook (hook pointing down the roof) onto the upper part of the caps using 1 1/2" galvanized roofing screws no less than 16" on centre. Lock the upper row of shingles of the starter hook. Be sure to align your shingles to match the lower course of the roof.

### Transition Trim



### Hip Detail



# THE INSPIRATION SERIES

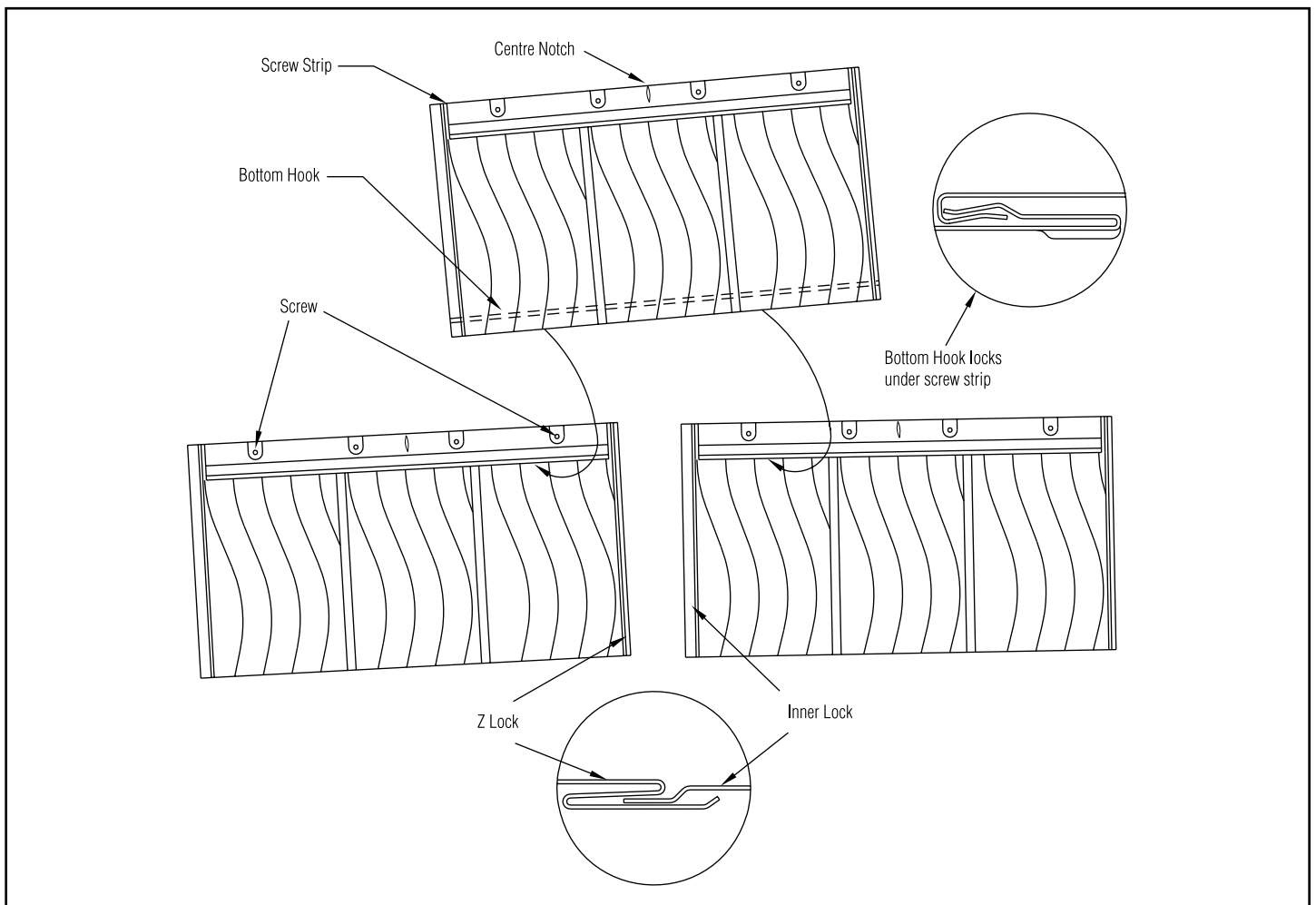
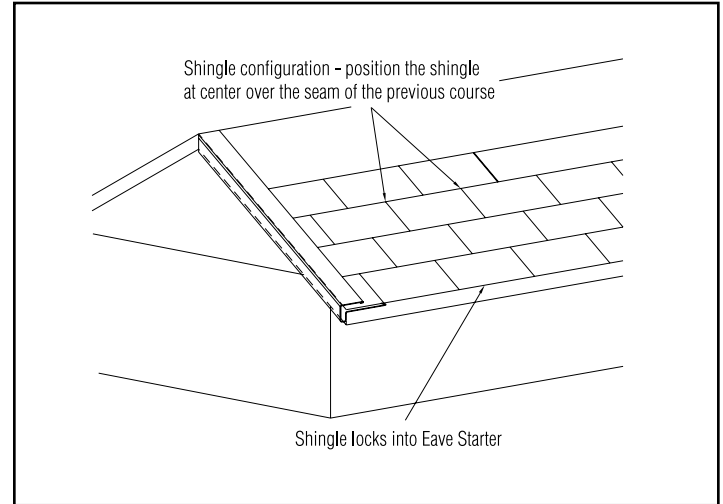
THE RESIDENTIAL METAL ROOFING COLLECTION BY VICWEST

## Summerside™ Steel Shingle Installation

Begin by installing the shingle starting from either the left or the right side. The first row of shingles locks into the eavestarter. Subsequent rows lock into place by sliding the bottom hook of each shingle into the screw strip of the previous row. The generous width of the locks allows alignment of the row to ensure symmetry. Insert two 1 1/2" galvanized roofing screws, one into the far right screw hole and one into the far left screw hole.

**Note:** in high wind areas insert roofing screws into ALL screw holes. The inner lock of each shingle slides into the Z lock of the adjacent shingle, the push the shingle up the roof so the bottom hook snaps into the screw strip.

Each row of shingles will need to be offset from the previous row. To ensure a visually appealing alignment position the offset at the centre notch of the screw strip. Other shingles can then be snapped in from there. Follow the same pattern for each row of shingles.



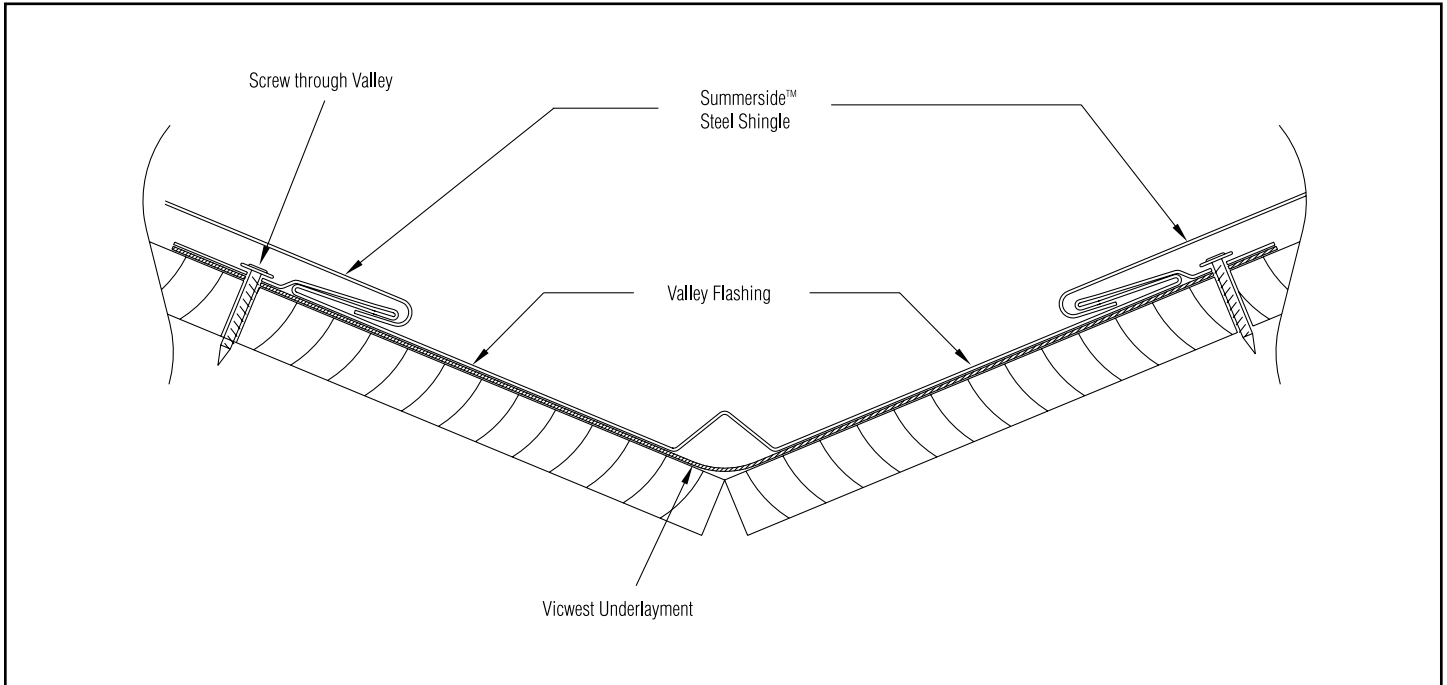
# THE INSPIRATION SERIES

THE RESIDENTIAL METAL ROOFING COLLECTION BY VICWEST

## Shingle Installation with Valleys

### Valley detail showing fold over and how to start.

Where there is a valley we suggest applying the shingle from the valley towards the gable ends. Position a full shingle on the second row and offset to match the existing pattern. Place a shingle over the valley to determine the angle of cut. Leave 3/4" to fold under which allows the shingle to lock into the valley clip. If the shingle section that is to lock into the valley is too narrow, you can pop rivet the shorter piece to the adjacent shingle, then install as one unit.

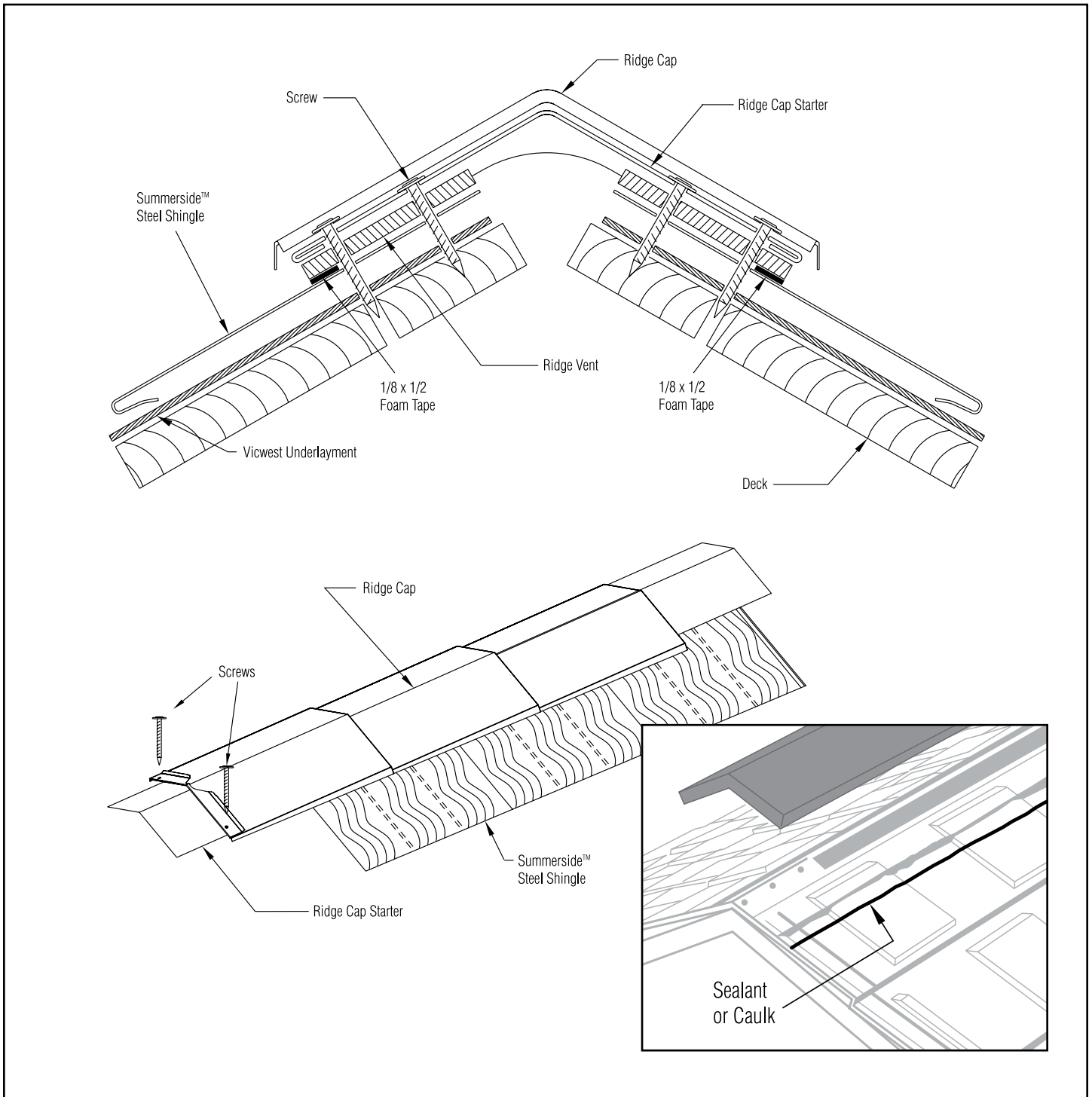


# THE INSPIRATION SERIES

THE RESIDENTIAL METAL ROOFING COLLECTION BY VICWEST

## Ridge Caps and Ventilation

Two piece ridge cap and Quarrix® ridge vent are required on all roofs. Install the Summerside™ Steel Shingle to within 2" of the peak of the roof. Measure 4" down from the peak and apply 1/8" by 1/2" foam tape along the entire roof, (both sides of peak). Lay down Quarrix® ridge vent (20' roll), then the 9" galvanized ridge cap, fasten with 2" galvanized roofing screws both sides at no more than 16" on centre. Apply the pre-painted Summerside™ Ridge Cap on top of the galvanized cap using two 2" galvanized roofing screws, locking the next section into the previous, fastening and continuing along the entire ridge line. Ridge caps should be installed moving in the direction of the prevailing wind. The first and last cap will need to be cut and folded at the gable end and secured to the fascia.

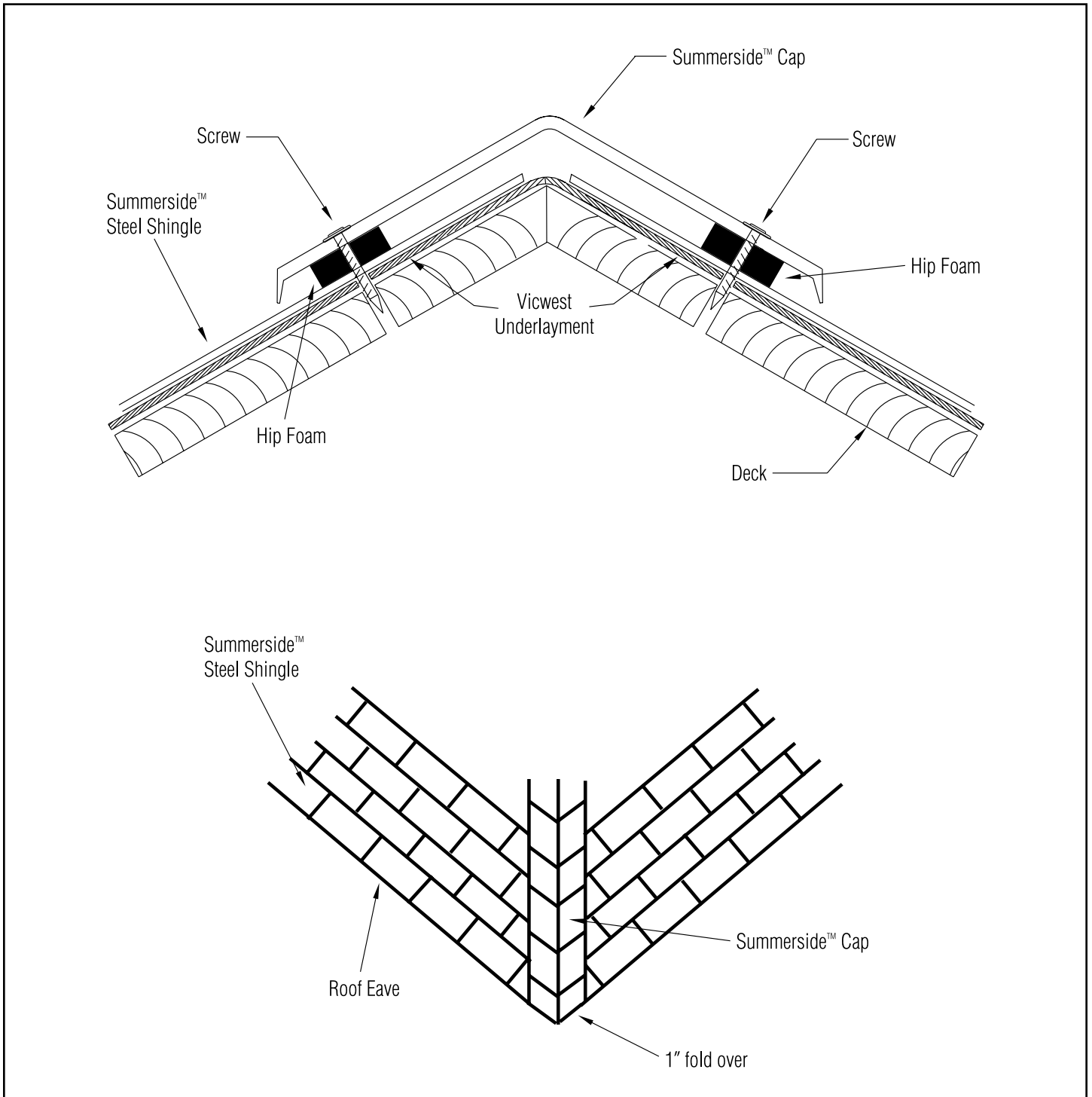


# THE INSPIRATION SERIES

THE RESIDENTIAL METAL ROOFING COLLECTION BY VICWEST

## Cottage Hip

Cut the angle required on the Summerside™ Steel Shingle and install to the point of the hip. Apply hip sealer foam both sides, on top of the shingle, no more than 4" from peak of the hip. Starting at the lower part of the roof, cut a piece of Summerside™ Cap to the angle of the eaves. Fold over a minimum of 1" and lock the cap into the lower row of shingles. Screw the first cap in place and work your way up the hip fastening each piece. At the top of the hip, finish by installing the cap under the Summerside™ Ridge.



## Replacing a Shingle

This is one suggested method to replace a damaged shingle.

**1.** Cut out the lower lock of the damaged shingle leaving the balance of the shingle in place. If there is more than one shingle to replace cut across as many that is required.



**2.** Trim off the top lock of a new shingle approx 1" up from the bottom edge of the top lock.



**3.** New shingle with top lock trimmed.



**4.** Using a knife score the bend between the two sections of the right side lock. Break this tab off.



**5.** Trim an additional 1/8" off the remaining tab of the right side lock.



**6.** The side locks may need to be opened very slightly to slide the new shingle in place





# THE INSPIRATION SERIES

THE RESIDENTIAL METAL ROOFING COLLECTION BY VICWEST

**7.** Insert the new shingle into the left side while hooking the right side over the right lock of the existing shingle and gently slide the shingle upwards. The top of the new shingle will need to be slipped under the lock of the shingle above and hooked over the lock of the shingle below.



**9.** The shingle is in place.



**8.** A wood block and hammer can be used to tap the shingle upwards into place.



**10.** A rivet gun could be used to place two rivets at the top of the new shingle to keep it from sliding down. Adhesive caulking could also be applied between the new and old shingle to keep the new shingle in place.



# THE INSPIRATION SERIES

THE RESIDENTIAL METAL ROOFING COLLECTION BY VICWEST

## Dektite® Combo Flashing

For use with hydro masts and vent pipes.

Cut to size, place bead of silicone around metal base from base to ribs or profile and then fasten with skirt flange screws.



- Standard flashing and retrofit flashing all in one
- When retrofit is required just add clips for easy application
- Internal cone design provides 1/2" of continuous contact
- Pipe OD markings clearly shown on cutting groves
- Large base design to improve sealing on high rib metal roof sheets
- 20 Year Warranty

Available in Black

(Grey EPDM & Red Silicone Available by Special Order)

EPDM will withstand constant temperatures at the roofline of -50°C (-122°F) to 115°C (239°F) & up to 150°C (302°F) intermittently.

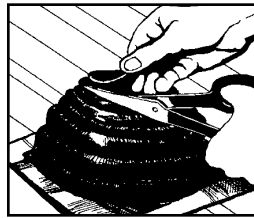
Red Silicone will withstand constant temperatures at the roofline of -50°C (-122°F) to 200°C (392°F) & up to 250°C (482°F) intermittently.

1. When used in retrofit application apply silicone to both seam & underside
2. Limited spacing may occur between clips
3. Fasten clips using multigrips, working from top to base
- 4 Fasten combo base by placing a fastener either side of clips first

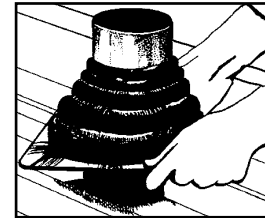
\*Always use the neutral base low modulus silicone for sealing

\*\*In corrosive and coastal environments fix blind aluminum rivets

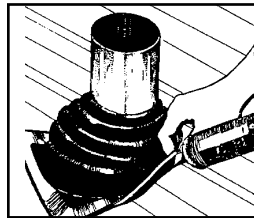
## Dektite® Combo Flashing Installation



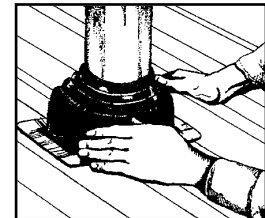
1. TRIM - Cut opening 20% smaller than pipe diameter.



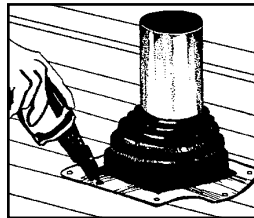
2. SLIDE - Slip Dektite® Combo Flashing over pipe.



3. SEAL - Apply urethane / silicone sealant between Dektite® Combo Flashing and roofing.



4. FORM - Bend aluminum base to fit irregularities. Use large slot screwdriver to press into tight angles.



5. FASTEN - Complete the seal using common weather-resistant fasteners.

CODE	DESCRIPTION	PIPE SIZE METRIC	PIPE SIZE IMPERIAL	ROOF PITCH	BASE MM	INCHES	COLOURS	MAX # OF DC CLIPS (TWINS) REQUIRED
DC101	Dektite® Combo #1	5-60 mm	1/4" - 2 1/2"	0-40° or 10/12	139 x 139 mm	5 1/2" x 5 1/2"	Black, Grey (EPDM)* Red Silicone*	2
DC102	Dektite® Combo #2	45-85 mm	1 3/4" - 3 1/4"	0-40° or 10/12	177 x 177 mm	7" x 7"	Black, Grey (EPDM)* Red Silicone*	3
DC103	Dektite® Combo #3	5-127 mm	1/4" - 5"	0-40° or 10/12	216 x 216 mm	8 1/2" x 8 1/2"	Black, Grey (EPDM)* Red Silicone*	4
DC104	Dektite® Combo #4	75-175 mm	3" - 7"	0-40° or 10/12	285 x 285 mm	11 1/4" x 11 1/4"	Black, Grey (EPDM)* Red Silicone*	5
DC105	Dektite® Combo #5	108-190 mm	4 1/4" - 7 1/2"	0-40° or 10/12	365 x 365 mm	14 1/4" x 14 1/4"	Black, Grey (EPDM)* Red Silicone*	6
DC106	Dektite® Combo #6	125-230 mm	5" - 9"	0-40° or 10/12	366 x 366 mm	14 1/4" x 14 1/4"	Black, Grey (EPDM)* Red Silicone*	6
DC107	Dektite® Combo #7	150-280 mm	6" - 11"	0-40° or 10/12	454 x 454 mm	17 3/4" x 17 3/4"	Black, Grey (EPDM)* Red Silicone*	7
DC108	Dektite® Combo #8	175-330 mm	7" - 13"	0-40° or 10/12	454 x 454 mm	17 3/4" x 17 3/4"	Black, Grey (EPDM)* Red Silicone*	7
DC109	Dektite® Combo #9	240-508 mm	9 1/2" - 20"	0-40° or 10/12	685 x 685 mm	27" x 27"	Black, Grey (EPDM)* Red Silicone*	12
DC110	Dektite® Combo #10	400-750 mm	15 3/4" - 29 1/2"	0-40° or 10/12	995 x 965 mm	38" x 38"	Black (EPDM)* Red Silicone*	9
DC Clip	Combo Clips Twin	25 Twins						

# THE INSPIRATION SERIES

THE RESIDENTIAL METAL ROOFING COLLECTION BY VICWEST

## Warranty Registration

Homeowners can register online at [www.vicwestwarranty.com](http://www.vicwestwarranty.com)

Upon receipt of your registration, Vicwest will forward by email the warranty with certificate number. The homeowner should keep this information in a safe place for future reference or in the event they need to submit a claim or wish to transfer the warranty where applicable.

## Disclaimer

It is the sole responsibility of the contractor to ensure installation is completed according to the directions herein, and that all construction by-laws and codes are met. The recommendations in the printed and the video versions of the installation guide are based on Vicwest's continuing program of laboratory testing, product research and comprehensive field experience. Vicwest does not and cannot cover damage of any kind resulting from faulty or improper installation.

In accordance with ongoing efforts to improve our products and their performance, Vicwest Building Products reserves the right to change, without notice, the specifications contained herein.

The contents herein are for general information and illustrative purposes only and are not intended to serve as any type of advice. Every effort is made to ensure the accuracy of the information included in this brochure and it is believed that the information contained herein is accurate and reliable as of the date of publication. Vicwest Building Products, however, does not warrant or represent the accuracy or reliability of any information included in this brochure. Any reliance on any information without consultation with Vicwest Building Products or a duly authorized representative shall be at the user's own risk.

©2017, Vicwest Building Products – All rights reserved  
March 2017



[vicwest.com](http://vicwest.com)