

4 SEASONS 10W

Model: 4SEASONS10W

GENERAL INFORMATION

Housing	Polycarbonate+ABS
Solar Panel	10W Monocrystalline
Fan Blade	9" 3 Wing Polycarbonate+ABS
Motor	Brushless DC 14V

SOLAR PANEL

Power	10W
Operating Voltage	12V (14.4V Voc)
Operating Current	0.833A
Cell Type	Monocrystalline
Lifetime	25 Years

MOTOR

Type	Brushless DC
Rotor	Inner Rotor
Ballbearings	NMB Japan
Input Voltage	14.4V
Protection	IP55

HOUSING

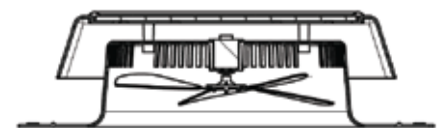
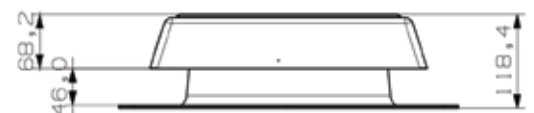
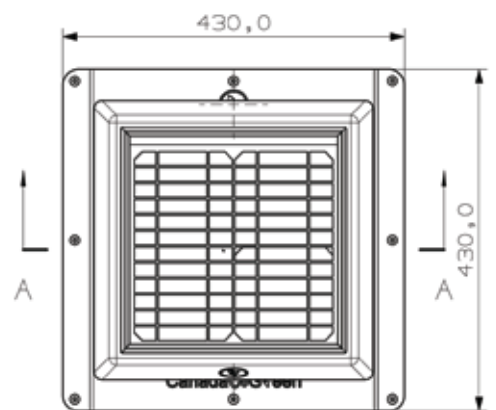
Material	PC+ABS (Makrolon® 2805)
Additives	UV Stabilizers / Anti Freeze

VENTILATION

CFM (operating fan)	up to 400 CFM
NFA (non operating fan)	42 sq inch

CERTIFICATIONS & TESTING

Solar Panel	CSA Class 5311-10 IEC 61215:2005, CE, RoHS
Impact Resistance (Hail)	Chapter 10.17 of IEC 61215
Test Conditions (Hail)	25mm diam, 23m/sec, 7.53grams
Wind and Rain	CSA A93 Resistance
Motor	FCC, CE, RoHS
Warranty	10 Years



DIMENSIONS

Width	430 mm
Length	430 mm
Height	118.4 mm
Duct Diameter	250 mm
Net Weight	2 kg

