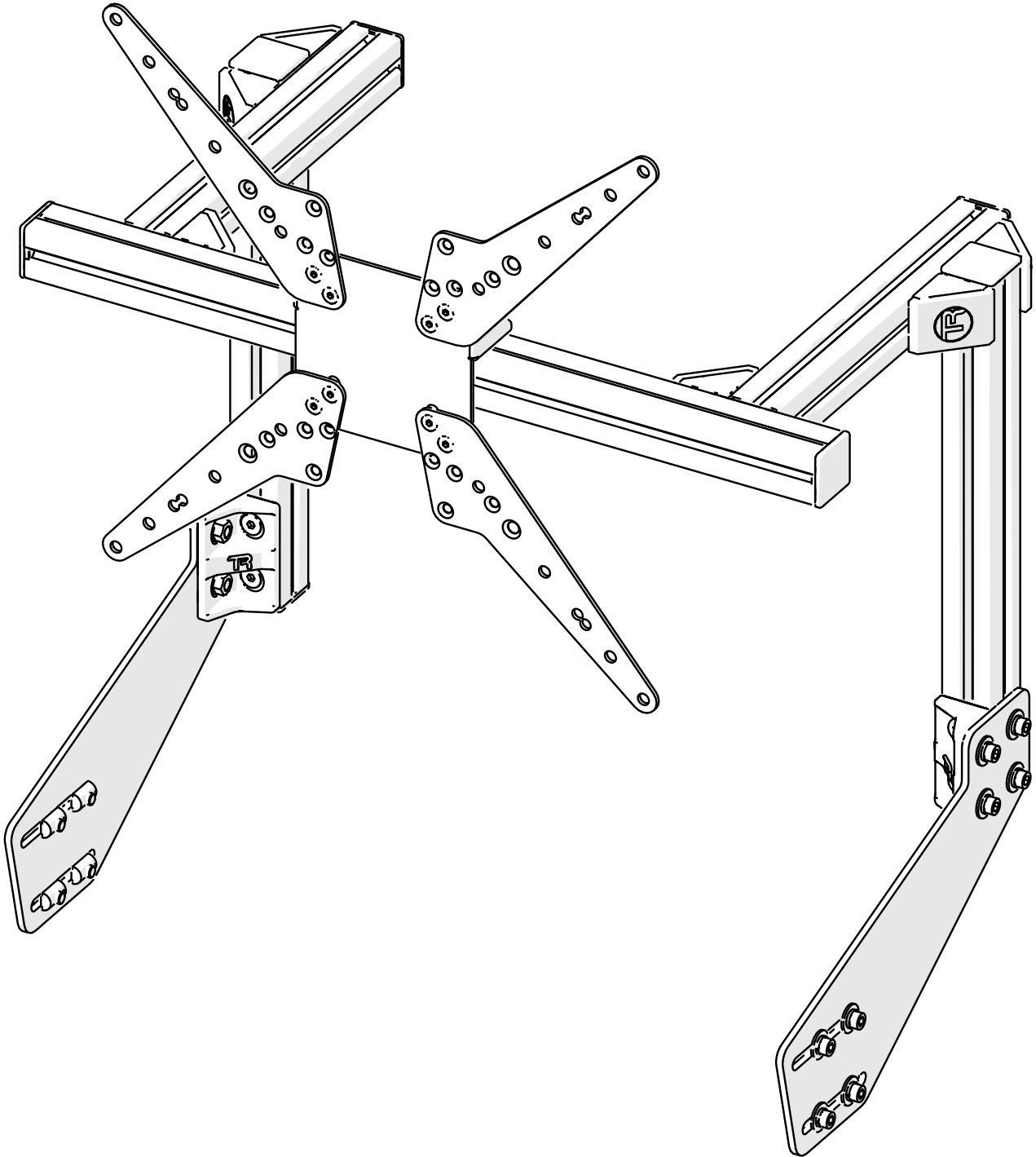


MOUNTED SINGLE MONITOR STAND - 580MM / 22.8" WIDE

Assembly Guide



MS-CM-SML2



TRAK RACER

Published 2024-07-22

TABLE OF CONTENTS

3 Symbol Legend

4 Part list

6 Assembly Notes

10 MS-CM-SML2 Assembly Instructions



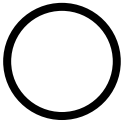
IMPORTANT: Due to the nature of cut aluminium profile, some metal shavings may still be present after our extensive QA cleaning process. We recommend that boxes and packaging is opened on a hard floor.



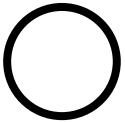
NOTE: Some screws and washers are pre-installed. These will be part of the parts list and will need to be loosened and reattached according to the instructions.



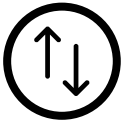
Two people needed



Tighten hardware



Leave hardware loose for adjustment



Make Adjustment



Break tab off Corner bracket CB1



Safety glasses needed



Attention / Priority



Reserve for following step



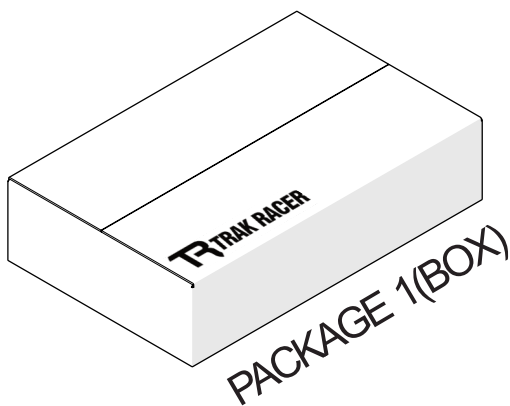
Mirrored Components (Same on both sides)



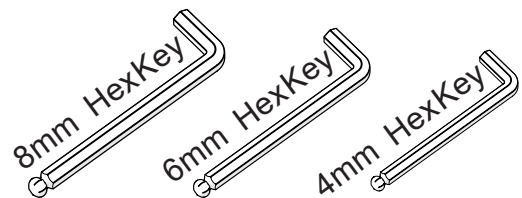
IMPORTANT: As there are different versions of each product depending on your region, please ensure that you are using the correct instruction set. The part number below should match the part number labeled on your box

MS-CM-SML2 PARTS LIST

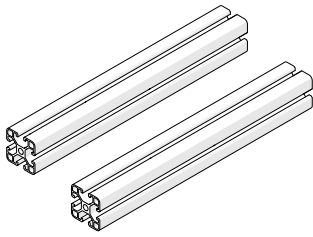
Part #	Description	QTY	Check
AL-40-300	40x400 300mm profile	2	
AL-40-400	40x400 400mm profile	2	
AL-40-600	40x400 600mm profile	1	
BA-80-S	40x80 Anodized corner bracket	2	
BS-40	Bracket, Corner with Cap, 40x40	8	
EC-40	40x40 End Cap	8	
NS-M8	M8 Ball Bearing Nut	34	
WF-M8	Washer (Flat), M8	34	
WL-M8	Washer (Lock), M8	32	
M6-16-FS	Screw (Flat), M6x16	8	
M8-16-FS	Screw (Flat), M8x16	4	
M8-16-BS	Screw (Button), M8x16	4	
40x40-EC	Screw (Hex), M8x16	2	
M8-N	Screw (Hex), M8x20	32	
M8-FW	M8 Flange Nut	4	
M8-LW	M6 Outer Hexagon Nut	8	
T1	8mm Hex Key	1	
T2	6mm Hex Key	1	
T3	4mm Hex Key	1	
P1C	Package	1	
L-01	Logo Plate	2	
TV-B-P	TV Back panel	1	
EF	Extended film	4	



INCLUDED TOOLS

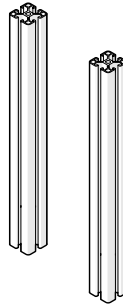


IN THE BOX



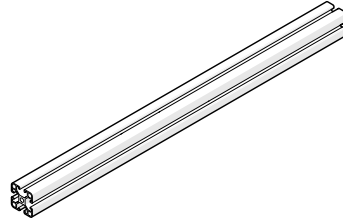
X2

40x400x300mm Profile



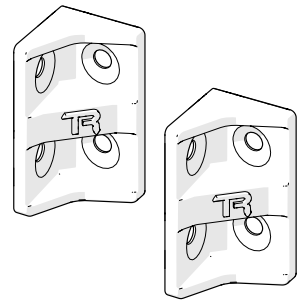
X2

40x400x400mm Profile



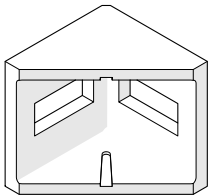
X1

40x400x600mm Profile



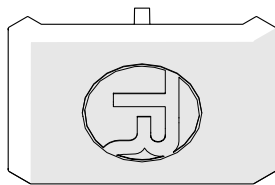
X2

40x80 Corner Bracket



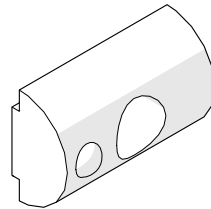
X8

40x40 Corner Bracket with Cap



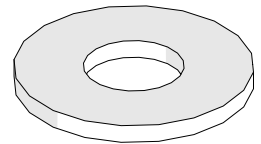
X8

40x40 End Cap



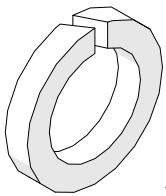
X34

M8 Ballbearing Nut



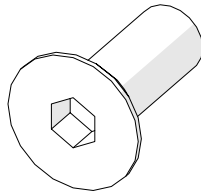
X34

M8 Flat Washer



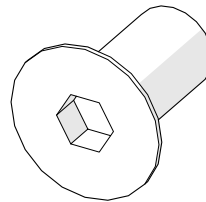
X32

M8 Lock Washer



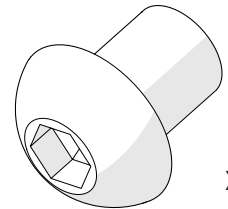
X8

M6x16mm Flat Screw



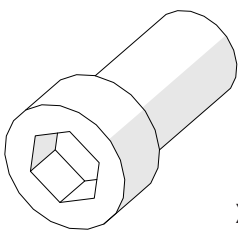
X4

M8x16mm Flat Screw



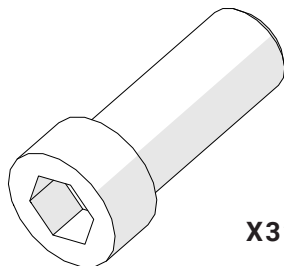
X4

M8x16mm Button Screw



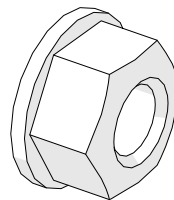
X2

M8x16mm Hex Screw



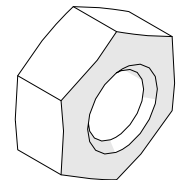
X32

M8x20mm Hex Screw



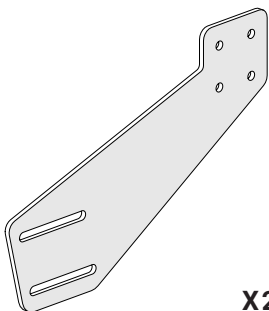
X4

M8 Flange Nut



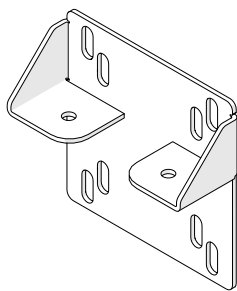
X8

M6 Outer Hexagon Nut



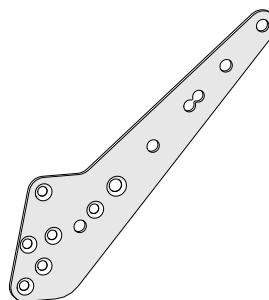
X2

Logo Plate



X1

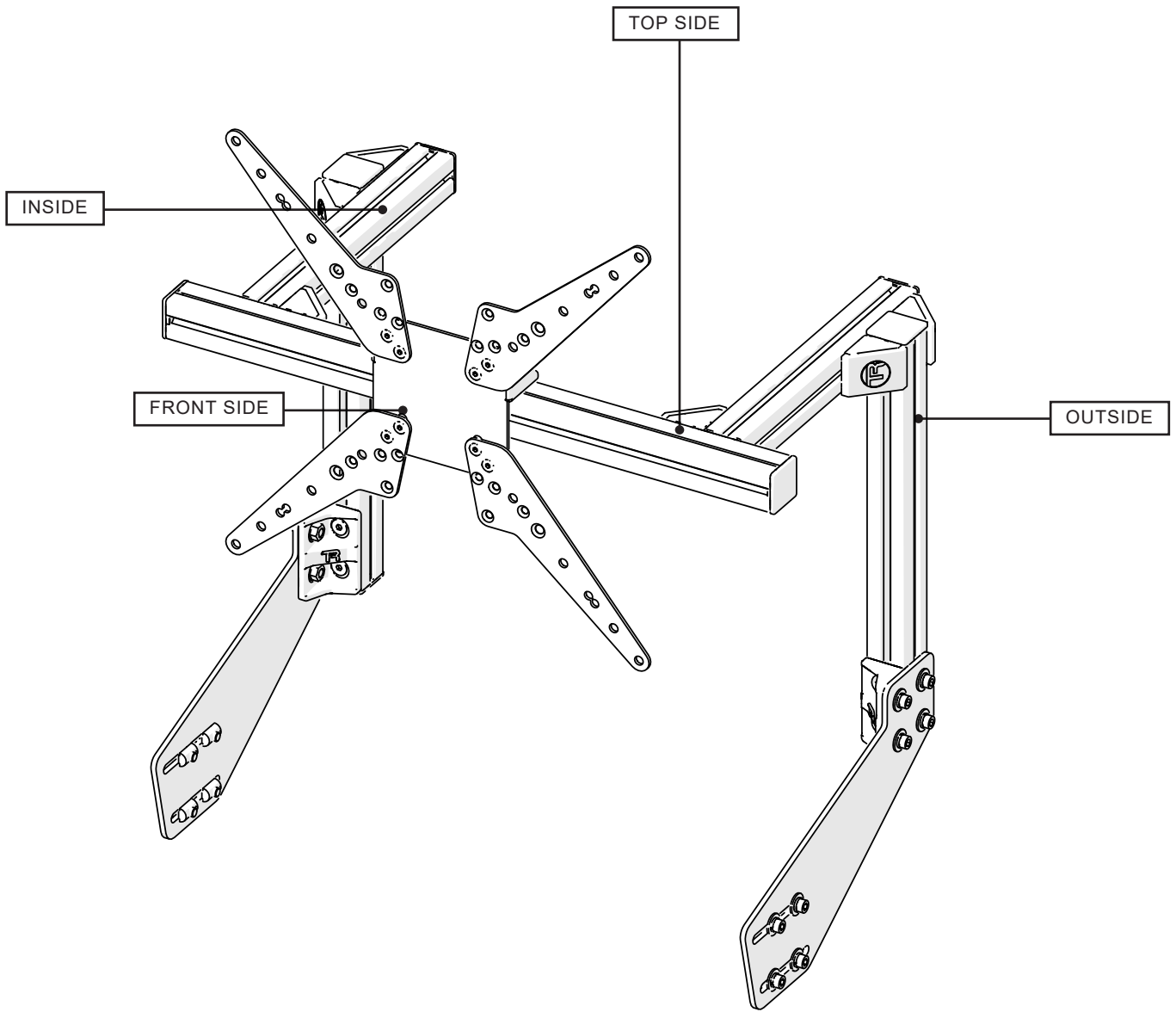
TV Back Panel



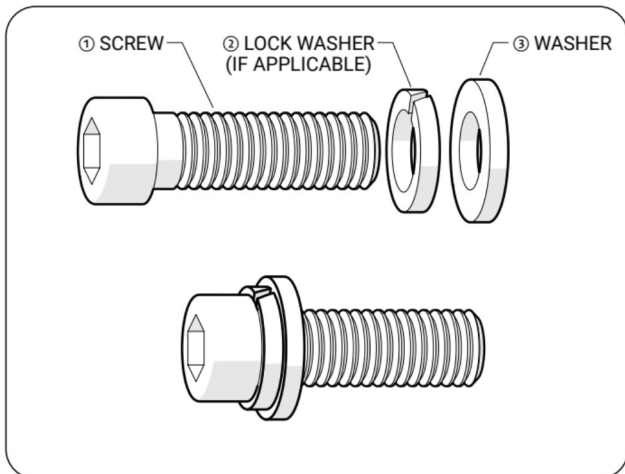
X4

Extended film

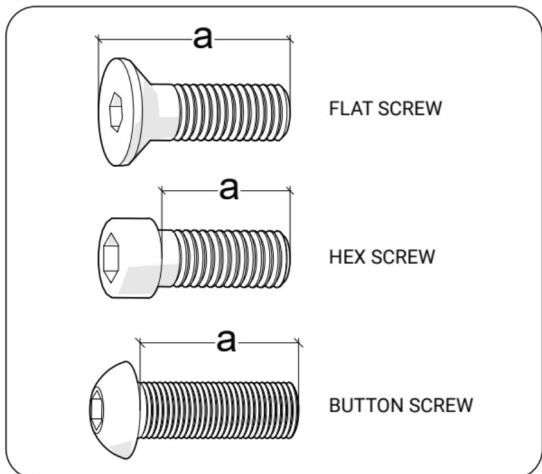
NOTE



INSTALLATAION ORDER FOR SCREWS



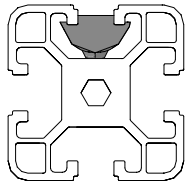
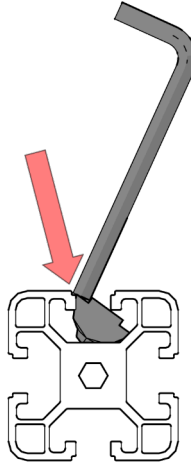
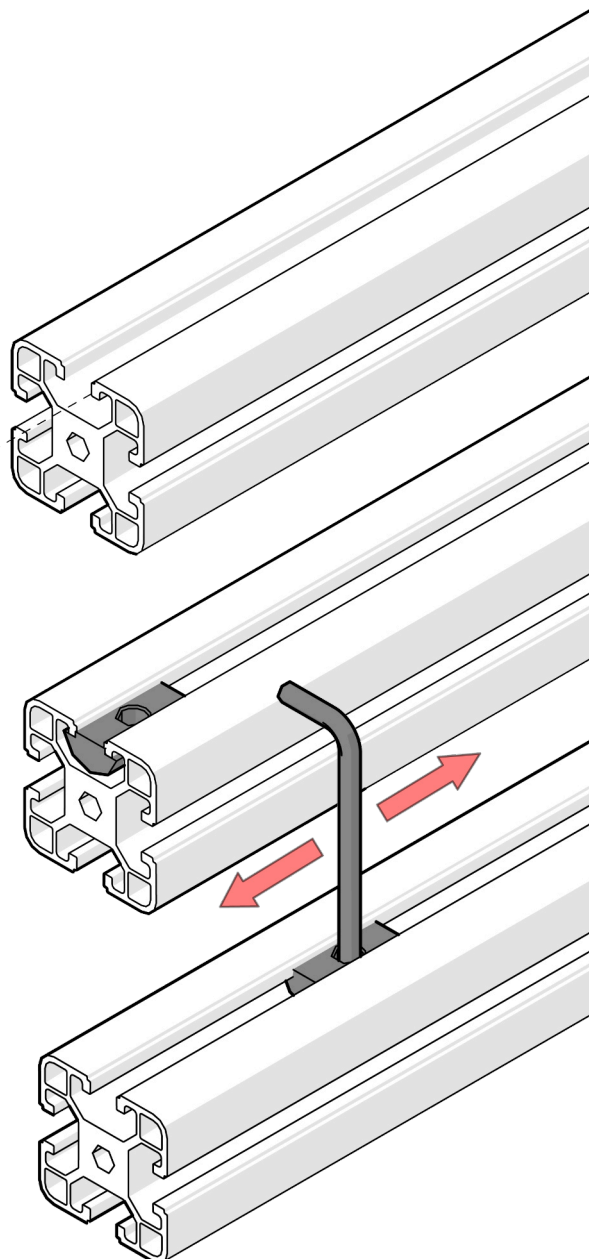
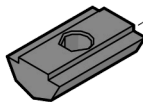
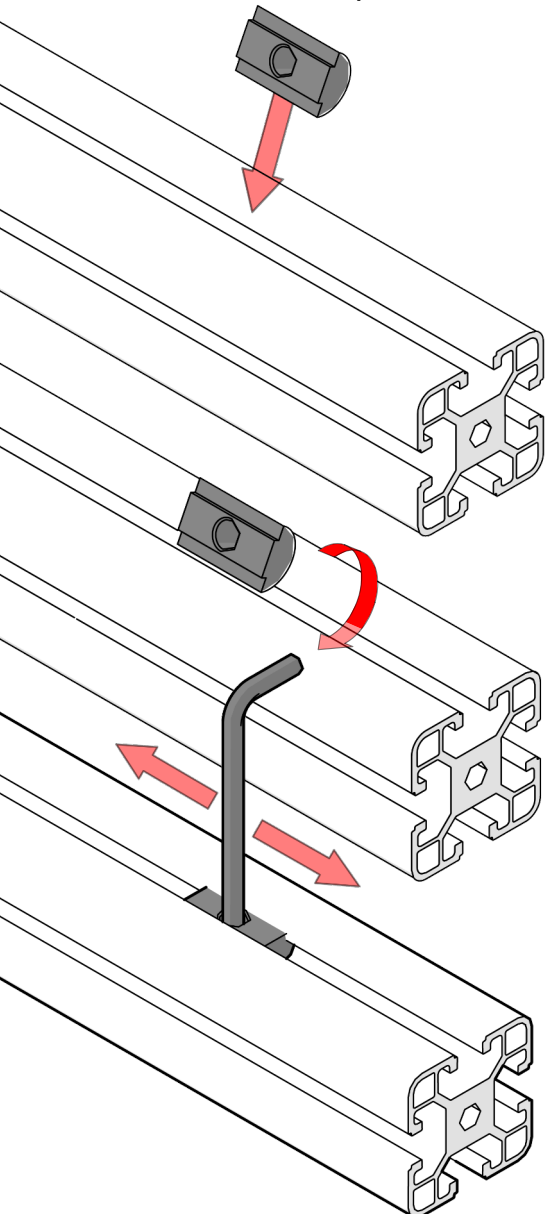
HOW TO MEASURE SCREWS



NOTE

T-NUTS

It is strongly advised that spring T-Nuts are inserted by sliding from the ends of profiles. Please take careful note of each step of all T-nuts as some are to be installed in anticipation of future steps.

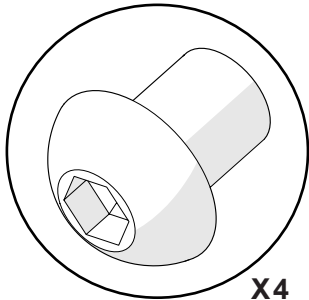
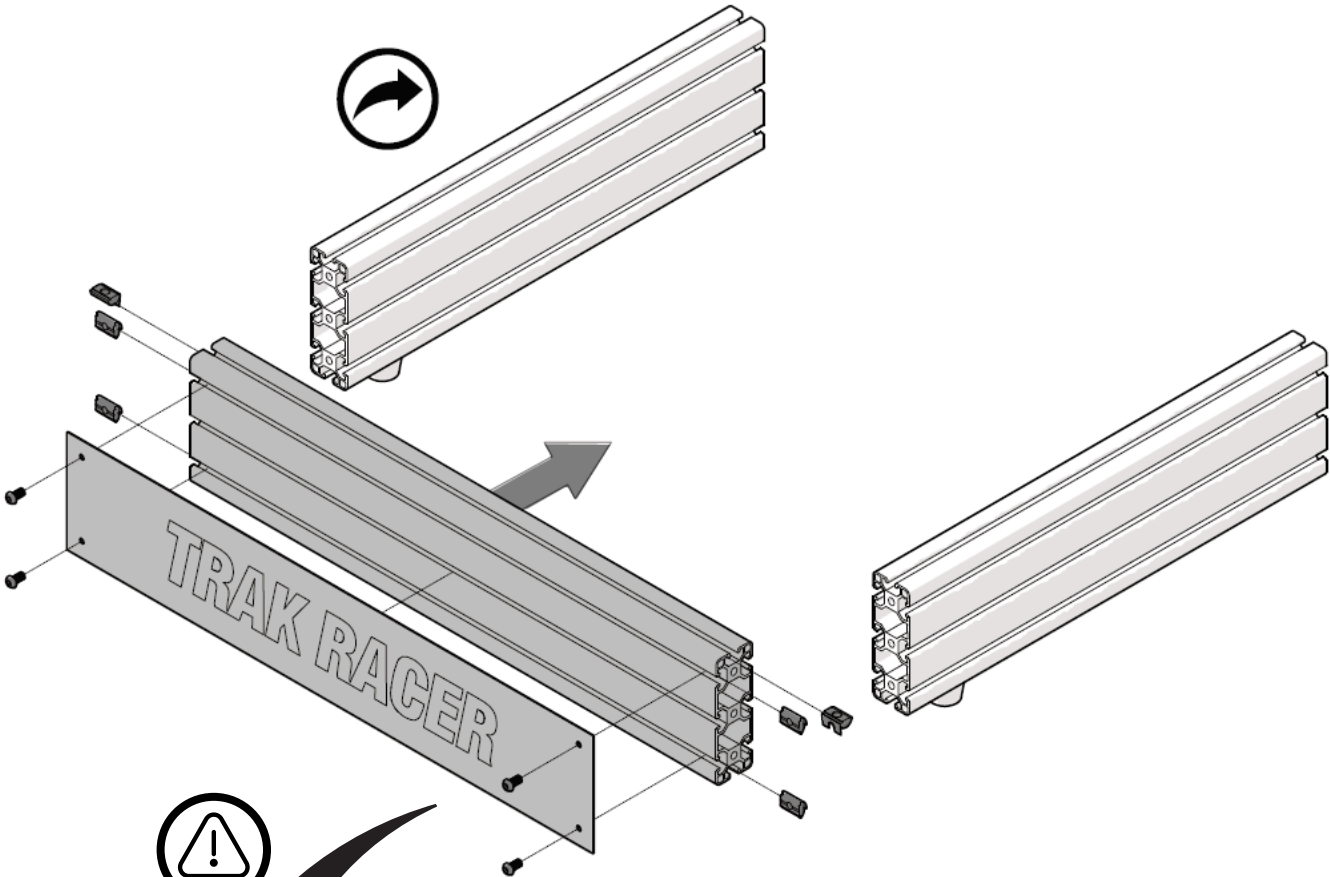


If T-Nuts are skipped, and the ends are no longer accessible, they can be inserted by "rocking" them in from the outer face as shown.

Use the provided allen key to push the T-Nut into position and place the hole to slide into position.

NOTE

FOR LOGO PLATE
BUTTON SCREWS

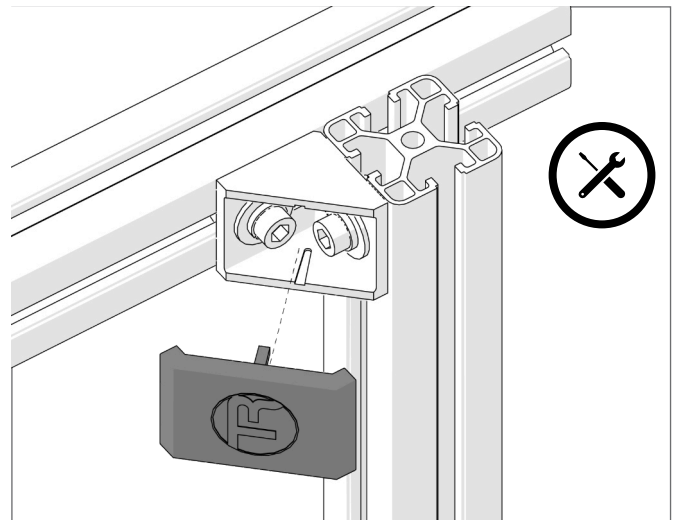
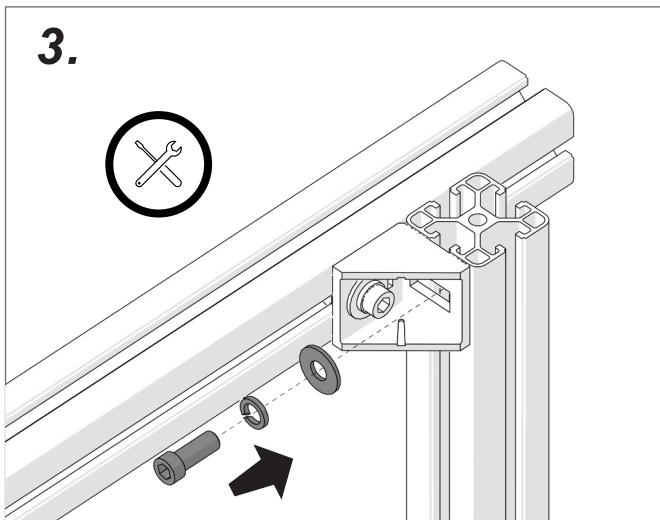
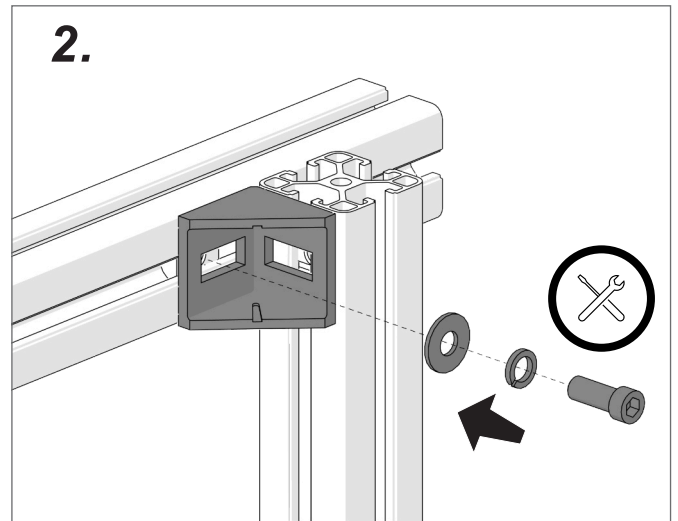
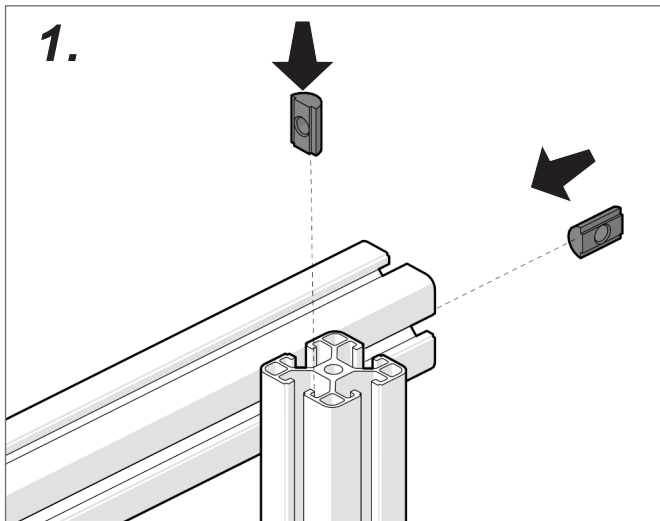
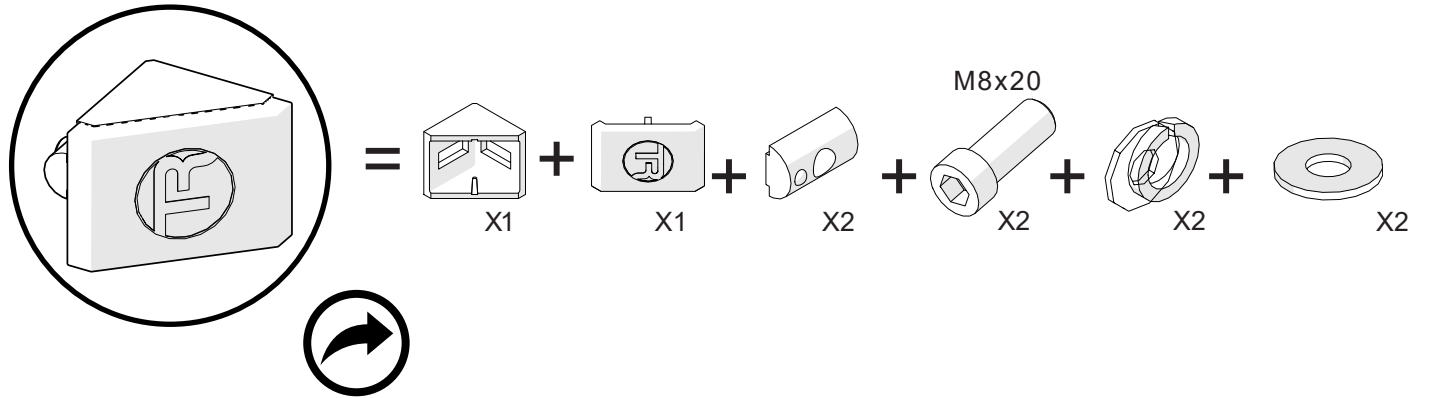
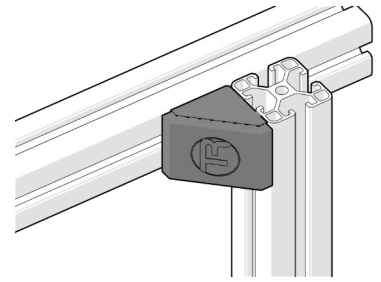


X4

M816button screw

NOTE

ALUMINUM PROFILE ASSEMBLY

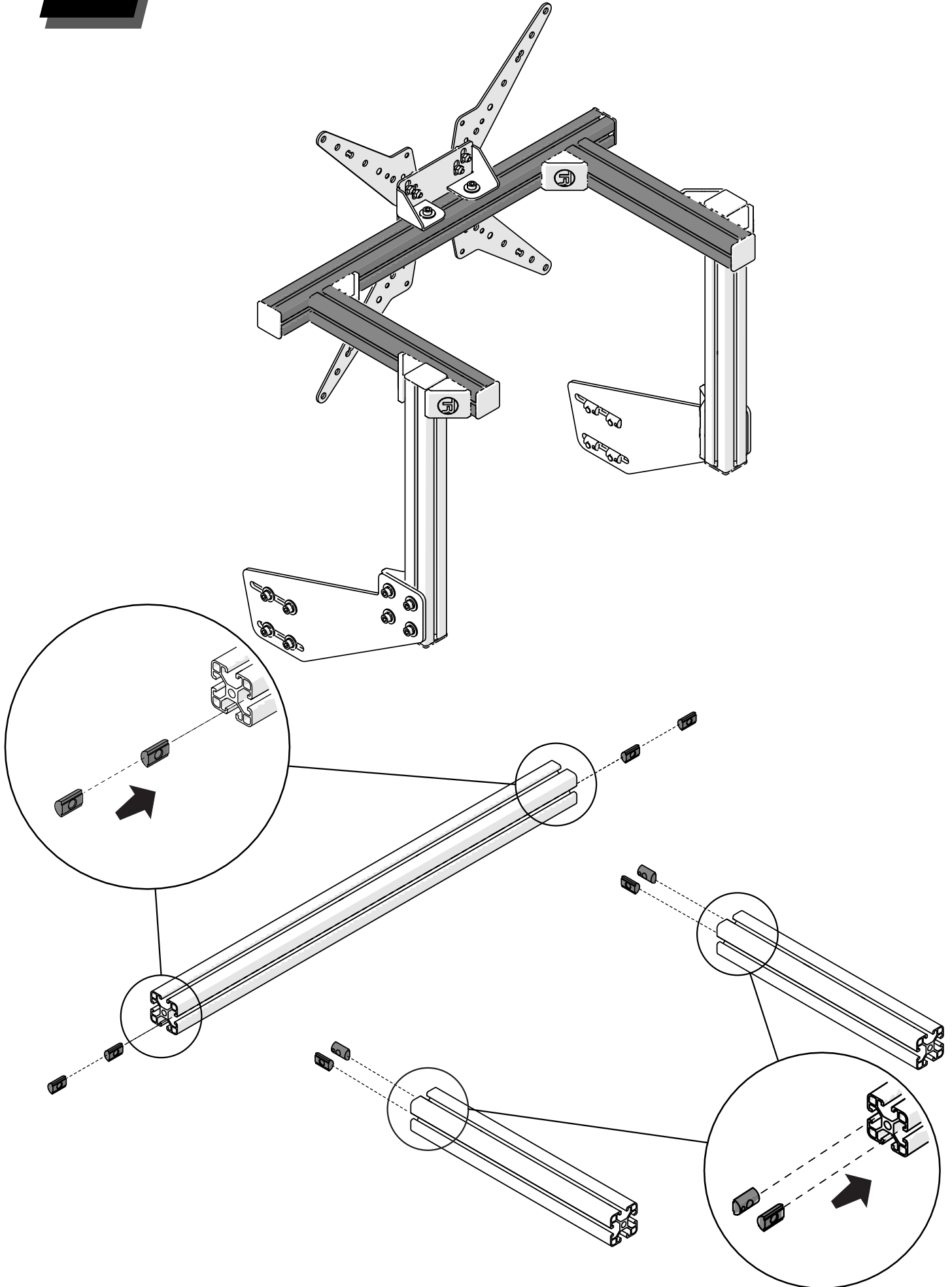


1

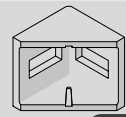
600mm Profile x1

300mm Profile x2

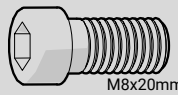
NS-M8 x8



2



BC-40 x4



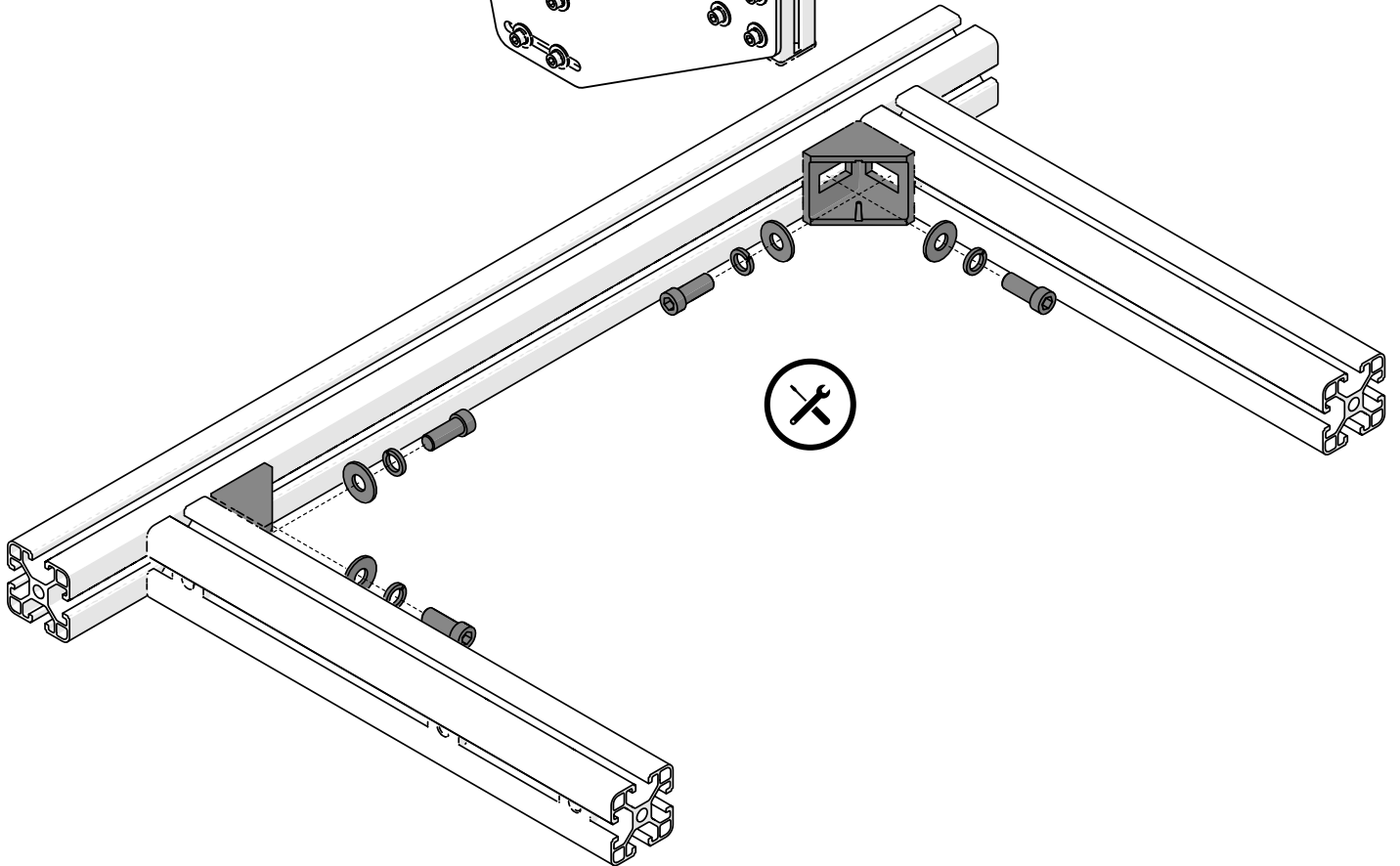
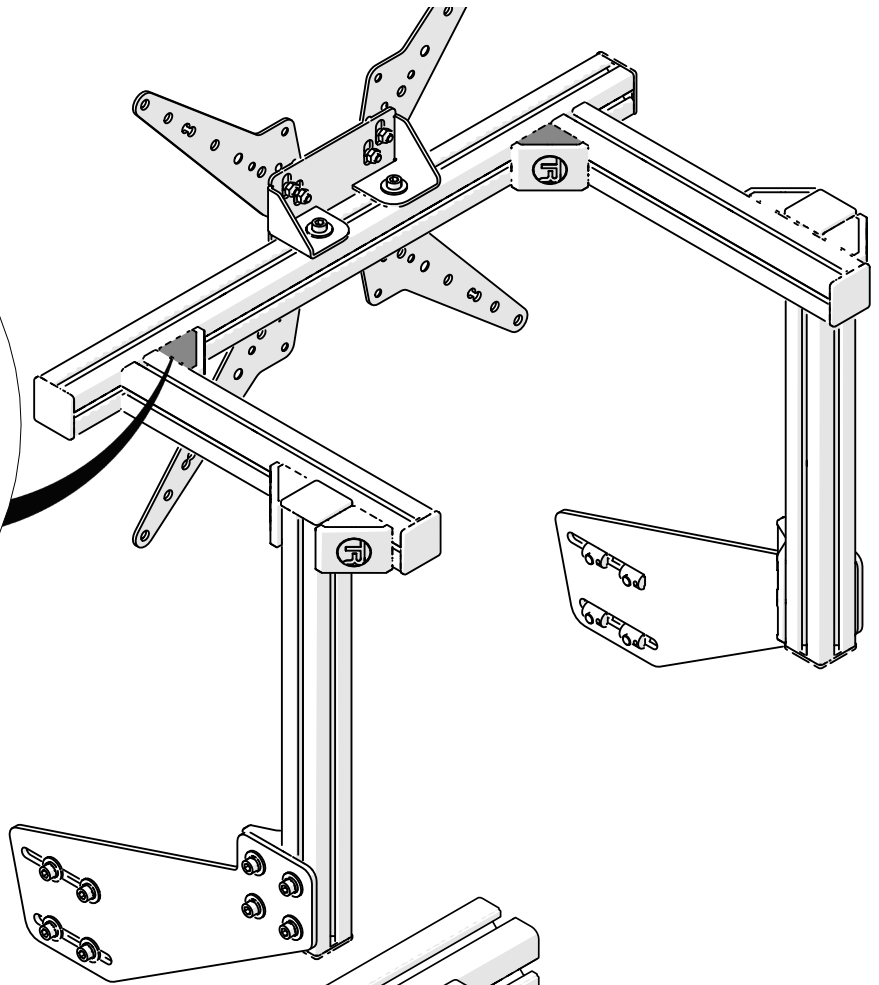
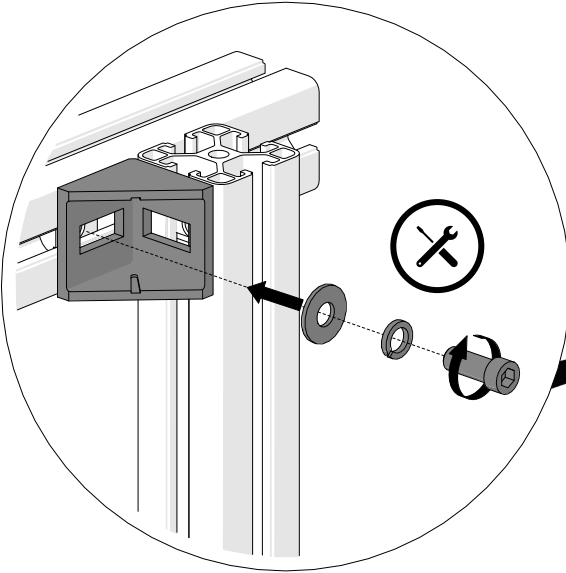
SH-M8-20 x8
M8x20mm



W-M8 x8



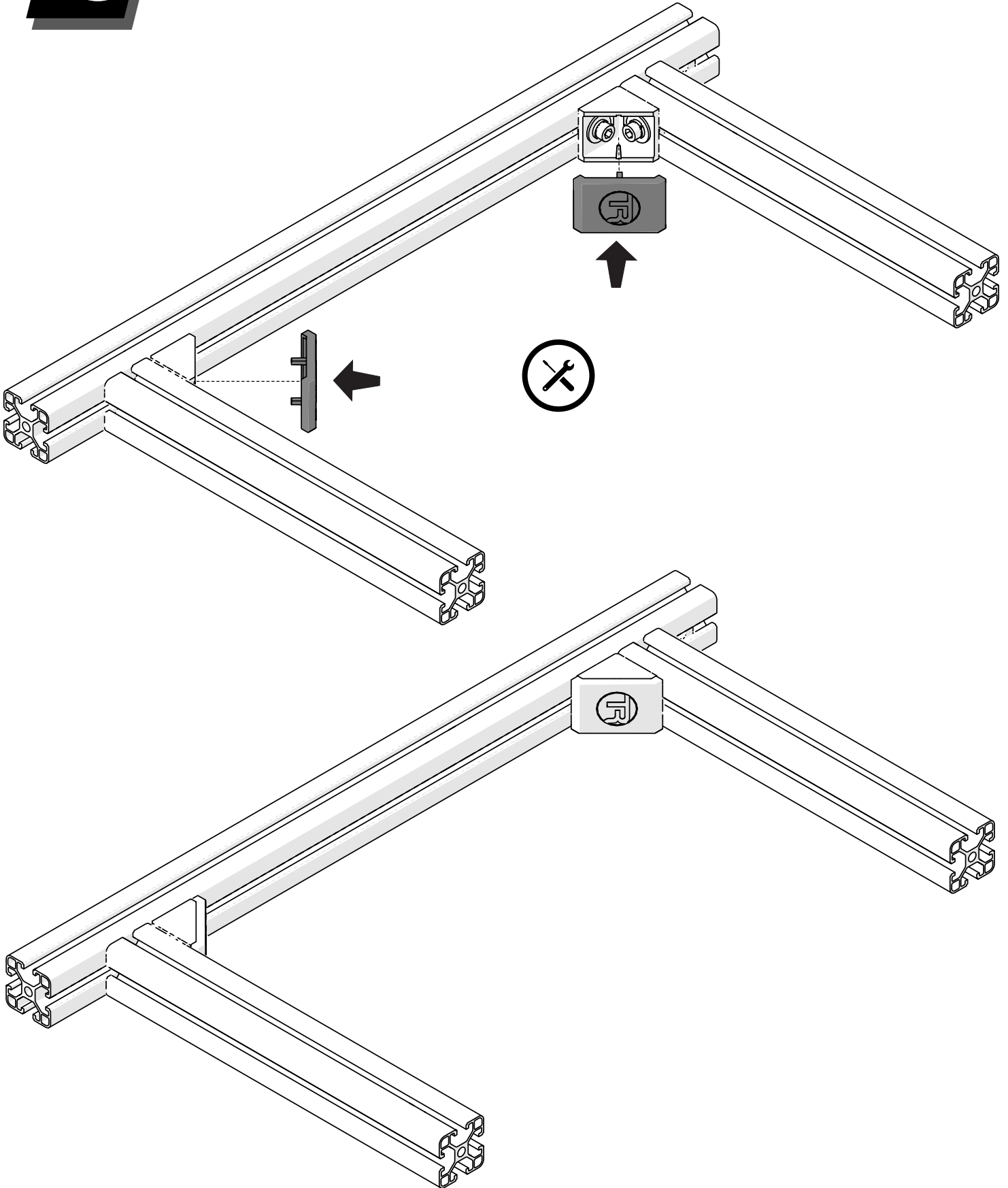
LP-160 x8



3



BC-40 x4

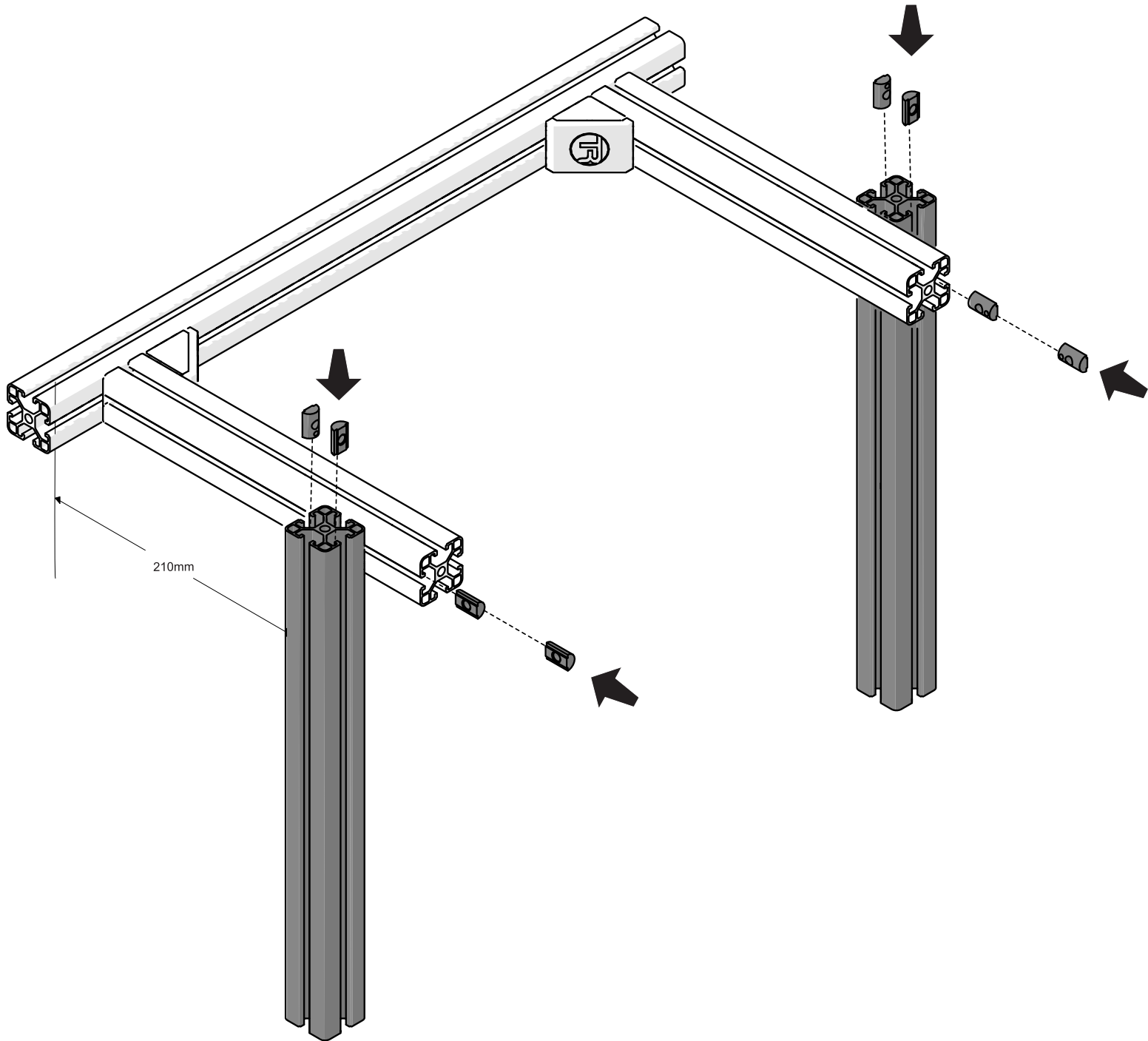


See note ALUMINUM PROFILE ASSEMBLY at page 9

4

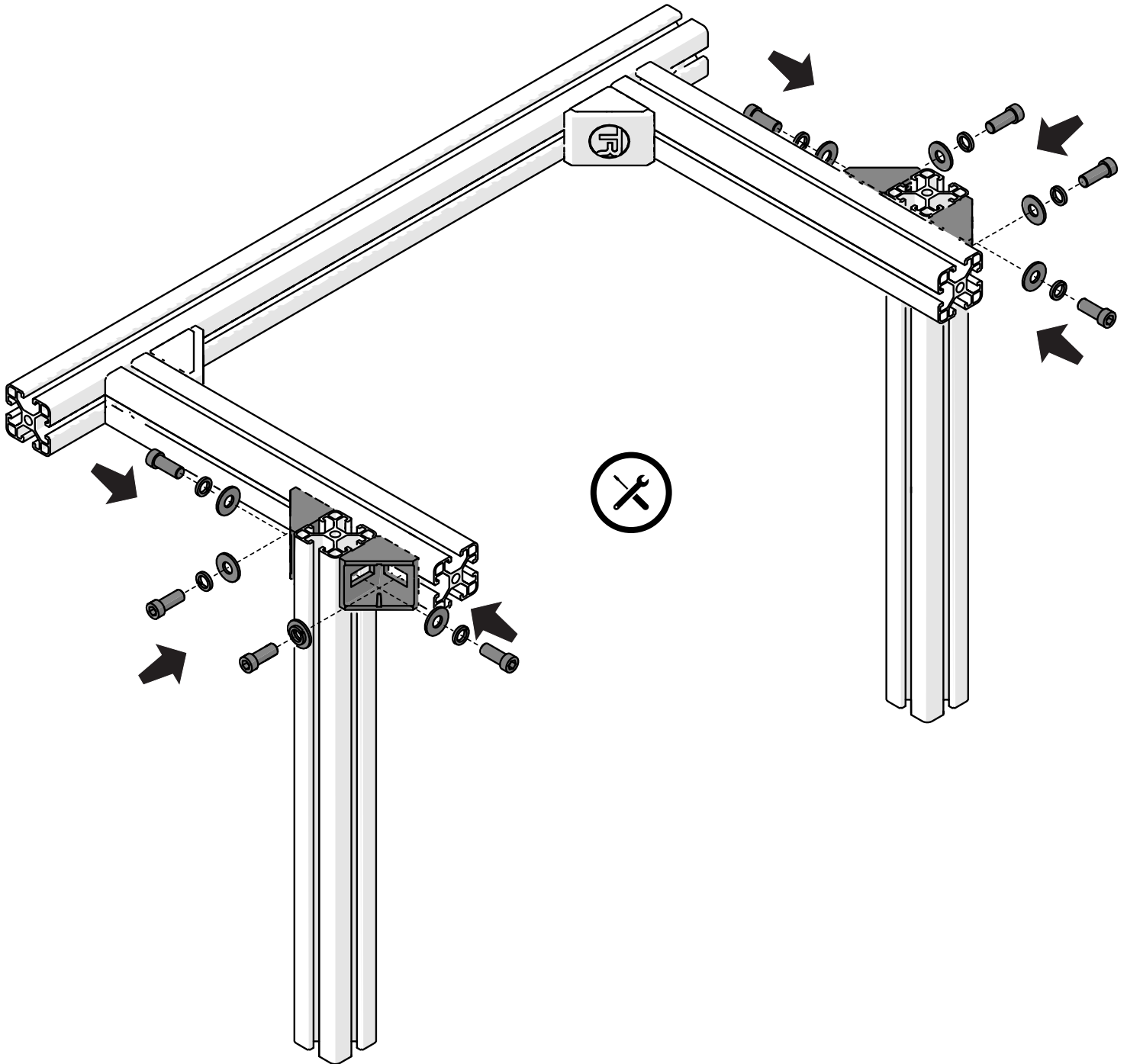
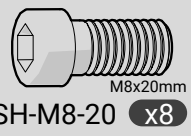
400mm Profile x2

NS-M8 x8



See note ALUMINUM PROFILE ASSEMBLY at page 9

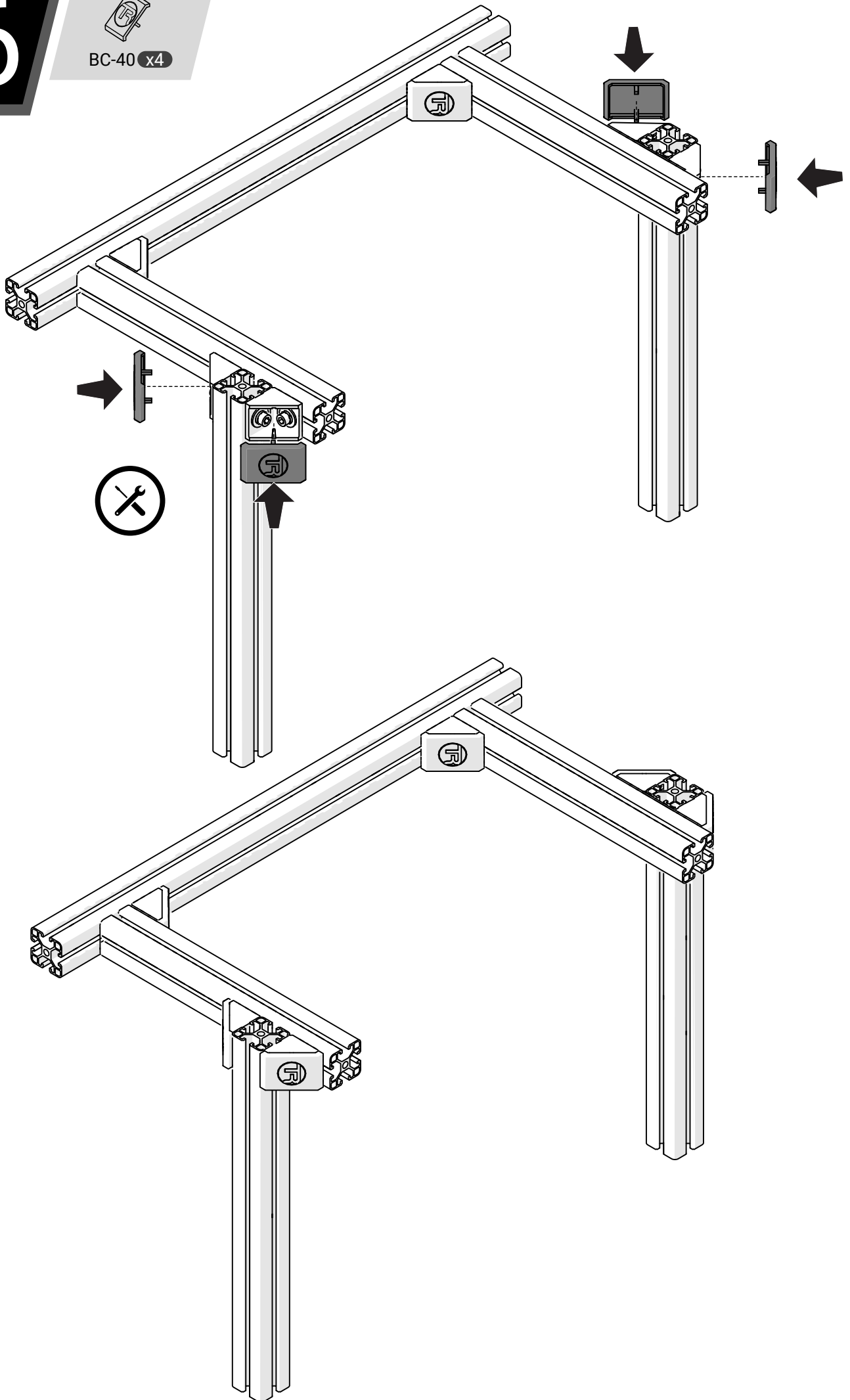
5



See note ALUMINUM PROFILE ASSEMBLY at page 9

6

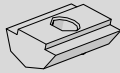
BC-40 x4



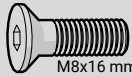
7



BA-80-S x2

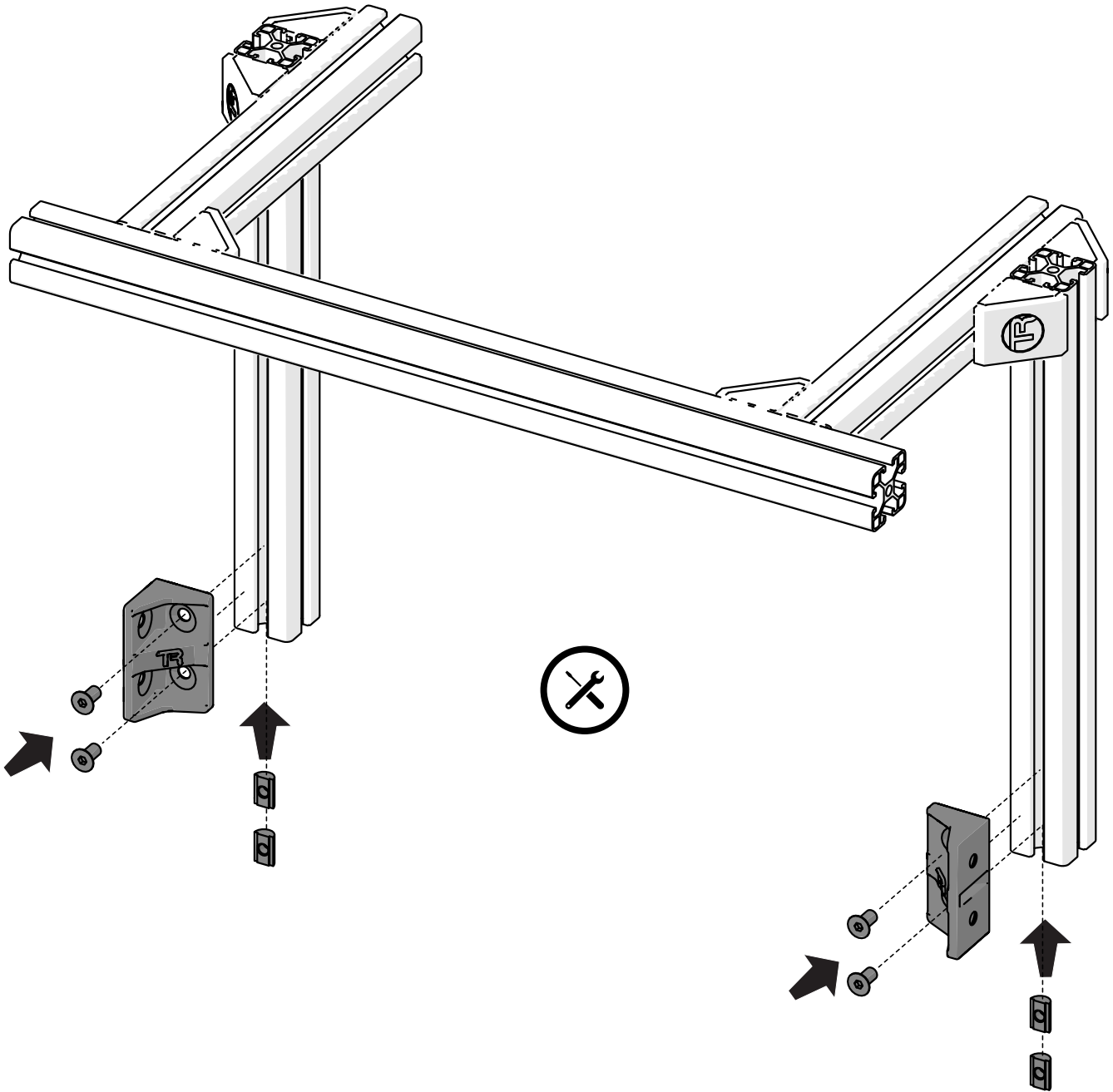


NS-M8 x4



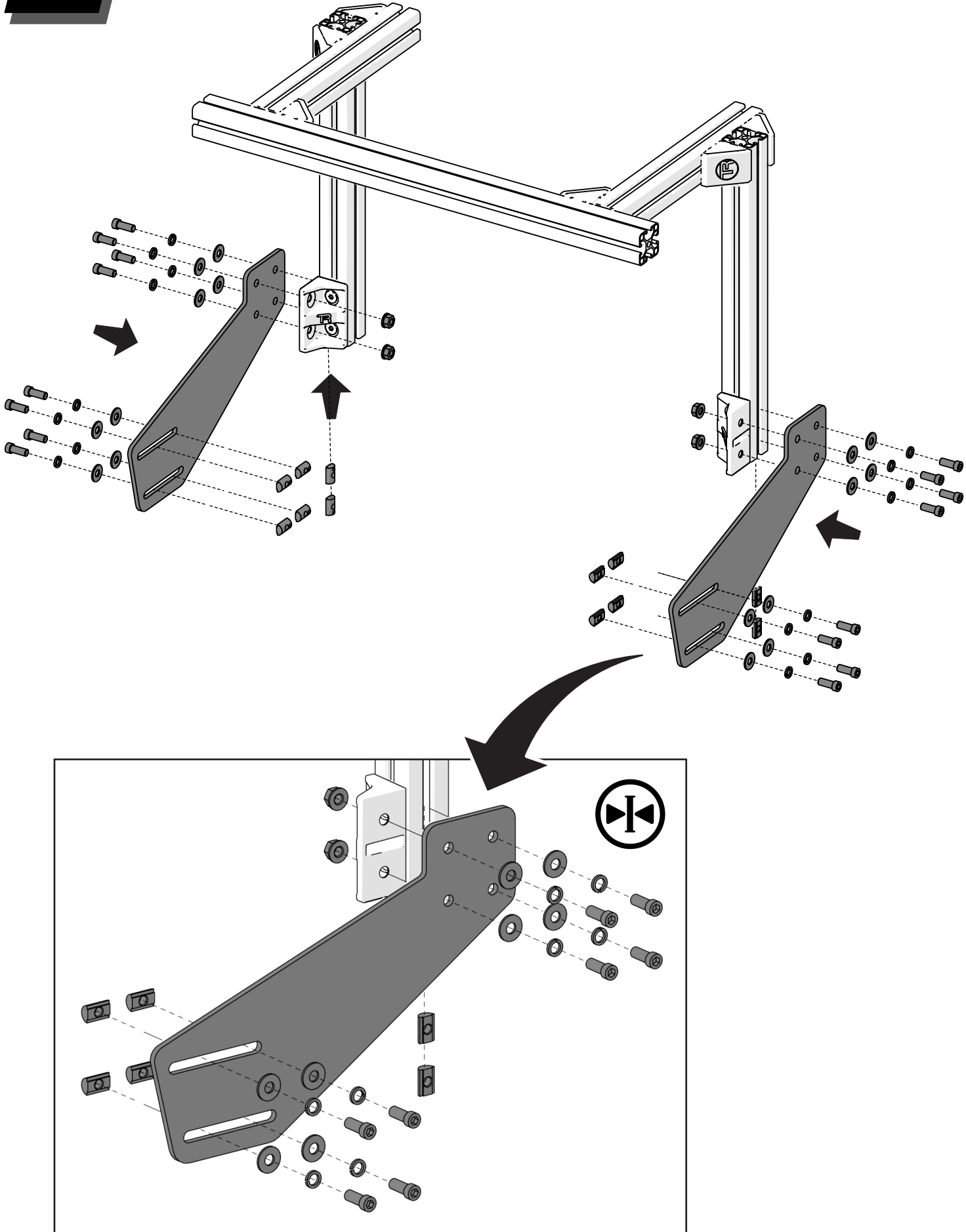
M8-16-FS

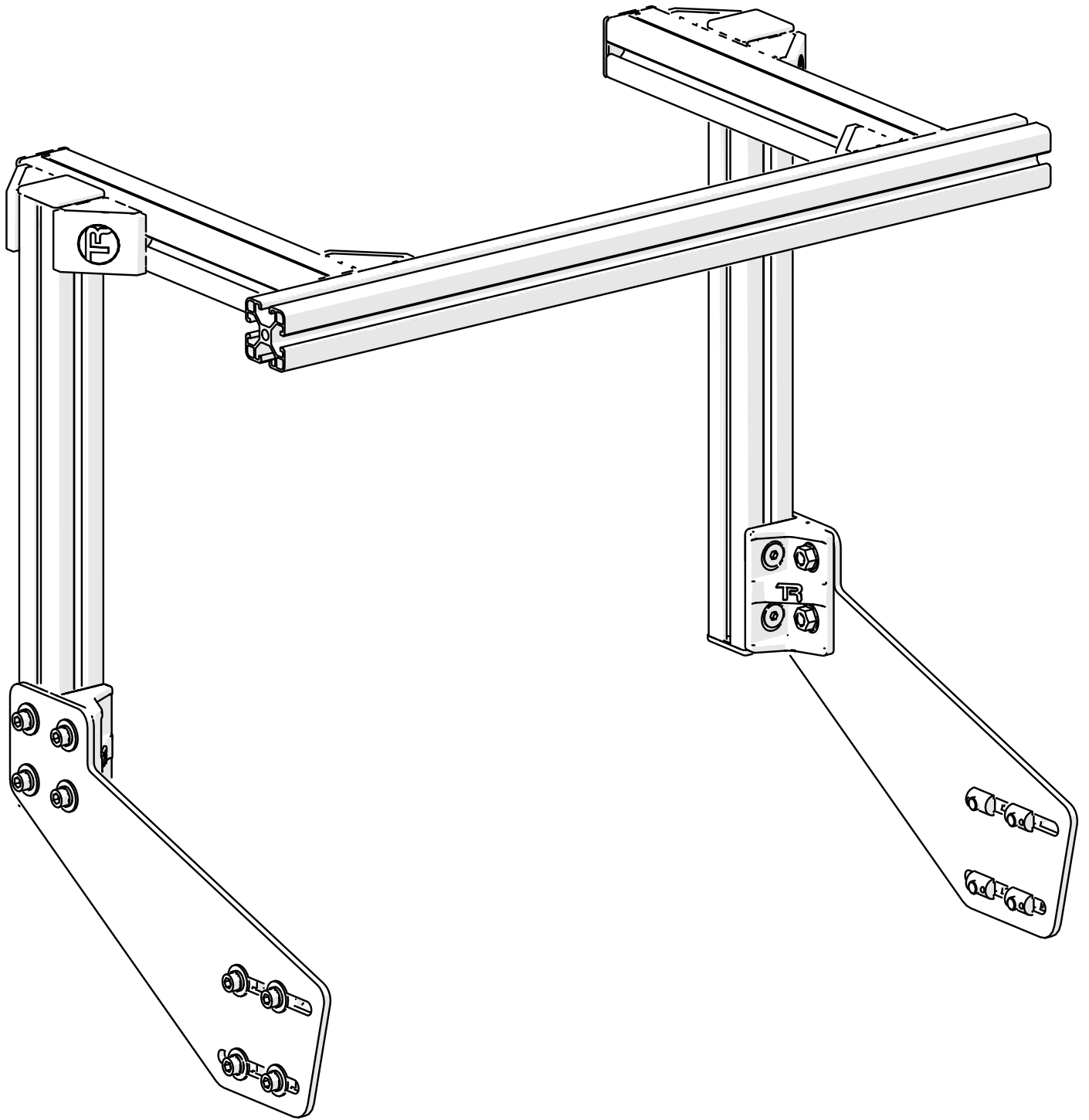
x4



8

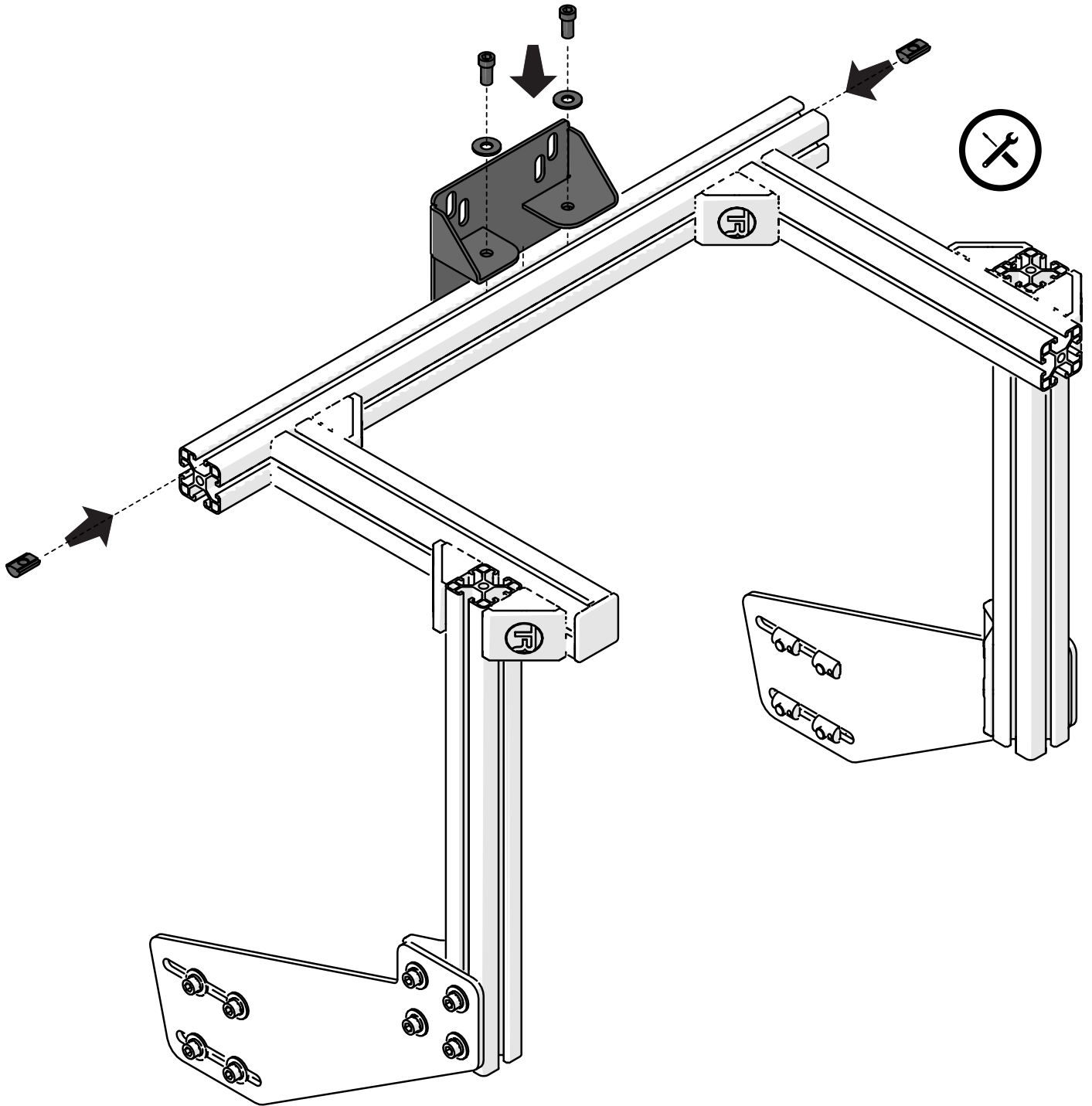
- L-01 x2
- SH-M8-20 M8x20mm x16
- W-M8 x16
- LP-160 x16
- NS-M8 x12
- NF-M8 x4



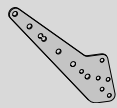


9

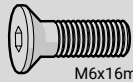
- L-01 x2
- SH-M8-16 M8x16mm x2
- W-M8 x2
- NS-M8 x2



10



EF x4

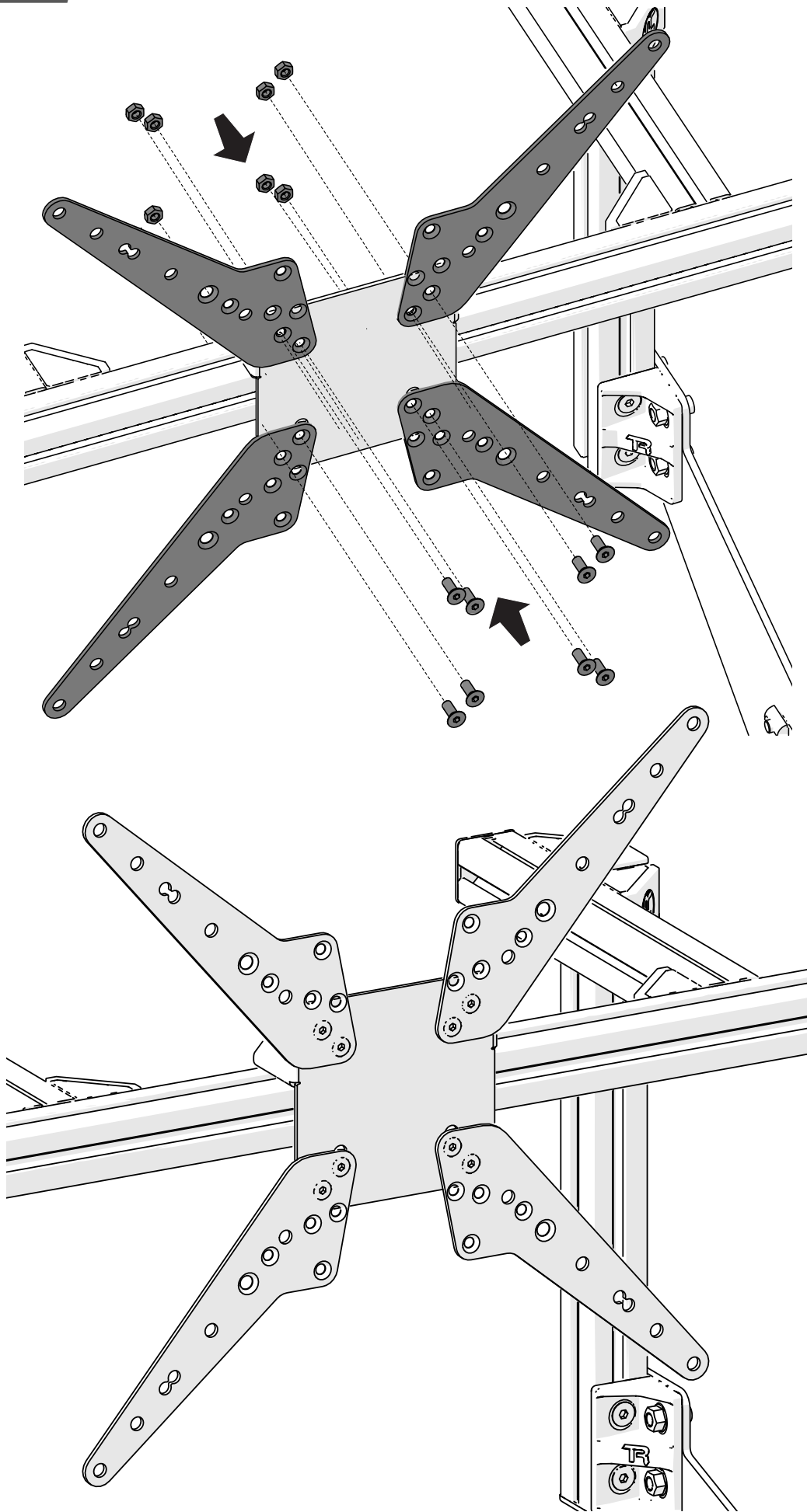


M6x16mm

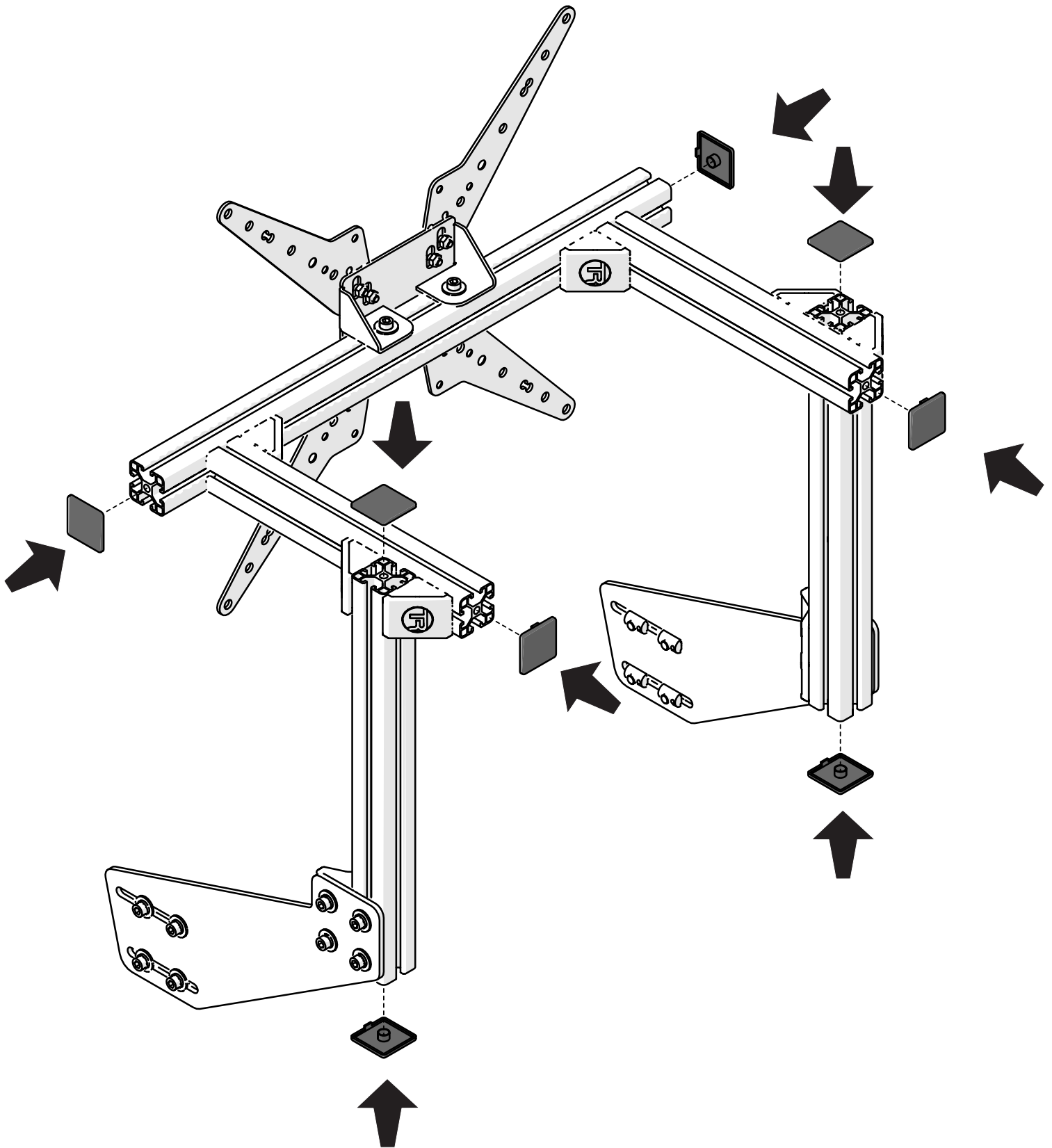
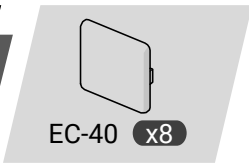
SF-M6-16 x8

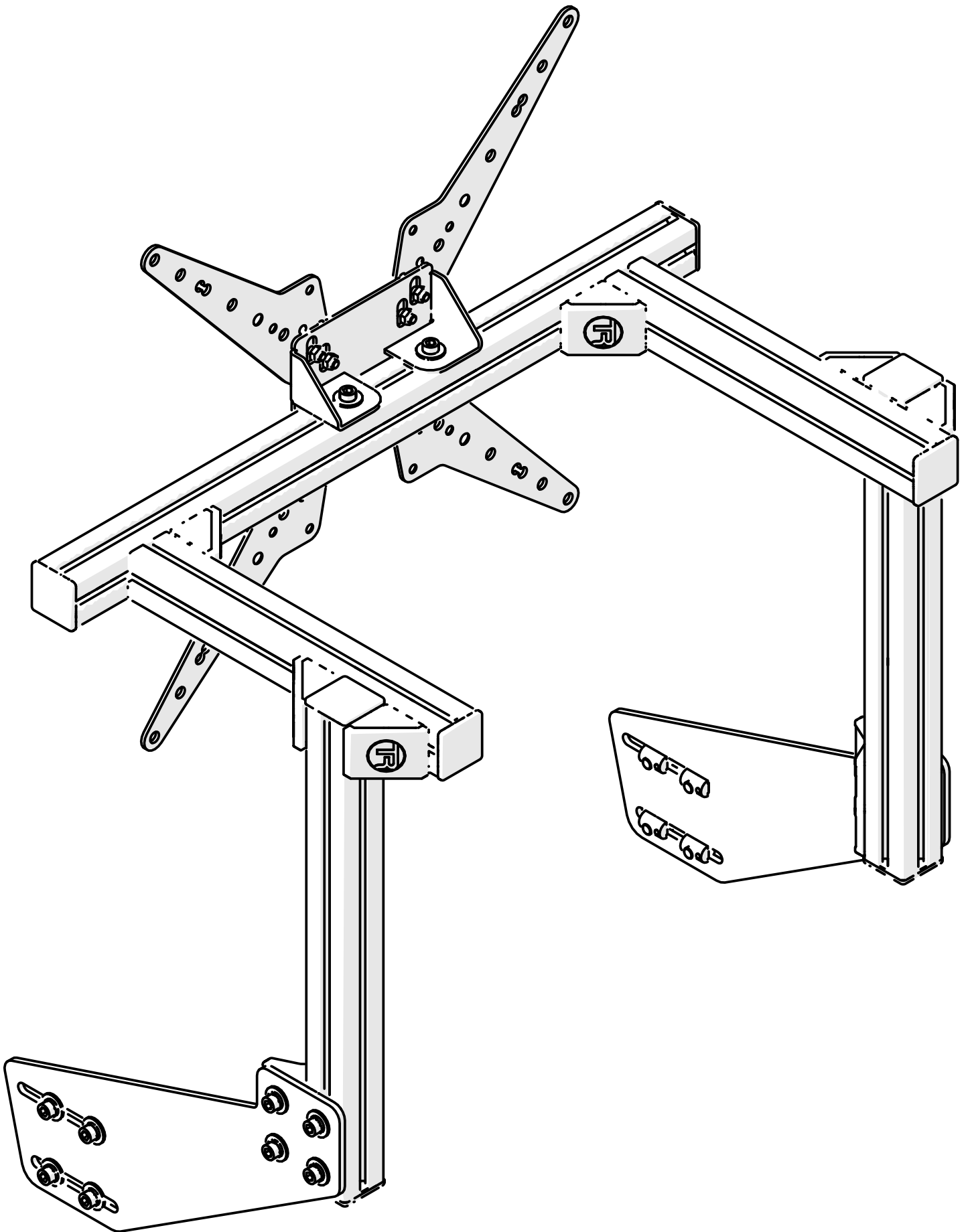


NL-M8 x8

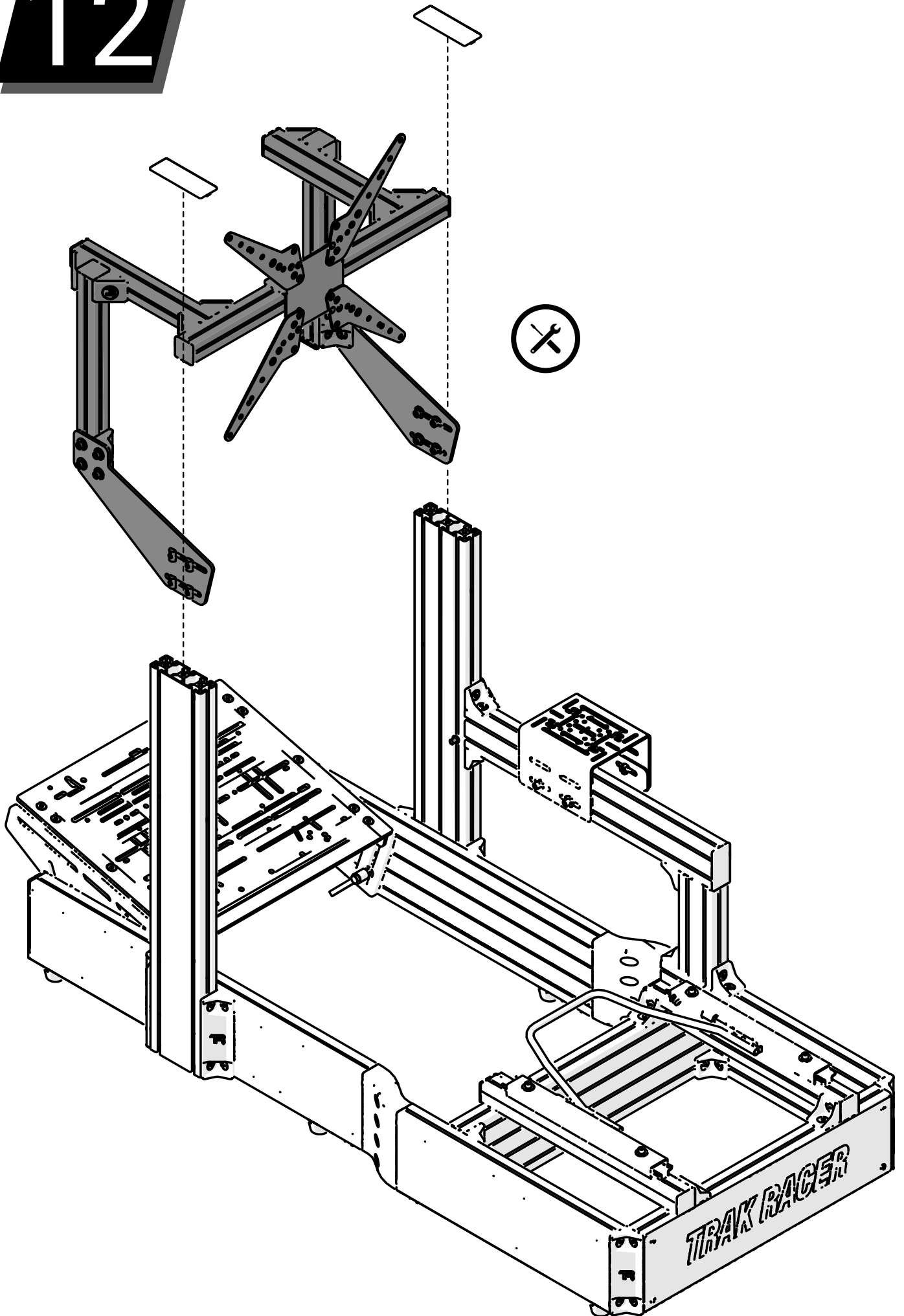


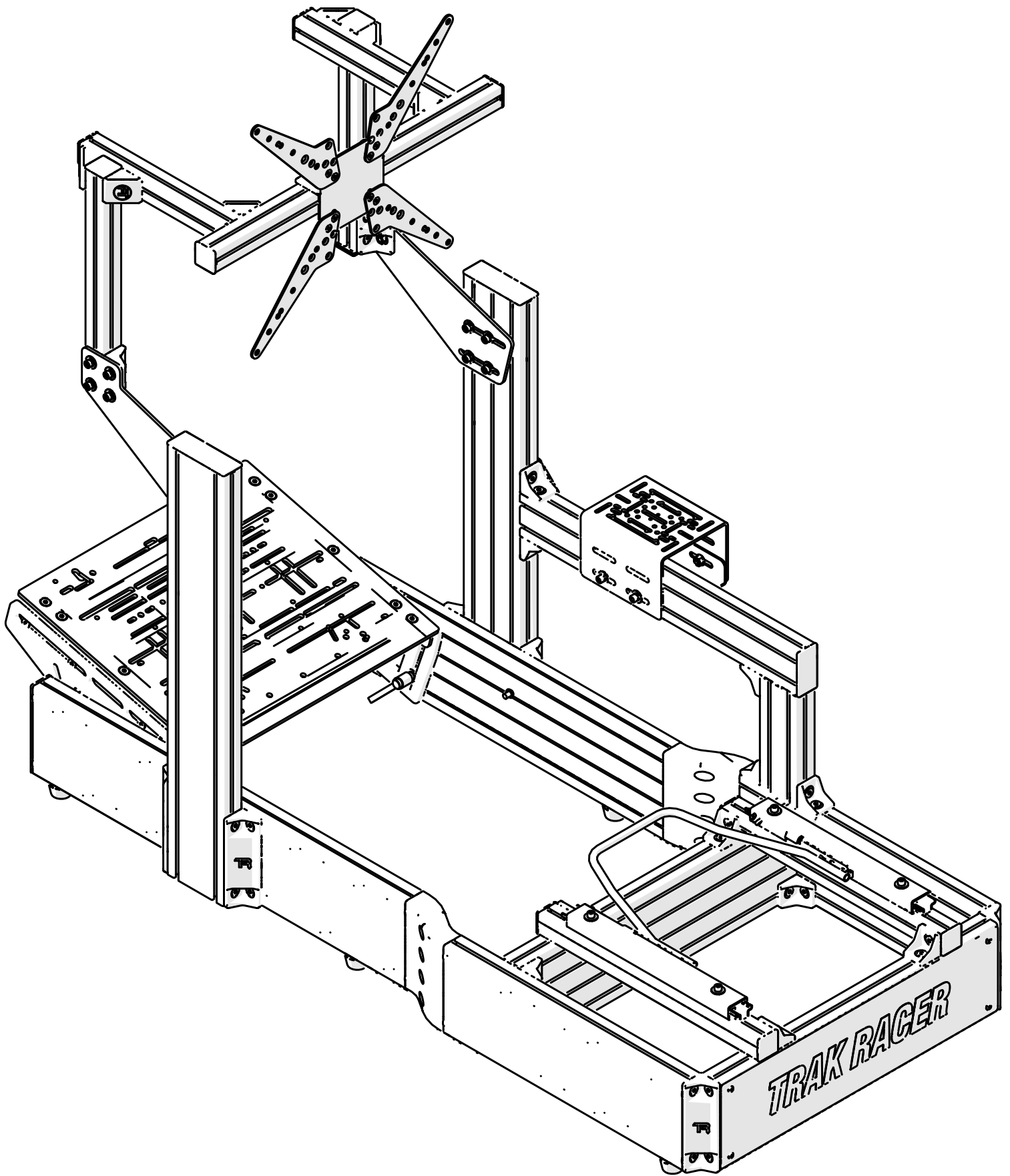
11





12





FINISHED



@trakracer



@trakracer



@trak_racer