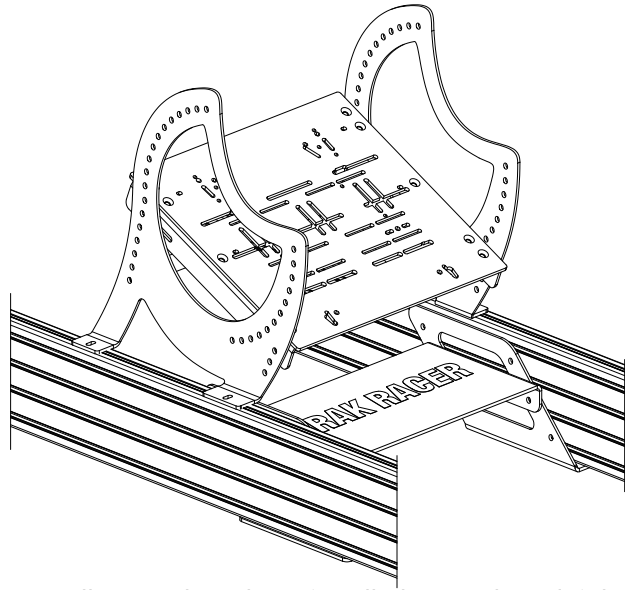


# Inverted Pedal Plate for TR160 and TR80

## TR80-INVPEP & TR80-PLATE

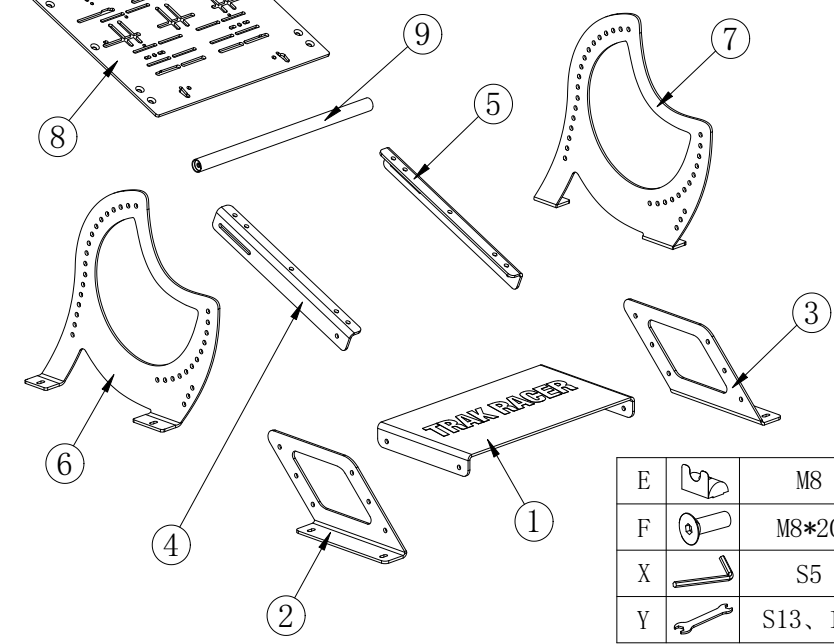
(Sold Separately)

### Assembly Instructions



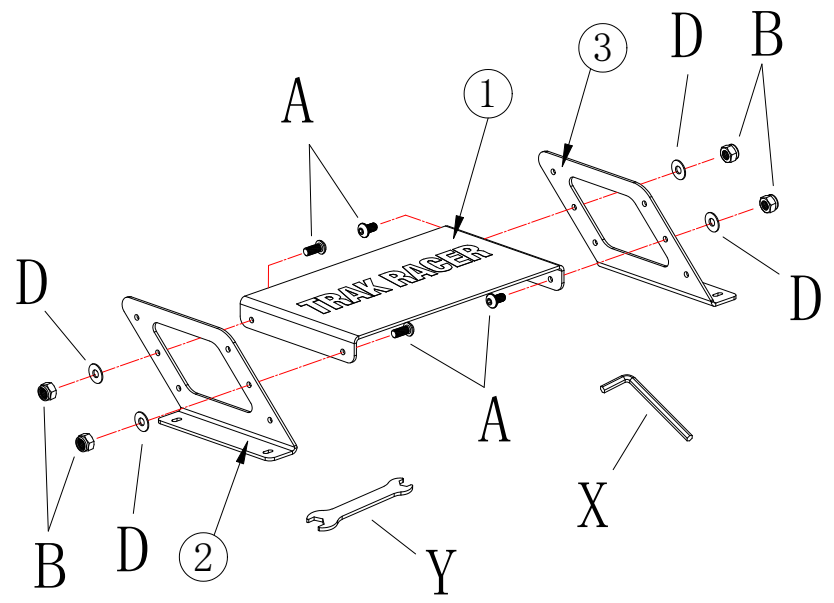
**Important:** Please ensure all screws have been installed correctly and tightened for safety. TRAK RACER accepts no responsibility for damages caused to personal affects including monitors and other accessories.

A		M8*20	10
B		M8	18
C		M8*16	8
D		∅8	16

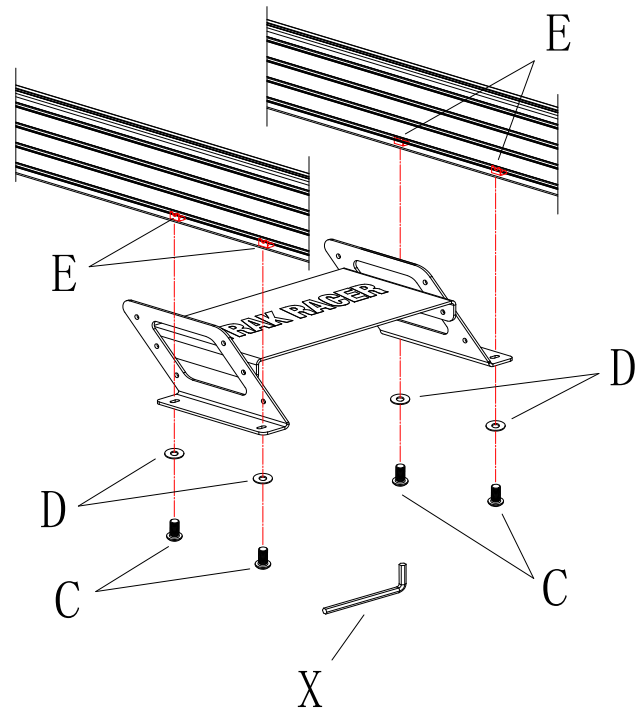


E		M8	8
F		M8*20	10
X		S5	1
Y		S13, 15	1

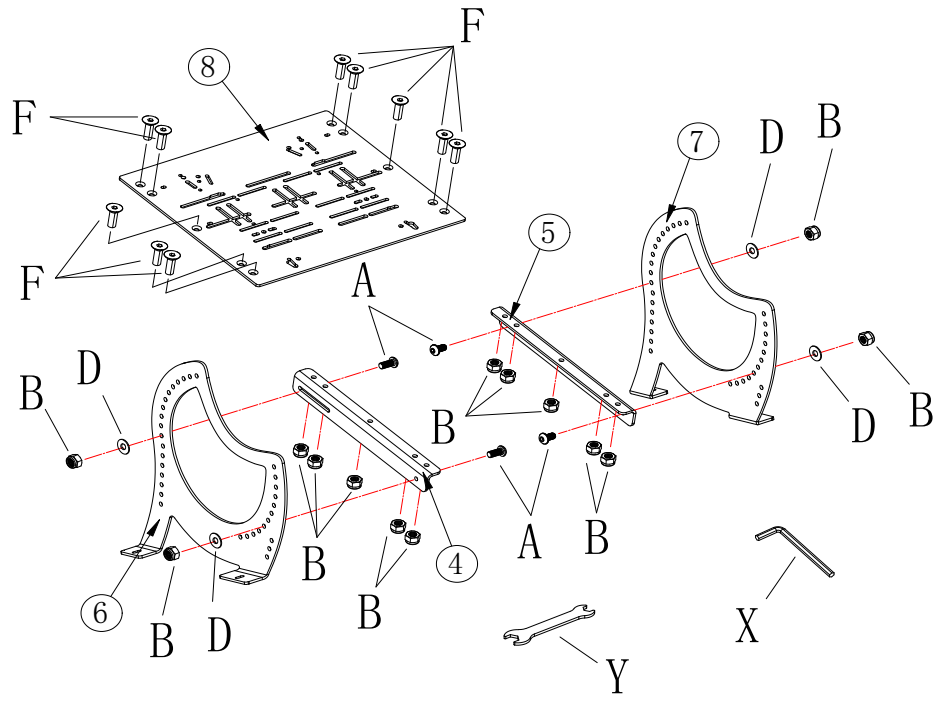
### Step 1



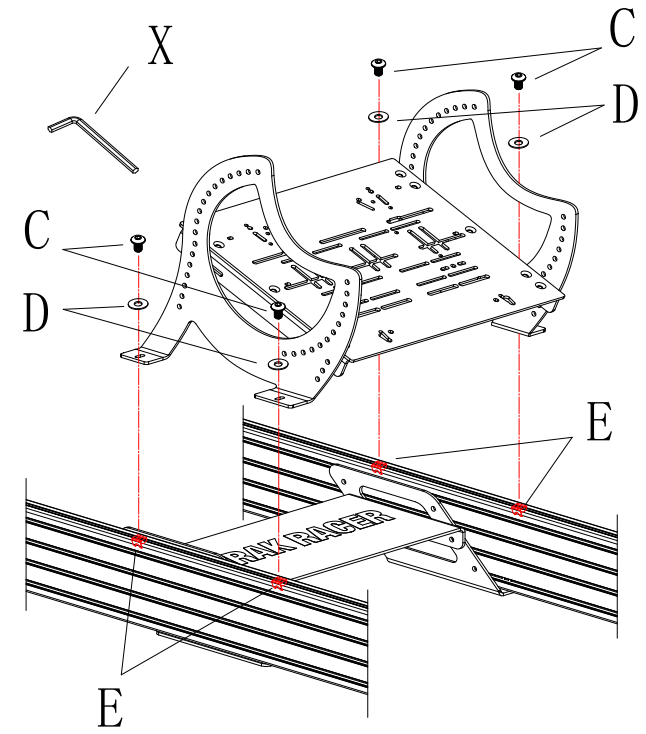
### Step 2



### Step3



### Step4



### Step5

