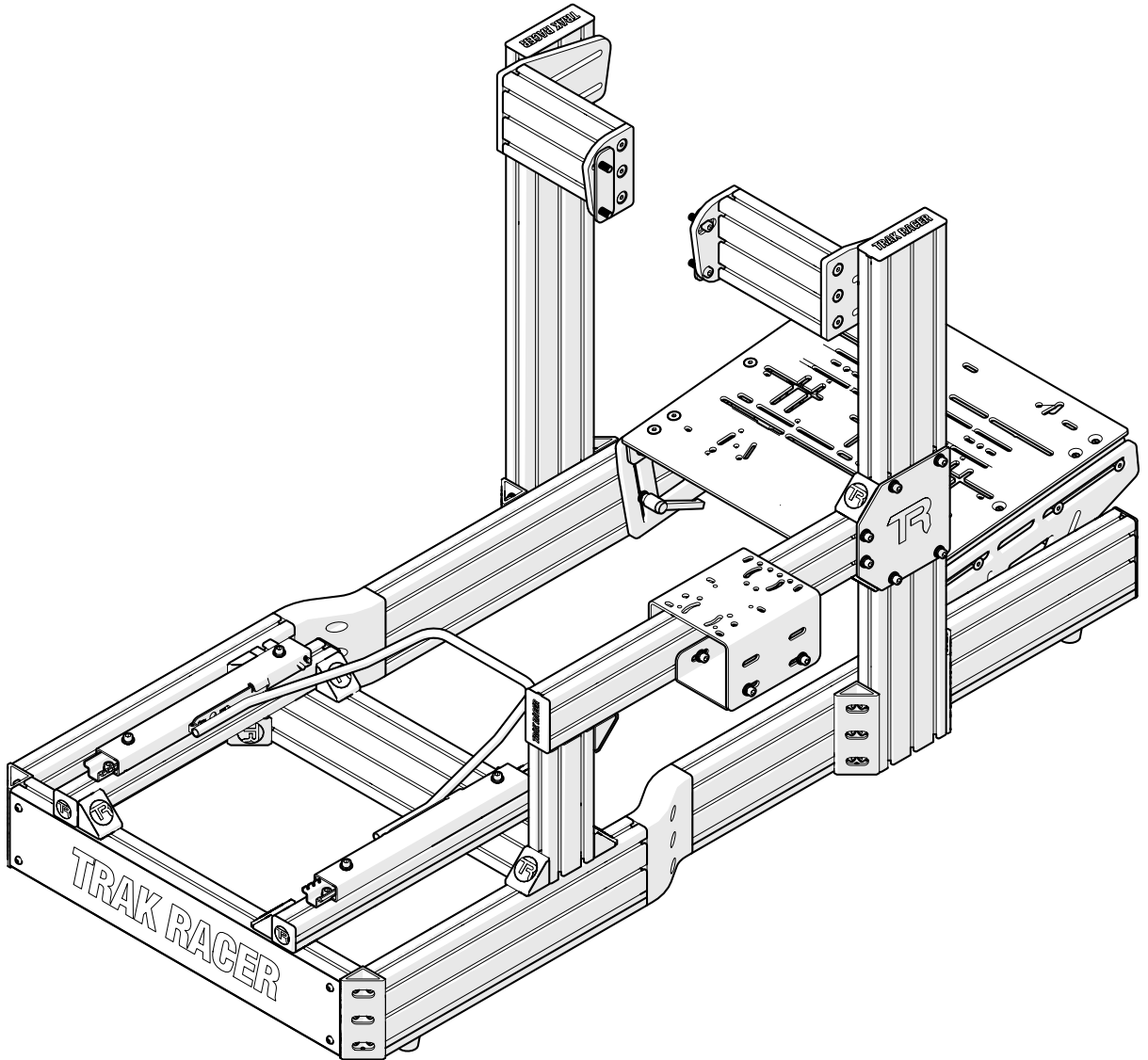


TR120

Assembly Guide



IMPORTANT: As there are different versions of each rig depending on your region, please ensure that you are using the correct instruction set. The part number below should match the part number labeled on your box

TR120-BLK



TRAK RACER

Published 2023-08-23

TABLE OF CONTENTS

3 Symbol Legend

4 Part list

5 Assembly Notes

9 TR120-BLK Assembly Instructions

16 Stabilizing Feet Option

18 Seat Slider Option

20 Recliner seat installation

24 GT/Rally seat installation

26 Pedal Option 1

29 Pedal Option 2

32 Pedal Option 3

35 Pedal Option 4

39 Wheel Mount Option 1

42 Wheel Mount Option 2

45 Wheel Mount Option 3

48 Wheel Mount Option 4

51 Wheel Mount Option 5

54 Shifter Option 1

56 Shifter Option 2



IMPORTANT: As there are different versions of each rig depending on your region, please ensure that you are using the correct instruction set. The part number below should match the part number labeled on your box



IMPORTANT: Due to the nature of cut aluminium profile, some metal shavings may still be present after our extensive QA cleaning process. We recommend that boxes and packaging is opened on a hard floor.



NOTE: Some screws and washers are pre-installed. These will be part of the parts list and will need to be loosened and reattached according to the instructions.



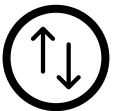
Two people needed



Tighten hardware



Leave hardware loose for adjustment



Make Adjustment



Break tab off Corner bracket CB1



Safety glasses needed



Attention / Priority



Reserve for following step



Mirrored Components (Same on both sides)

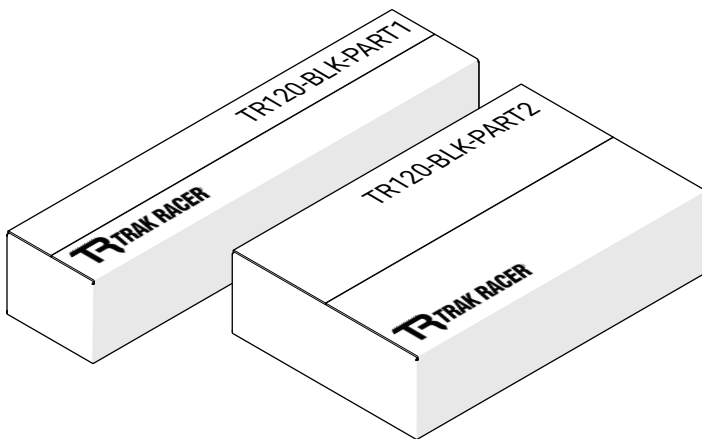


IMPORTANT: As there are different versions of each rig depending on your region, please ensure that you are using the correct instruction set. The part number below should match the part number labeled on your box

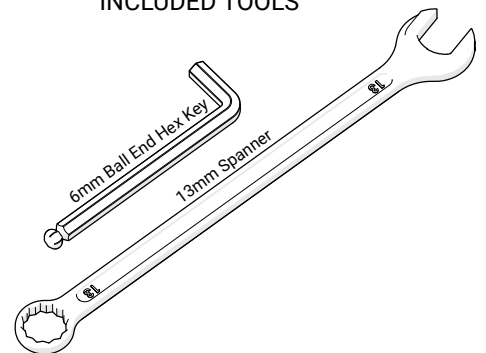
TR120-BLK PARTS LIST

Part #	Description	QTY	Check
BOX #: TR120-BLK-PART1			
PS-780-R	Profile strip, 780mm Red	2	
PS-500-R	Profile strip, 500mm Red	2	
PS-460-R	Profile strip, 460mm Red	2	
AL-120-780	Aluminum Profile, 40x120x780mm	2	
AT-120-780	Aluminum Profile (Threaded), 40x120x780mm	2	
BOX #: TR120-BLK-PART2			
CC-01	Cable Management clips	10	
BC-40	Bracket, Corner with Cap, 40x40	8	
BA-120-BLK	Bracket, Anodized corner, 40x120, Black	6	
EC-120	End Cap, 40x120	4	
EC-40	End Cap, 40x40	4	
FR-01	Feet, Rubber	4	
LP-120	Logo Plate, TR120	1	
NS-M8	T-Nut (Spring), M8	24	
NS-M8	T-Nut (Spring), M8	16	
NS-M6	T-Nut (Spring), M6	8	
AL-120-580	Aluminum Profile, 40x120x580mm	1	
AT-120-500	Aluminum Profile (Threaded), 40x120x500mm	2	
AT-120-580	Aluminum Profile (Threaded), 40x120x580mm	1	
AL-40-460	Aluminum Profile, 40x40x460mm	2	
SH-M8-16	Screw (Hex), M8x16	24	
SB-M6-12	Screw (Button), M6x12	4	
SH-M8-20	Screw (Hex), M8x20	12	
SH-M8-20	Screw (Hex), M8x20	16	
SH-M6-20	Screw (Hex), M6x20	4	
SH-M8-35	Screw (Hex), M8x30	12	
SS-01	Seat Slider	1	
TK-M8	Tool Kit, M8	1	
BCH-120	Chicane Connector, 120mm	2	
WF-M8	Washer (Flat), M8	20	
WL-M8	Washer (Lock), M8	28	

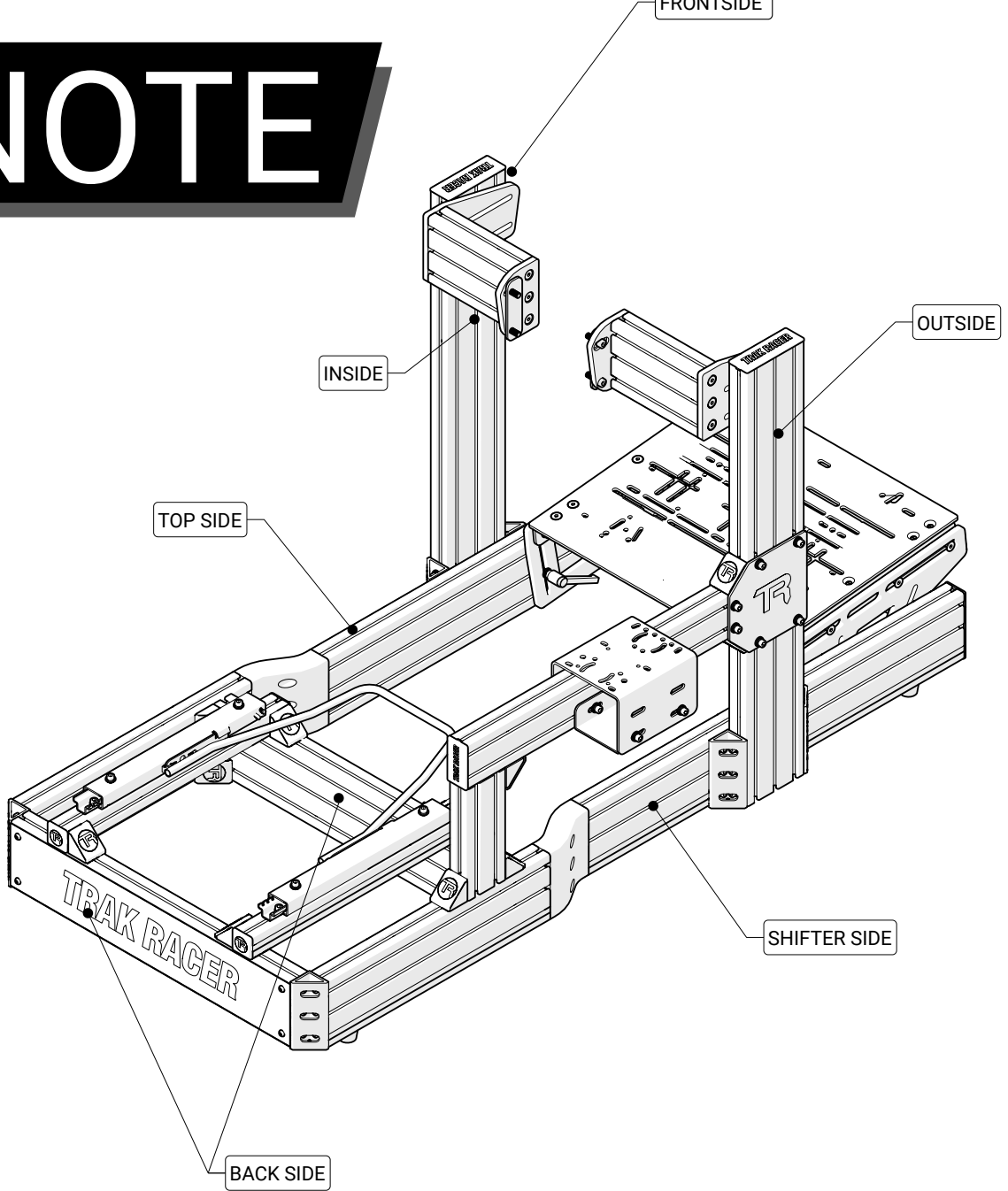
* **NOTE:** Extra hardware may be included as spare parts



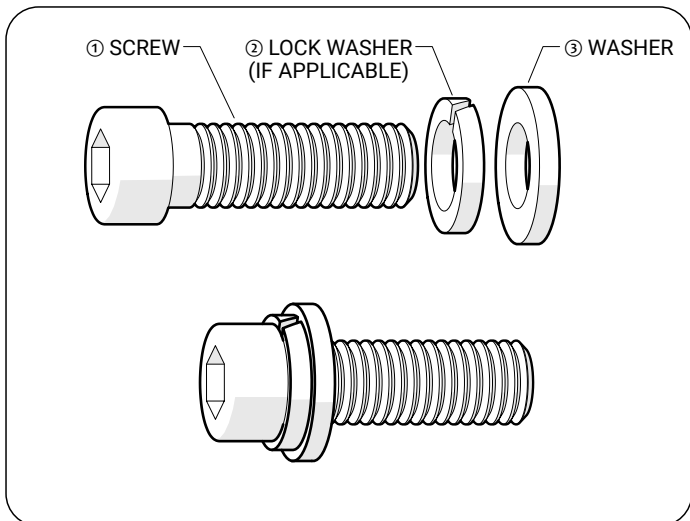
INCLUDED TOOLS



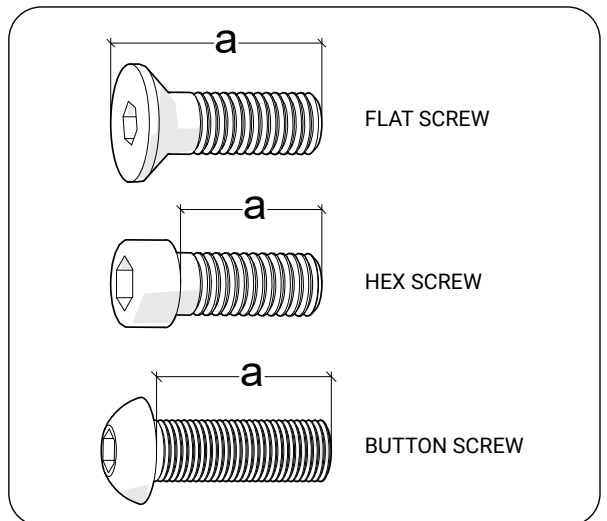
NOTE



INSTALLATION ORDER FOR SCREWS

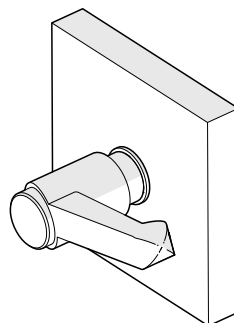
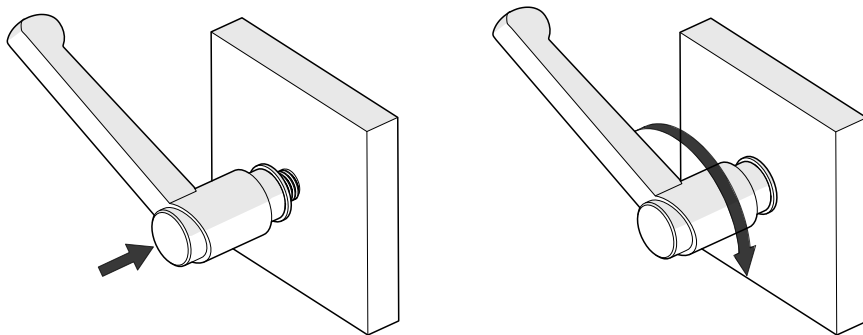
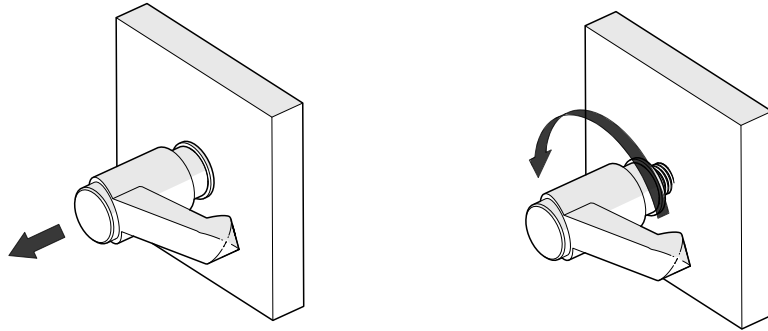
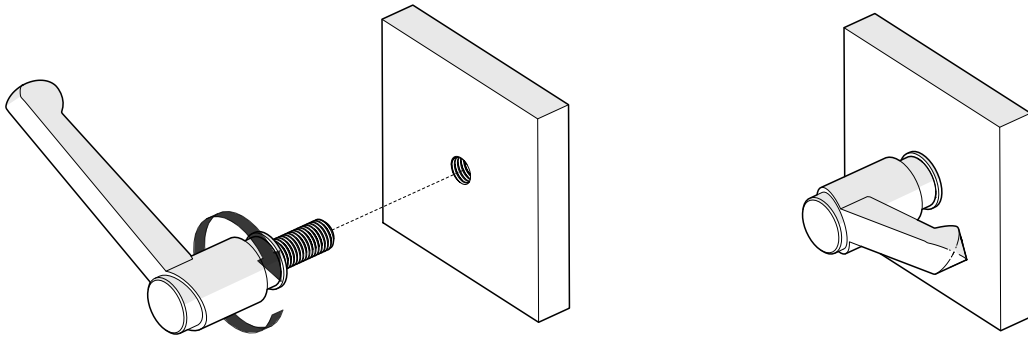


HOW TO MEASURE SCREWS



NOTE

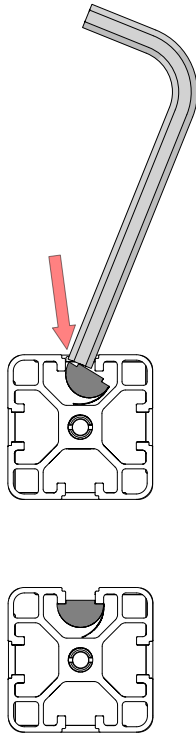
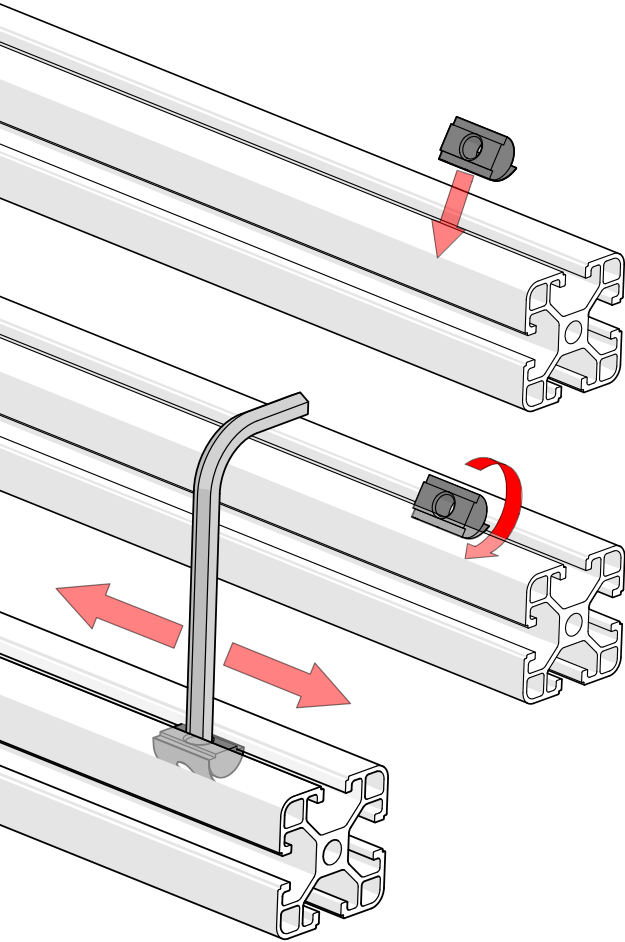
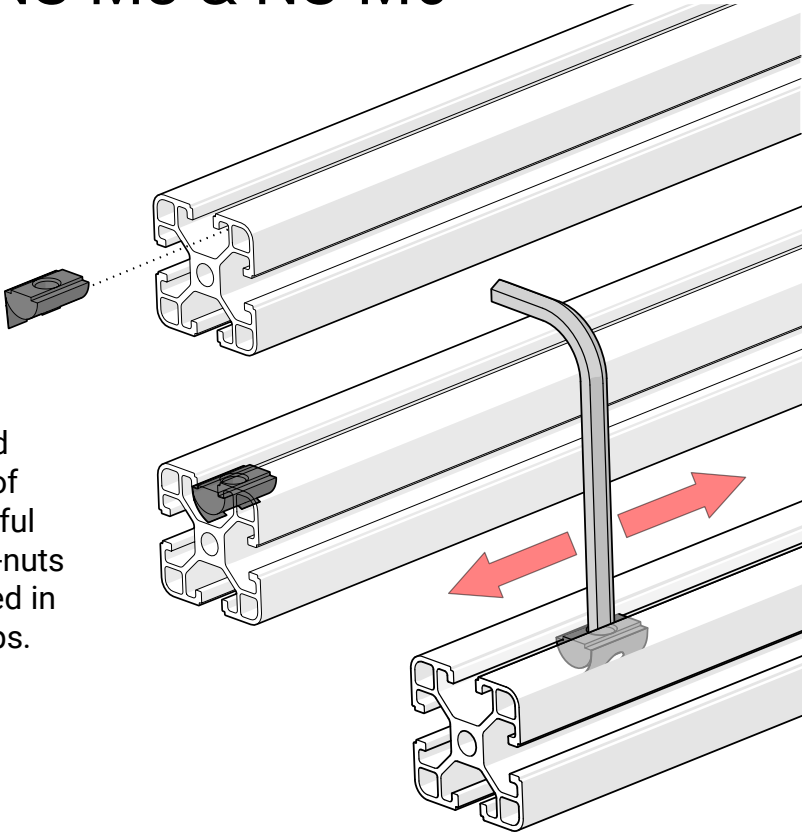
The handle screws (S7 & S27) are ratcheted to allow for tightening and loosening when space for rotation is limited. Simply pull the handle out and turn handle into position and push handle back in to engage thread.



NOTE

NS-M8 & NS-M6

It is strongly advised that spring T-Nuts are inserted by sliding from the ends of profiles. Please take careful note of each step of all T-nuts as some are to be installed in anticipation of future steps.

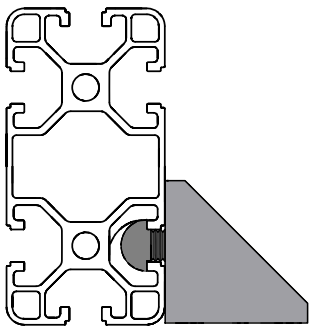
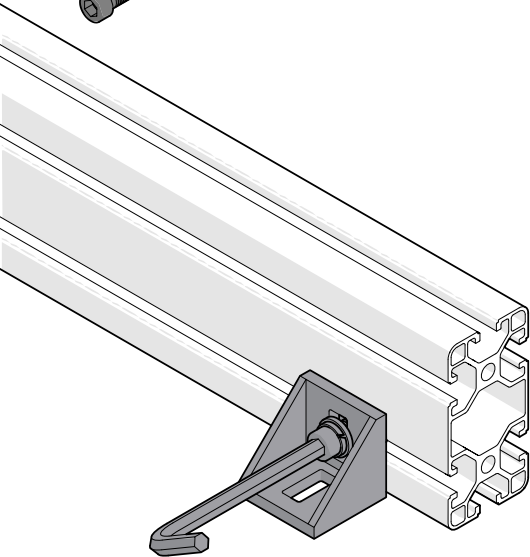
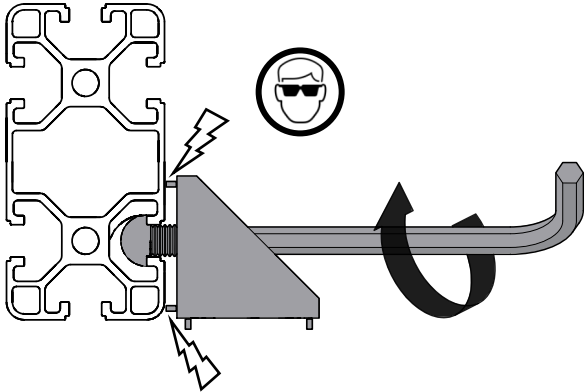
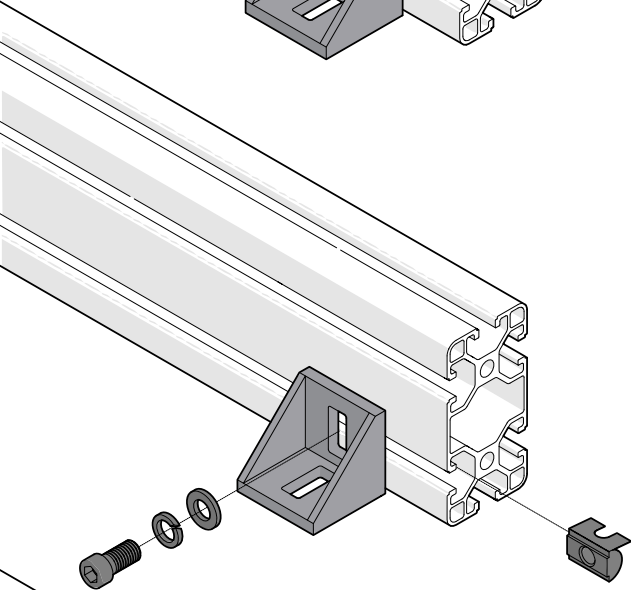
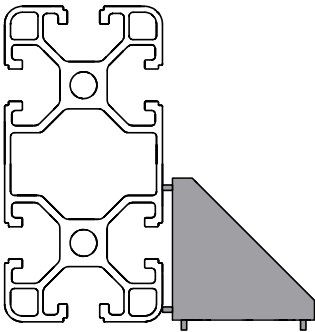
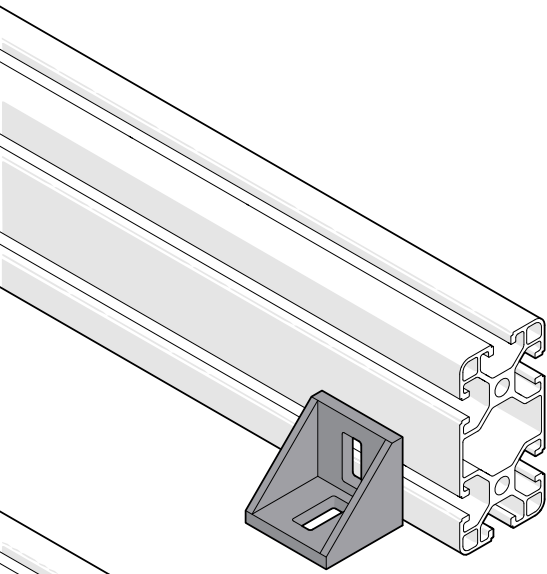


If T-Nuts are skipped, and the ends are no longer accessible, they can be inserted by "rocking" them in from the outer face as shown.

Use the provided allen key to push the T-Nut into position and place the hole to slide into position.

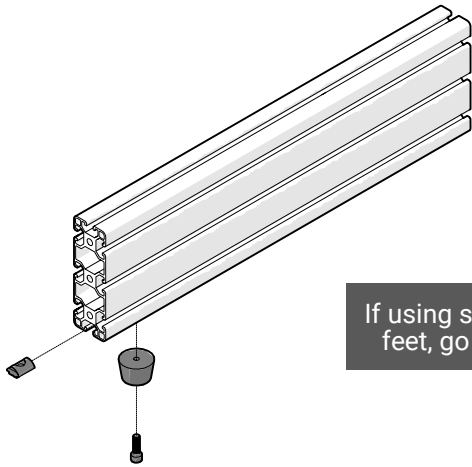
NOTE

BC-40

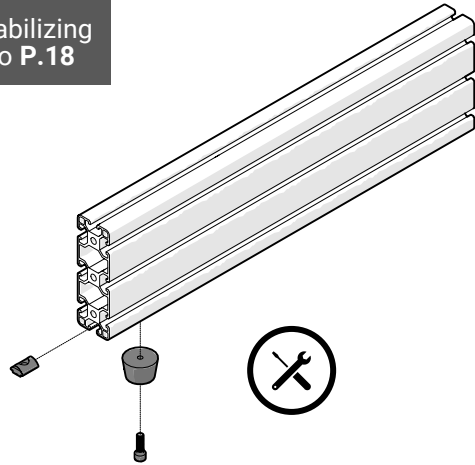


1

- AT-120-500 x2
- NS-M6 x2
- FR-01 x2
- SH-M6-20 x2 (M6x20mm)



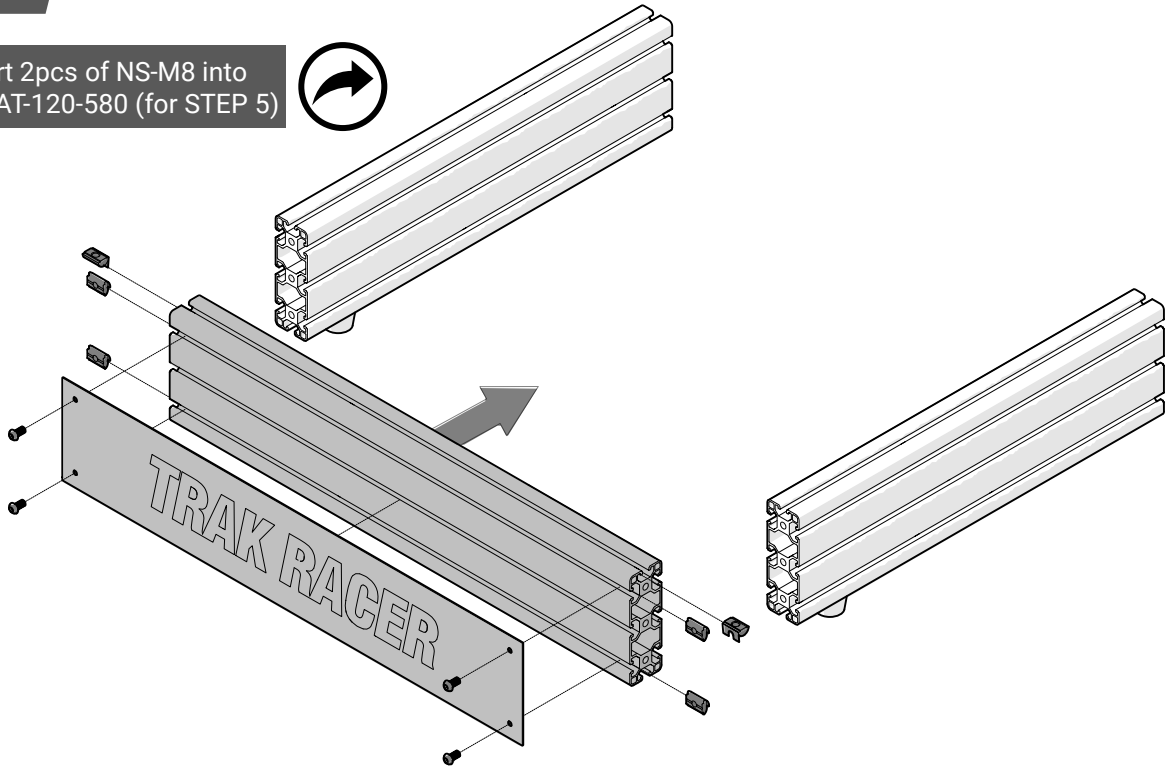
If using stabilizing feet, go to P.18



2

- AT-120-580 x1
- NS-M8 x2
- NS-M6 x4
- SB-M6-12 x4
- LP-120 x4 (TRAK RACER)

Insert 2pcs of NS-M8 into TOP of AT-120-580 (for STEP 5)



3

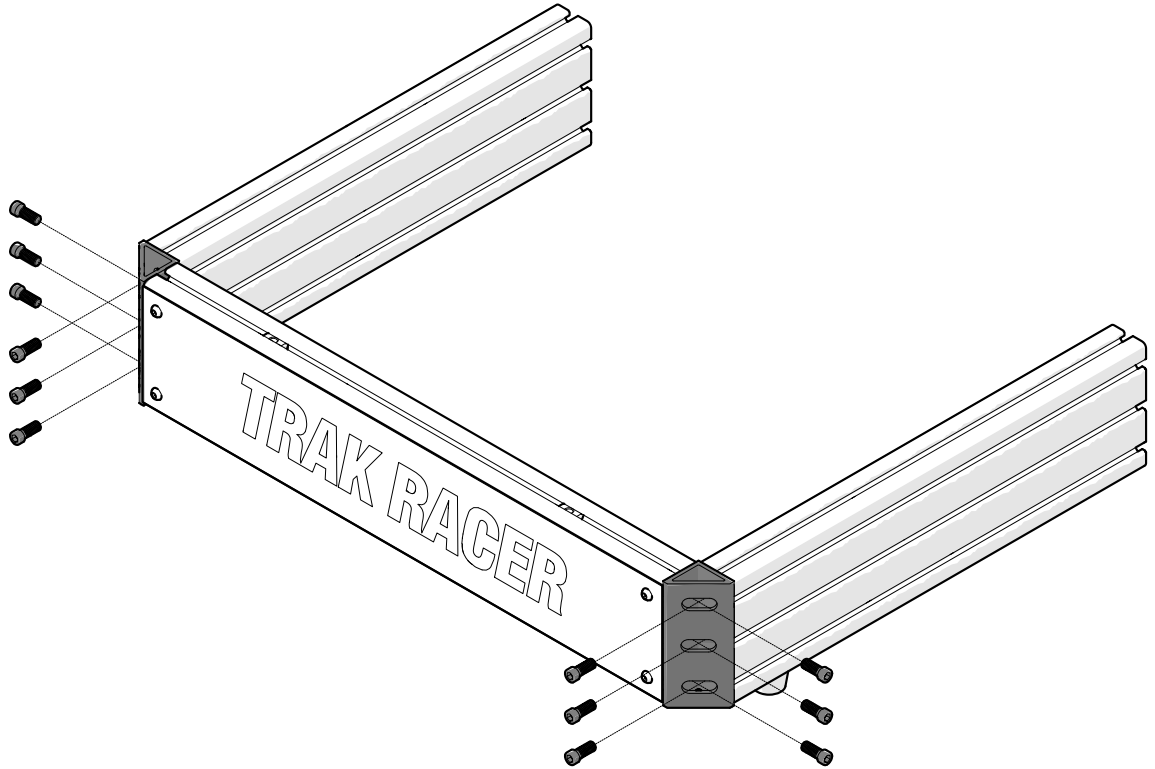


M8x20mm

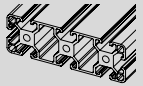
SH-M8-20 x12



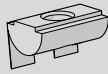
BA-120-BLK x2



4

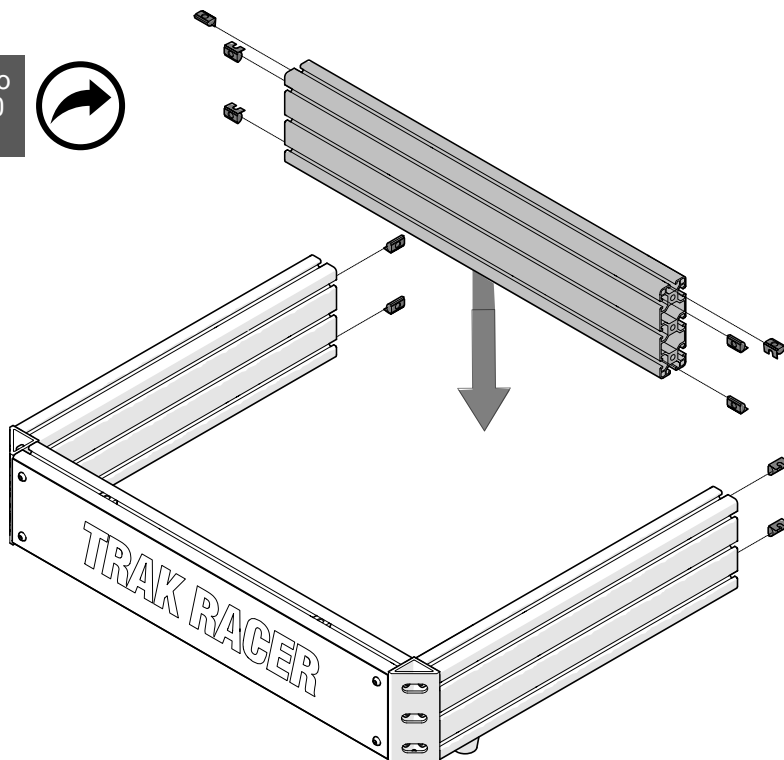


AL-120-580 x1



NS-M8 x10

Insert 2pcs of NS-M8 into
TOP SIDE of AL-120-580
(for STEP 5)



5



M8x20mm

SH-M8-20 x8



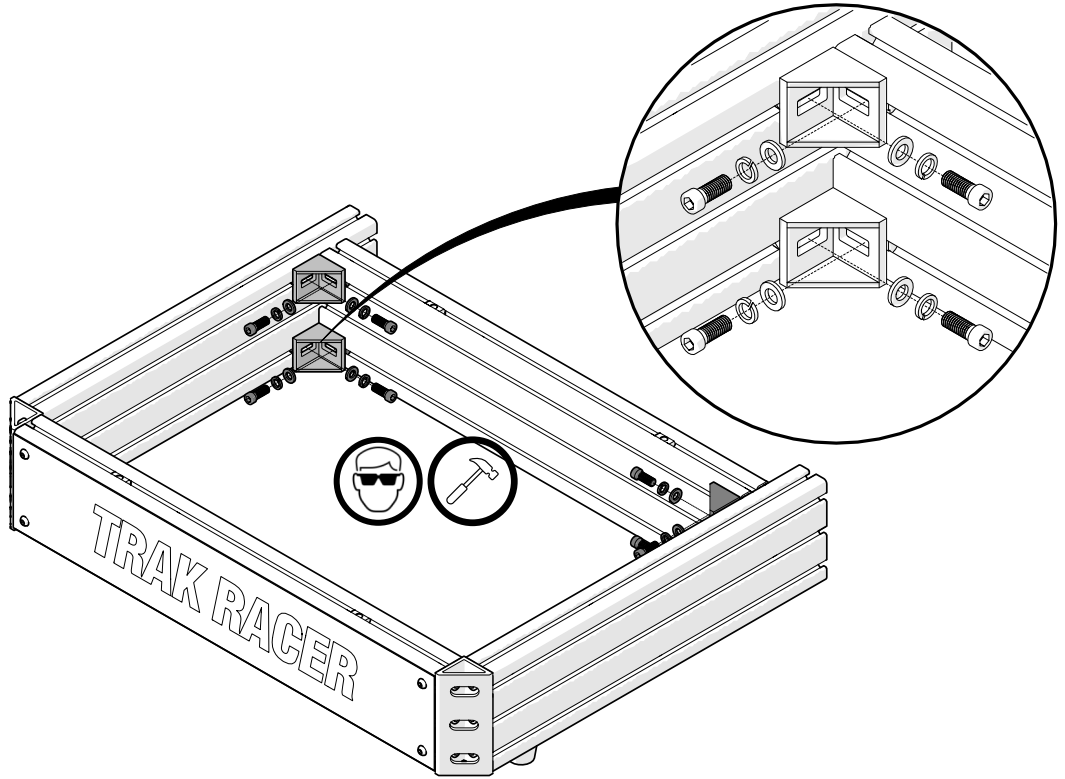
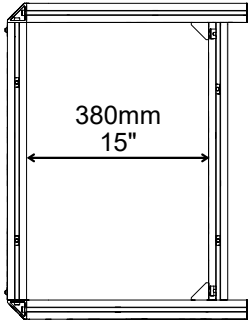
WL-M8 x8



WF-M8 x8



BC-40 x4



6



AL-40-460 x2



M8x20mm

SH-M8-20 x8



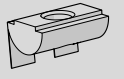
WL-M8 x8



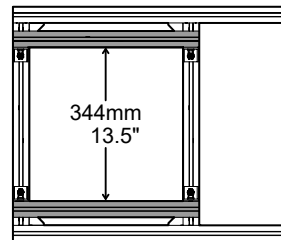
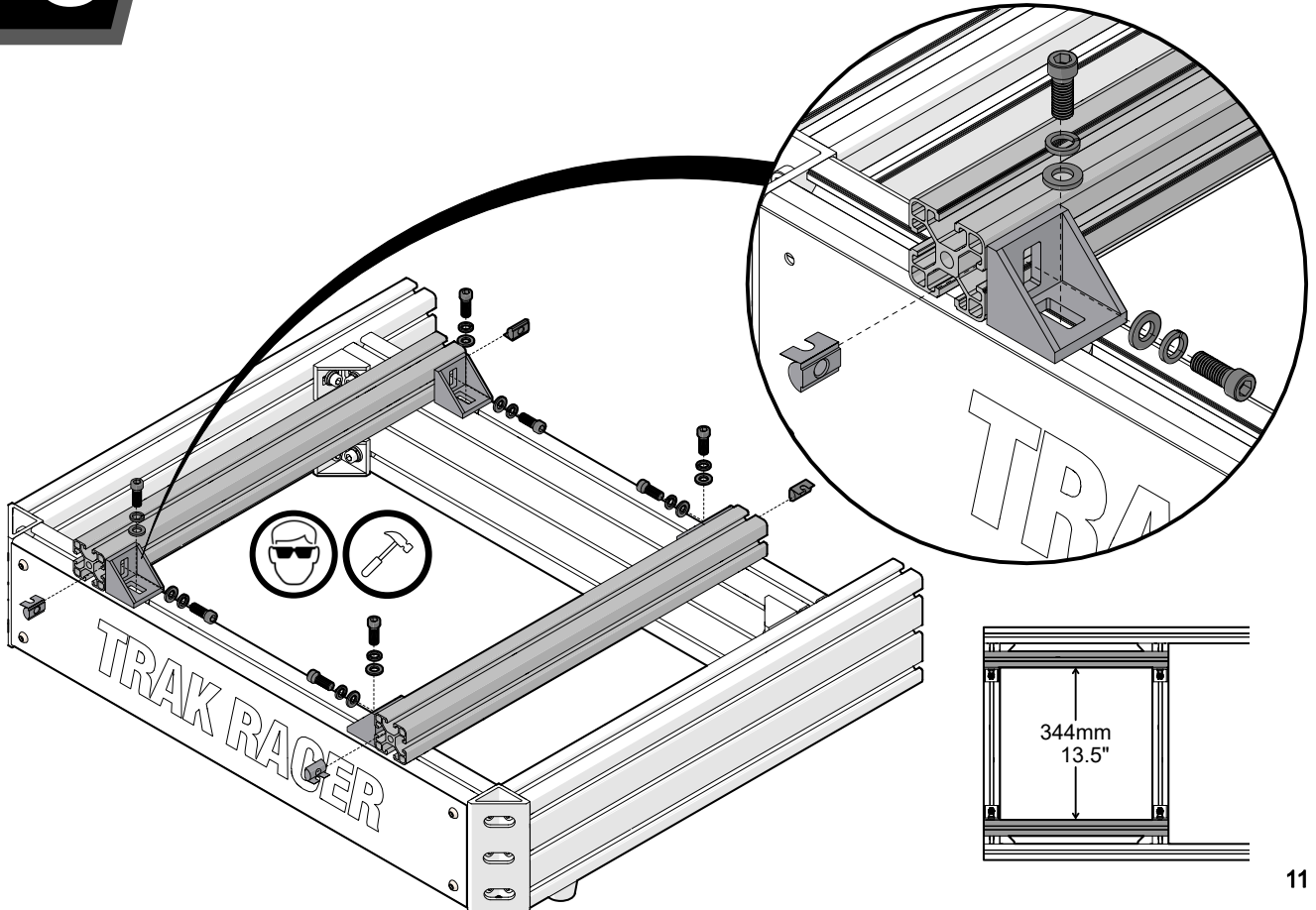
WF-M8 x8



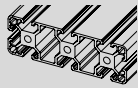
BC-40 x4



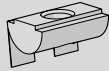
NS-M8 x4



7



AT-120-780 x2



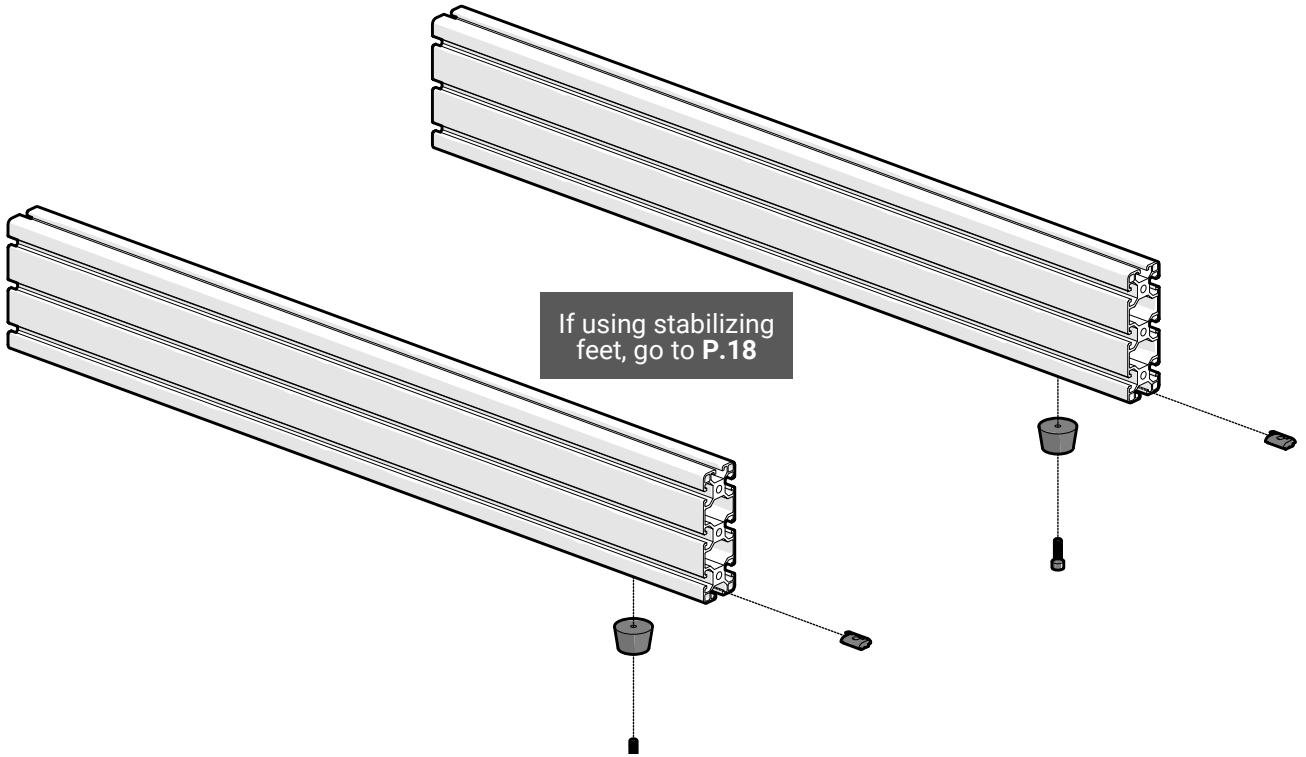
NS-M6 x2



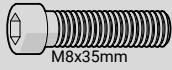
FR-01 x2



SH-M6-20 x2



8



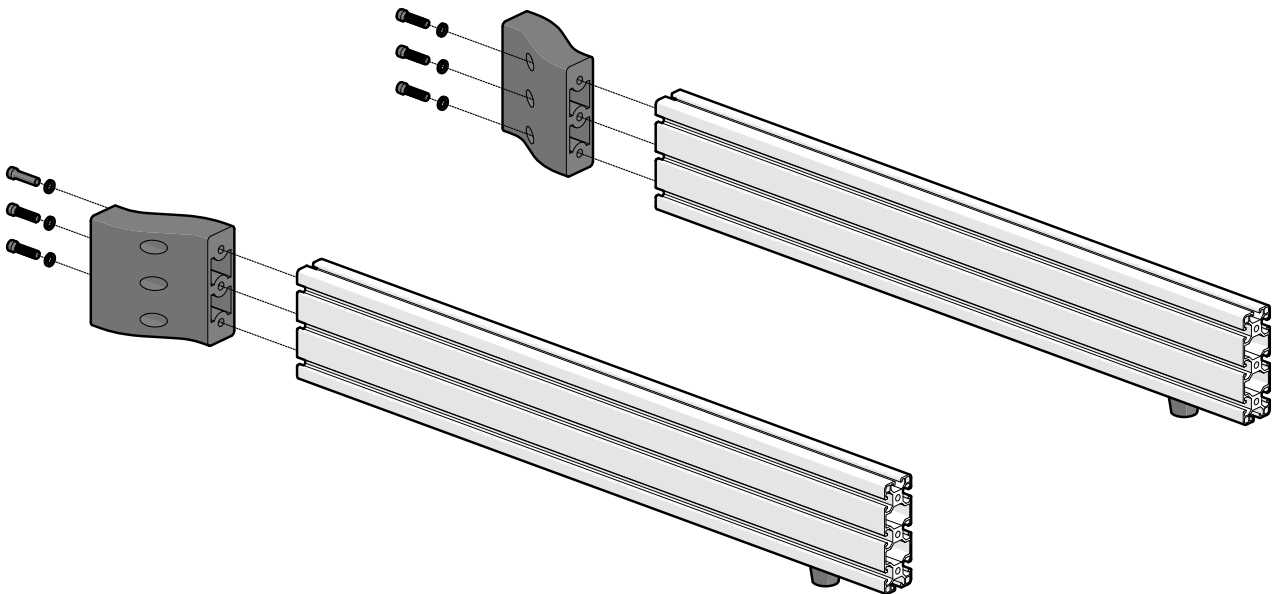
SH-M8-35 x6



WL-M8 x6



BCH-120 x2



9

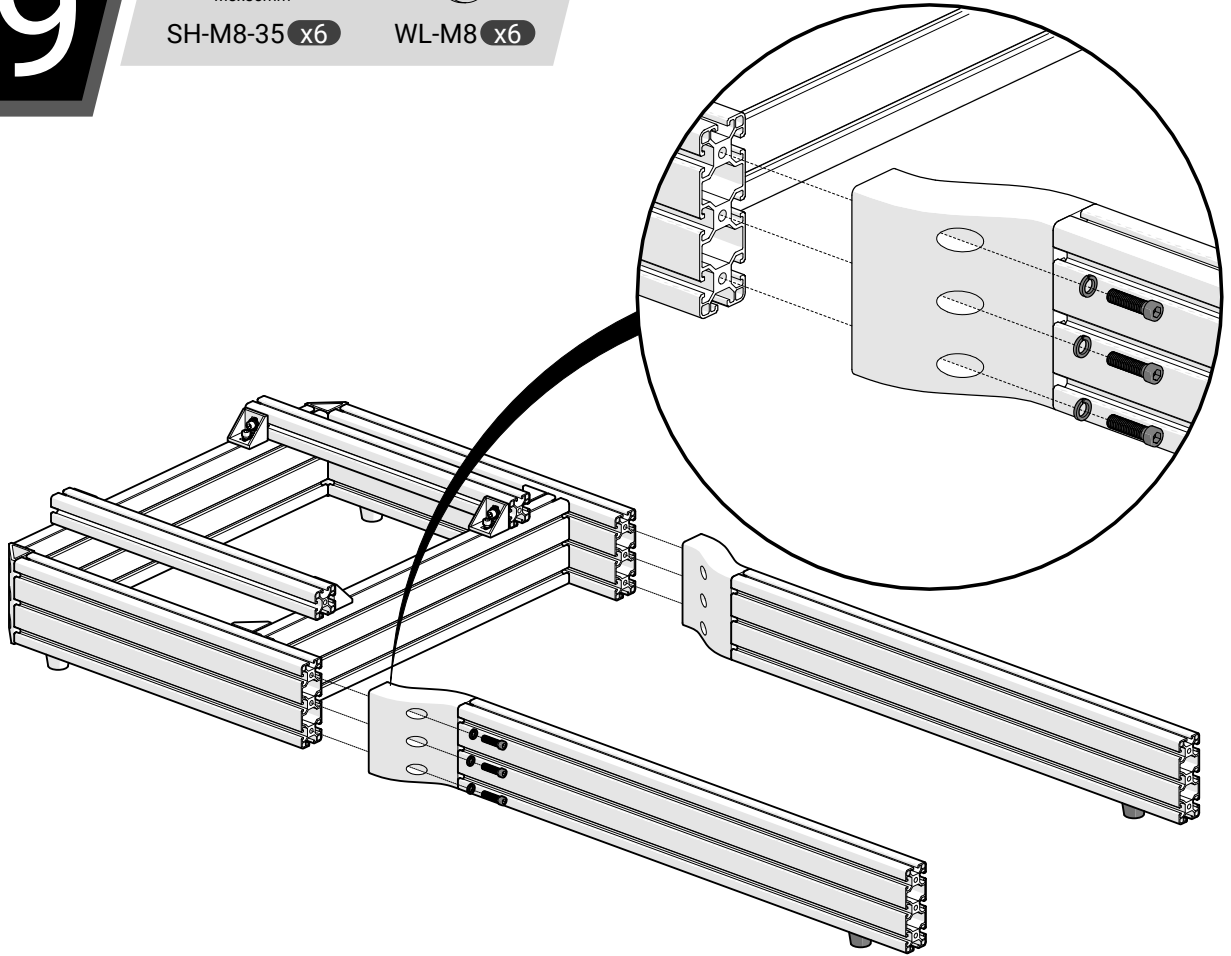


M8x35mm

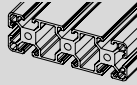
SH-M8-35 x6



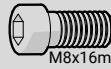
WL-M8 x6



10

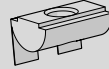


AL-120-780 x2



M8x16mm

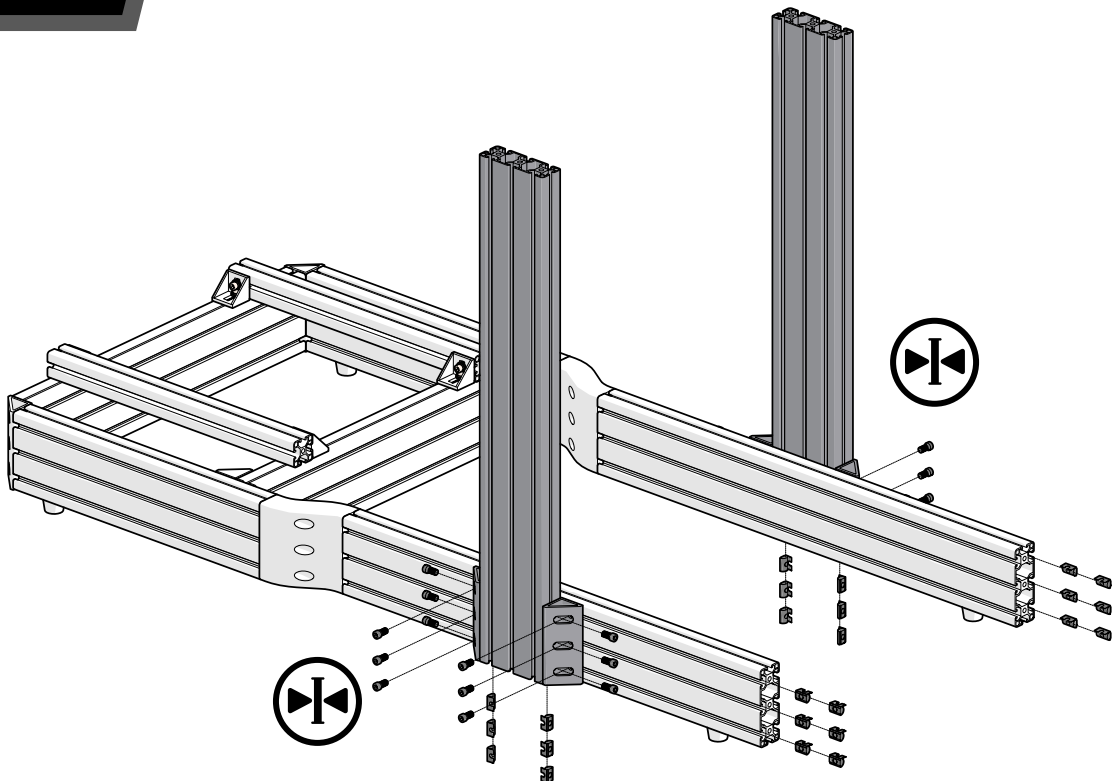
SH-M8-16 x24



NS-M8 x24



BA-120-BLK x4



11



BC-40 x8

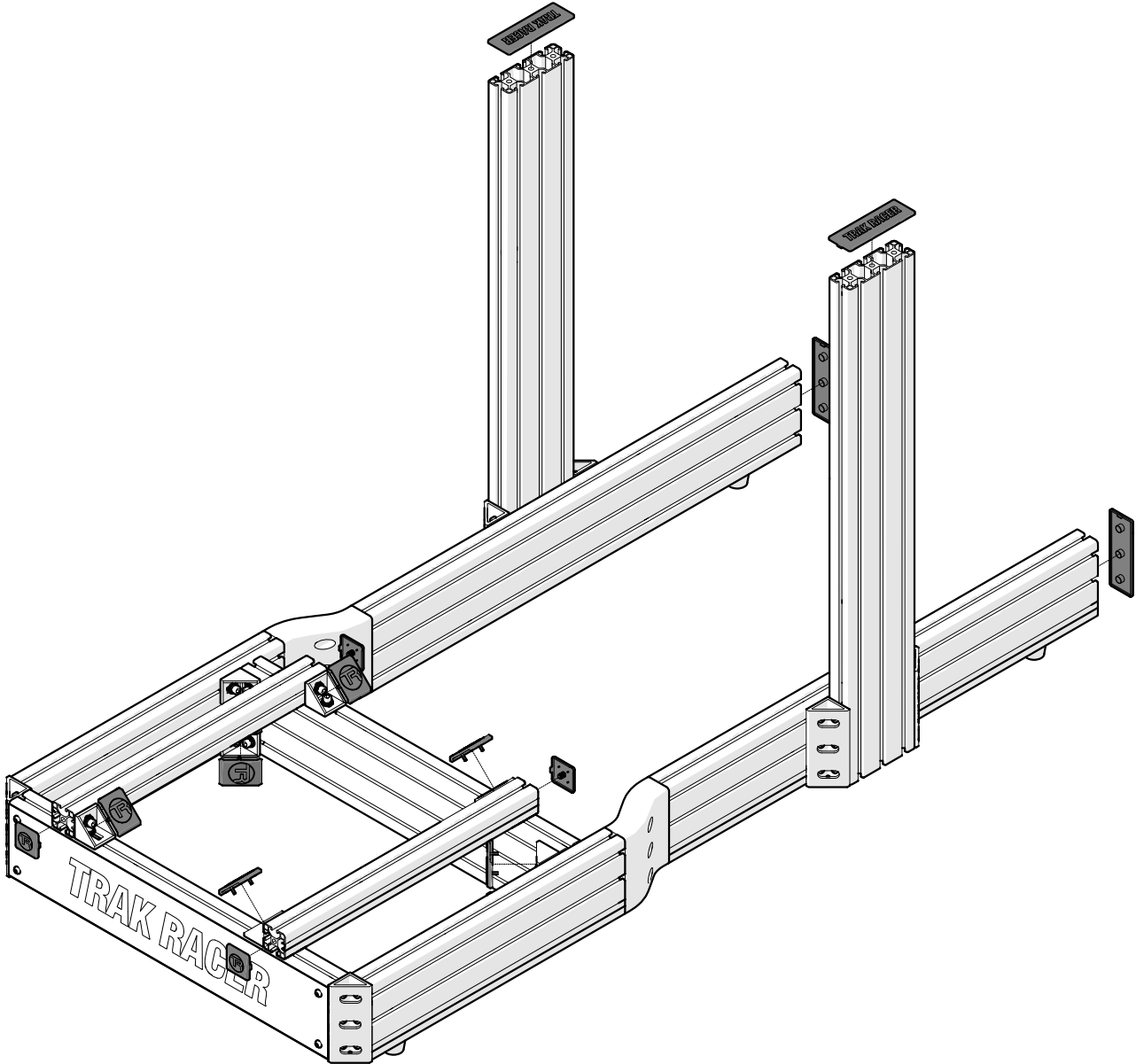


EC-40 x4



EC-120 x4

Note: End caps should be installed after all accessories are mounted



12



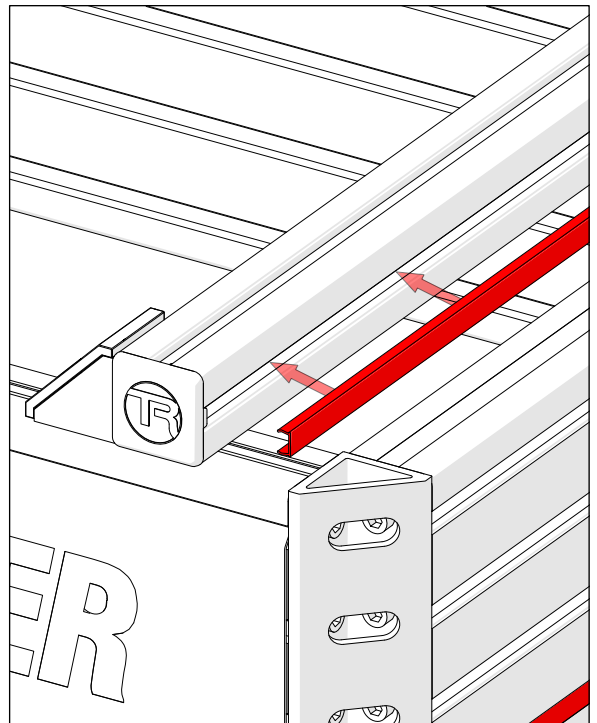
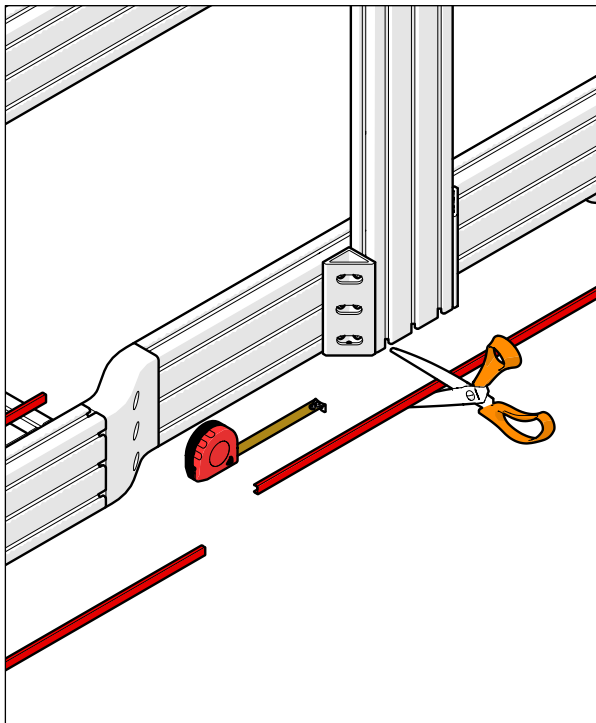
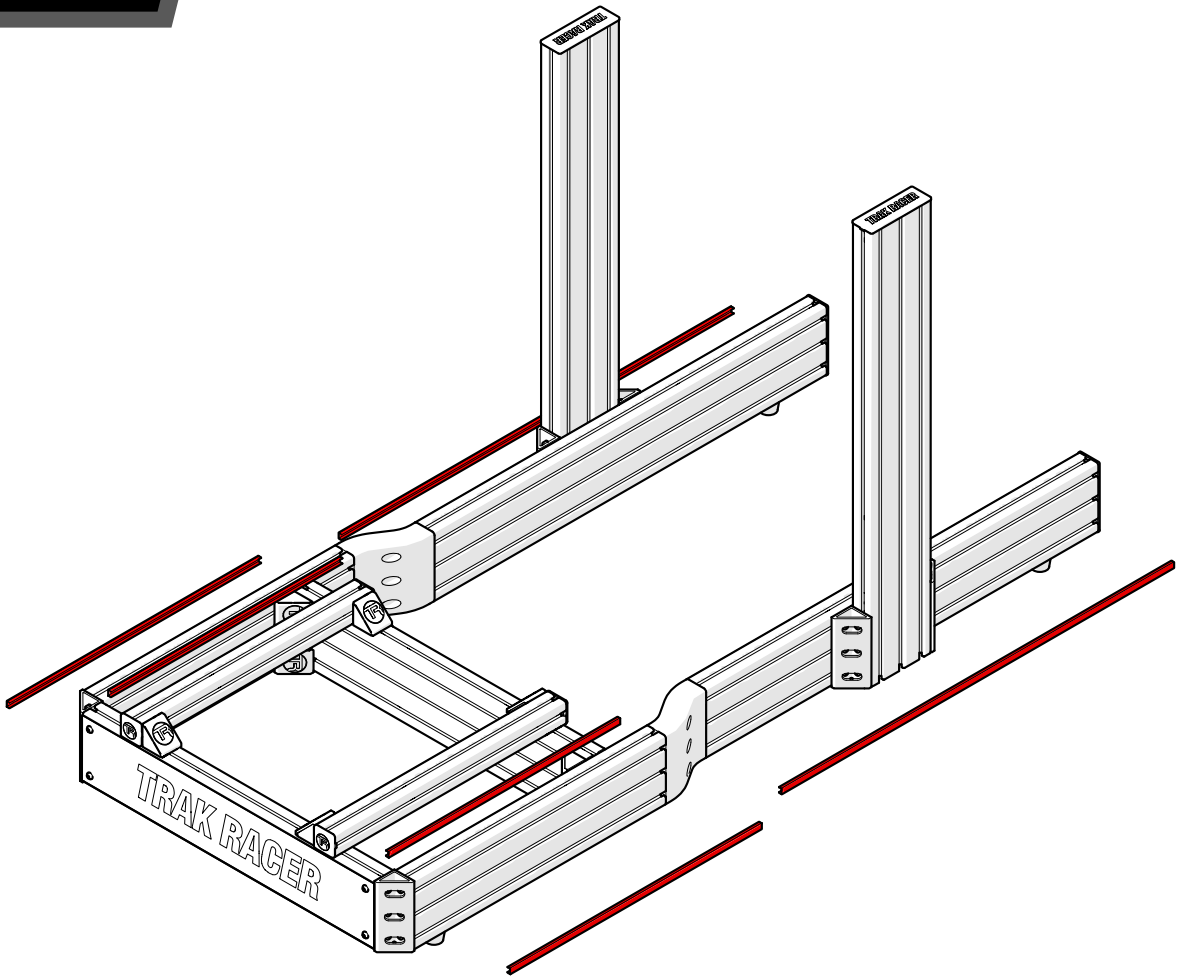
PS-780-R x2



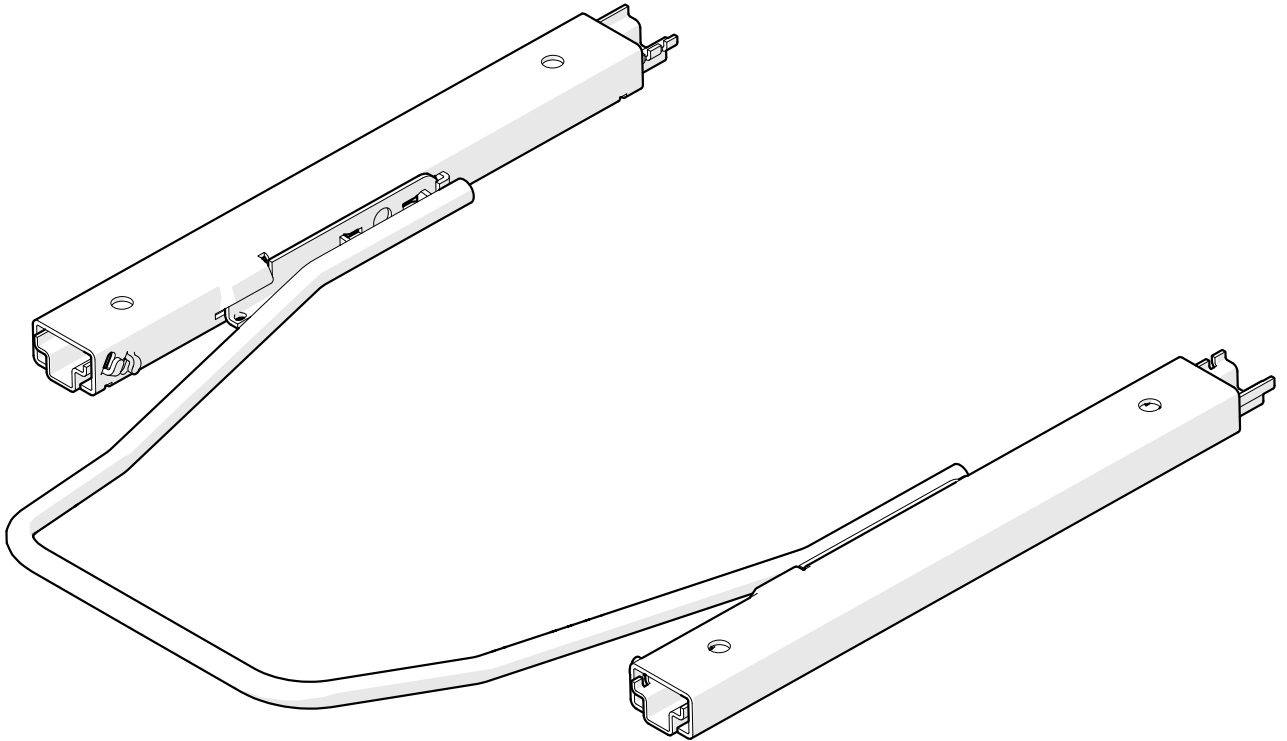
PS-500-R x2



PS-460-R x2



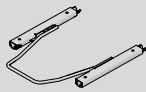
Seat Slider Assembly



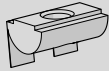
Part #	Description	QTY	Check
BOX #: TR120-BLK-PART2			
SS-01	Seat Slider	1	
SH-M8-16	Screw (Hex), M8x16	4	
NL-M8	Nut (Locking), M8	4	
WF-M8	Washer (Flat), M8	4	
WL-M8	Washer (Lock), M8	4	

TR80-SLIDER

1



SS-01 x1



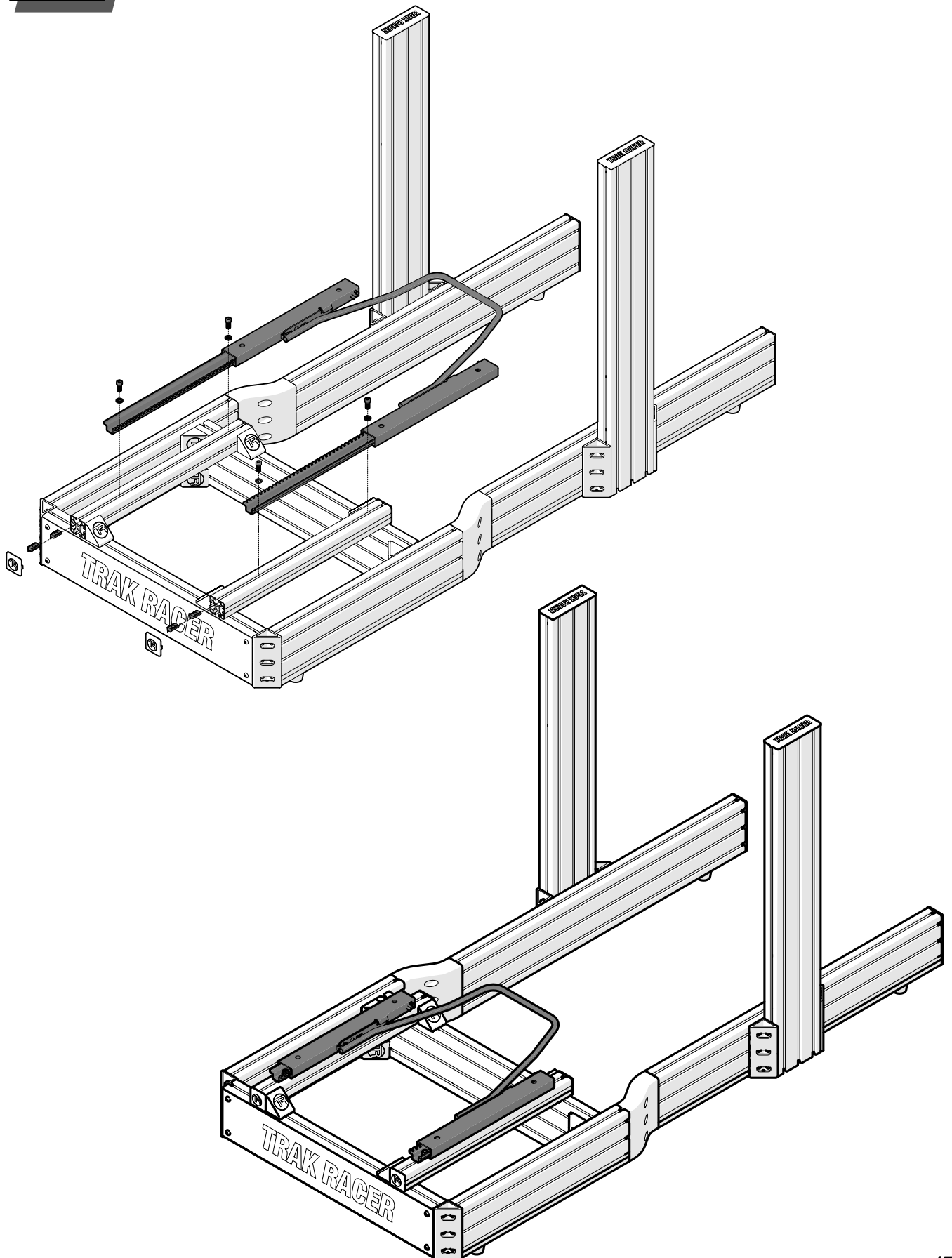
NS-M8 x4



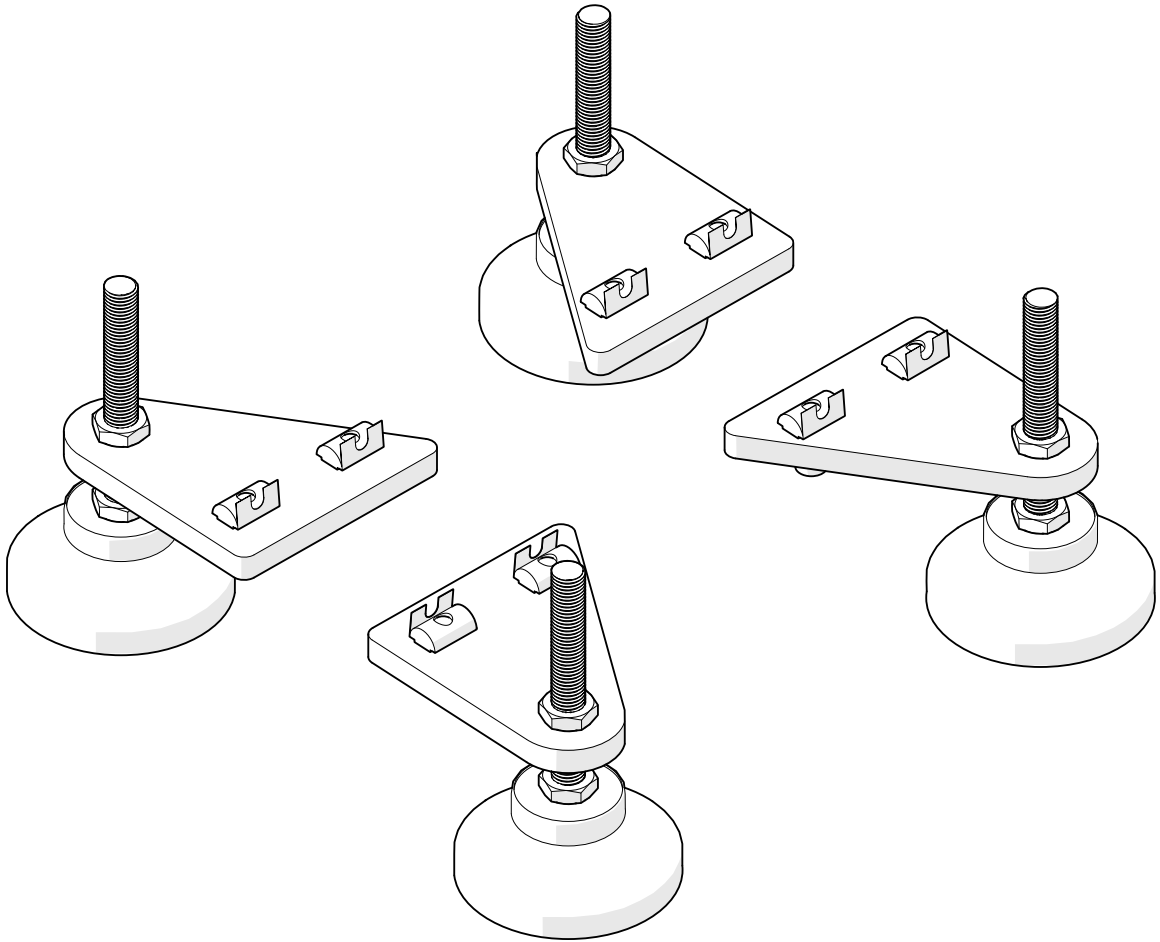
SH-M8-16 x4



WL-M8 x4



Stabilizing Feet Option

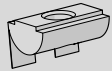


Part #	Description	QTY	Check
BOX #: TR80-TR160FEET			
SH-M8-25	Screw (Hex), M8x25	8	
WF-M8	Washer (Flat), M8	8	
WL-M8	Washer (Lock), M8	8	
NS-M8	T-Nut (Spring), M8	8	
BF-01	Bracket, Feet Adjustable	4	
FA-01	Feet, Adjustable	4	

* **NOTE:** Extra hardware may be included as spare parts

TR80-TR160FEET

1



NS-M8 x8



SH-M8-25 x8



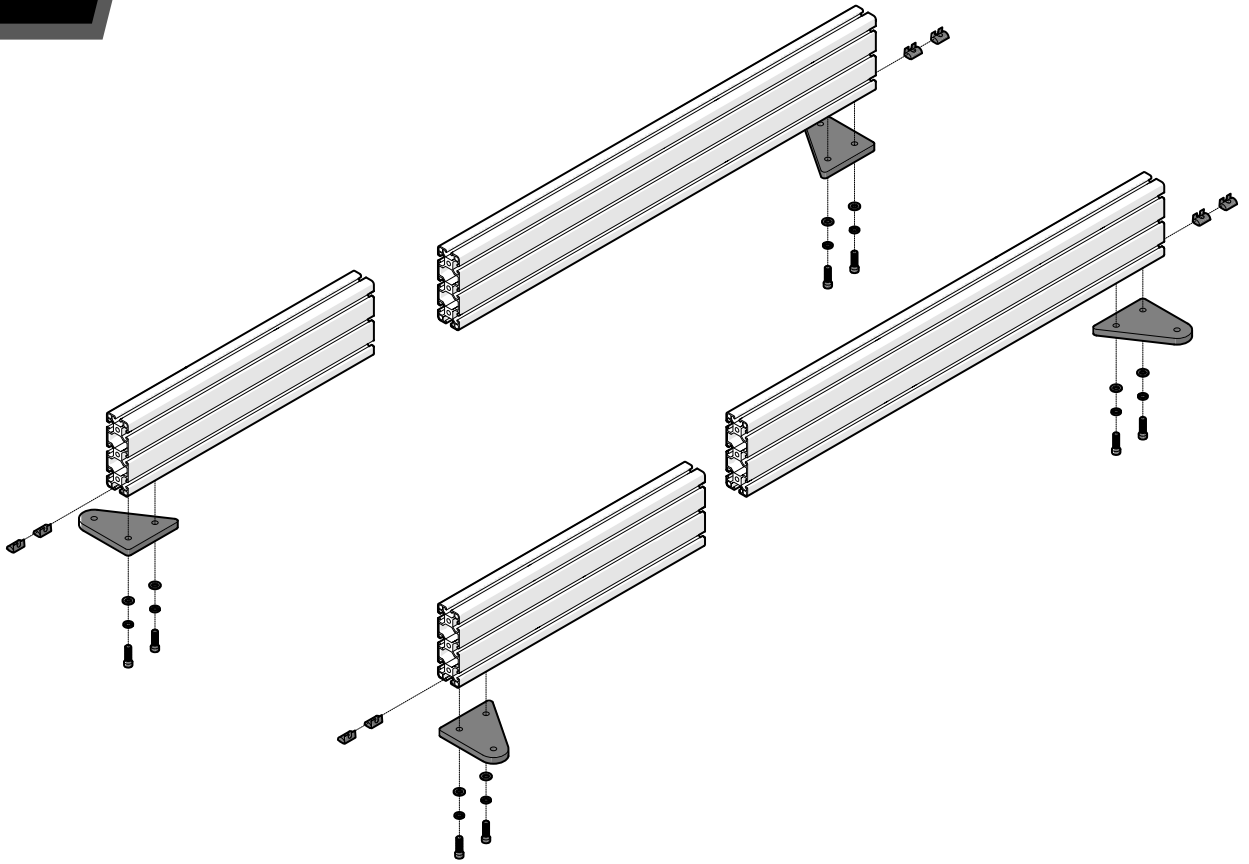
WL-M8 x8



WF-M8 x8



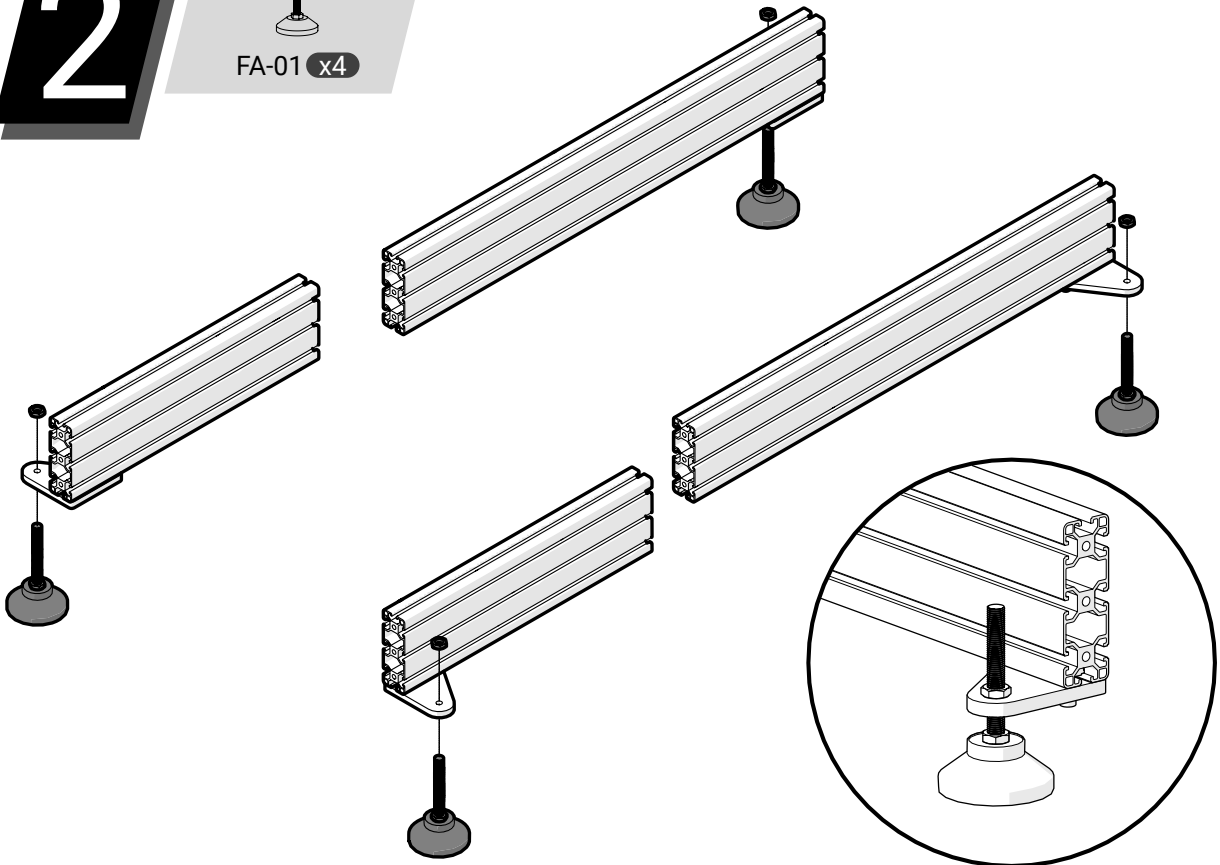
BF-01 x4



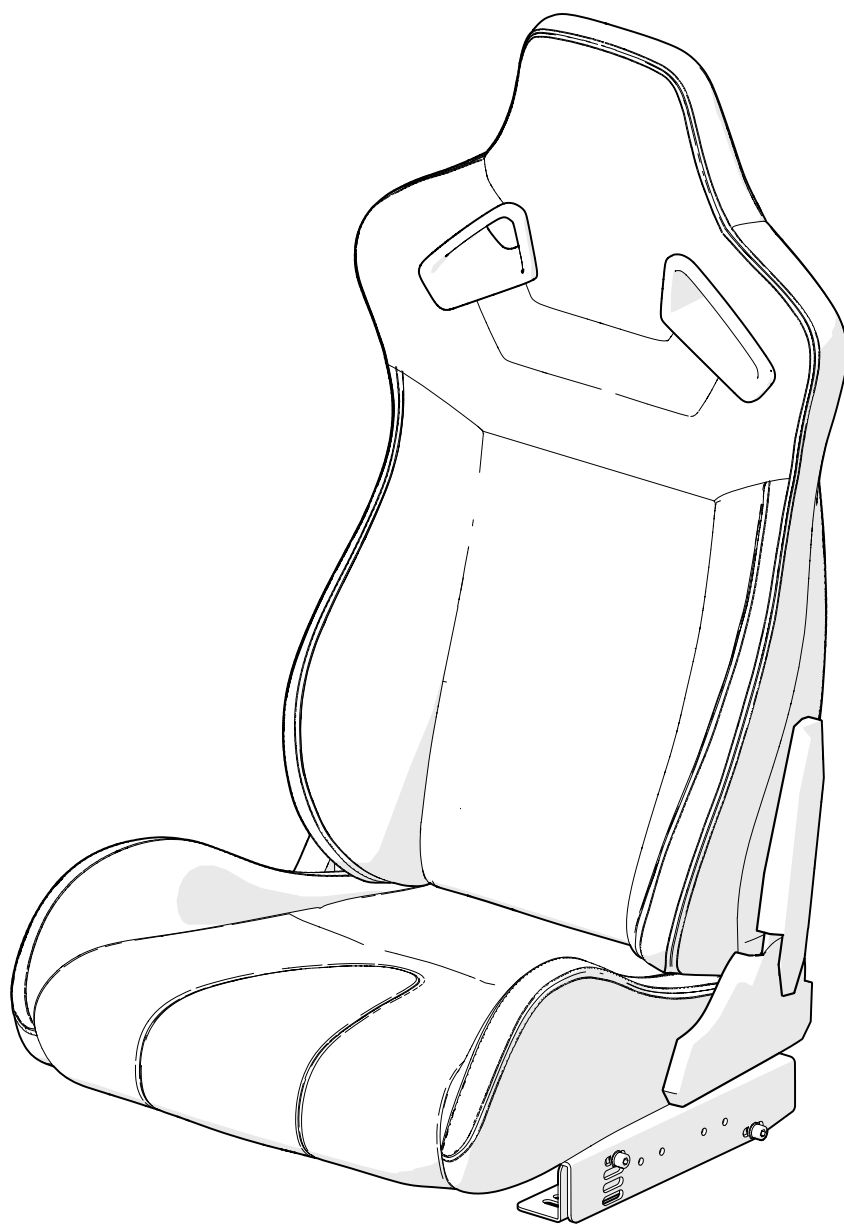
2



FA-01 x4

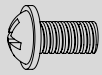


Recliner Seat Assembly



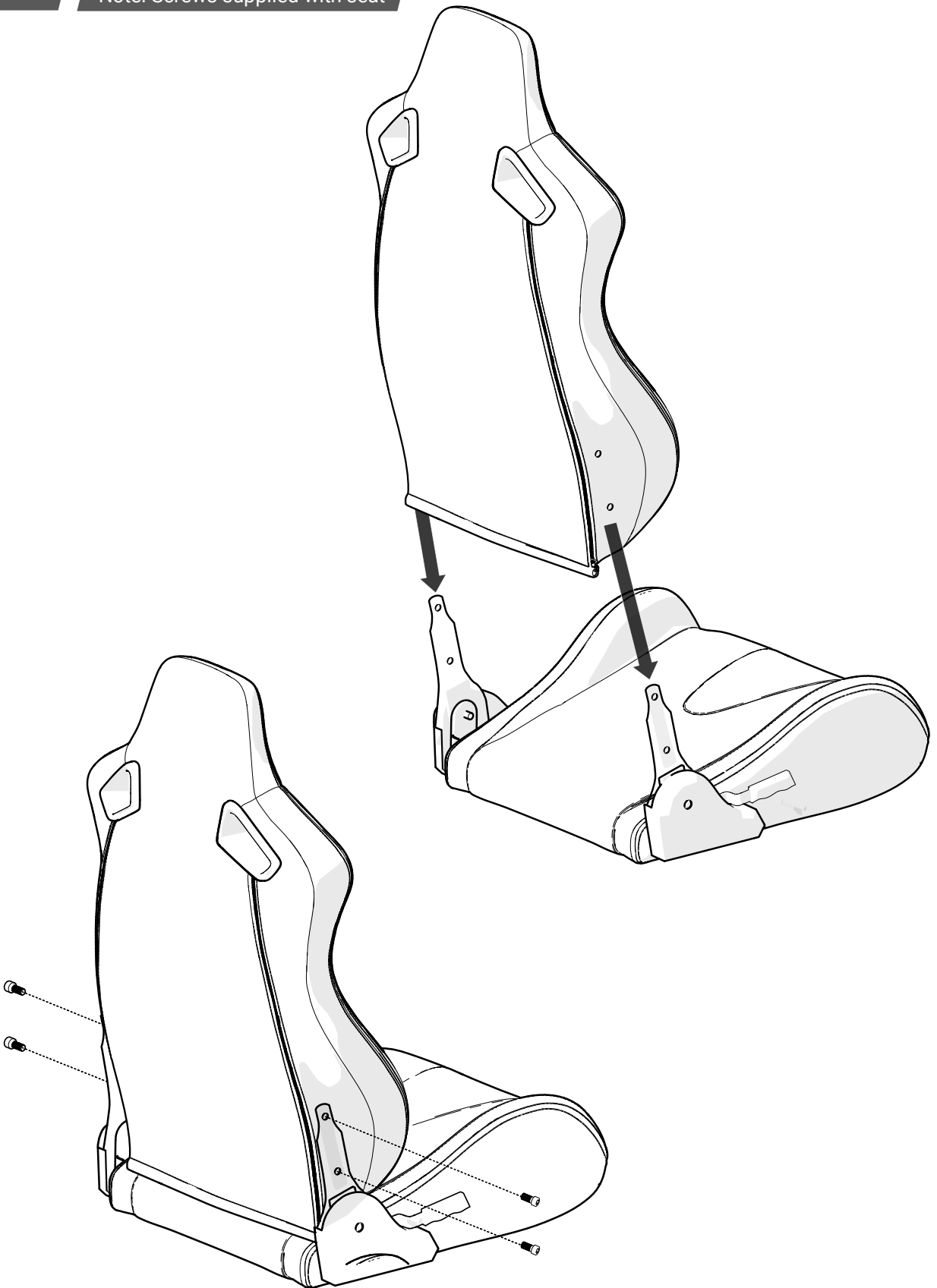
SA-06/SA-07/SA-08

1

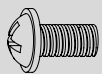


x4

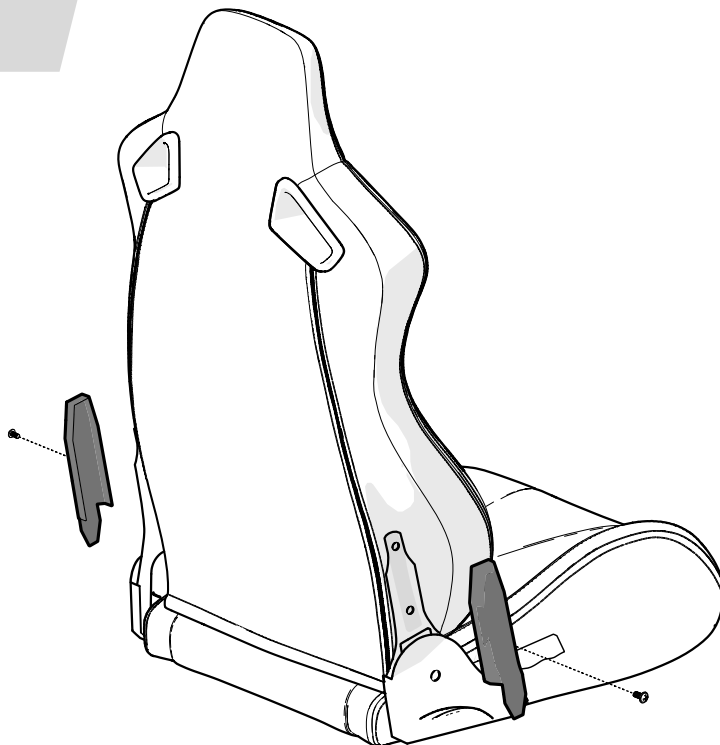
Note: Screws supplied with seat



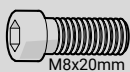
2



x2



3

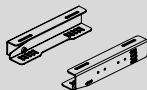


M8x20mm

SH-M8-20 x8

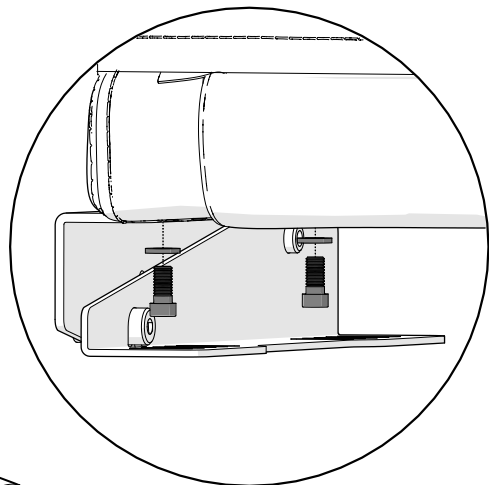
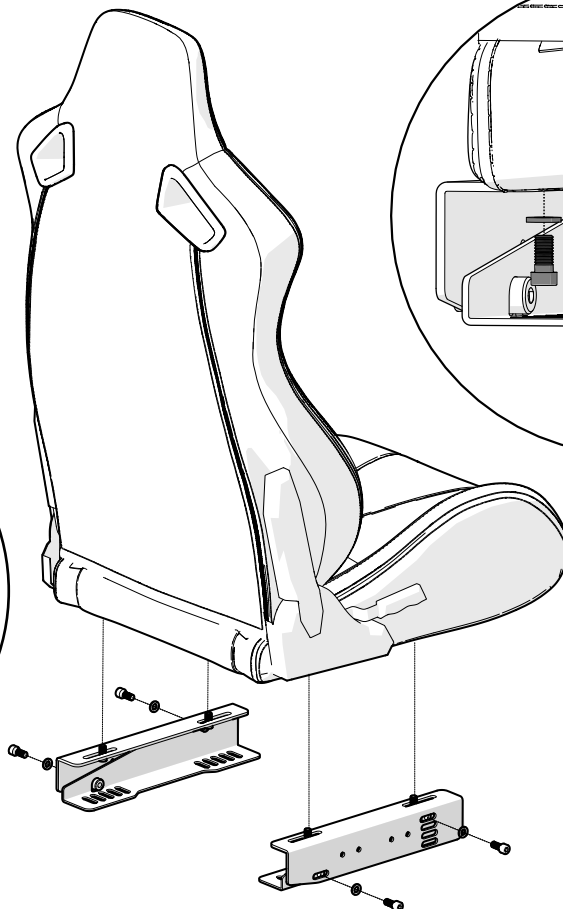
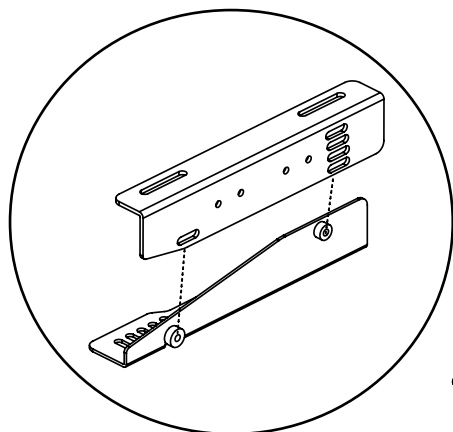


WF-M8 x8



SB-03 x1

Note: Screws supplied with seat & SB-03



4



M8x16mm

SH-M8-16 x4



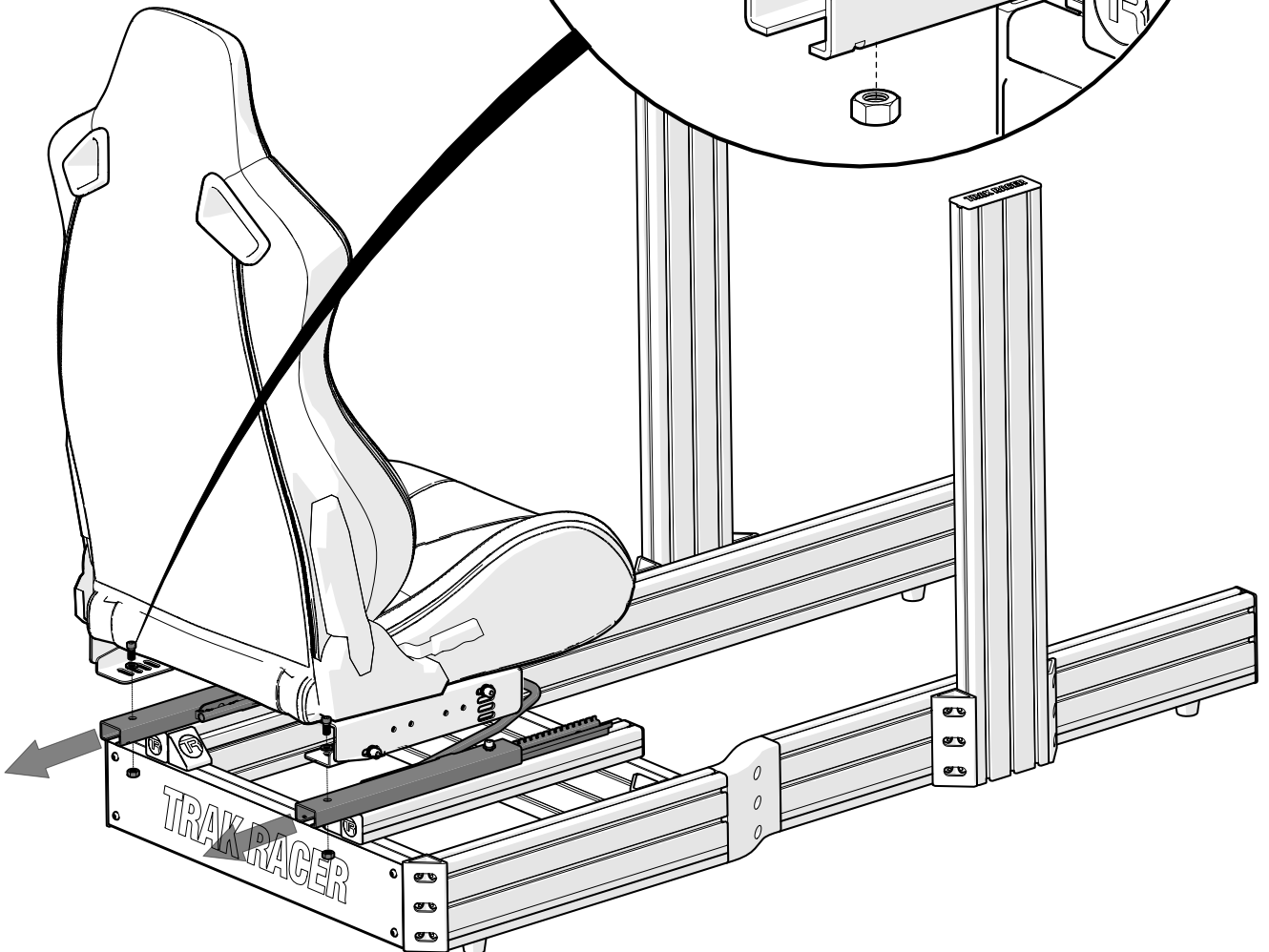
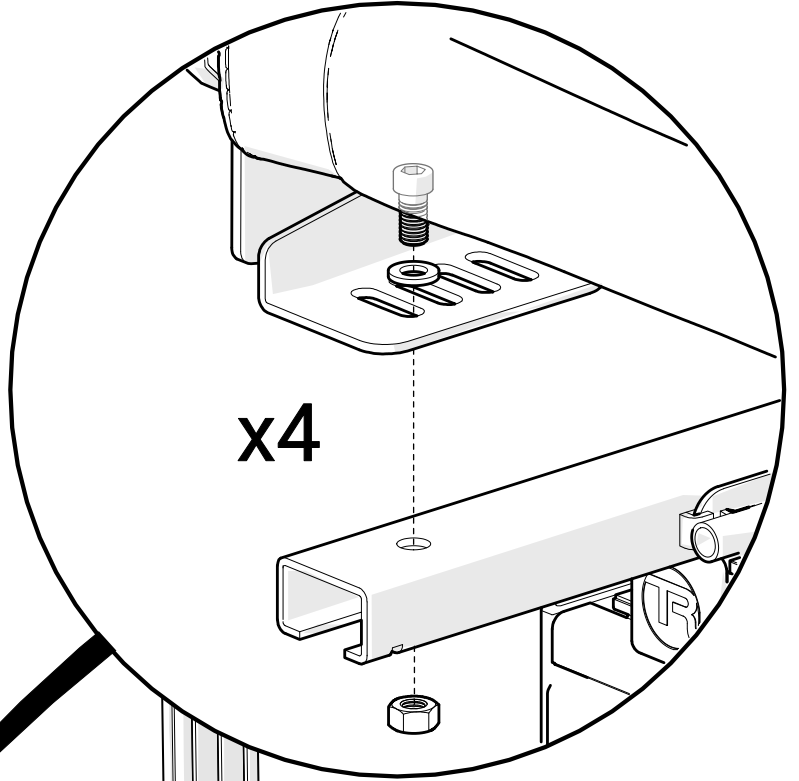
WF-M8 x4



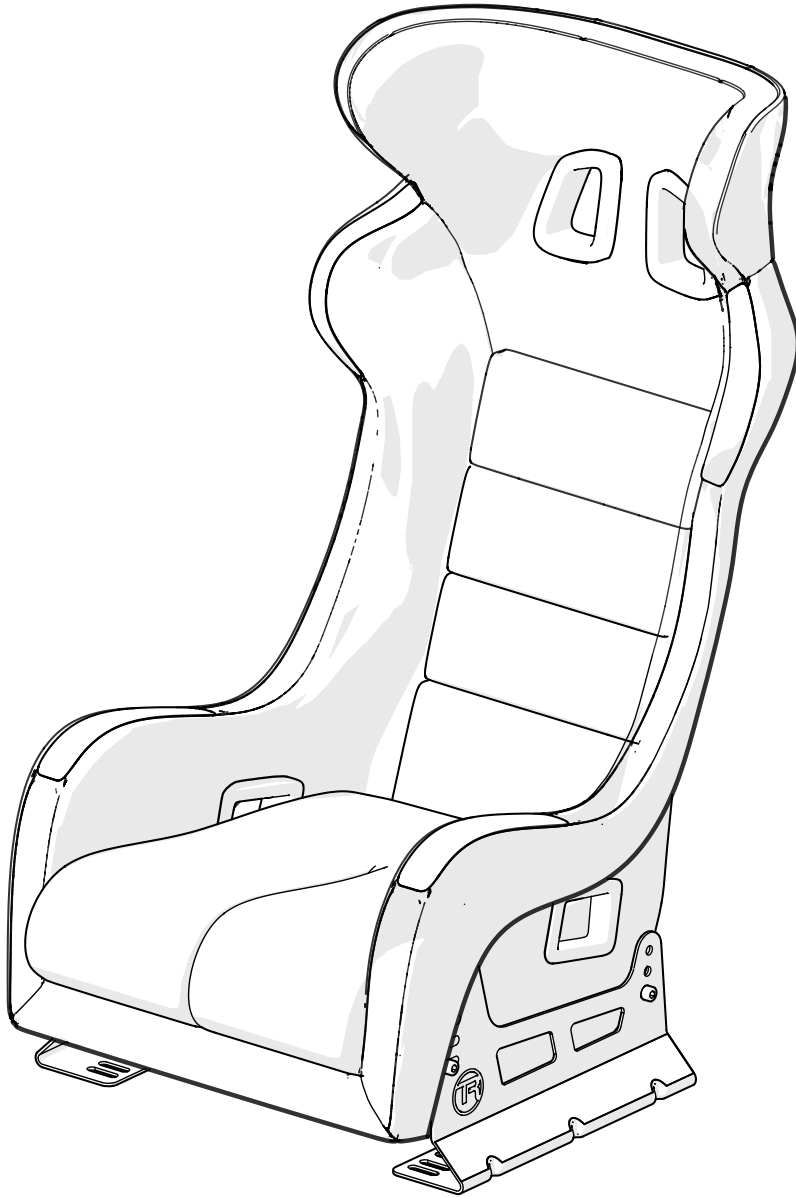
NL-M8 x4

Note: Hardware supplied with Seat Slider

Slide the slider all the way back to install screws and nuts. Then slide all the way forward and repeat for front screws and nuts.



GT/Rally Seat Assembly



SA-04/SA-05/SA-09/SA-10

1



M8x16mm

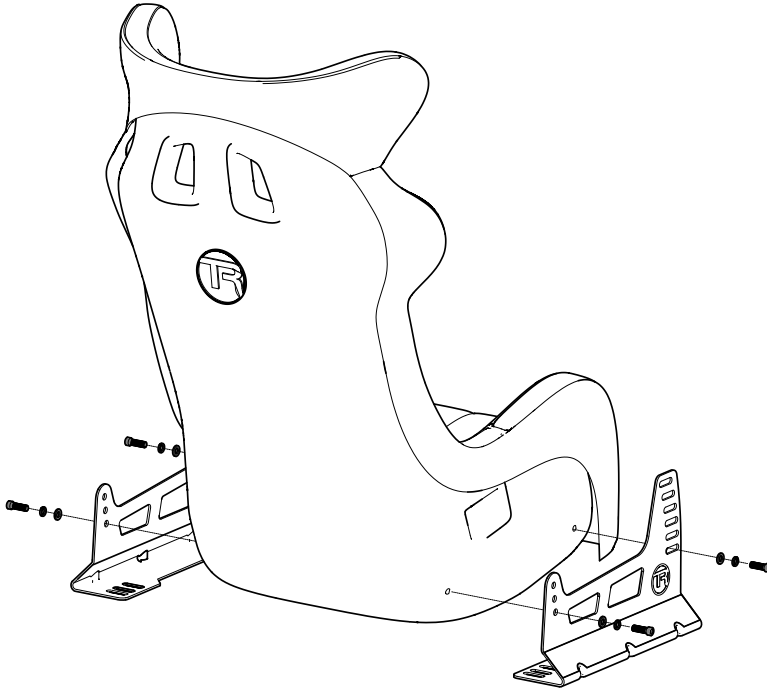
SH-M8-16 x4



WL-M8 x4



WF-M8 x4



2



M8x16mm

SH-M8-16 x4

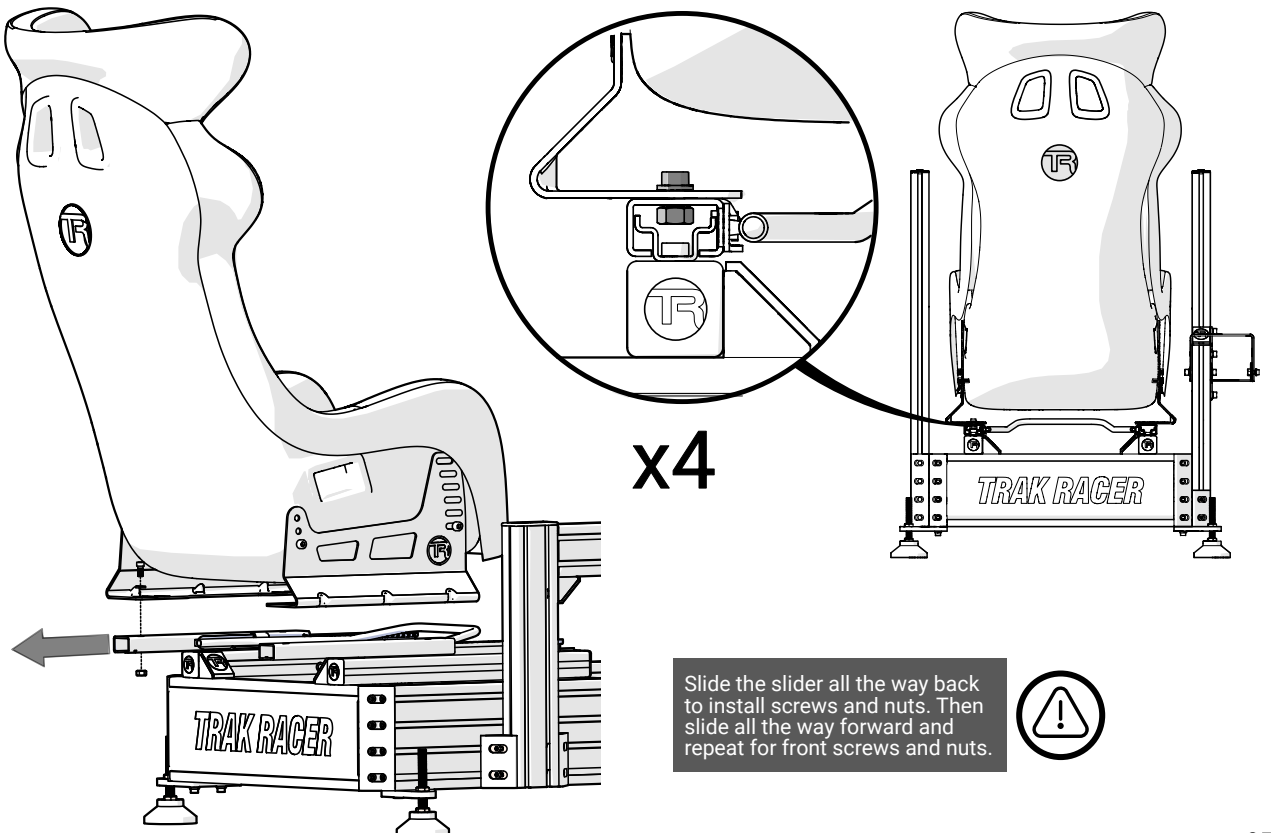


WF-M8 x4

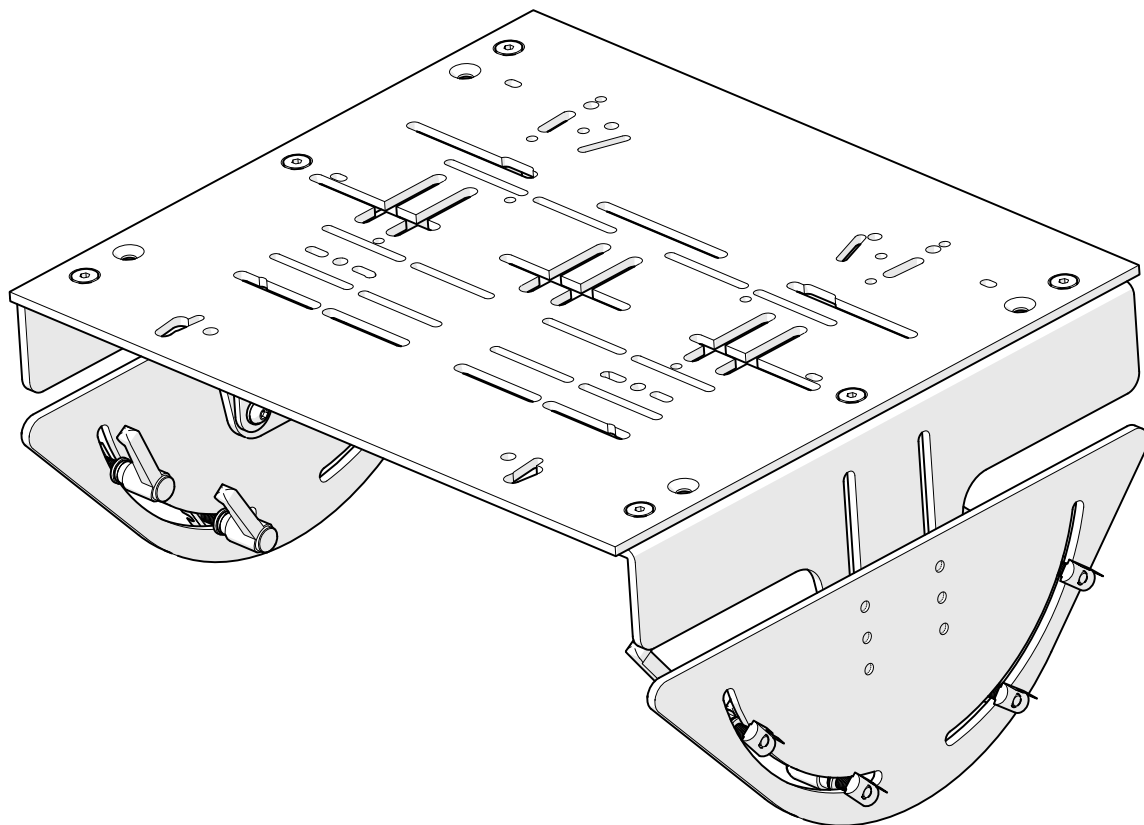


NL-M8 x4

Note: Hardware supplied with Seat Slider



Pedal Option 1



NOTE: Hardware to attach pedals to plate not included. Please use hardware included with your pedal set.

Part #	Description	QTY	Check
BOX #: TR160-PEDALUP3			
SB-M8-16	Screw (Button), M4x16	12	
SL-M8-20	Screw (Handle) M8x20	8	
SF-M8-25	Screw (Flat), M8x25	6	
NS-M8	T-Nut (Spring), M8	8	
NF-M8	Nut (Flange), M8	6	
WF-M8	Washer (Flat), M8	20	
WL-M8	Washer (Lock), M8	8	
WP-M8	Wash (Pedal Plate), M8	4	
PP-80-TP	Pedal Plate, TR80 Top Plate	1	
PP-160-SM	Pedal Plate, TR160 Side Mount	2	
PP-160-FM	Pedal Plate, TR160 Face Mount	2	

* NOTE: Extra hardware may be included as spare parts

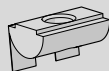
TR160-PEDALUP3



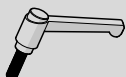
TRAK RACER

Published 2023-08-23

1



NS-M8 x8



SL-M8-20 x8



WL-M8 x8

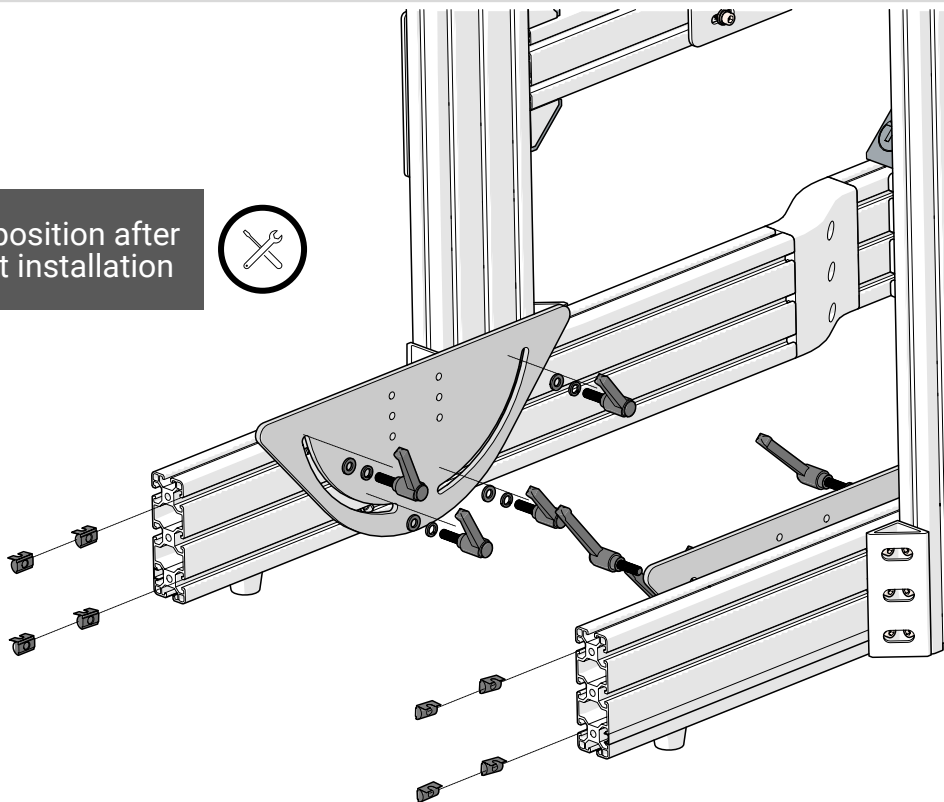


WF-M8 x8

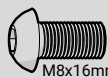


PP-160-SM x2

NOTE: Adjust position after pedal and seat installation



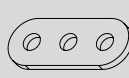
2



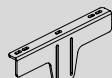
SB-M8-16 x12



WF-M8 x12

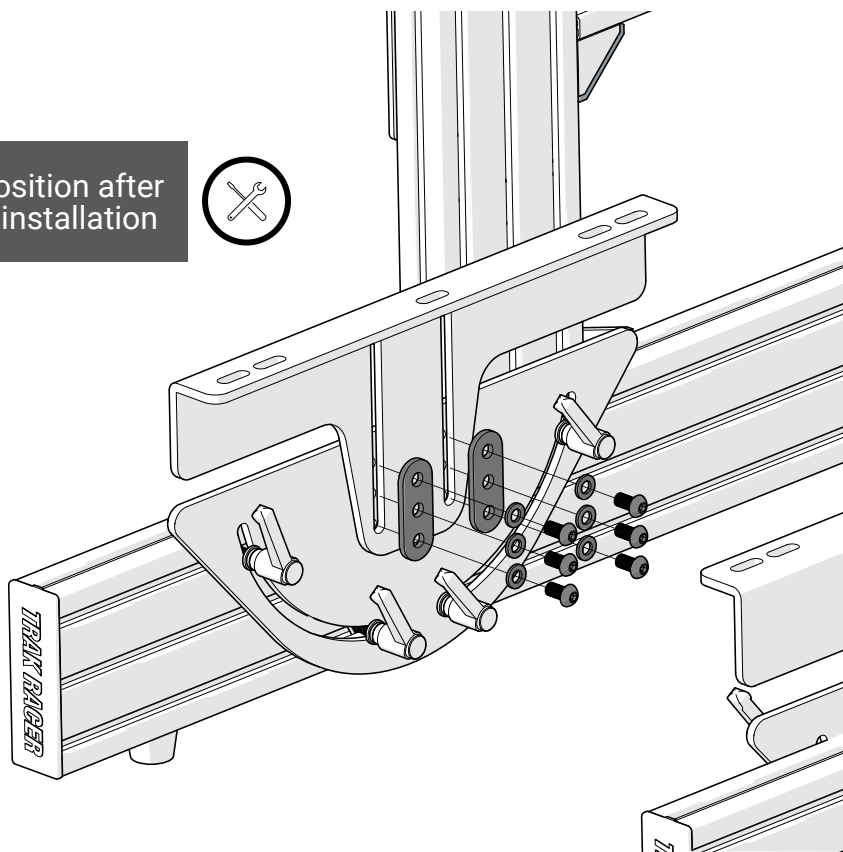


WP-M8 x4

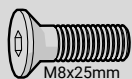


PP-160-FM x2

NOTE: Adjust position after pedal and seat installation



3



M8x25mm

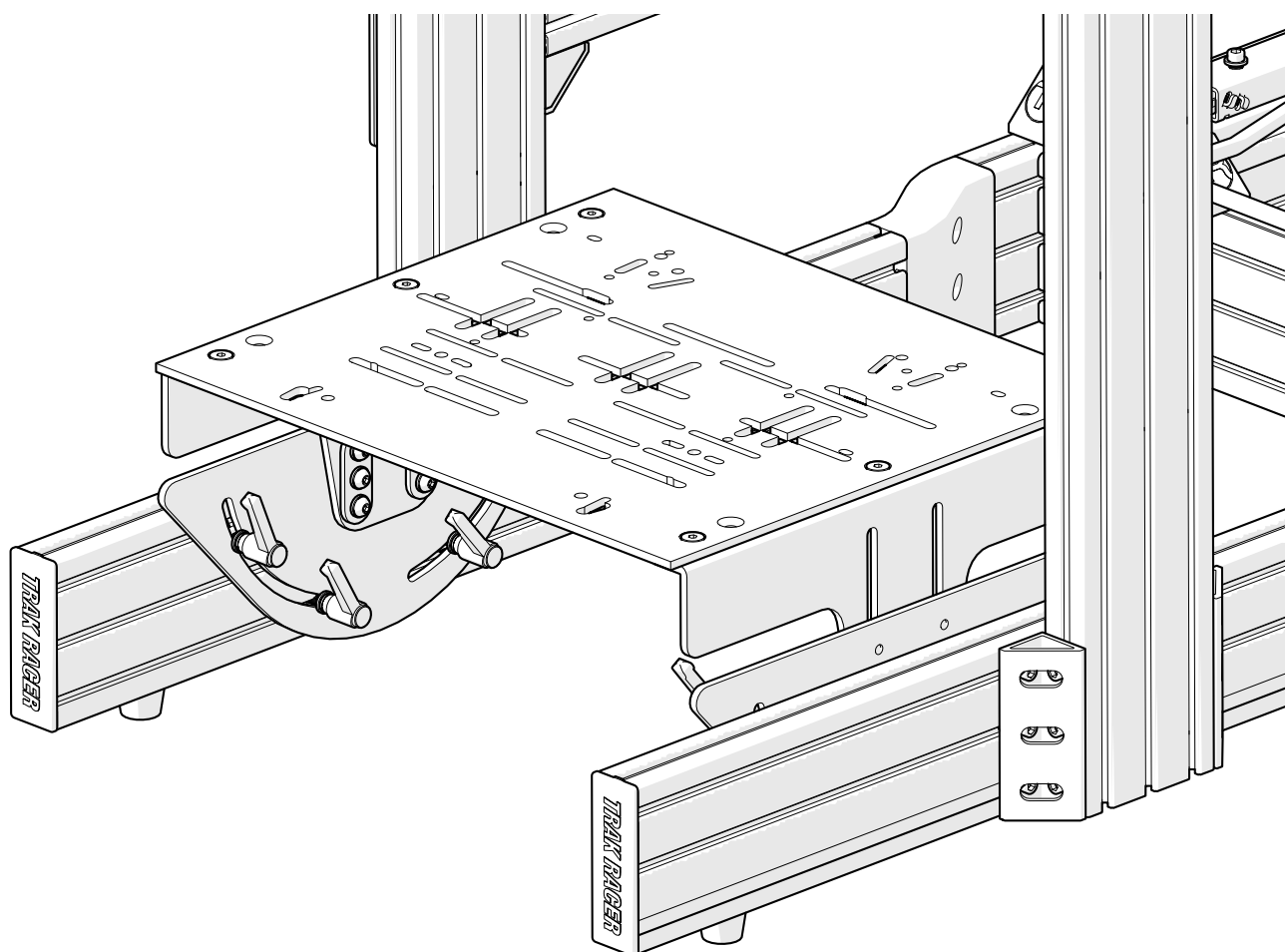
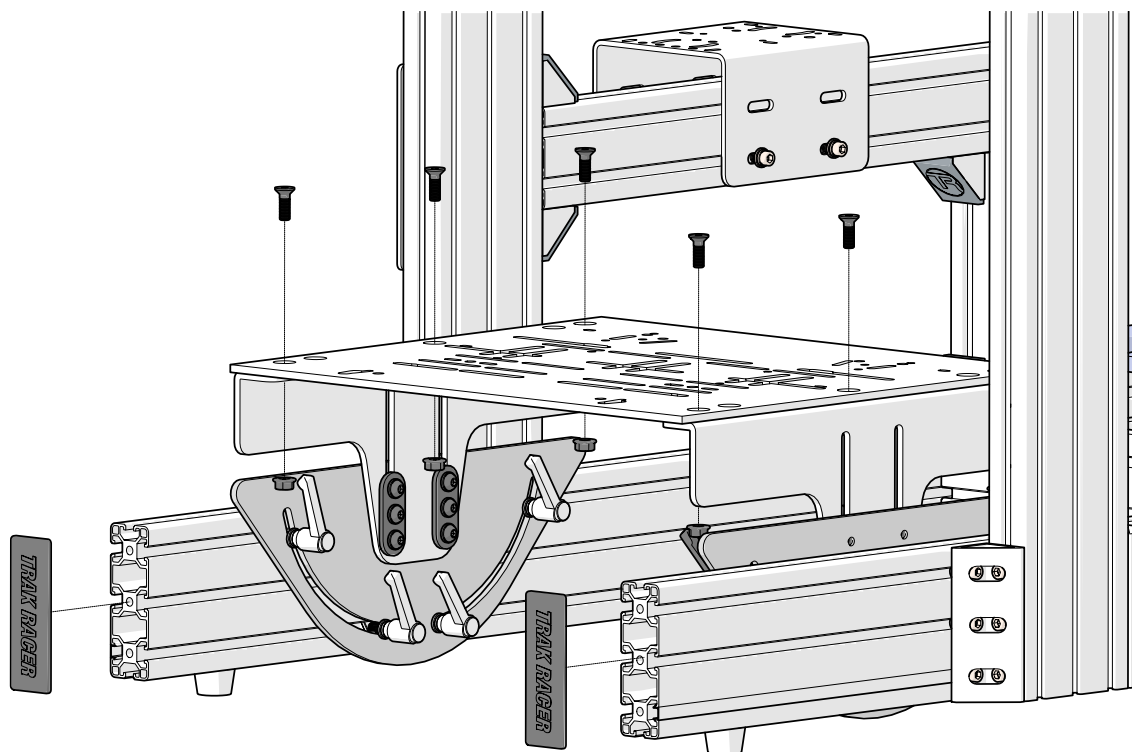
SF-M8-25 x6



NF-M8 x6

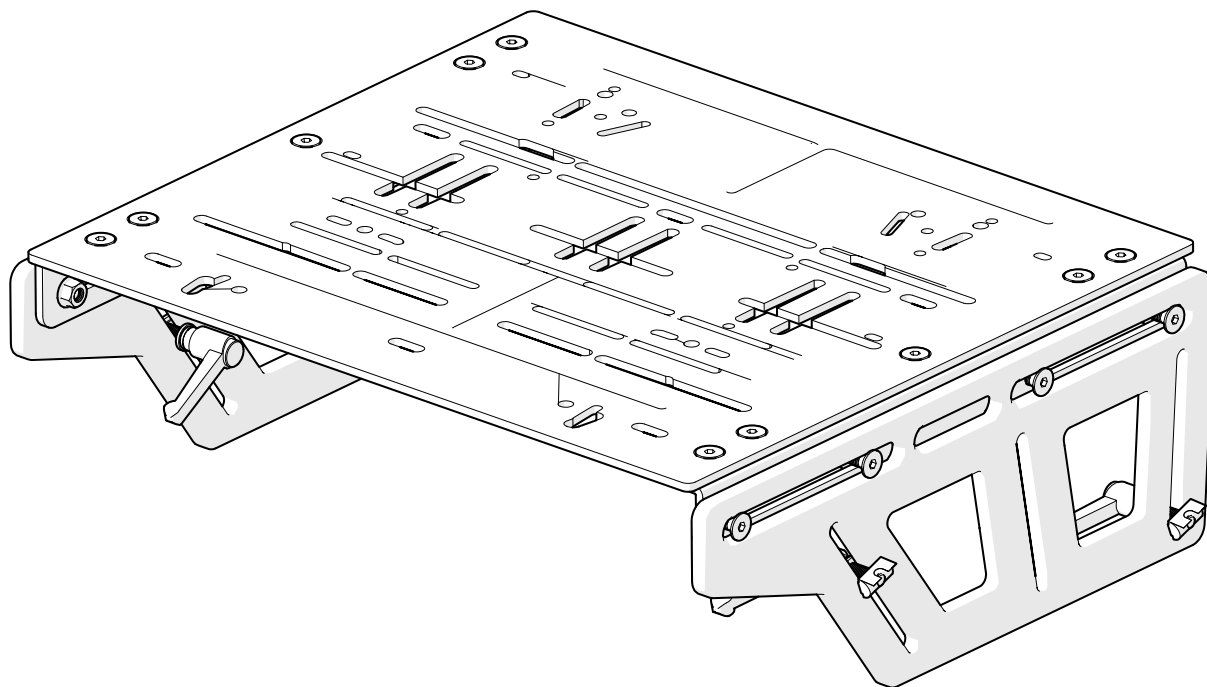


PP-80-TP x1



Pedal Option 2

TR80-PBPL



NOTE: Hardware to attach pedals to plate not included. Please use hardware included with your pedal set.

Part #	Description	QTY	Check
BOX #: TR80-NEWPB			
SF-M8-20	Screw (Flat), M8x20	8	
SL-M8-25	Screw (Handle) M8x25	4	
WF-M8	Washer (Flat), M8	4	
WL-M8	Washer (Lock), M8	4	
NS-M8	T-Nut (Spring), M8	4	
PP-NP-PB	New Pedal Plate, Pedal Bracket	2	
BOX #: TR80-NEWPLATE			
PP-80-TP	Pedal Plate, TR80 Top Plate	1	
PP-NP-LB	Pedal Plate, L Bracket	2	
SF-M8-20	Screw (Flat), M8x20	10	
NF-M8	Nut (Flange), M8	18	

* NOTE: Extra hardware may be included as spare parts

TR80-NEWPB + TR80-NEWPLATE

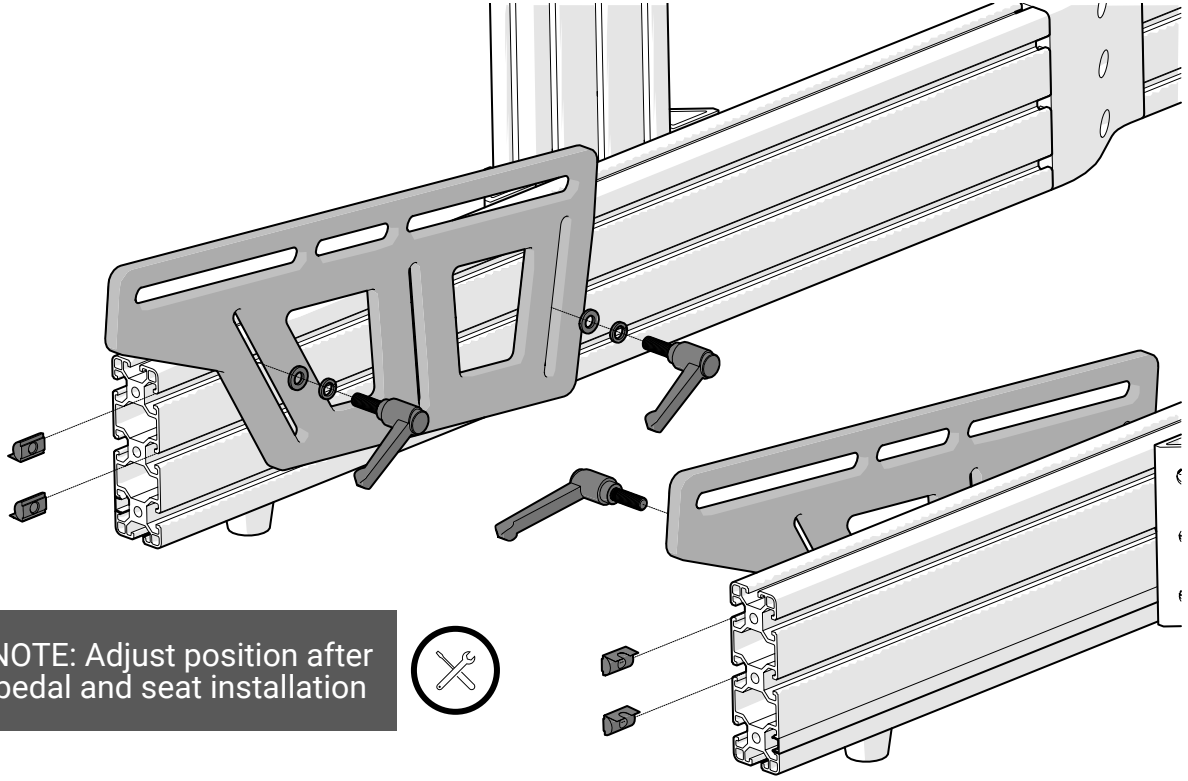


TRAK RACER

Published 2023-08-23

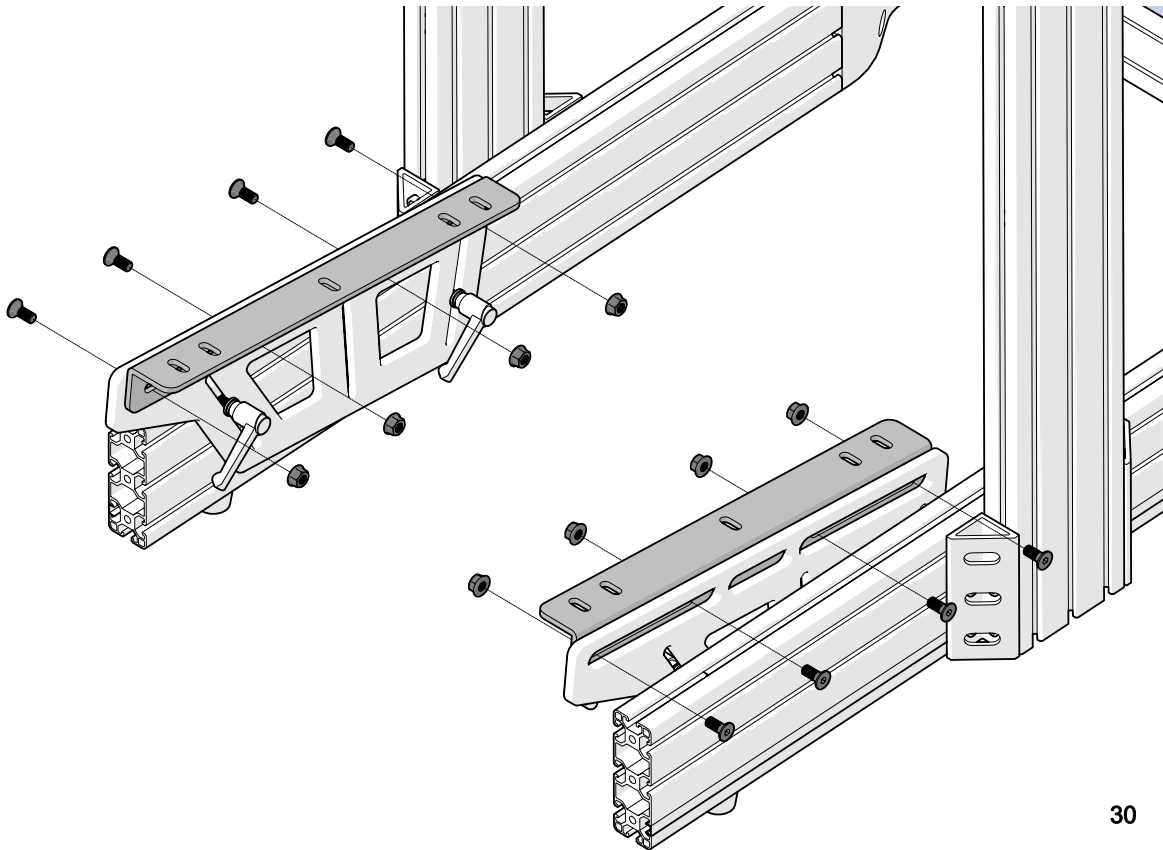
1

-  NS-M8 x4
-  SL-M8-20 x4
-  WF-M8 x4
-  WL-M8 x4
-  PP-NP-PB x2

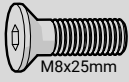


2

-  SF-M8-20 x8
-  NF-M8 x8
-  PP-NP-LB x2



3



M8x25mm

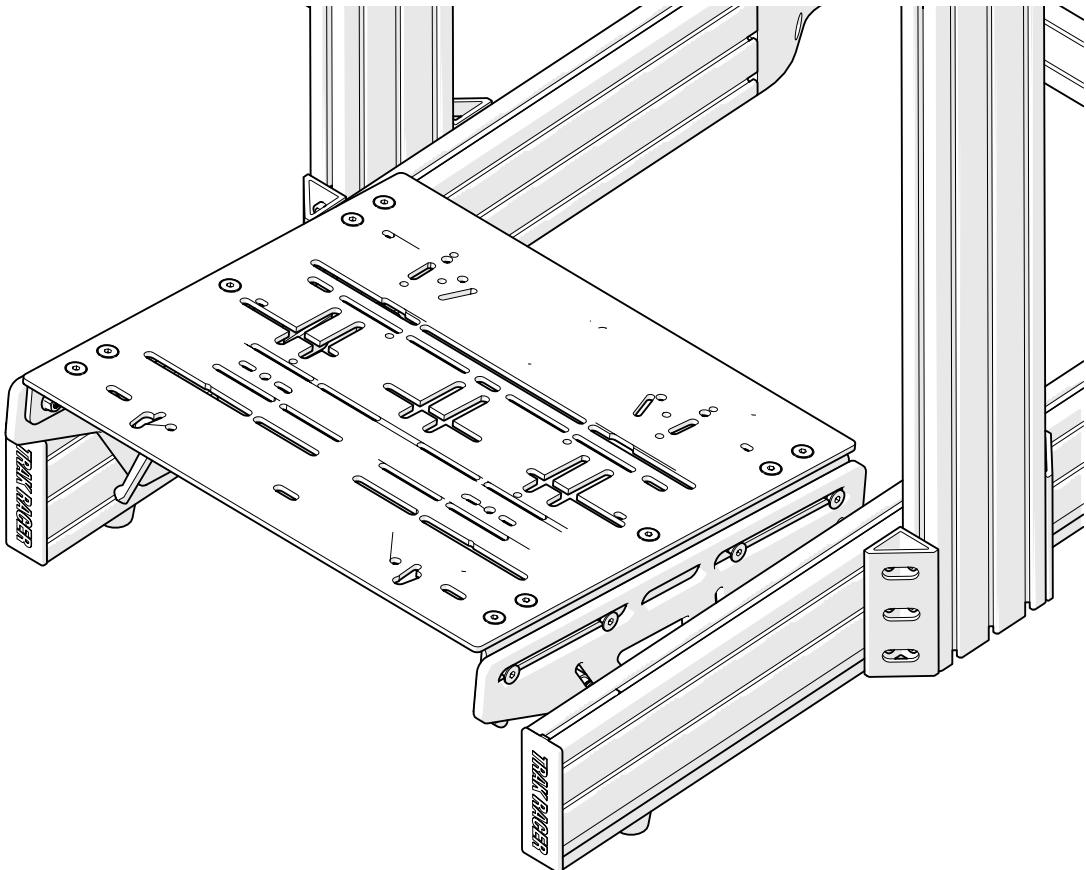
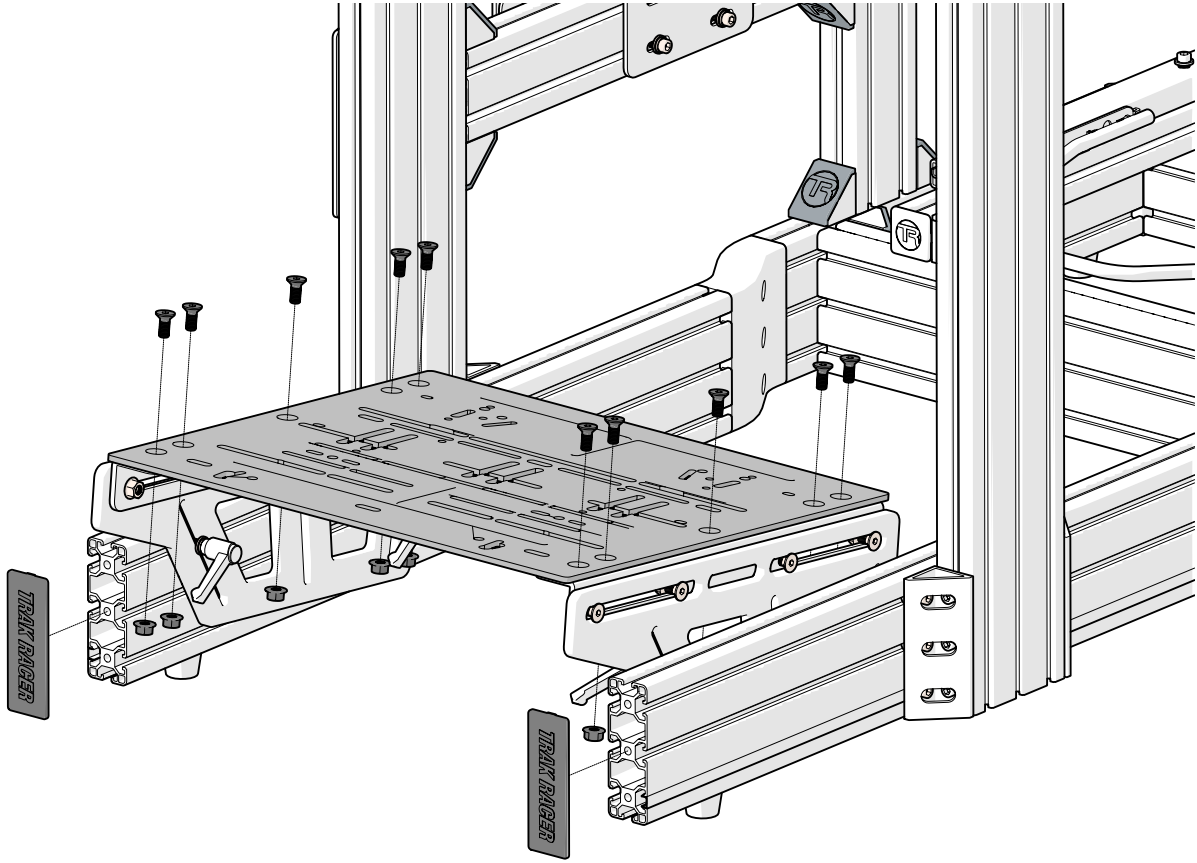
SF-M8-25 x10



NF-M8 x10

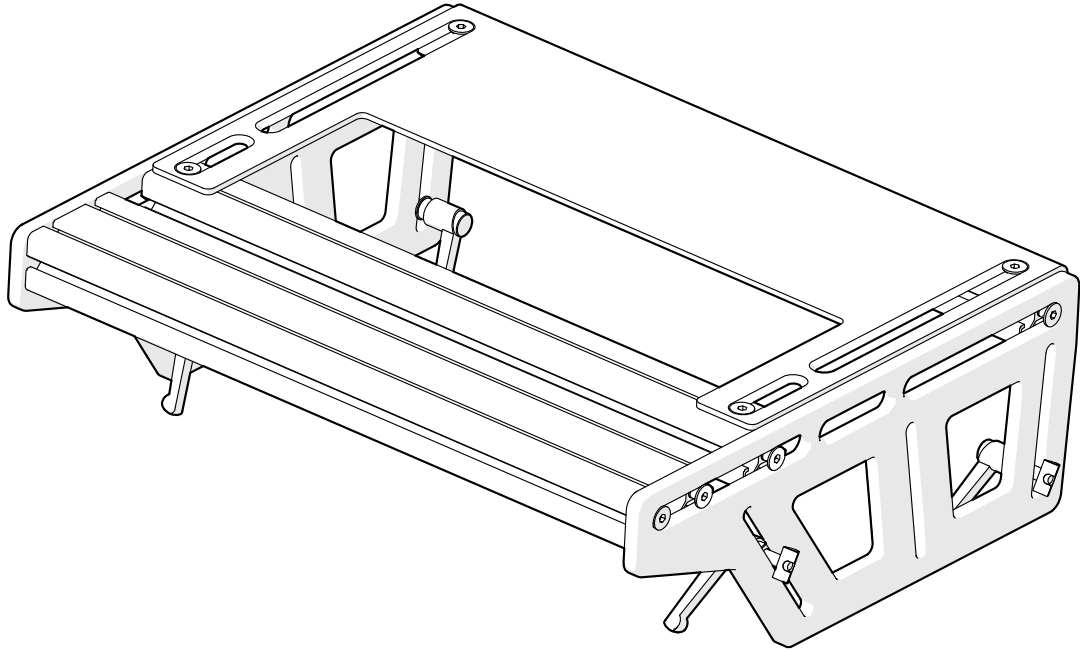


PP-80-TP x1



Pedal Option 3

TR80-PBAL



NOTE: Hardware to attach pedals to plate not included. Please use hardware included with your pedal set.

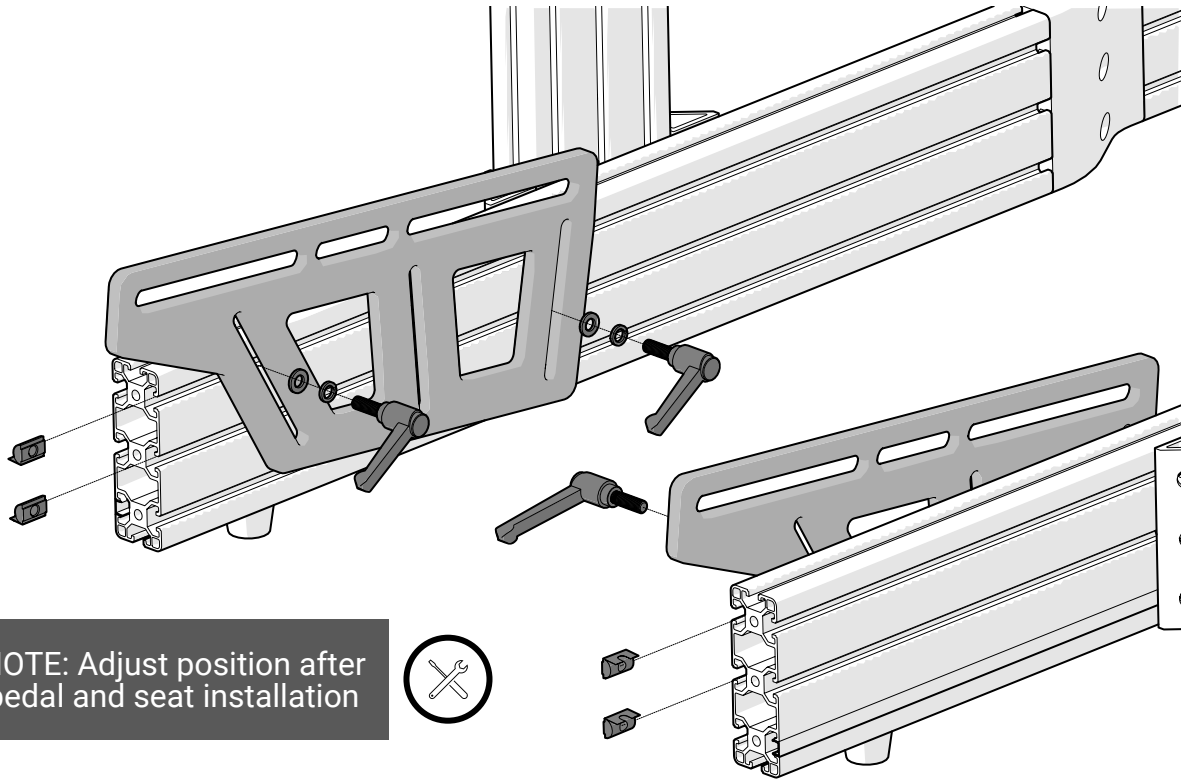
Part #	Description	QTY	Check
BOX #: TR80-NEWPB			
SF-M8-20	Screw (Flat), M8x20	8	
SL-M8-25	Screw (Handle) M8x25	4	
WF-M8	Washer (Flat), M8	4	
WL-M8	Washer (Lock), M8	4	
NS-M8	T-Nut (Spring), M8	4	
PP-NP-PB	New Pedal Plate, Pedal Bracket	2	
BOX #: TR80-NEWAL			
PP-HR-AL	Pedal Plate, Aluminum Heel Rest	1	
SF-M8-20	Screw (Flat), M8x20	8	
SF-M8-16	Screw (Flat), M8x16	8	
SH-M6-16	Screw (Hex), M6x16	12	
NS-M8	T-Nut (Spring), M8	8	
NS-M6	T-Nut (Spring), M6	12	
AT-40-480	Aluminum Profile (Threaded), 40x40x480mm	2	
AT-80-480	Aluminum Profile (Threaded), 40x80x480mm	1	
WF-M6	Washer (Flat), M6	12	
WL-M6	Washer (Lock), M6	12	

* NOTE: Extra hardware may be included as spare parts

TR80-NEWPB + TR80-NEWAL

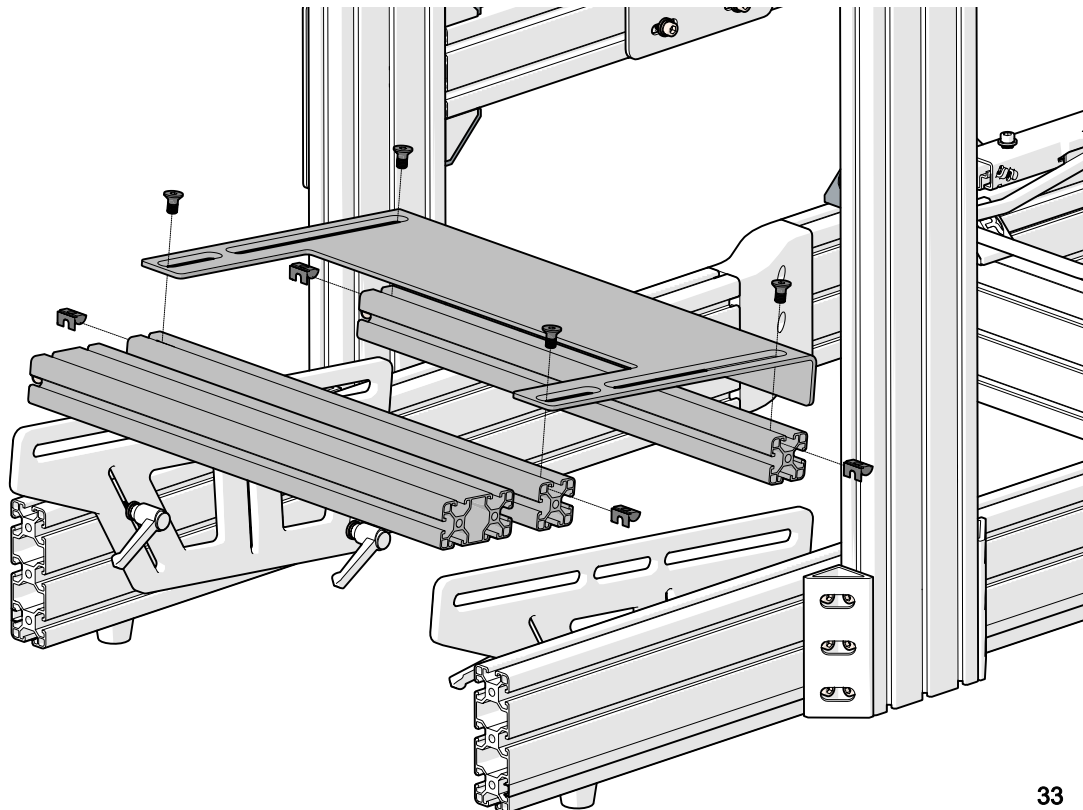
1

-  NS-M8 x4
-  SL-M8-20 x4
-  WF-M8 x4
-  WL-M8 x4
-  PP-NP-PB x2



2

-  AT-40-480 x2
-  AT-80-480 x1
-  NS-M8 x4
-  SF-M8-16 x4
-  PP-HR-AL x1

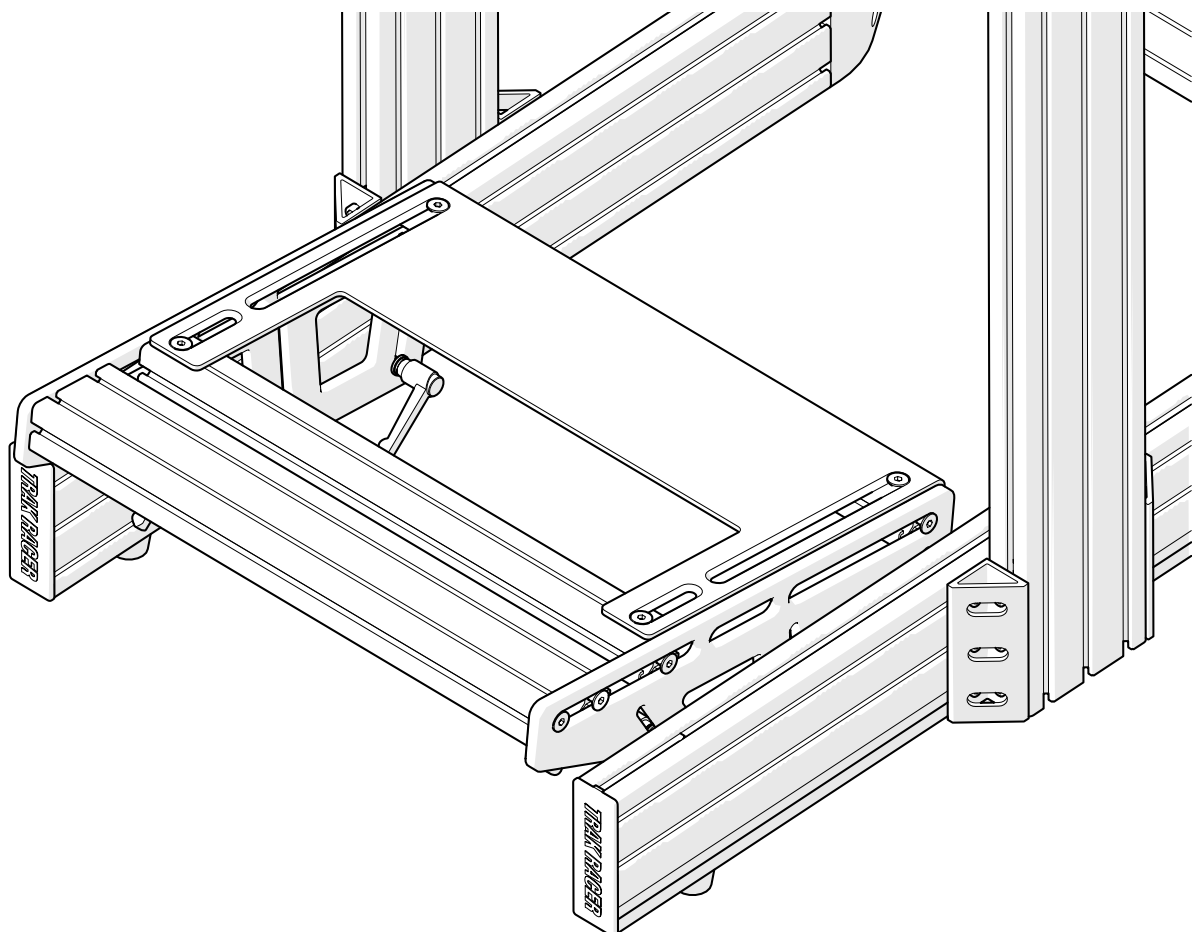
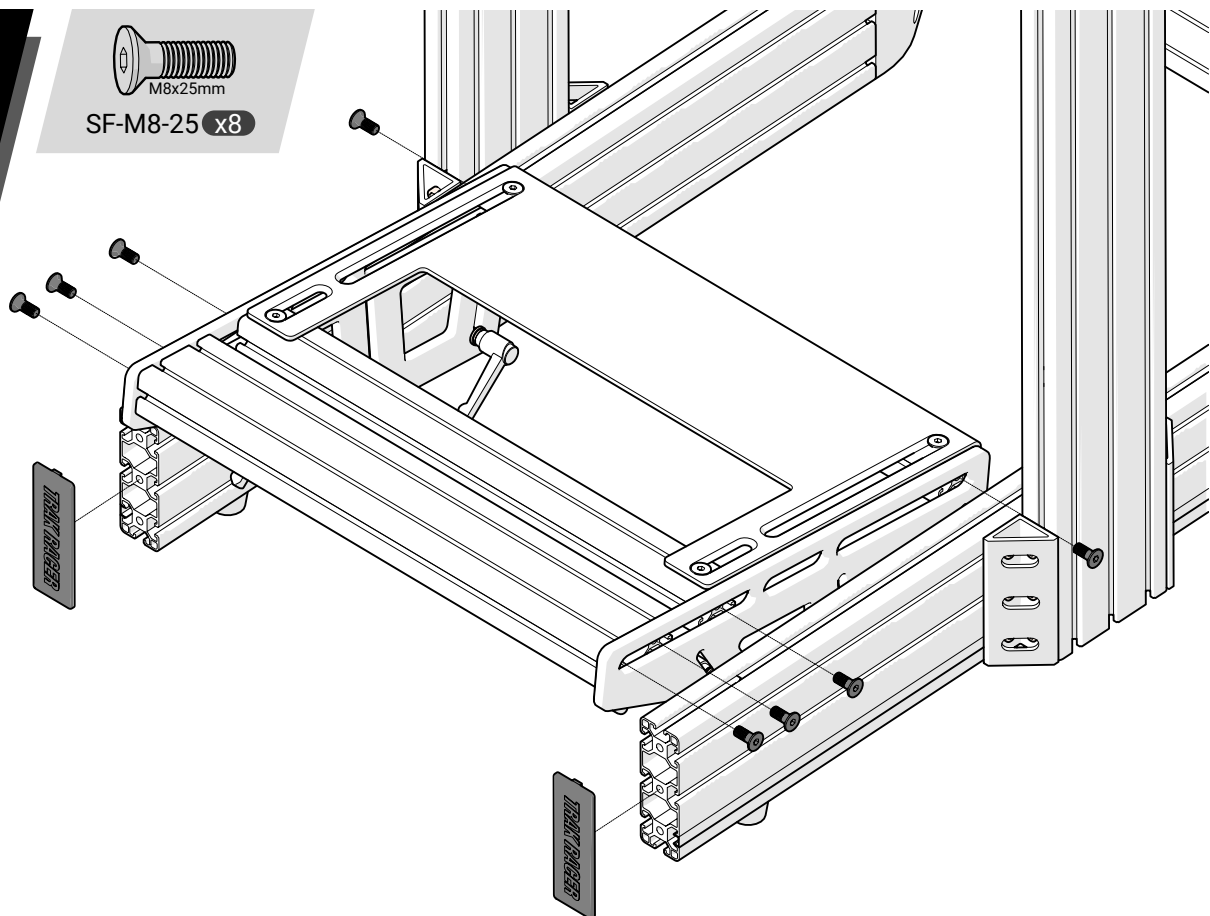


3



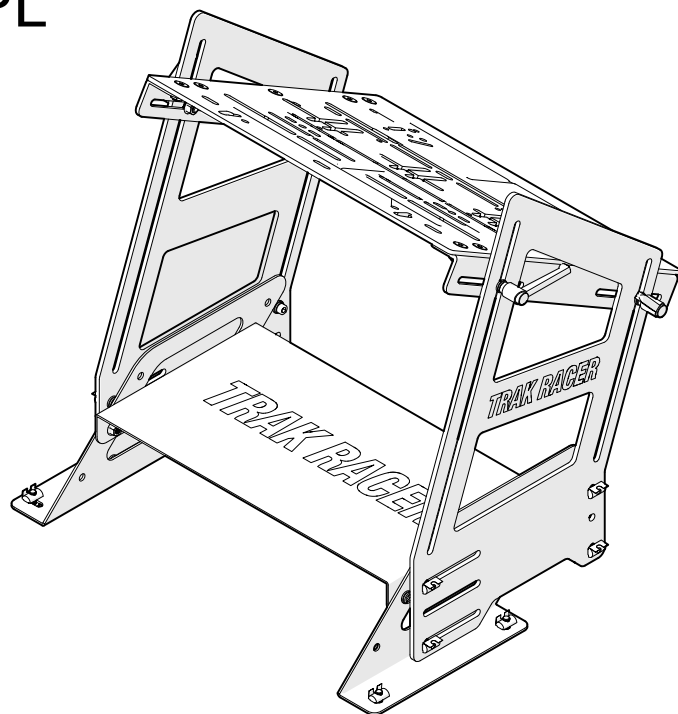
M8x25mm

SF-M8-25 x8



Pedal Option 4

TR80-HYPL



NOTE: Hardware to attach pedals to plate not included. Please use hardware included with your pedal set.

Part #	Description	QTY	Check
BOX #: TR80-INVPED3			
SH-M8-20	Screw (Hex), M8x20	16	
SL-M8-25	Screw (Handle) M8x25	4	
WF-M8	Washer (Flat), M8	16	
WL-M8	Washer (Lock), M8	16	
NF-M8	Nut (Flange), M8	8	
NS-M8	T-Nut (Spring), M8	12	
PP-IN-BR	Pedal Plate, Inverted, Brackets	2	
PP-IN-FR	Pedal Plate, Inverted, Footrest	1	
PP-IN-SM	Pedal Plate, Inverted, Side Mounts	2	
BOX #: TR80-NEWPLATE			
PP-80-TP	Pedal Plate, TR80 Top Plate	1	
PP-NP-LB	Pedal Plate, L Bracket	2	
SH-M8-25	Screw (Hex), M8x25	4	
SF-M8-20	Screw (Flat), M8x20	10	
SH-M6-15	Screw (Hex), M6x15	4	
NF-M8	Nut (Flange), M8	14	
WF-M8	Washer (Flat), M8	4	
WL-M8	Washer (Lock), M8	4	

* NOTE: Extra hardware may be included as spare parts

TR80-INVPED3 + TR80-NEWPLATE



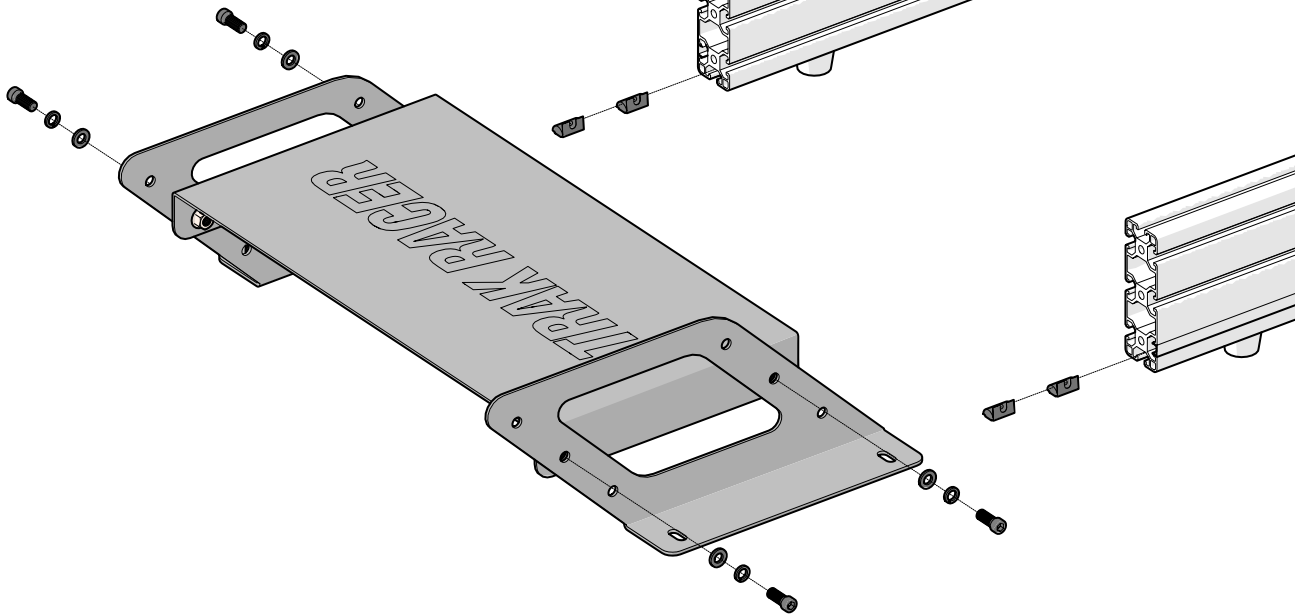
TRAK RACER

Published 2023-08-23

1

- NS-M8 x4
- NF-M8 x4
- SH-M8-20 M8x20mm x4
- WL-M8 x4
- WF-M8 x4
- PP-IN-FR x1
- PP-IN-SM x2

Take note of orientation of PP-IN-SM Brackets. They should slope towards front of the rig



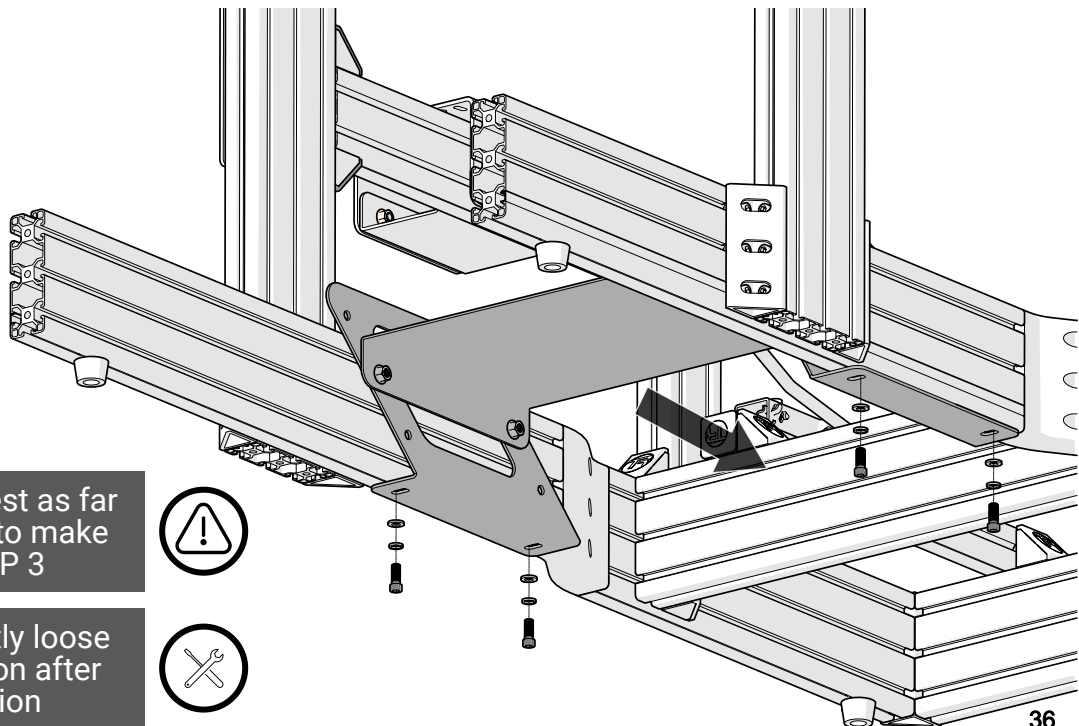
2

- SH-M8-20 M8x20mm x4
- WL-M8 x4
- WF-M8 x4

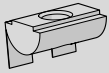
NOTE: Push footrest as far back as possible to make room for STEP 3



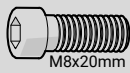
NOTE: Keep slightly loose and adjust position after seat installation



3



NS-M8 x8



SH-M8-20 x8



WL-M8 x8

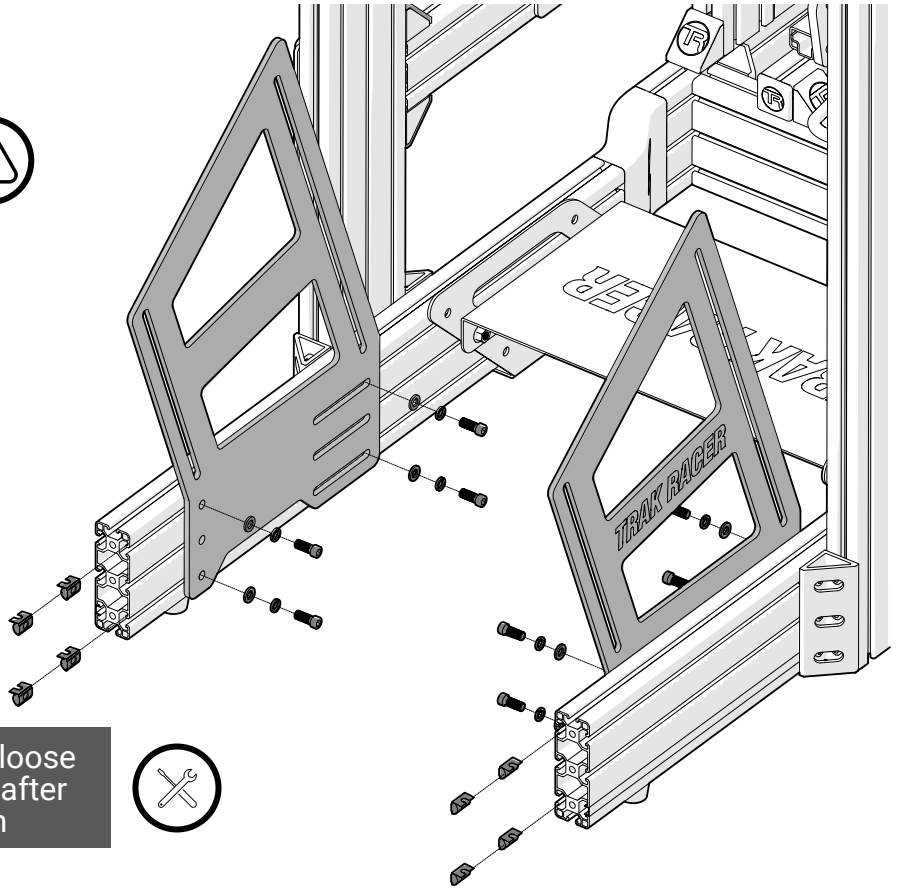


WF-M8 x8



PP-IN-BR x2

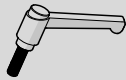
Take note of orientation of PP-IN-BR Brackets. They should slope towards front of the rig



NOTE: Keep slightly loose and adjust position after seat installation



4



SL-M8-25 x4



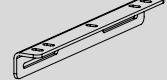
WL-M8 x4



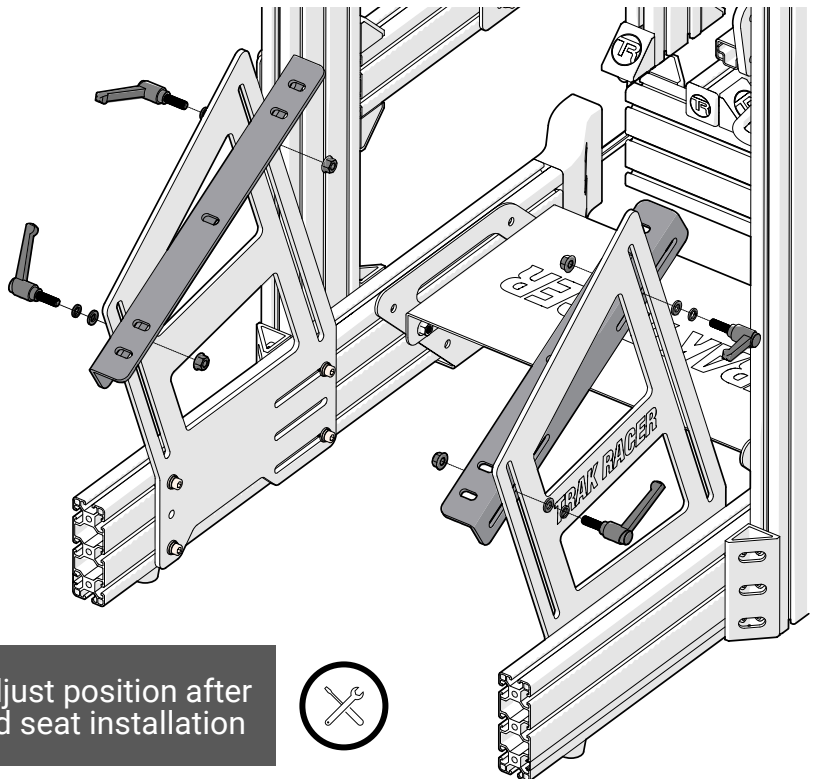
WF-M8 x4



NF-M8 x4



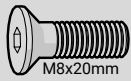
PP-NP-LB x2



NOTE: Adjust position after pedal and seat installation



5



M8x20mm

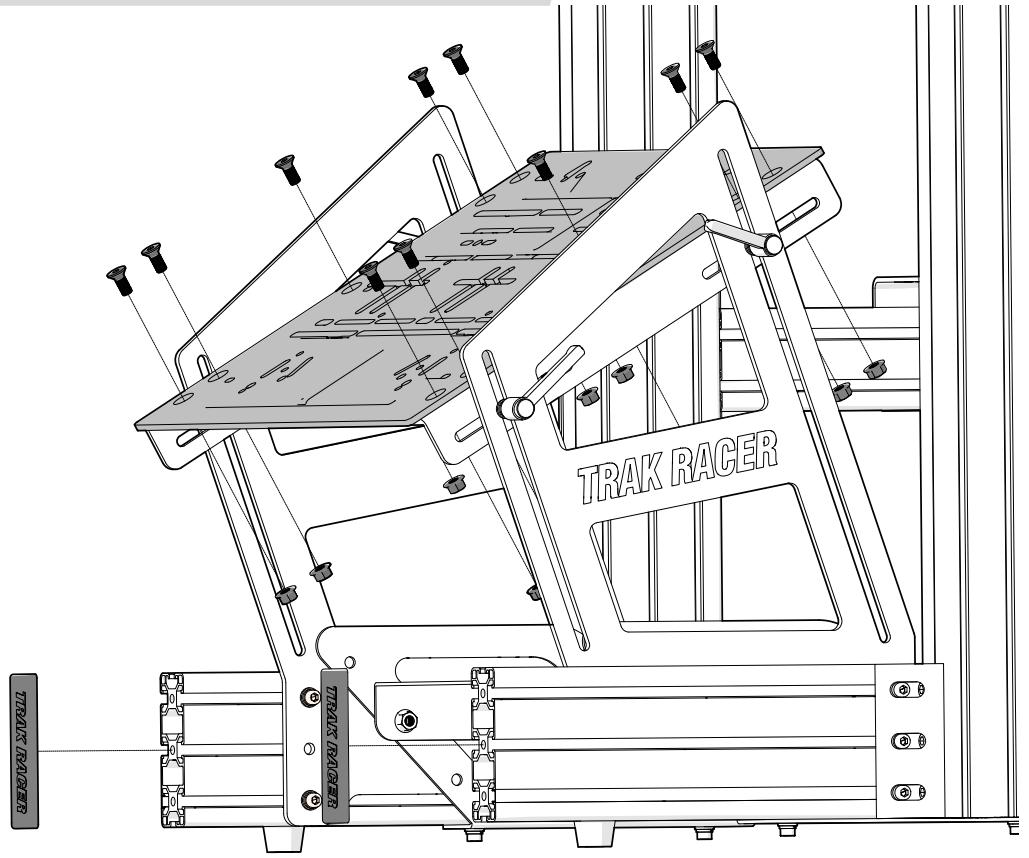
SF-M8-20 x10



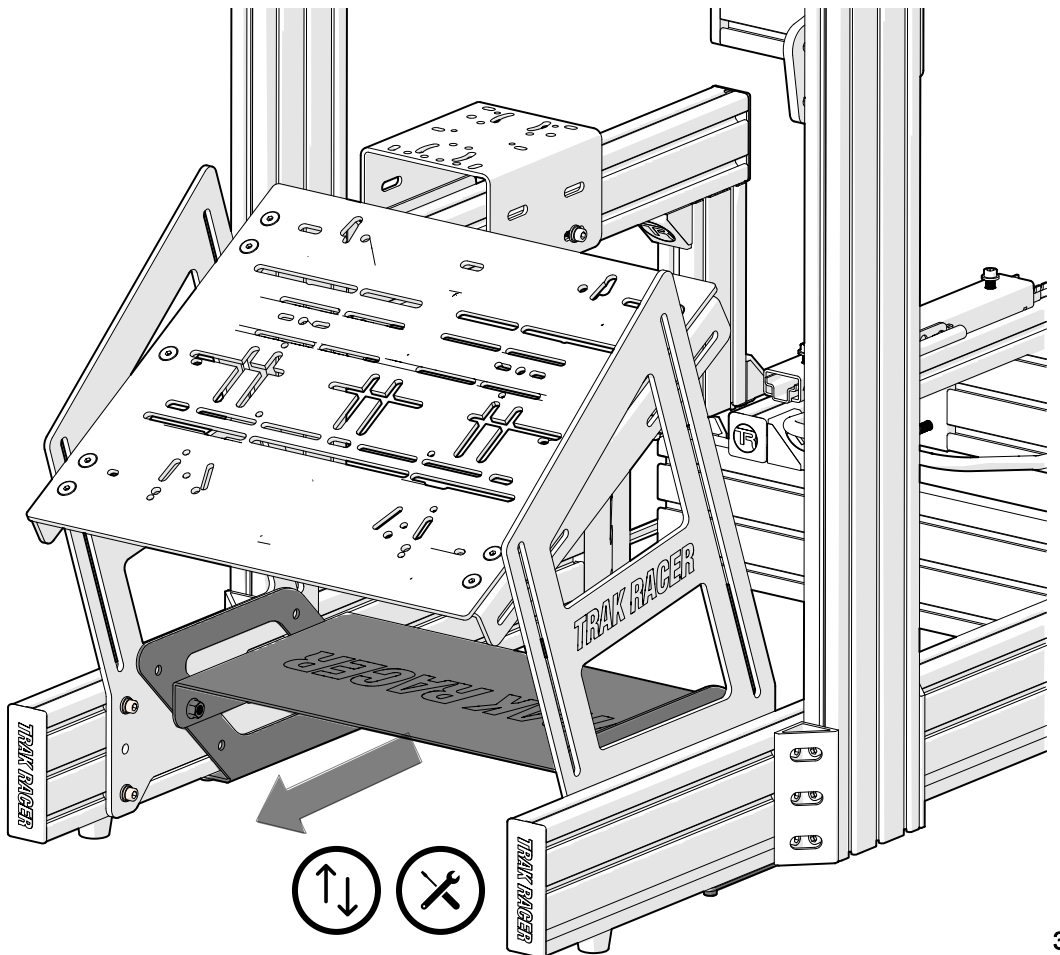
NF-M8 x10



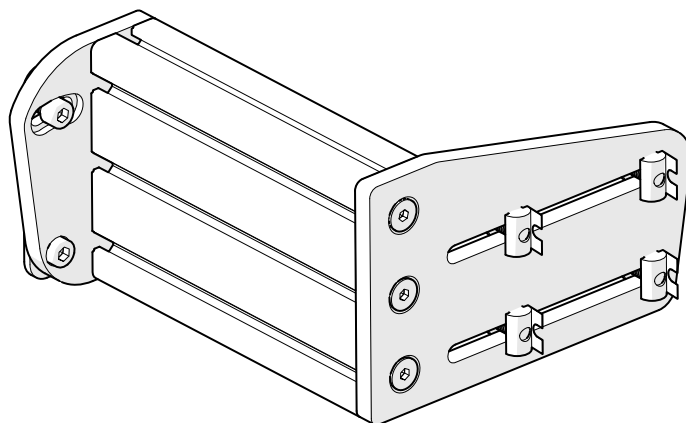
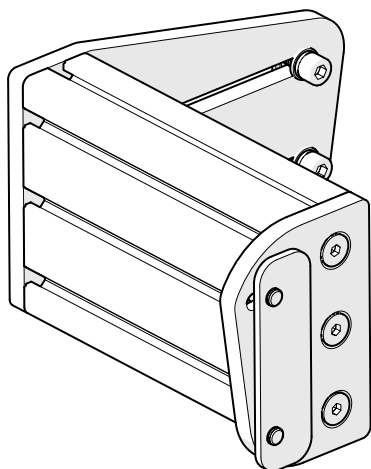
PP-80-TP x1



6



Wheel Mount Option 1



TR-One Fanatec Direct Drive Mount

Part #	Description	QTY	Check
BOX #: TR80-NWMA			
SH-M8-25	M8 x 25mm Hex Screw	12	
SF-M8-20	M8 x 20mm Flat Screw	12	
WF-M8	M8 Flat Washer	8	
WL-M8	M8 Lock Washer	8	
NS-M8	M8 Spring T-Nut	8	
WM-TR1-FN	Fanatec Podium/CSL DD Plates (5mm)	4	
WM-TR1-WP	Wheel Mounting Plates	2	
WM-TR1-PP	Side Profile Mounting Plates	2	
AT-120-180	180mm 40 x 120mm Aluminium Profile (Threaded)	2	

* **NOTE:** Extra hardware may be included as spare parts

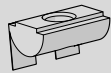
TR80-NWMA



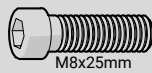
TRAK RACER

Published 2023-08-23

1



NS-M8 x8



SH-M8-25 x8



WL-M8 x8

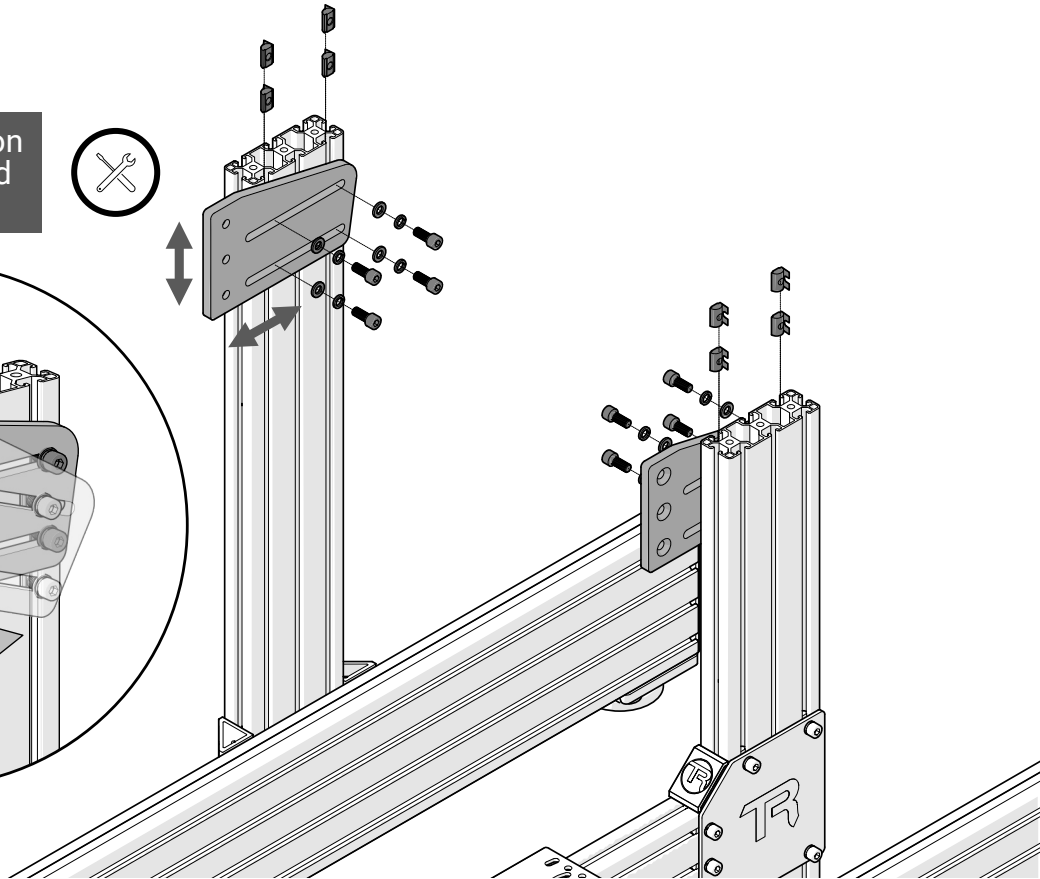
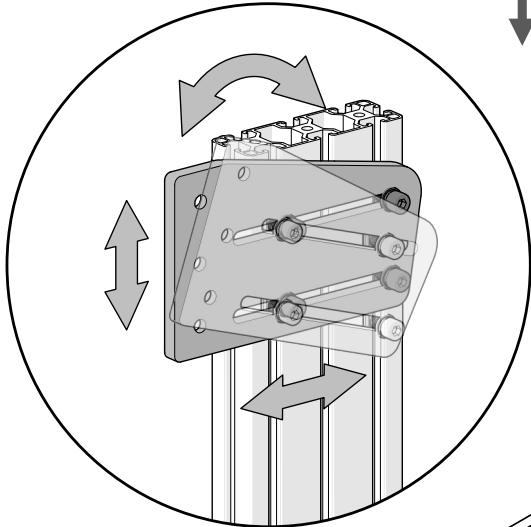


WF-M8 x8

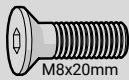


WM-TR1-PP x2

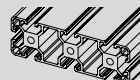
NOTE: Adjust position after wheelbase and seat installation



2



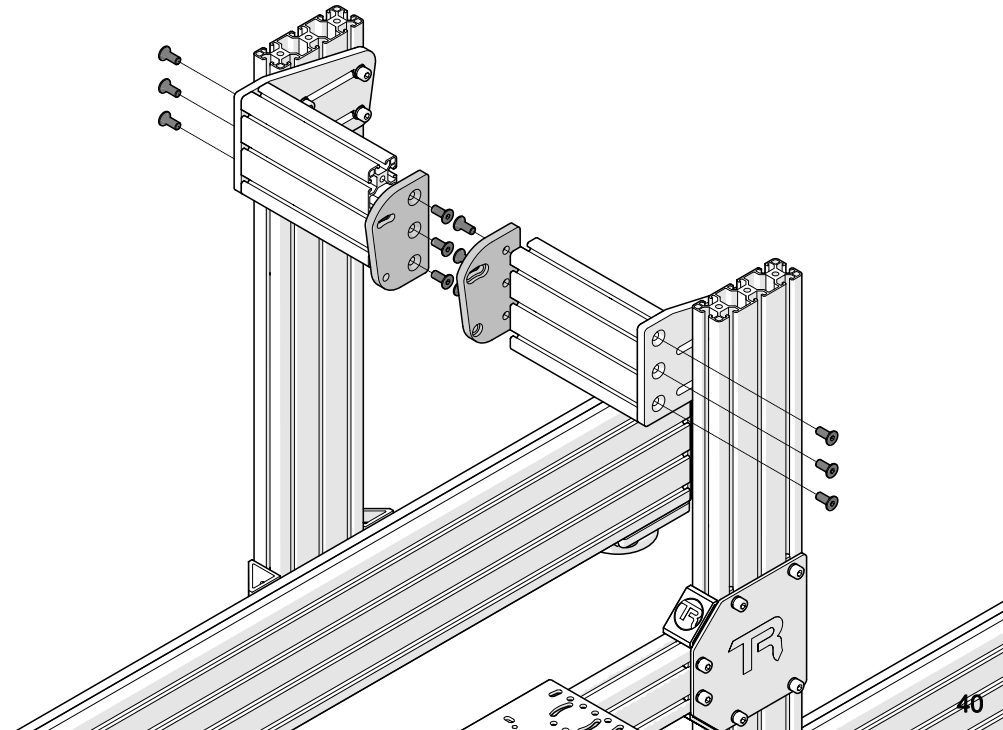
SF-M8-20 x12



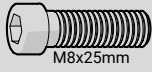
AT-120-180 x2



WMP x2

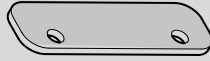


3



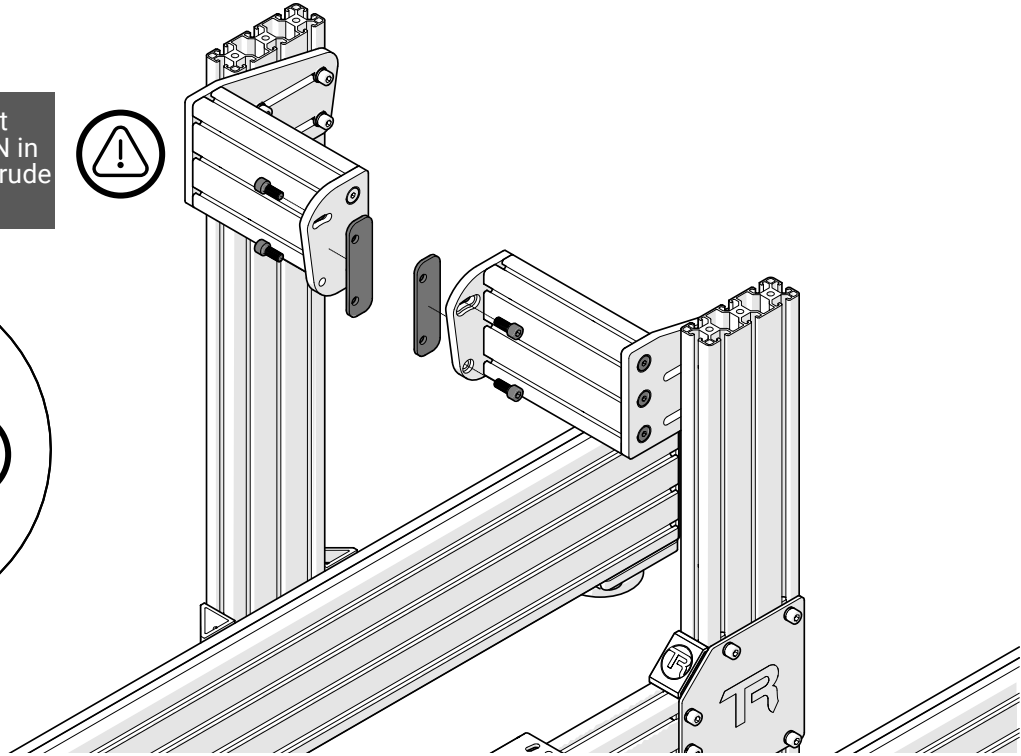
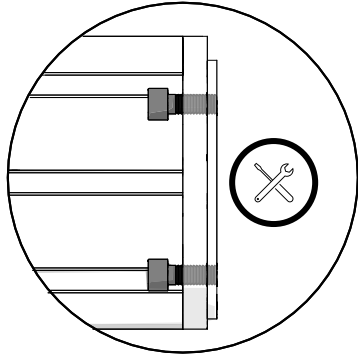
M8x25mm

SH-M8-25 x4

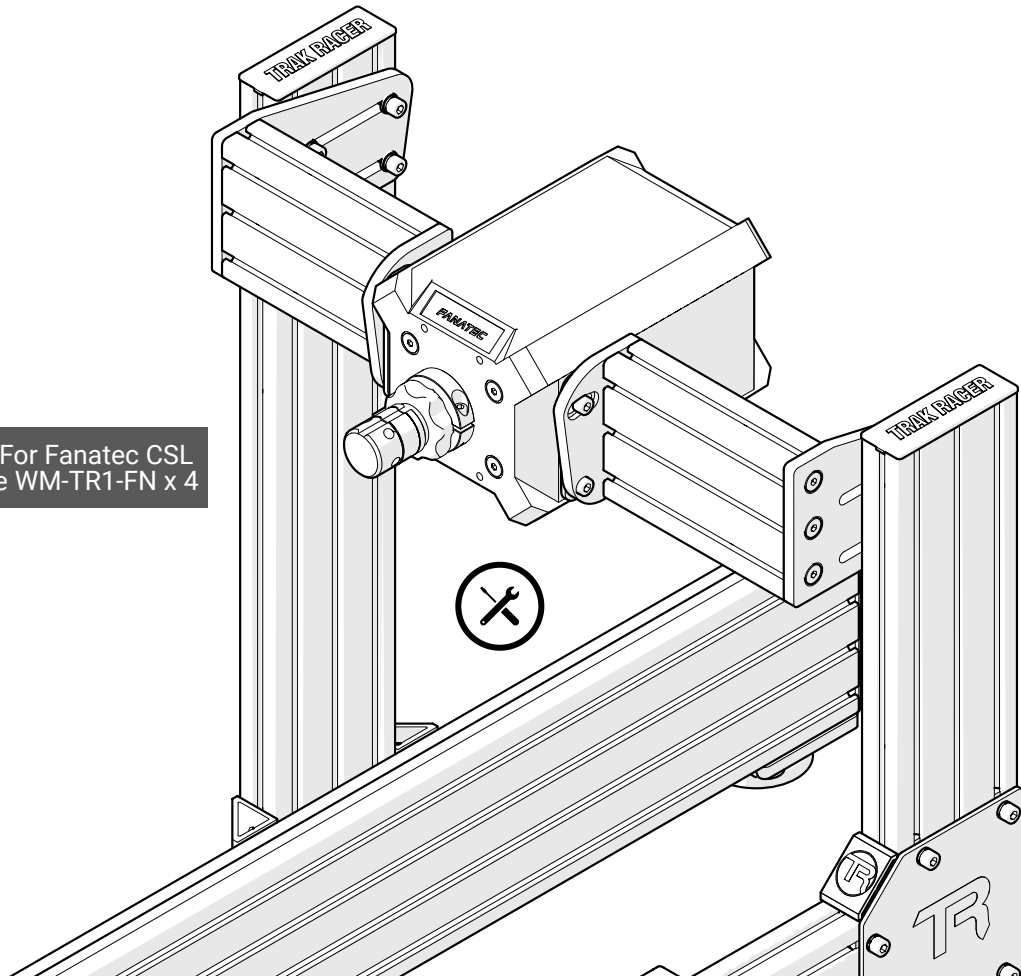


WM-TR1-FN x2

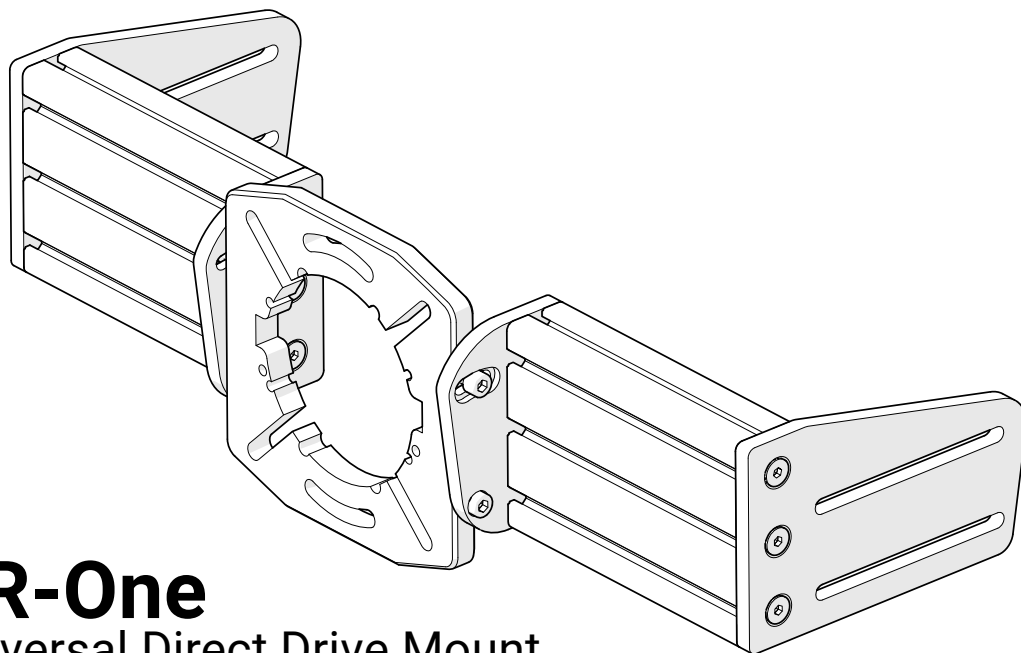
Note: Thread screws just enough to hold WM-TR1-FN in place so screws do not protrude past WM-TR1-FN plate.



Note: For Fanatec CSL DD use WM-TR1-FN x 4



Wheel Mount Option 2



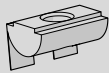
TR-One Universal Direct Drive Mount

Part #	Description	QTY	Check
BOX #: TR80-NWMA			
SH-M8-25	Screw (Hex), M8x25	12	
SF-M8-20	Screw (Flat), M8x20	12	
WF-M8	Washer (Flat), M8	8	
WL-M8	Washer (Lock), M8	8	
NS-M8	T-Nut (Spring), M8	8	
WM-TR1-FN	Wheel Mount, TR-ONE, Fanatec Plates	4	
WM-TR1-WP	Wheel Mount, TR-ONE, Wheel Plates	2	
WM-TR1-PP	Wheel Mount, TR-ONE, Profile Plates	2	
AT-120-180	Aluminum Profile (Threaded), 40x120x180mm	2	
BOX #: TR80-NWMDD			
SH-M8-20	Screw (Hex), M8x20	4	
SH-M8-25	Screw (Hex), M8x25	4	
WF-M8	Washer (Flat), M8	4	
SH-M6-20	Screw (Hex), M6x20	2	
WF-M6	Washer (Flat), M6	2	
WM-DD	Wheel Mount, Direct Drive	1	

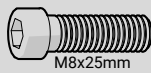
* **NOTE:** Extra hardware may be included as spare parts

TR80-NWMA + TR80-NWMDD

1



NS-M8 x8



SH-M8-25 x8
M8x25mm



WL-M8 x8

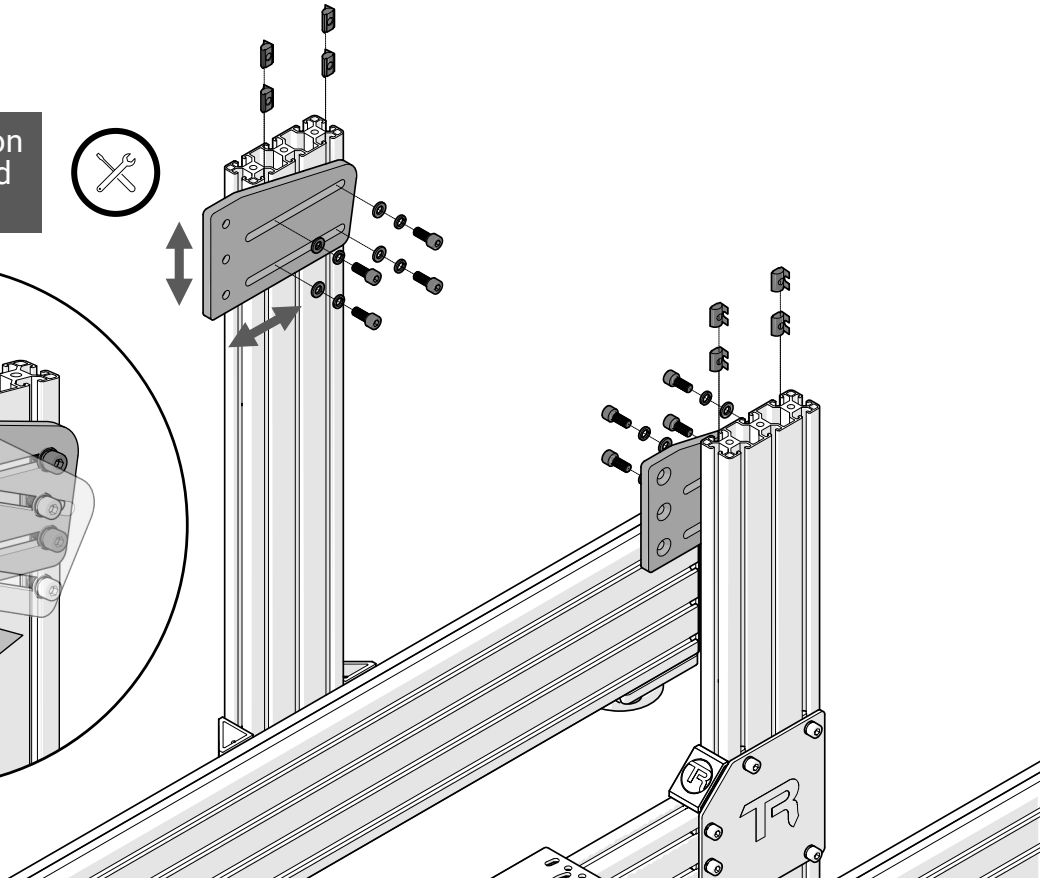
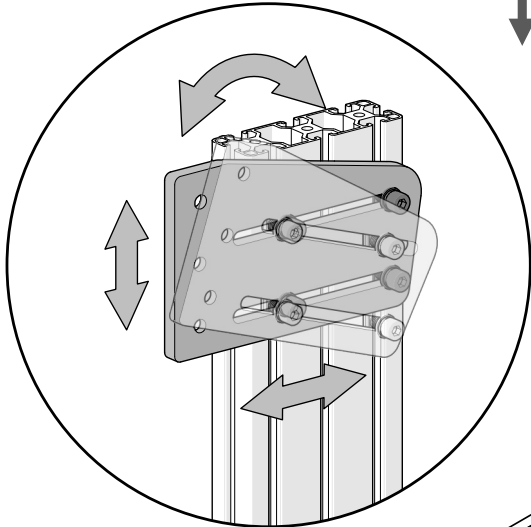


WF-M8 x8

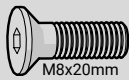


WM-TR1-PP x2

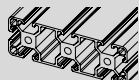
NOTE: Adjust position
after wheelbase and
seat installation



2



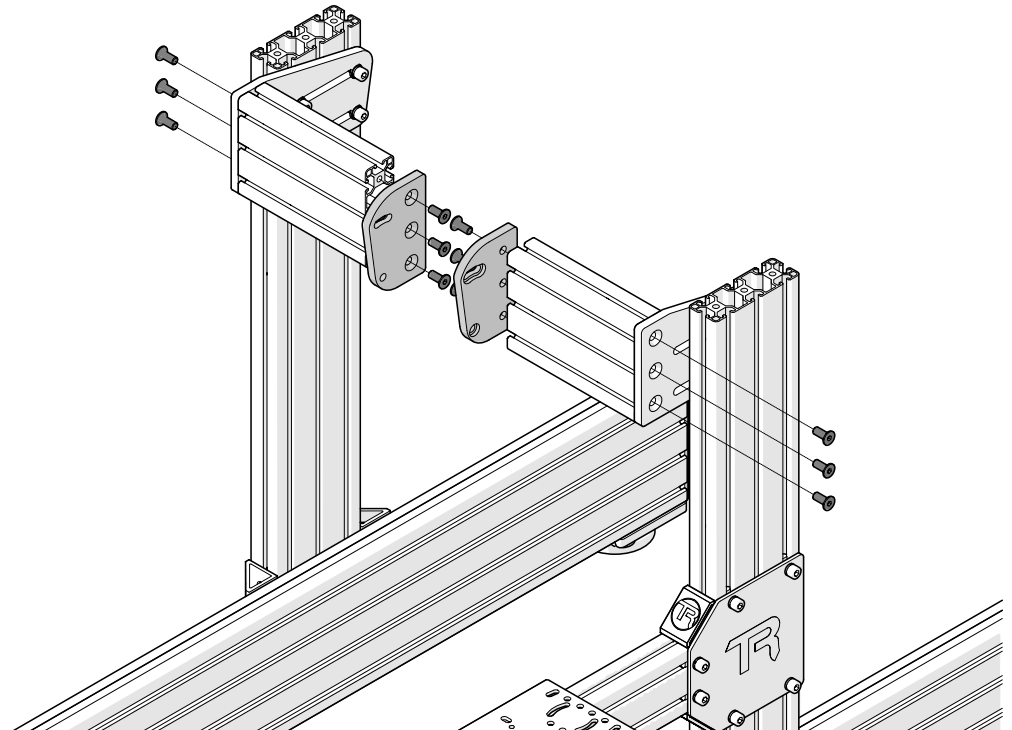
SF-M8-20 x12
M8x20mm



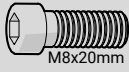
AT-120-180 x2



WM-TR1-WP x2



3

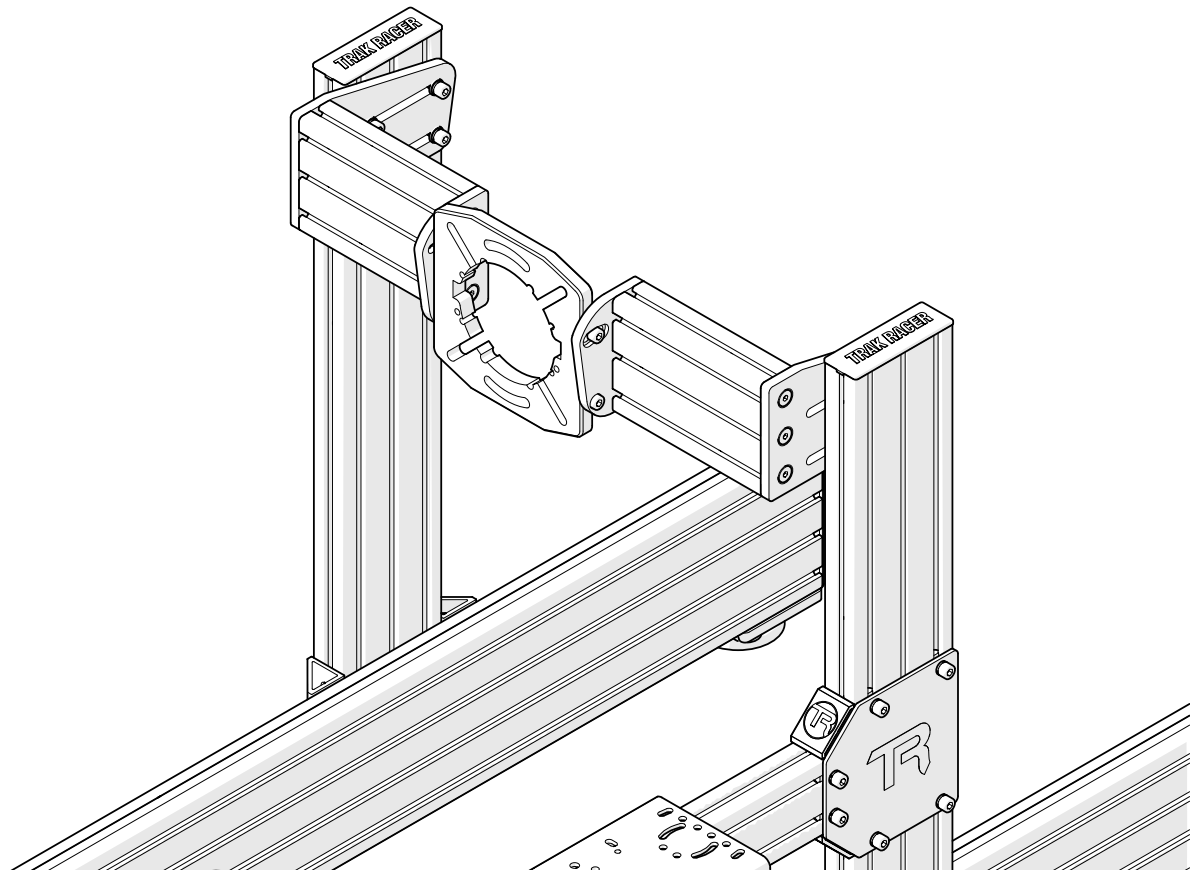
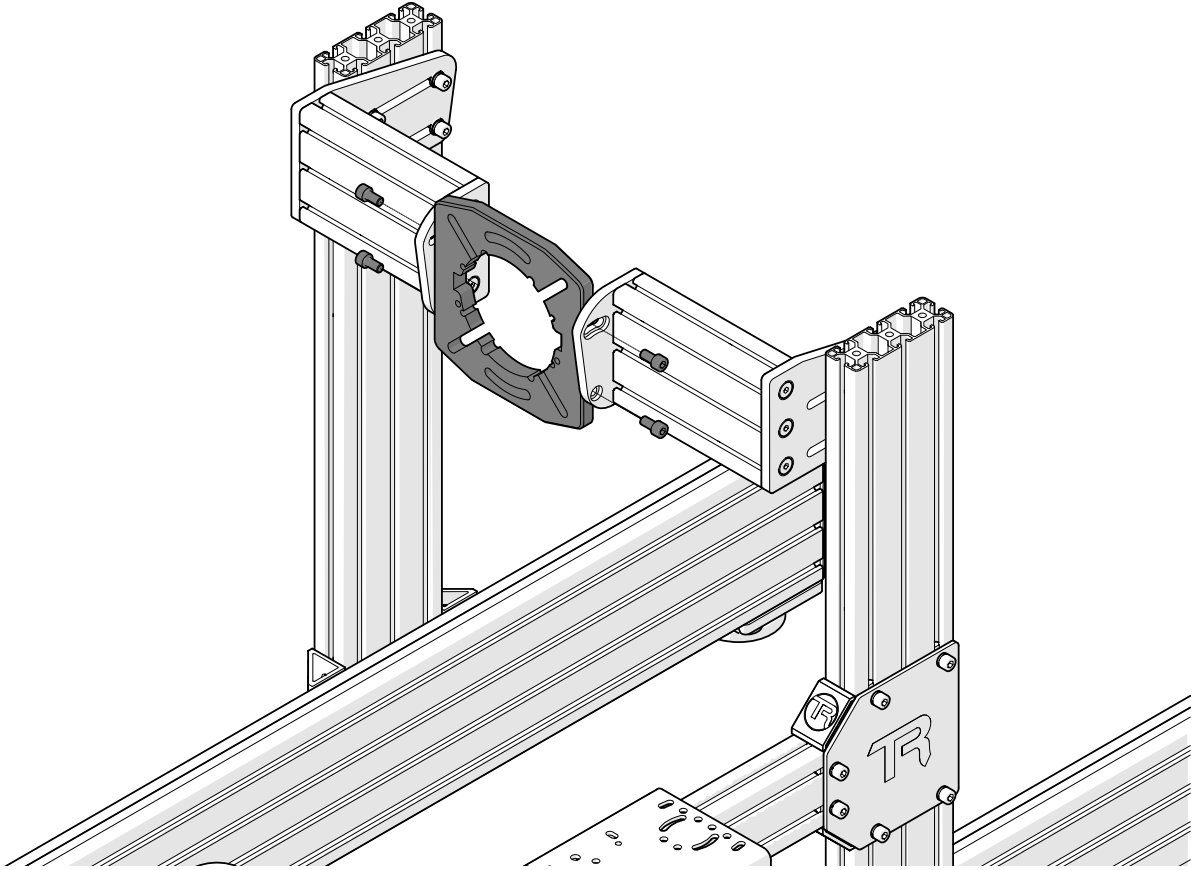


M8x20mm

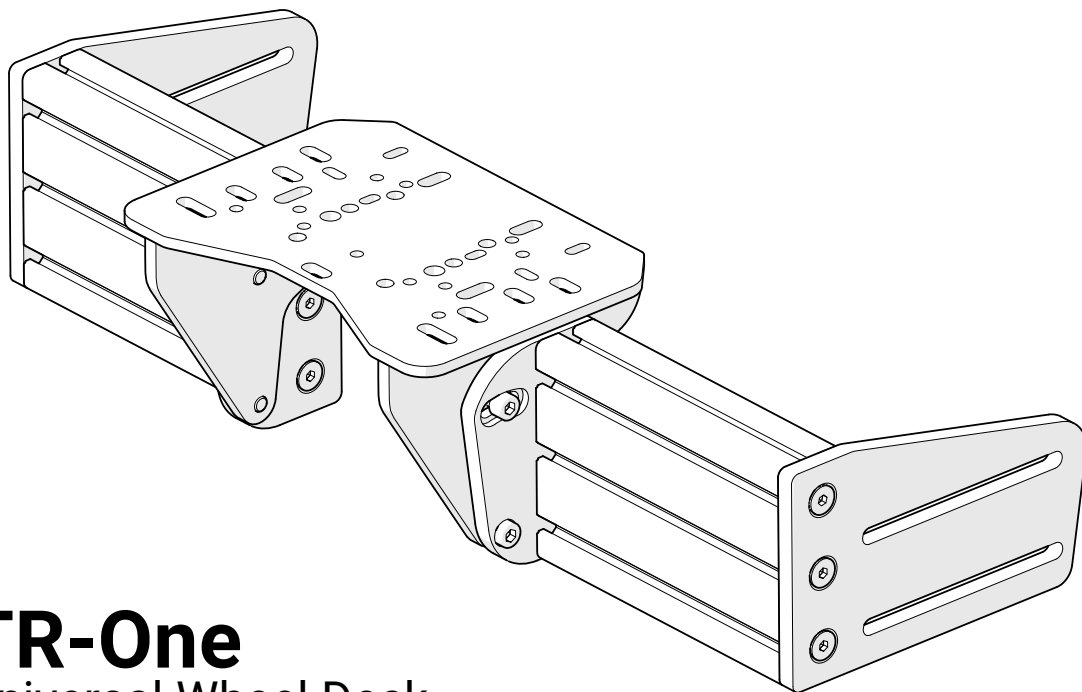
SH-M8-20 x4



WM-DD x1



Wheel Mount Option 3



TR-One Universal Wheel Deck

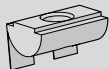
Part #	Description	QTY	Check
BOX #: TR80-NWMA			
SH-M8-25	Screw (Hex), M8x25	12	
SF-M8-20	Screw (Flat), M8x20	12	
WF-M8	Washer (Flat), M8	8	
WL-M8	Washer (Lock), M8	8	
NS-M8	T-Nut (Spring), M8	8	
WM-TR1-FN	Wheel Mount, TR-ONE, Fanatec Plates	4	
WM-TR1-WP	Wheel Mount, TR-ONE, Wheel Plates	2	
WM-TR1-PP	Wheel Mount, TR-ONE, Profile Plates	2	
AT-120-180	Aluminum Profile (Threaded), 40x120x180mm	2	
BOX #: TR80-NWM4			
SH-M8-15	Screw (Hex), M8x15	4	
SH-M6-15	Screw (Hex), M6x15	4	
WF-M6	Washer (Flat), M6	4	
**WM-WM4/5	Wheel Mount, TR80-NWM4/5 Assembly	1	

* **NOTE:** Extra hardware may be included as spare parts

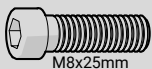
** **NOTE:** Depending on your region, you may receive WM-WM4 or WM-WM5

TR80-NWMA + TR80-NWM4/5

1



NS-M8 x8



SH-M8-25 x8



WL-M8 x8

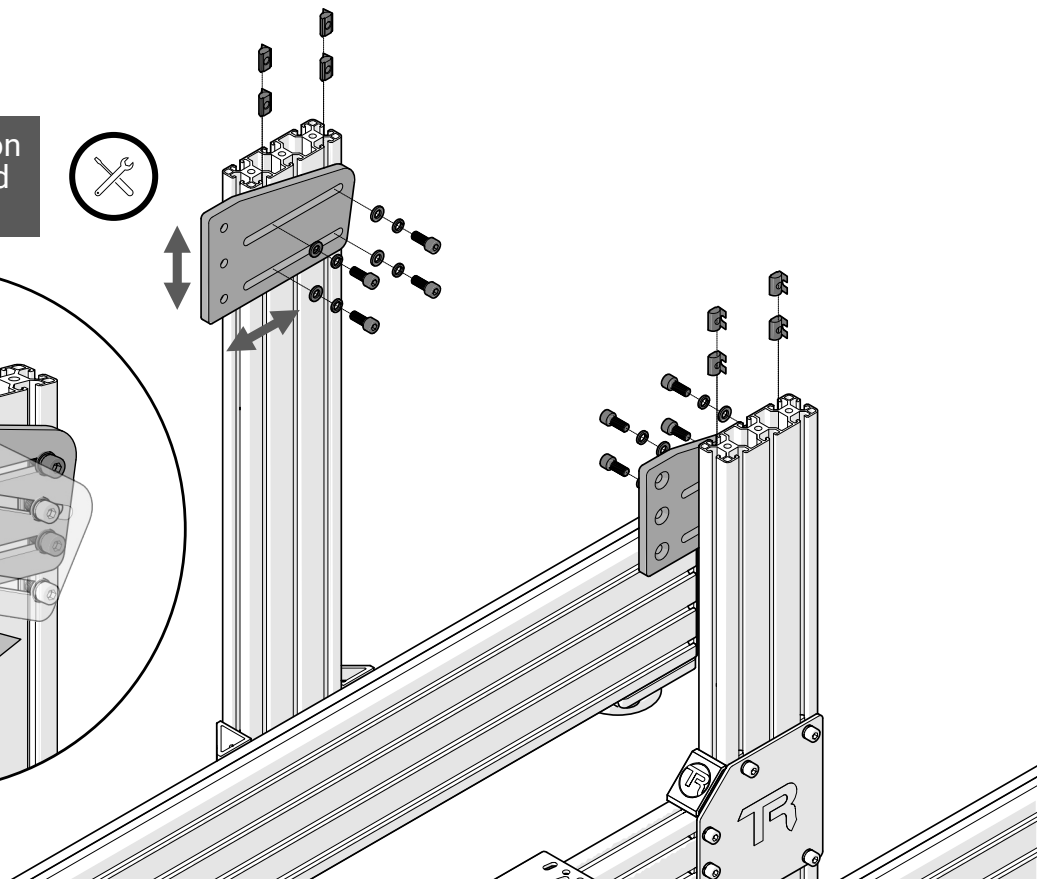
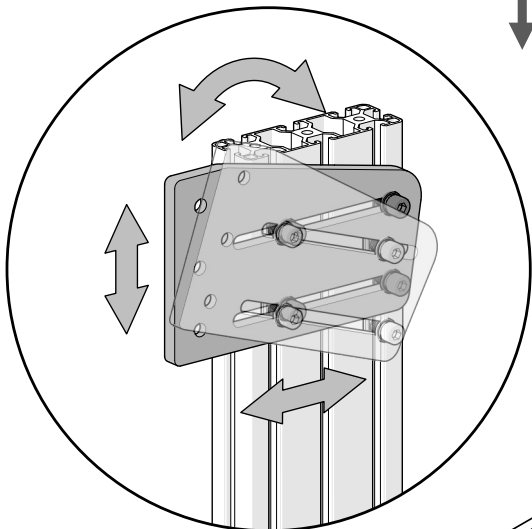


WF-M8 x8

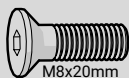


WM-TR1-PP x2

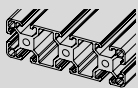
NOTE: Adjust position
after wheelbase and
seat installation



2



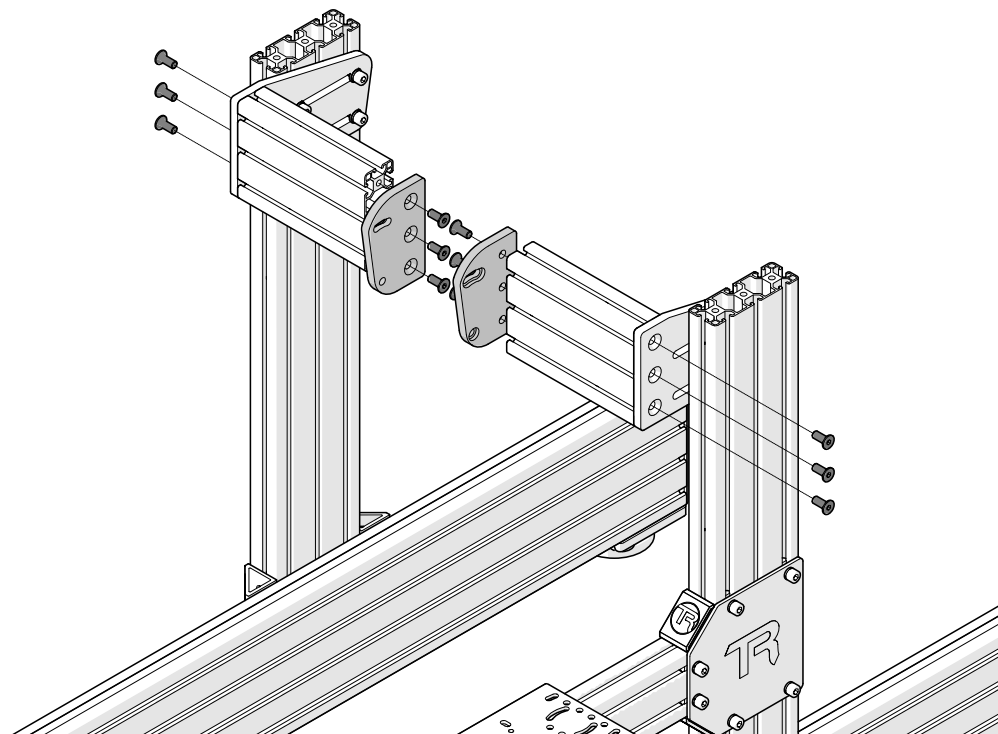
SF-M8-20 x12



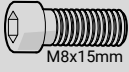
AT-120-180 x2



WM-TR1-WP x2



3



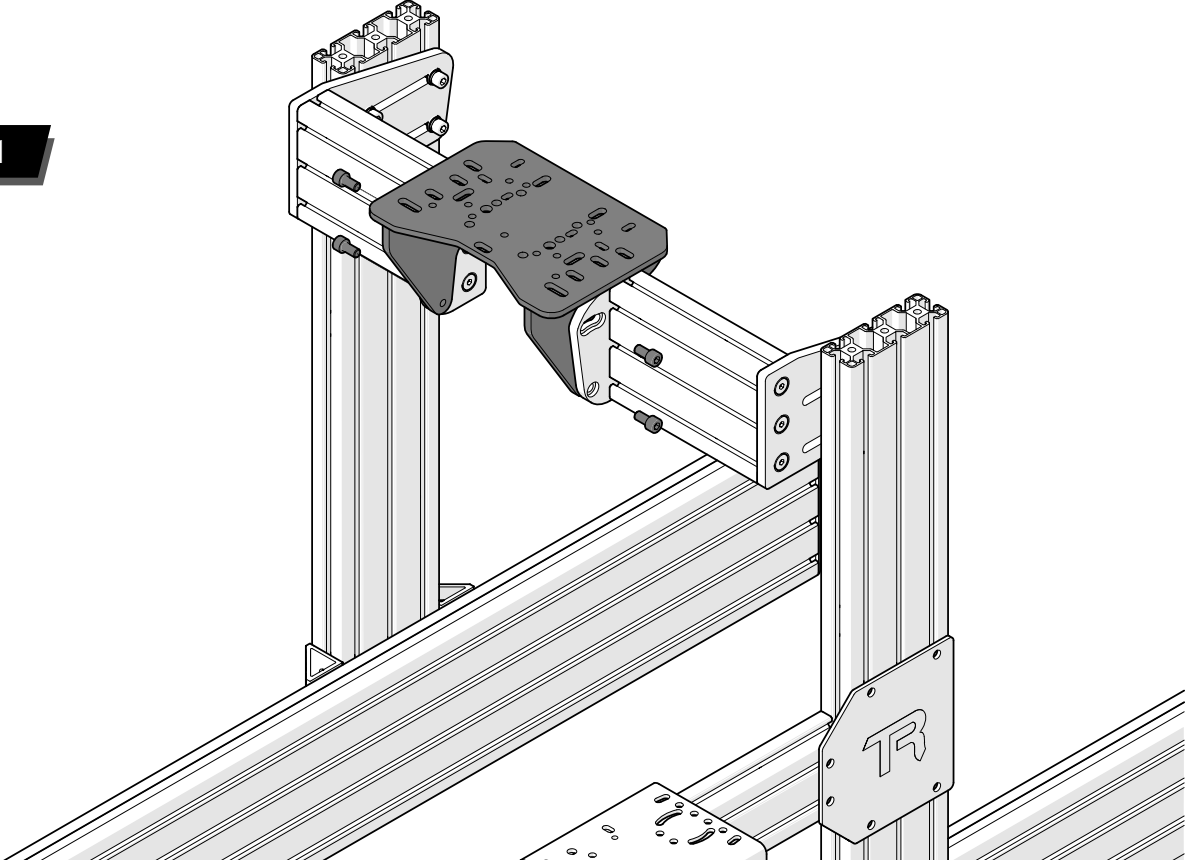
M8x15mm



SH-M8-15 x4

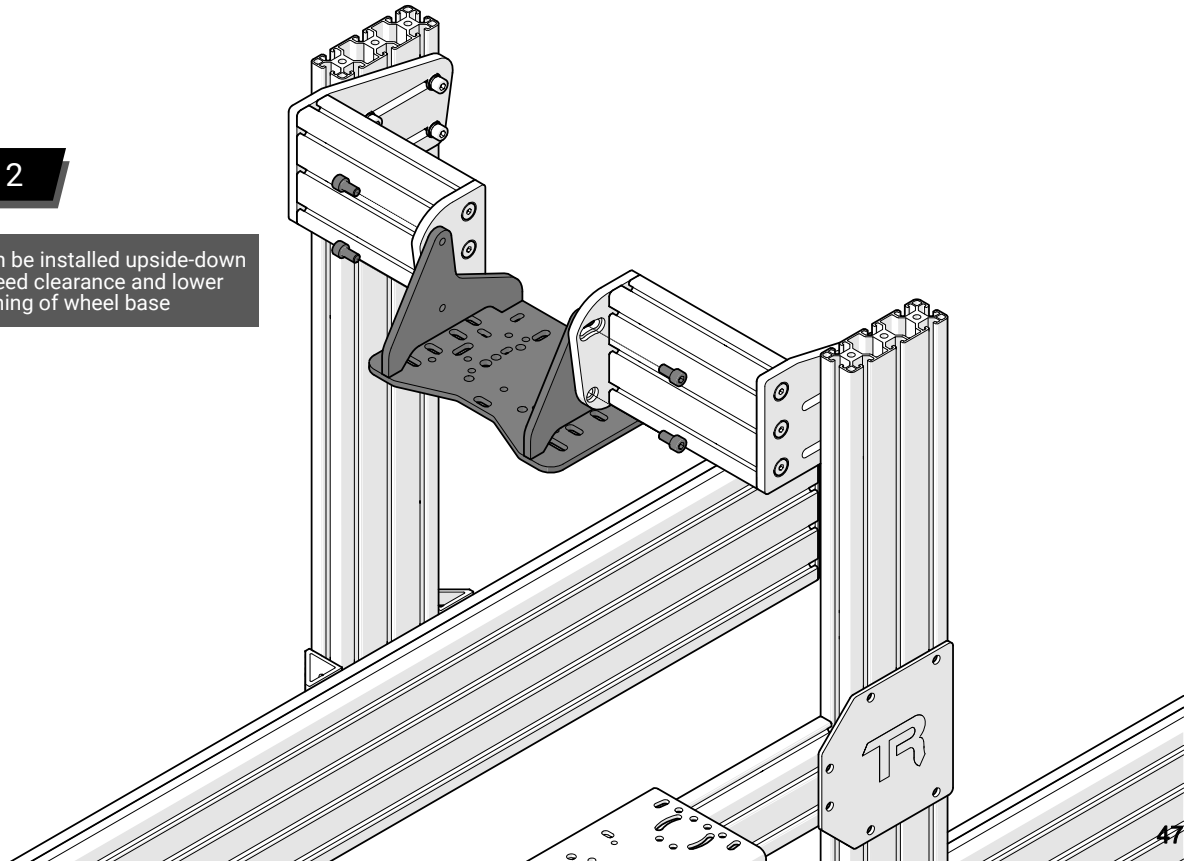
WM-WM4/5 x1

OPTION 1

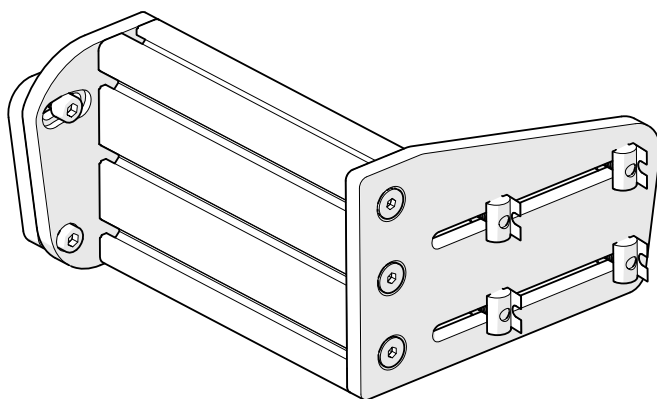
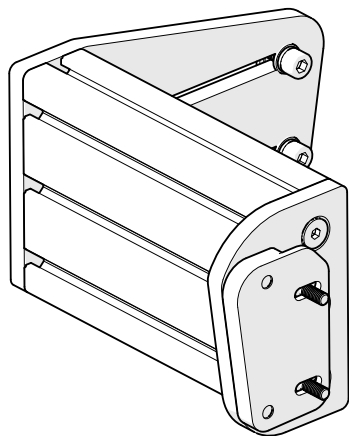


OPTION 2

WM-WM4/5 can be installed upside-down for added kneed clearance and lower positioning of wheel base



Wheel Mount Option 4



TR-One Simagic M10 Direct Drive Mount

Part #	Description	QTY	Check
BOX #: TR80-NWMA			
SH-M8-25	Screw (Hex), M8x25	12	
SF-M8-20	Screw (Flat), M8x20	12	
WF-M8	Washer (Flat), M8	8	
WL-M8	Washer (Lock), M8	8	
NS-M8	T-Nut (Spring), M8	8	
WM-TR1-FN	Wheel Mount, TR-ONE, Fanatec Plates	4	
WM-TR1-WP	Wheel Mount, TR-ONE, Wheel Plates	2	
WM-TR1-PP	Wheel Mount, TR-ONE, Profile Plates	2	
AT-120-180	Aluminum Profile (Threaded), 40x120x180mm	2	
BOX #: TR80-NWMSM			
SH-M8-16	Screw (Hex), M8x16	4	
SH-M6-16	Screw (Hex), M6x16	4	
WF-M6	Washer (Flat), M6	4	
WM-TR1-SM	Wheel Mount, TR-ONE, Sim Magic Plates	2	

* **NOTE:** Extra hardware may be included as spare parts

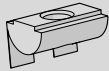
TR80-NWMA + TR80-NWMSM



TRAK RACER

Published 2023-08-23

1



NS-M8 x8



SH-M8-25 x8
M8x25mm



WL-M8 x8

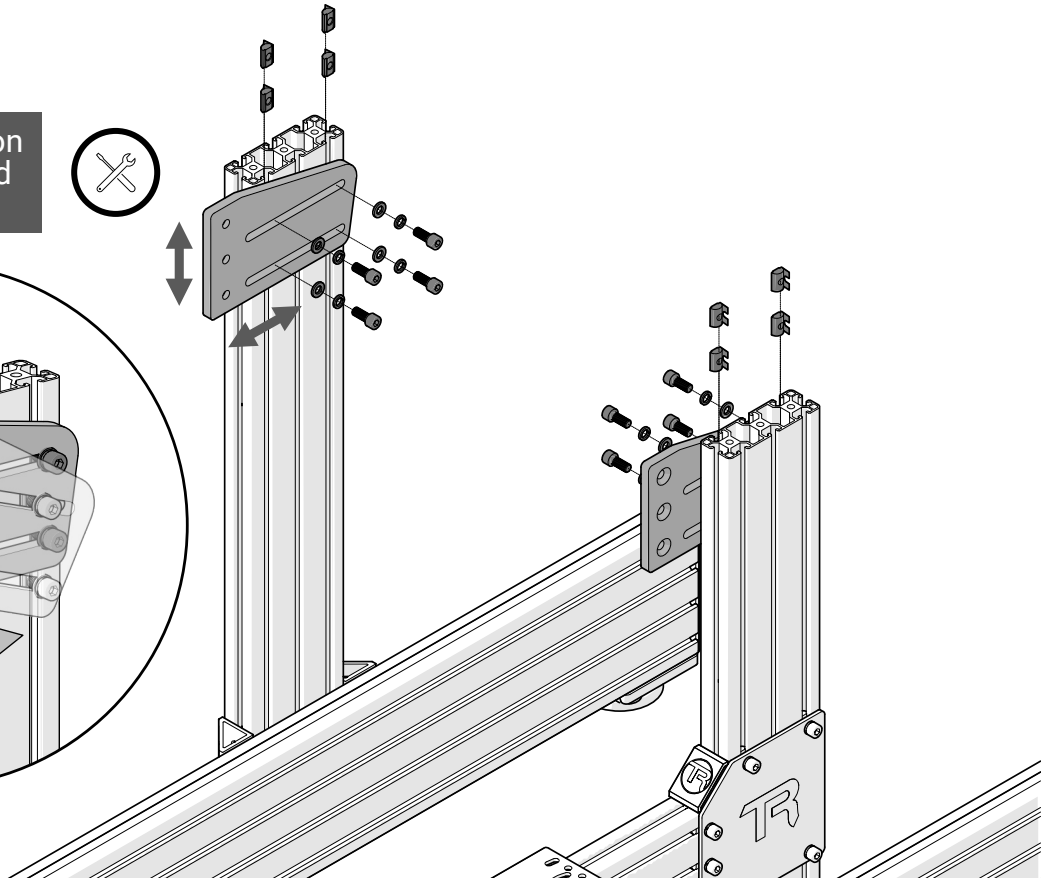
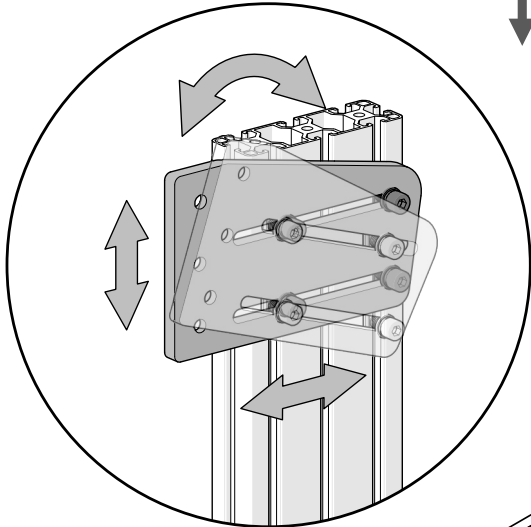


WF-M8 x8

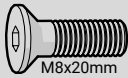


WM-TR1-PP x2

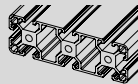
NOTE: Adjust position
after wheelbase and
seat installation



2



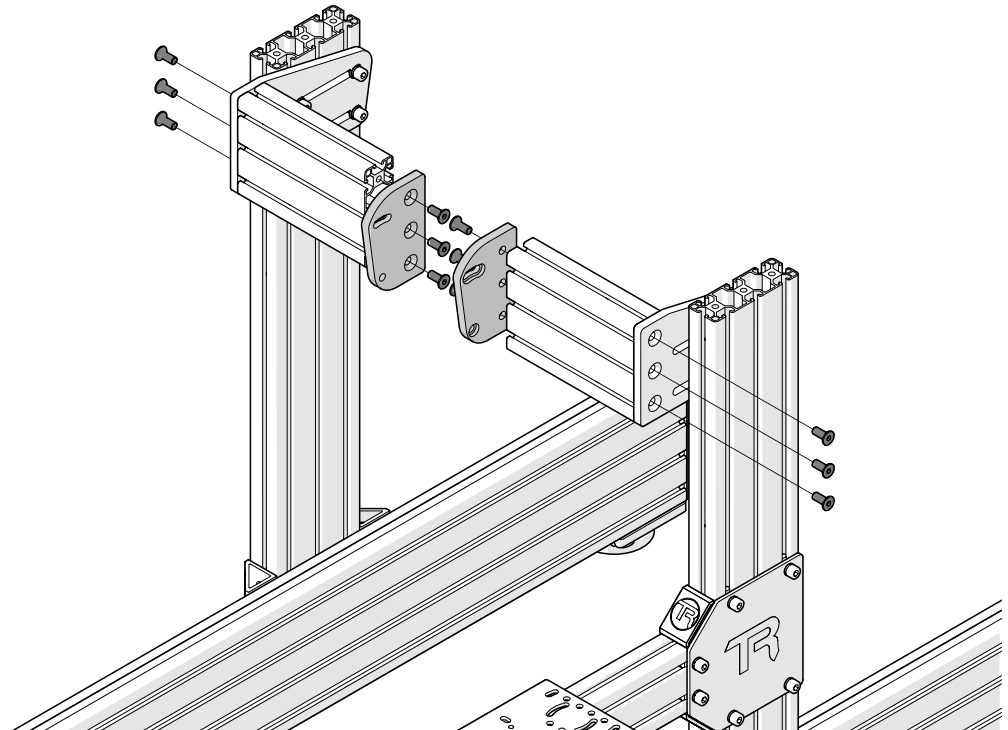
SF-M8-20 x12
M8x20mm



AT-120-180 x2



WM-TR1-WP x2

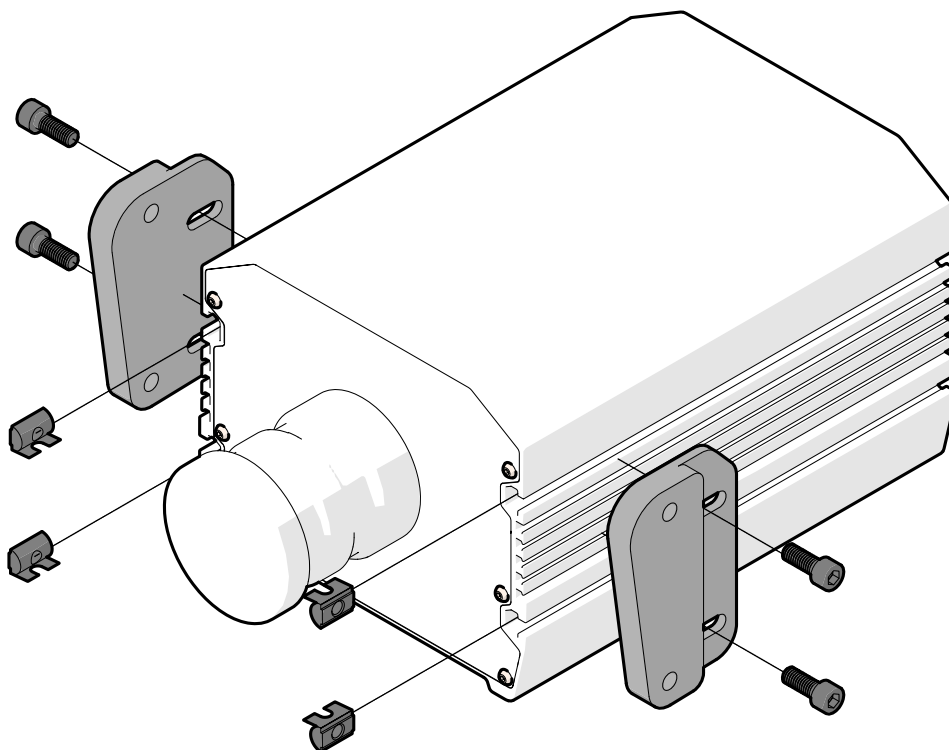


3

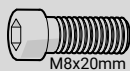
Note: Use screws and t-nuts provided with wheelbase.



WM-TR1-SM x2

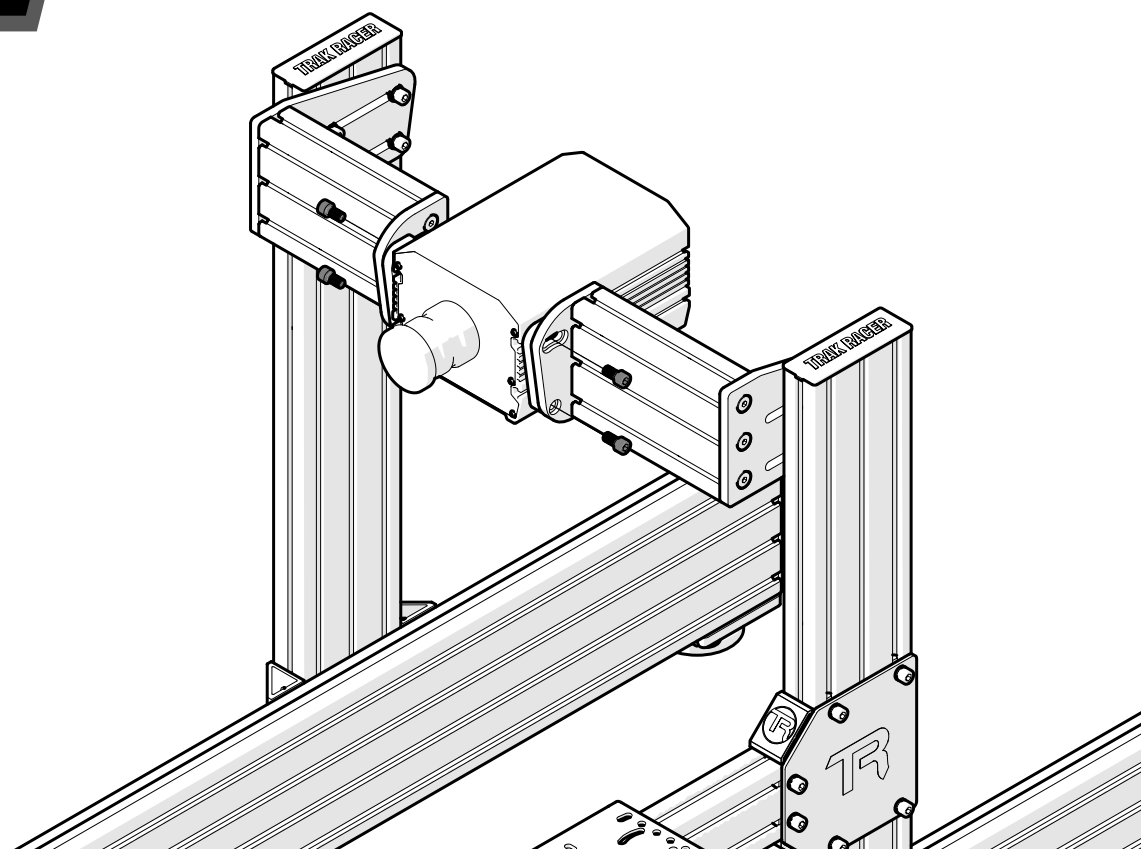


4

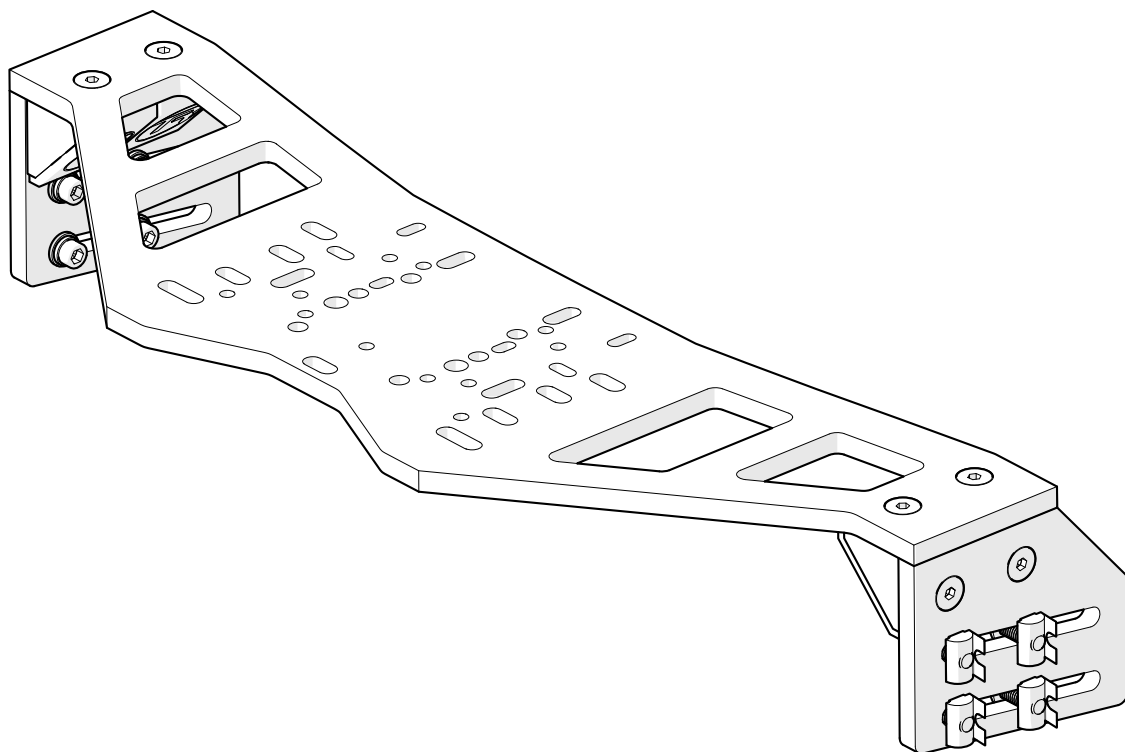


M8x20mm

SH-M8-16 x4



Wheel Mount Option 5



Universal Wheel Base Plate

Part #	Description	QTY	Check
BOX #: TR80-WMPLATE			
SH-M8-20	Screw (Hex), M8x20	8	
SF-M8-20	Screw (Flat), M8x20	8	
SH-M6-20	Screw (Hex), M6x20	4	
WF-M8	Washer (Flat), M8	8	
WL-M8	Washer (Lock), M8	8	
NF-M8	Nut (Flange), M8	8	
NS-M8	T-Nut (Spring), M8	8	
BC-40	Bracket, Corner with Cap, 40x40	4	
WM-WMP-DP	Wheel Mount, Universal, Deck Plate	1	
WM-WMP-PP	Wheel Mount, Universal, Profile Plates	2	

* **NOTE:** Extra hardware may be included as spare parts

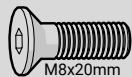
TR80-WMPLATE



TRAK RACER

Published 2023-08-23

1



M8x20mm

SF-M8-20 x4



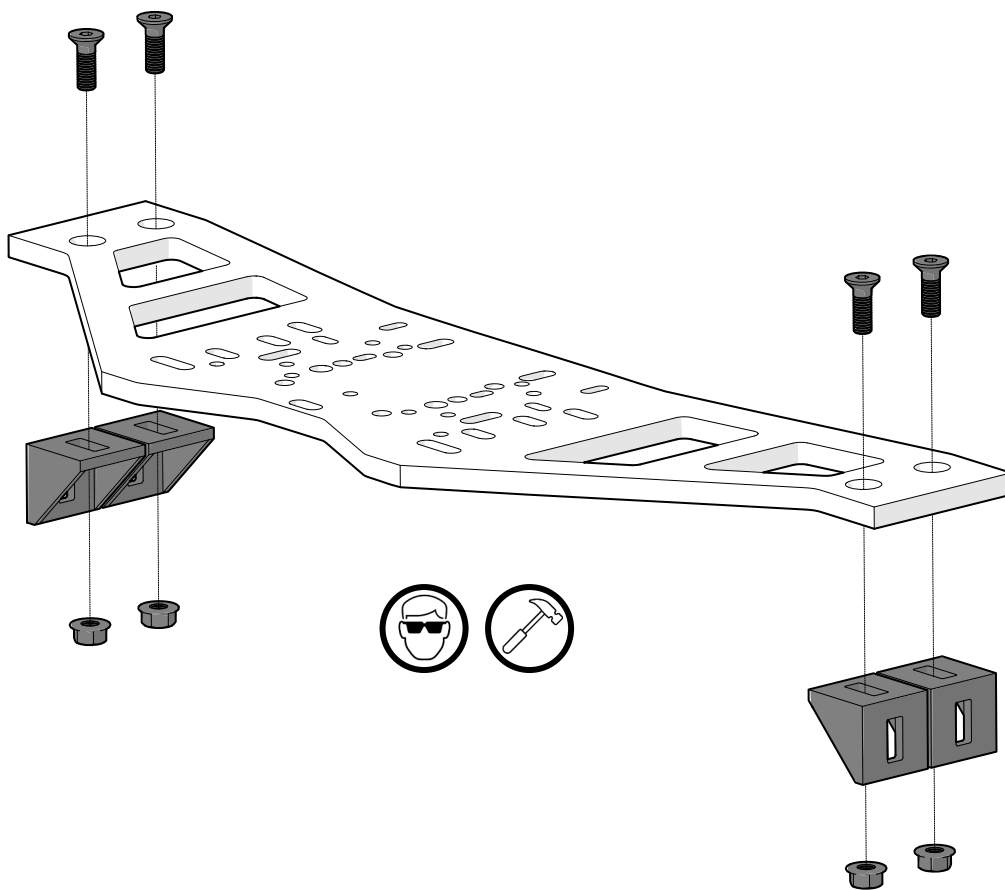
NF-M8 x4



BC-40 x4



WM-WMP-DP x1



2



M8x20mm

SF-M8-20 x4



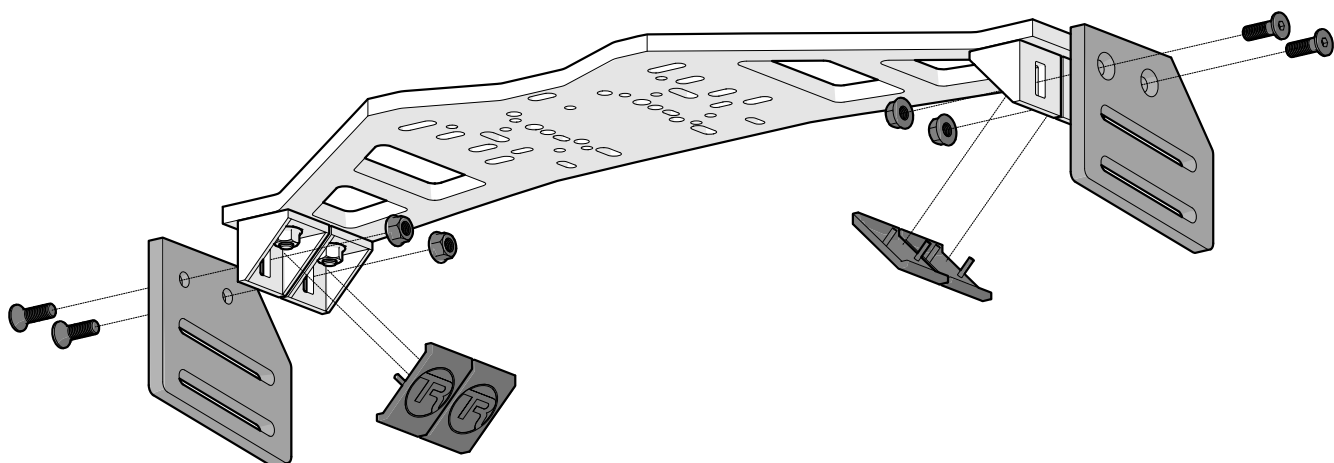
NF-M8 x4



WM-WMP-PP x4



BC-40 x4



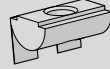
3



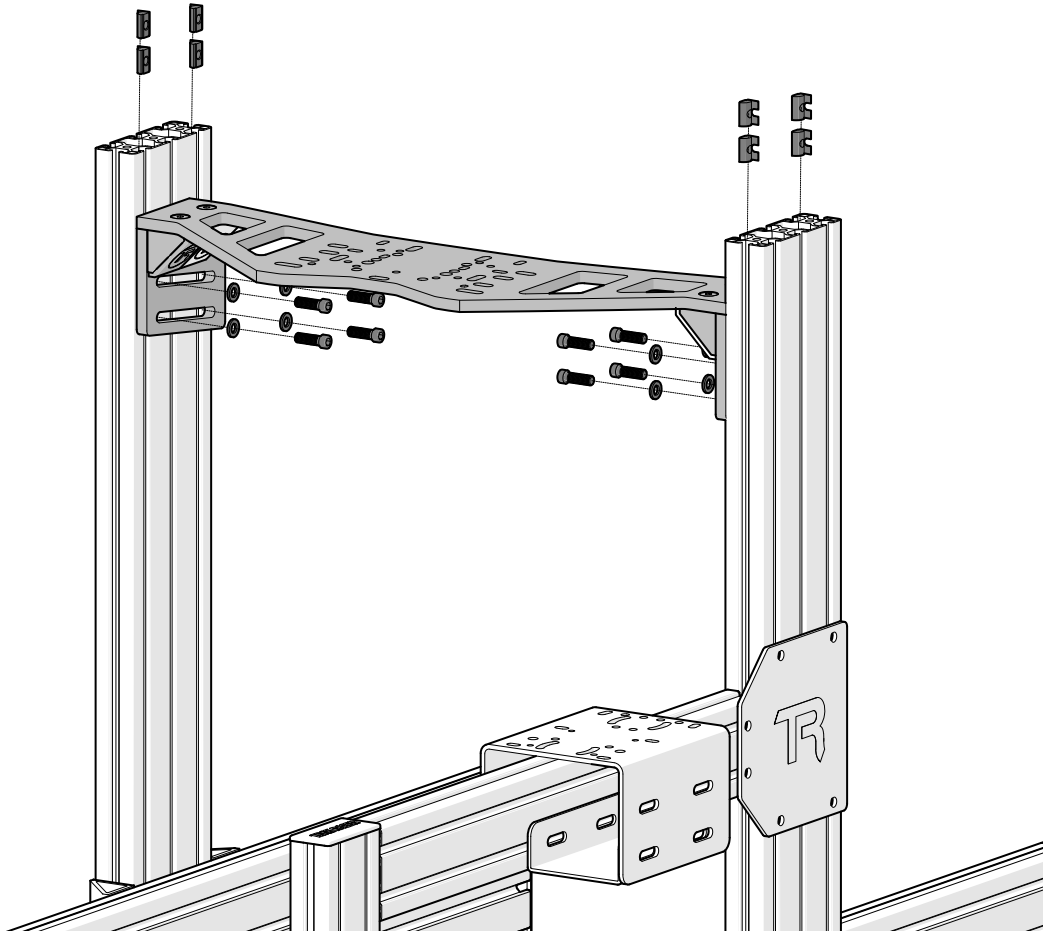
SH-M8-20 x8



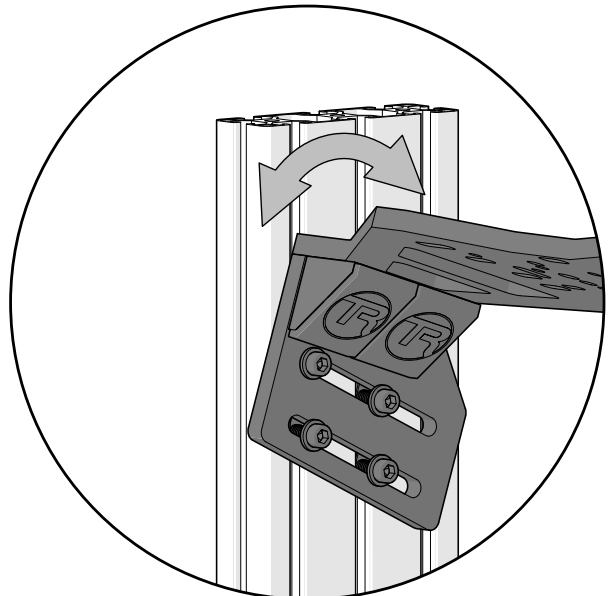
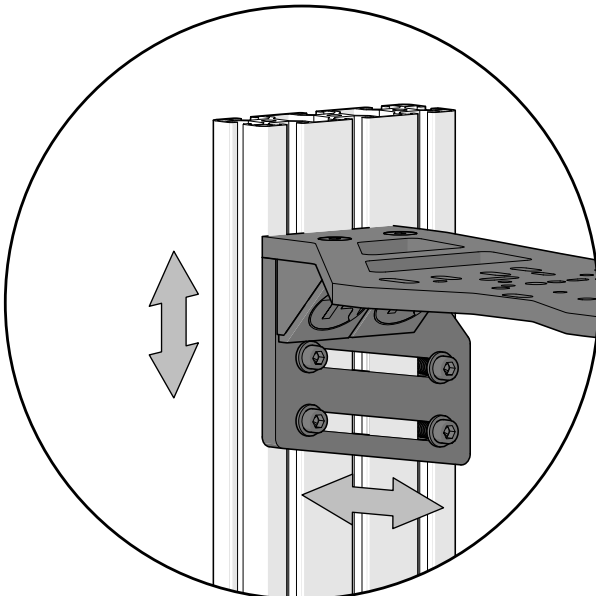
WF-M8 x8



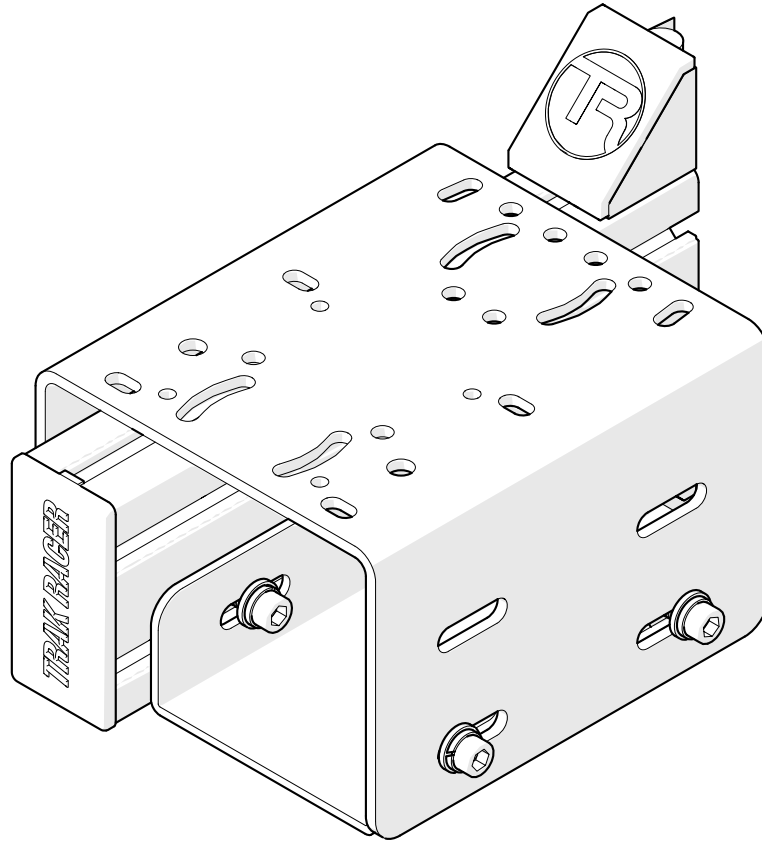
NS-M8 x8



NOTE: Adjust position after wheelbase and seat installation



Shifter Option 1

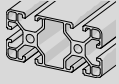


Part #	Description	QTY	Check
BOX #: TR80-SHIFTER4			
SH-M8-20	Screw (Hex), M8x20	6	
SH-M6-15	Screw (Hex), M6x15	2	
WF-M8	Washer (Flat), M8	8	
WL-M8	Washer (Lock), M8	8	
NS-M8	T-Nut (Spring), M8	6	
NF-M8	Nut (Flange), M8	2	
SM-01	Shifter Mount	1	
SM-02	Shifter Bracket	1	
BOX #: TR80-USM2-BLK			
SH-M8-20	Screw (Hex), M8x20	4	
BC-40	Bracket, Corner with Cap, 40x40	2	
NS-M8	T-Nut (Spring), M8	4	
AL-80-240	Aluminum Aluminum Profile, 40x80x240mm	1	
EC-80	End Cap, 40x80	1	
WF-M8	Washer (Flat), M8	4	
WL-M8	Washer (Lock), M8	4	

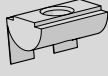
* **NOTE:** Extra hardware may be included as spare parts

TR80-SHIFTER4 + TR80-USM2-BLK

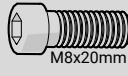
1



AL-80-240 x1



NS-M8 x4



SH-M8-20 x4



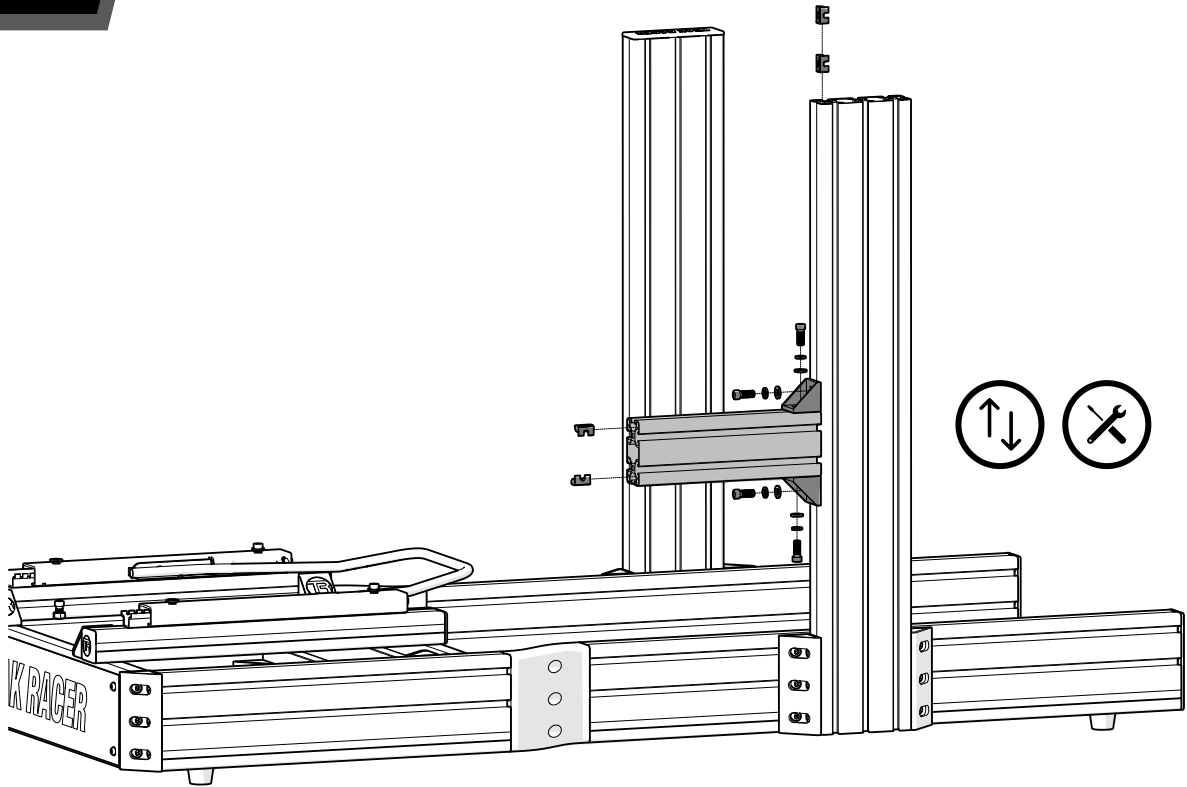
WL-M8 x4



WF-M8 x4



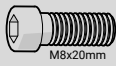
BC-40 x2



2



NS-M8 x4



SH-M8-20 x6



WL-M8 x6



WF-M8 x6



NF-M8 x2



SM-01 x1



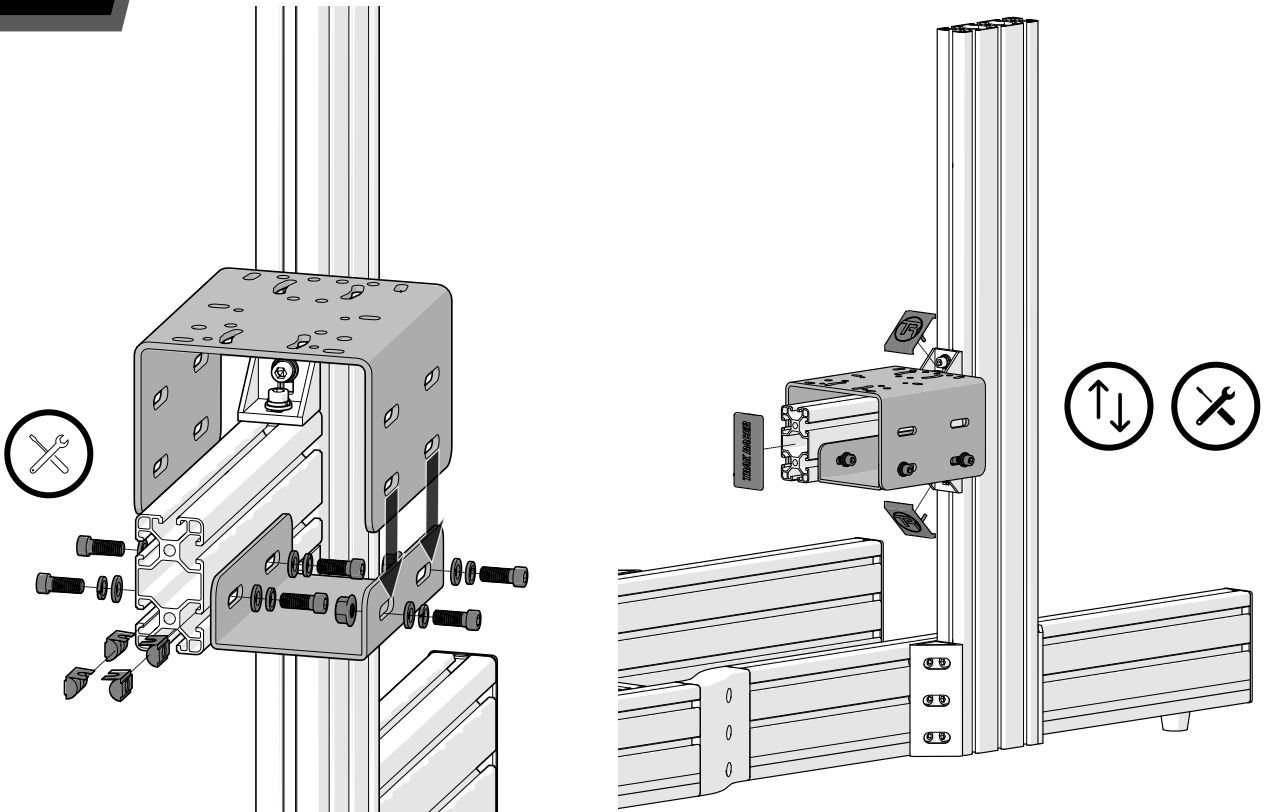
SM-02 x1



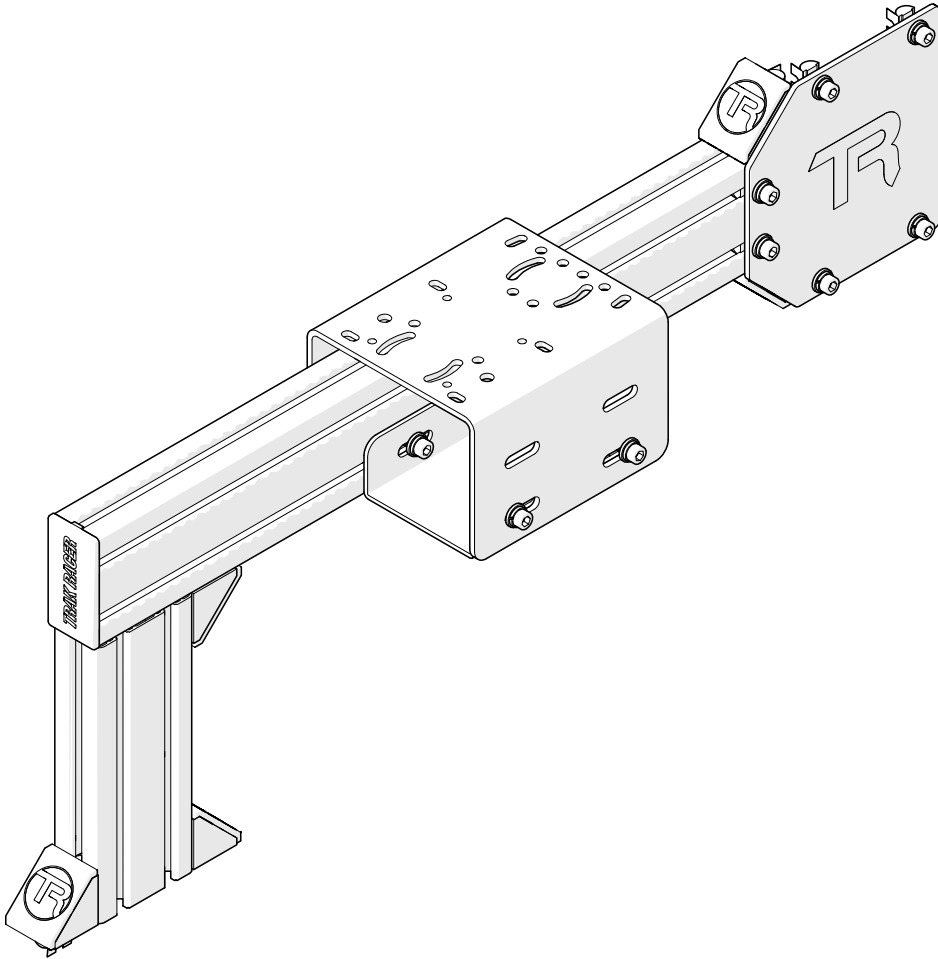
EC-80 x1



BC-40 x2



Shifter Option 2

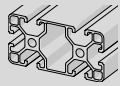


Part #	Description	QTY	Check
BOX #: TR120-SMEX			
BC-40	Bracket, Corner with Cap, 40x40	5	
EC-80	End Cap, 40x80	1	
NF-M8	Nut (Flange), M8	2	
NS-M8	T-Nut (Spring), M8	20	
AL-40-200	Aluminum Profile, 40x80x200mm	1	
AL-80-580	Aluminum Aluminum Profile, 40x80x580mm	1	
SH-M8-20	Screw (Hex), M8x20	22	
BP-120-H	Bracket (Plate), 120, Horizontal	1	
SM-01	Shifter Mount	1	
SM-02	Shifter Bracket	1	
WF-M8	Washer (Flat), M8	22	
WL-M8	Washer (Lock), M8	22	

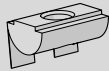
* **NOTE:** Extra hardware may be included as spare parts

TR120-SMEX

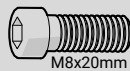
1



AL-40-200 x1



NS-M8 x4



SH-M8-20 x4



WL-M8 x4

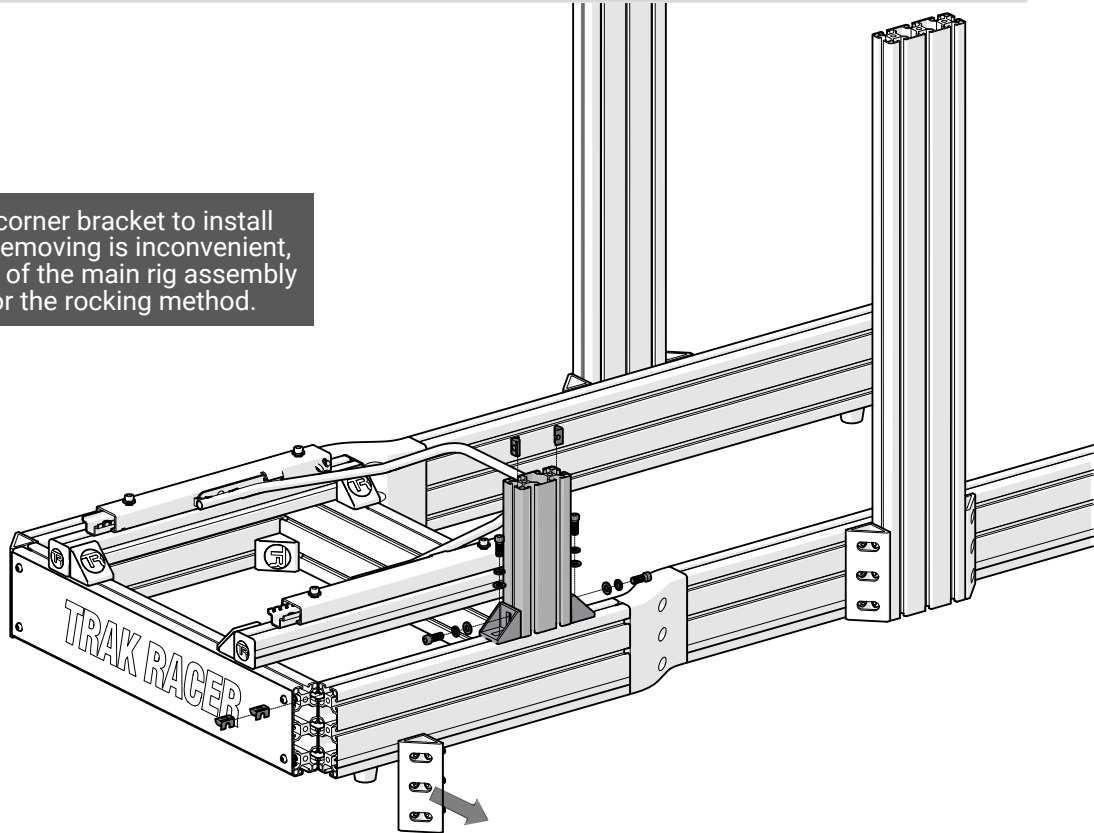


WF-M8 x4

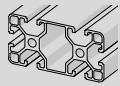


BC-40 x2

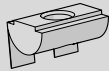
Remove corner bracket to install NS-M8. If removing is inconvenient, refer to P.7 of the main rig assembly guide for the rocking method.



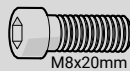
2



AL-80-580 x1



NS-M8 x6



SH-M8-20 x6



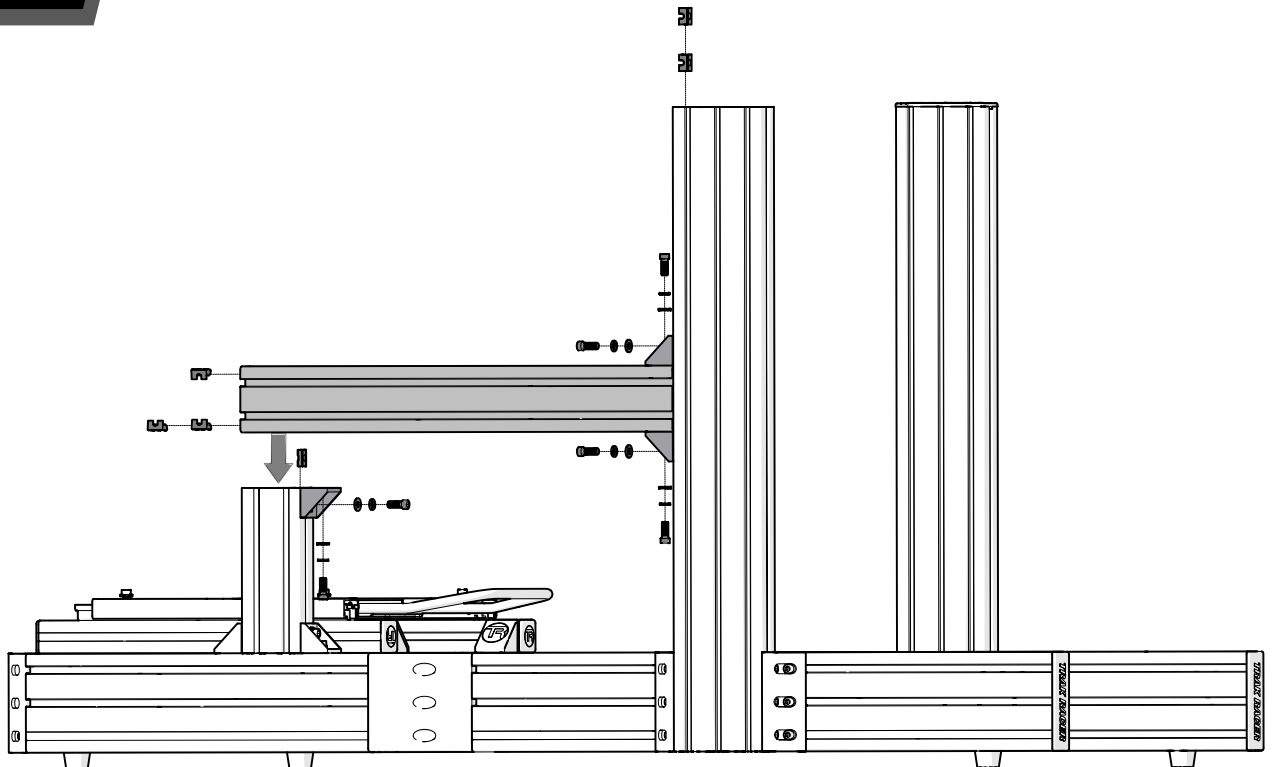
WL-M8 x6



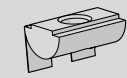
WF-M8 x6



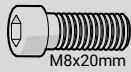
BC-40 x3



3



NS-M8 x6



SH-M8-20 x6



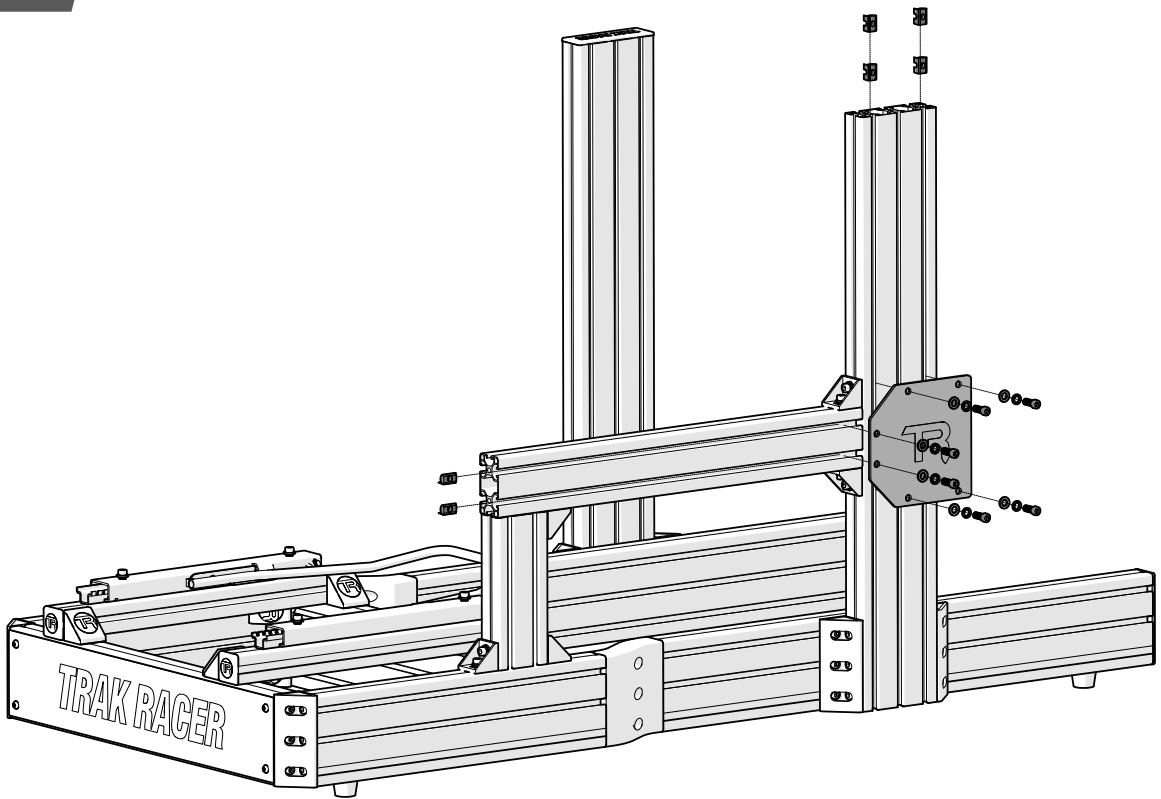
WL-M8 x6



WF-M8 x6



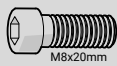
BP-80-H x1



4



NS-M8 x4



SH-M8-20 x6



WL-M8 x6



WF-M8 x6



NF-M8 x2



SM-01 x1



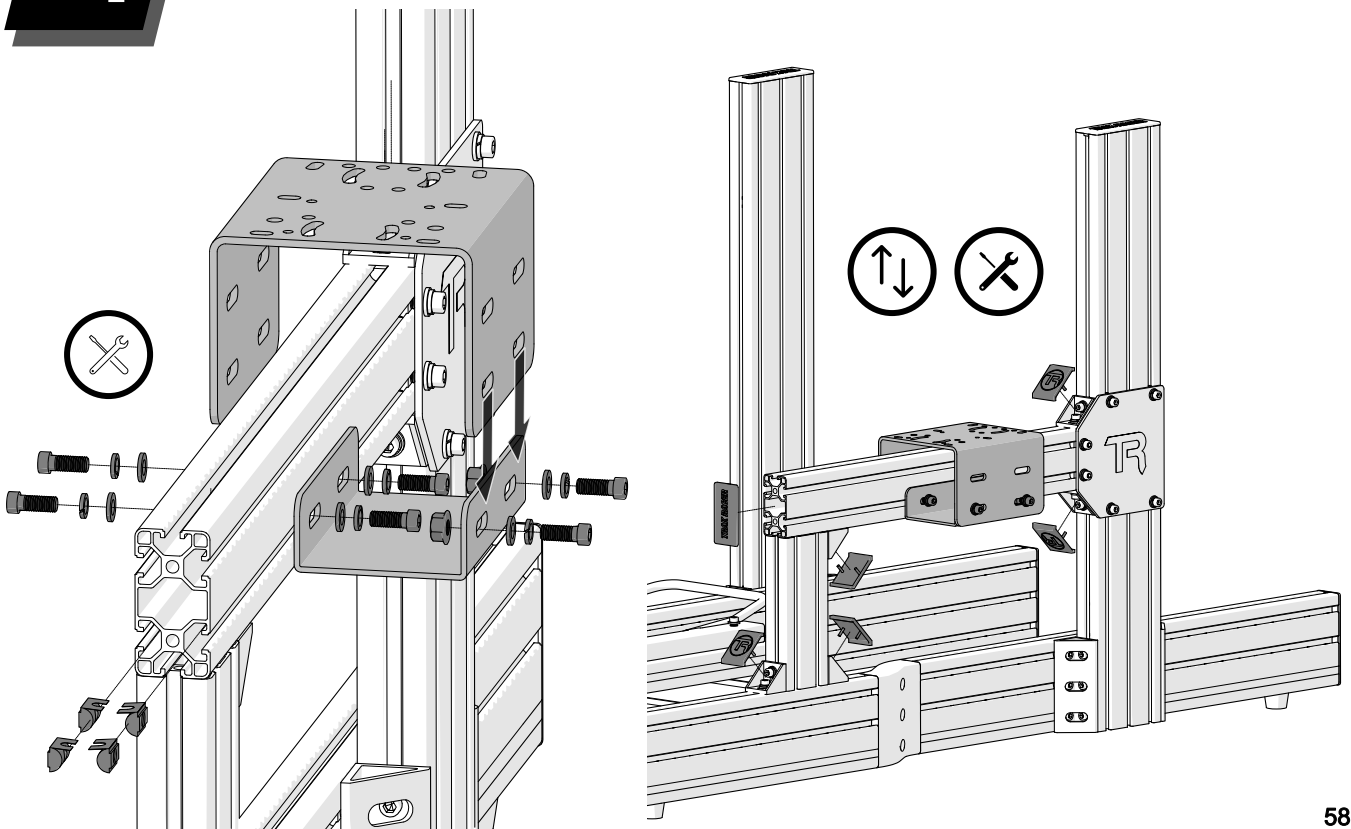
SM-02 x1



EC-80 x1



BC-40 x5



FINISHED



Share your build online and tag us to be featured!



@trakracer



@trakracer



@trak_racer