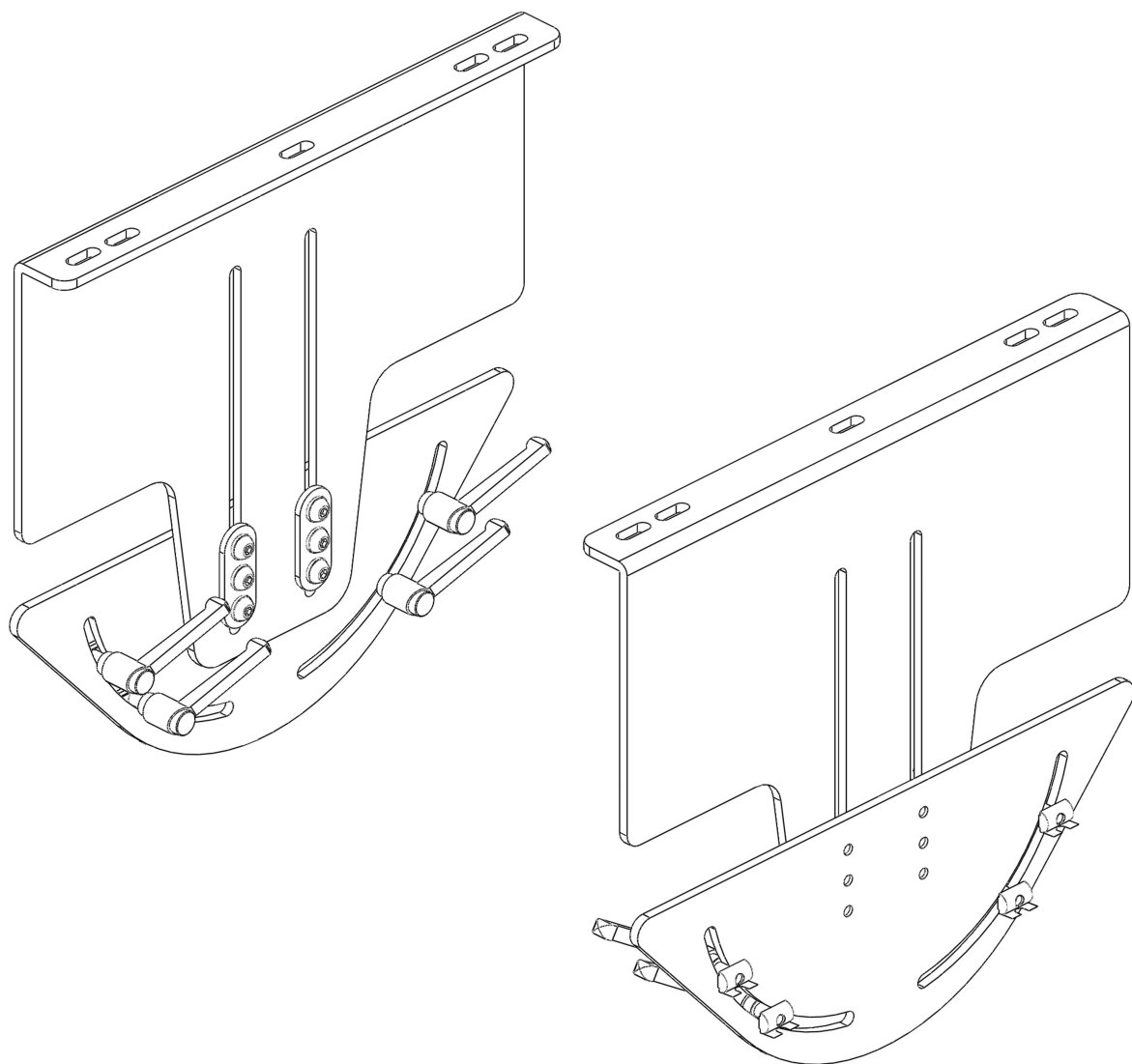


RAISED PEDAL BRACKETS/ FORMULA POSITION

Instruction manual

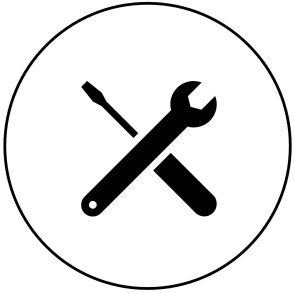


TR160-F1PEDALUP

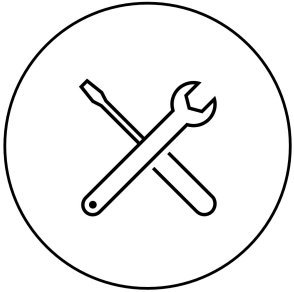




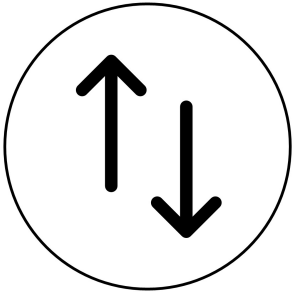
- Two people needed



- Tighten hardware

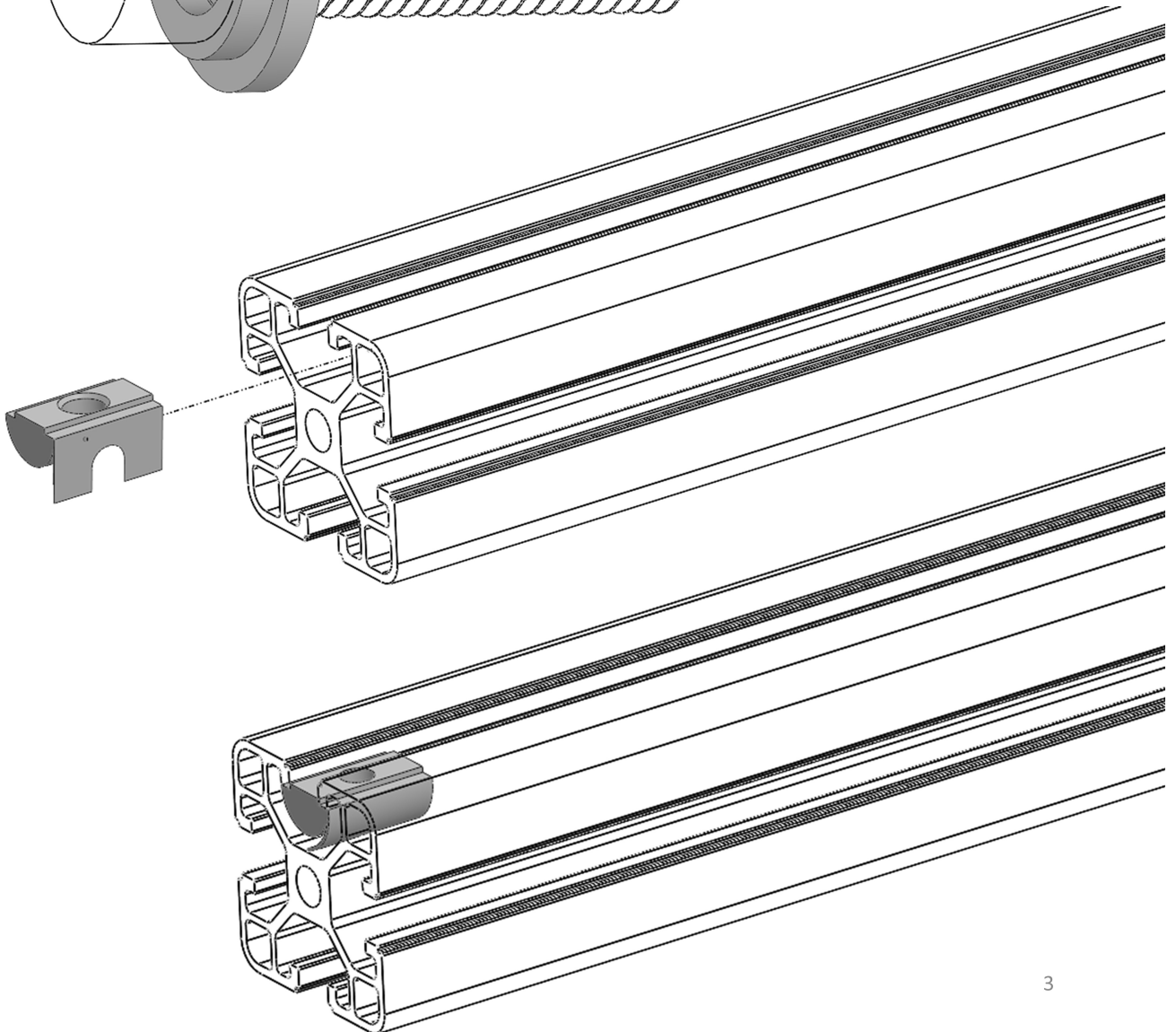
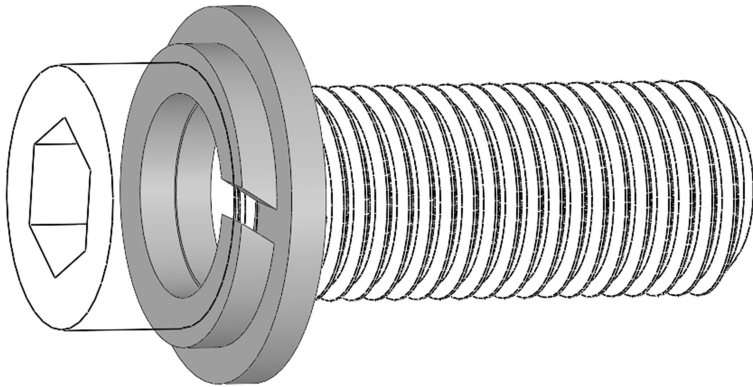
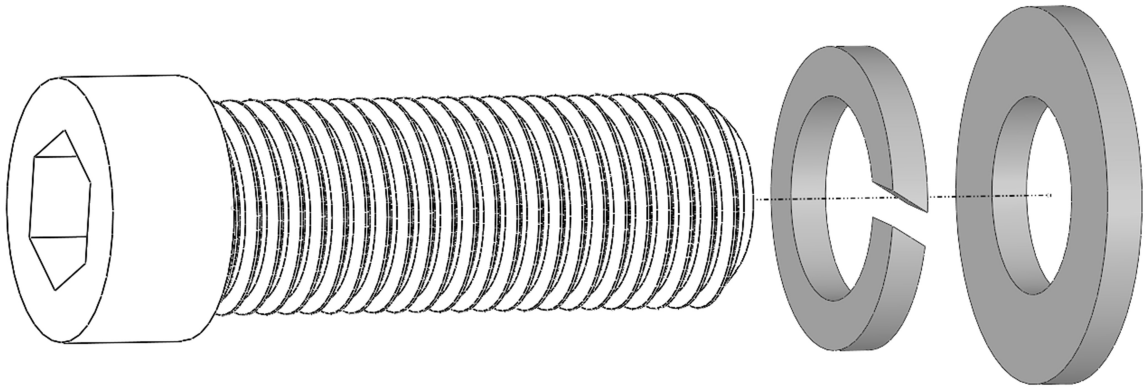


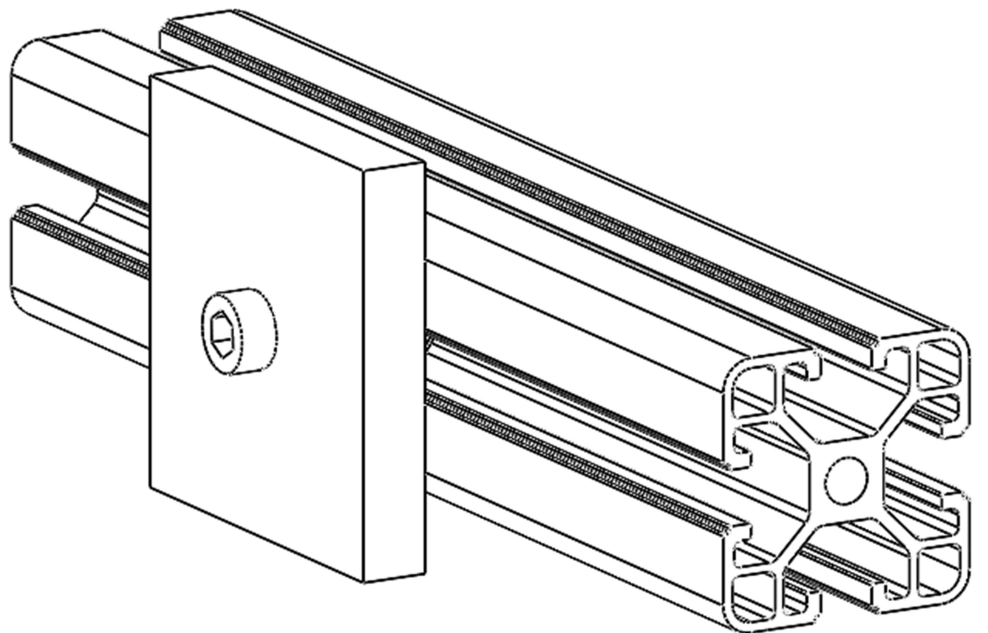
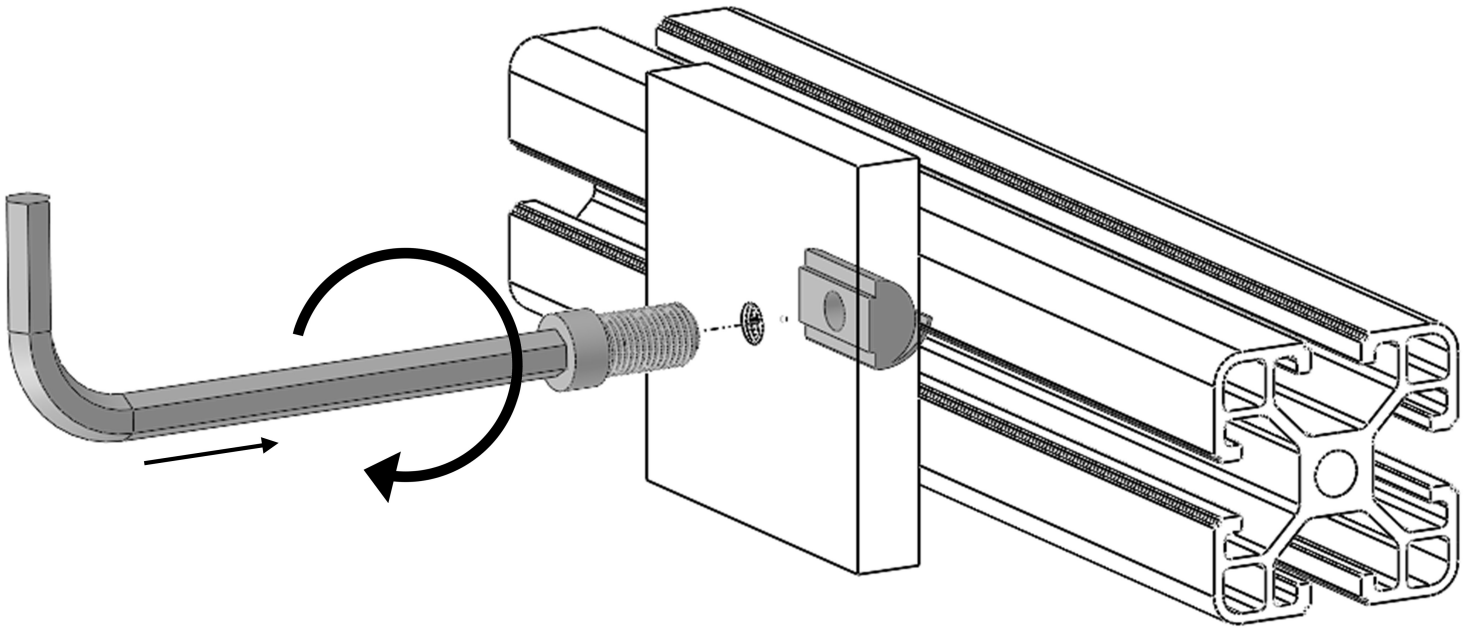
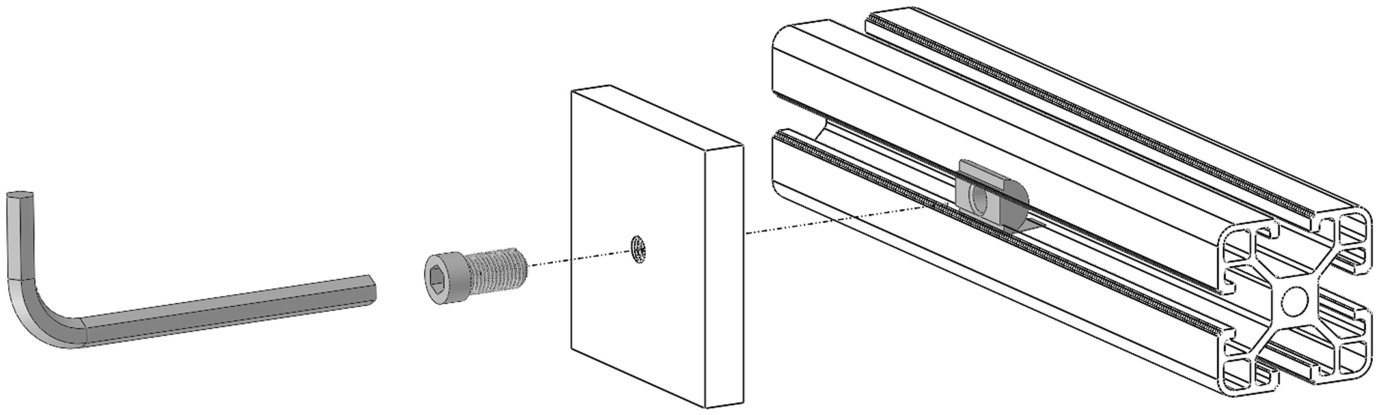
- Leave hardware loose for adjustment

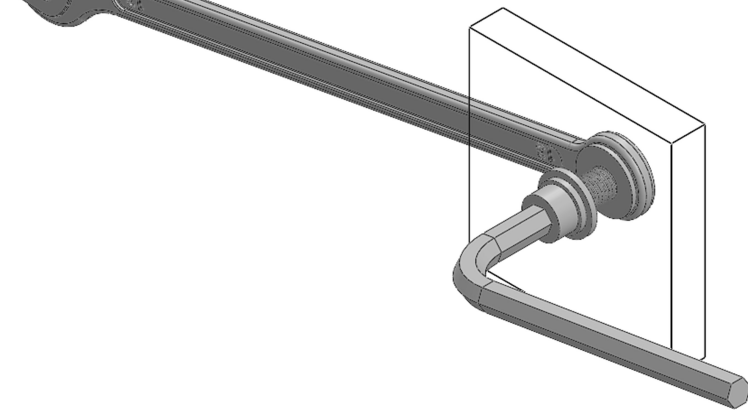
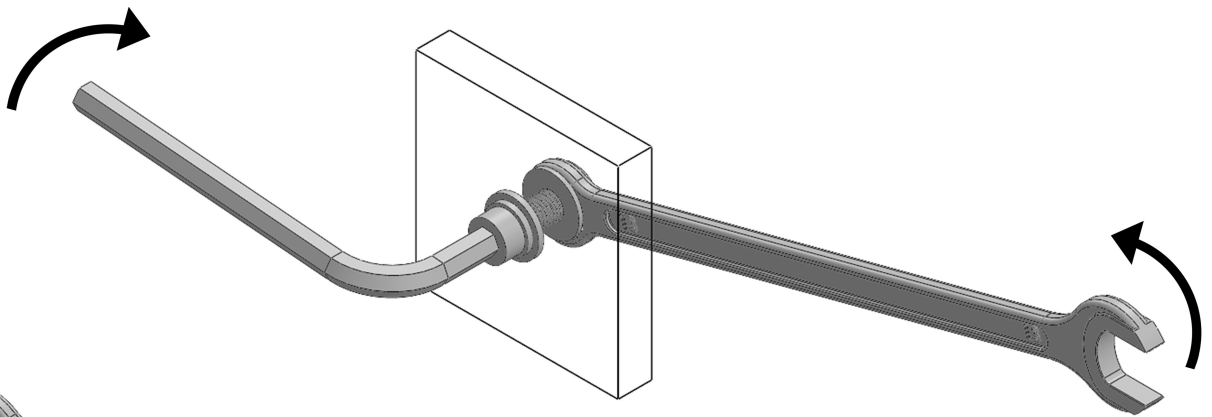
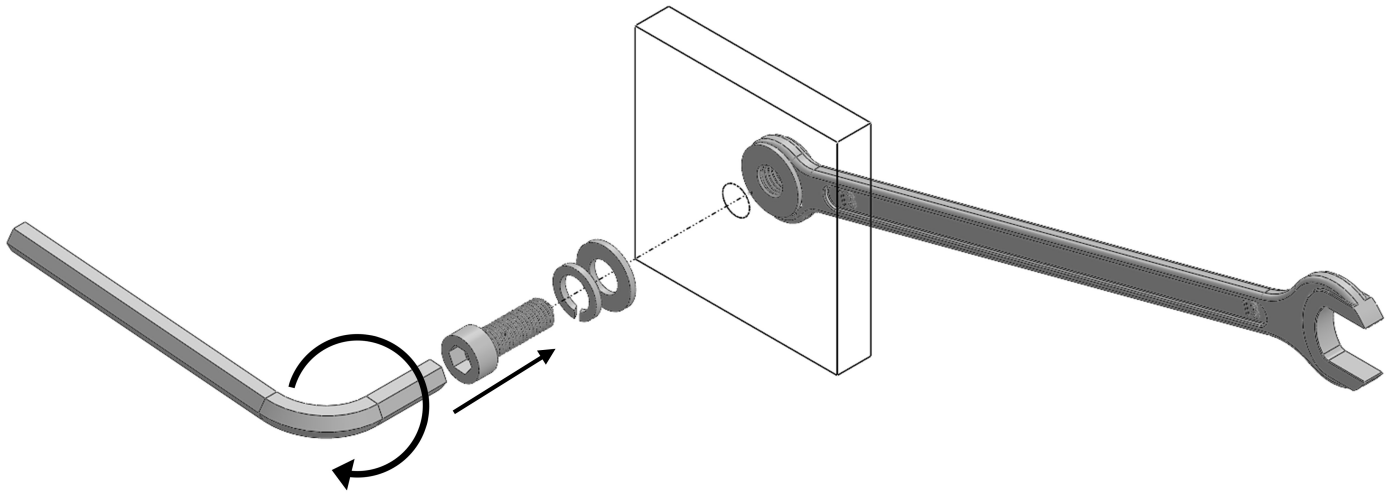
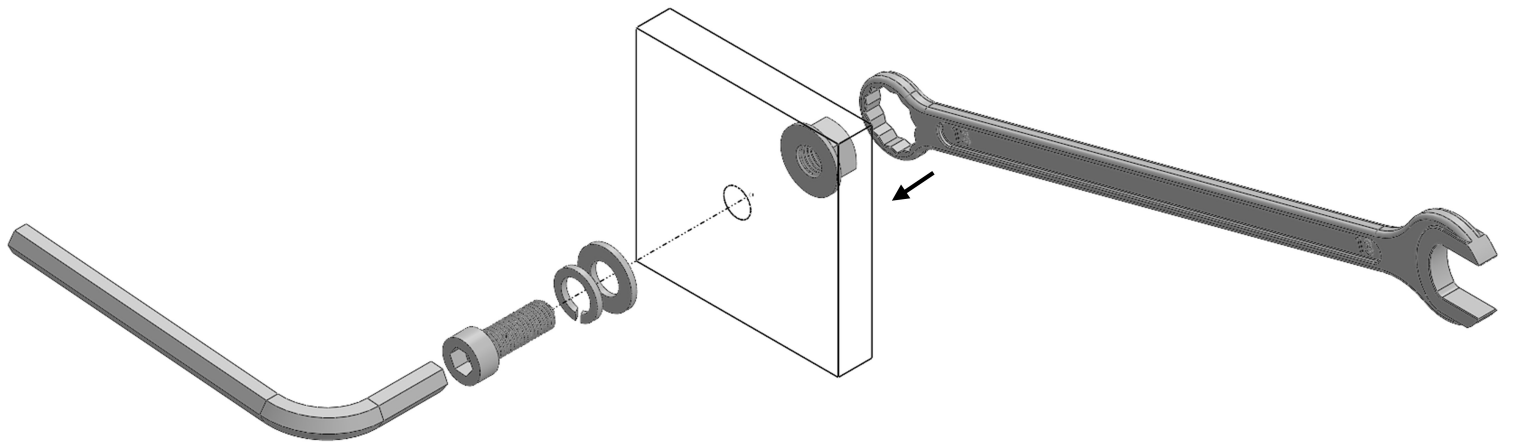


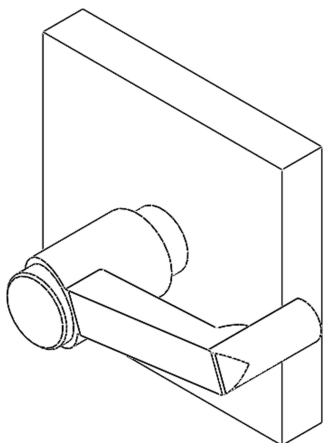
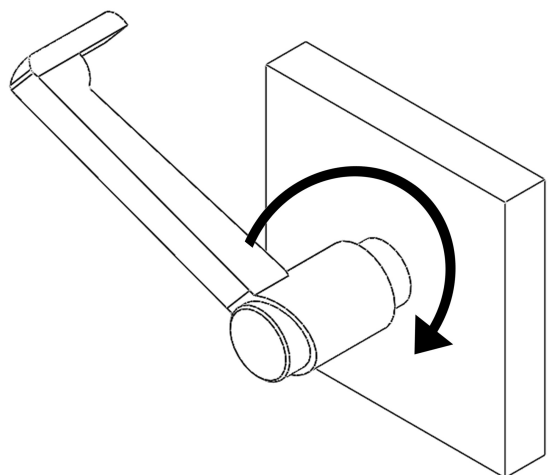
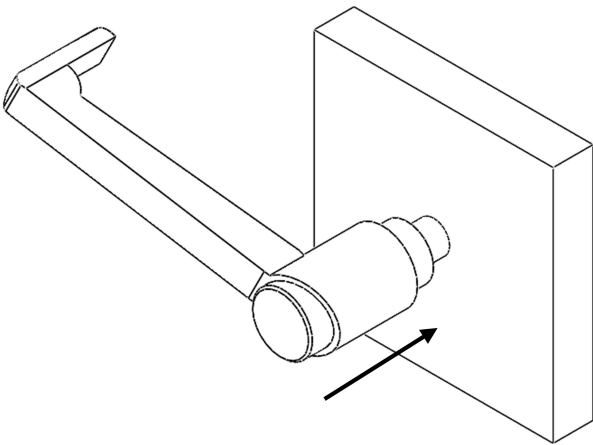
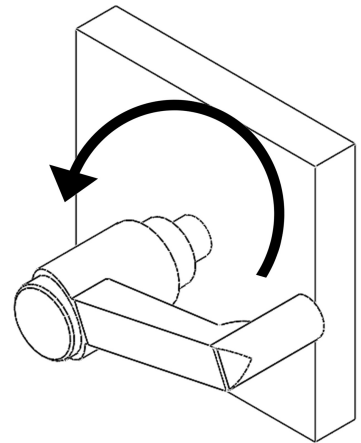
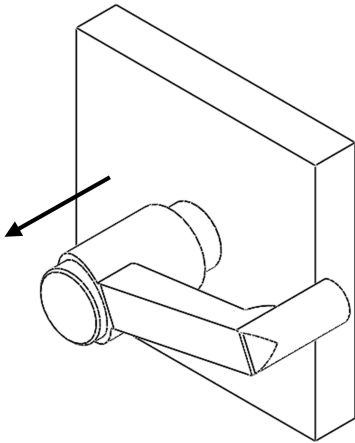
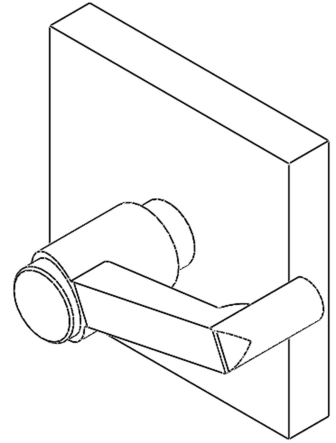
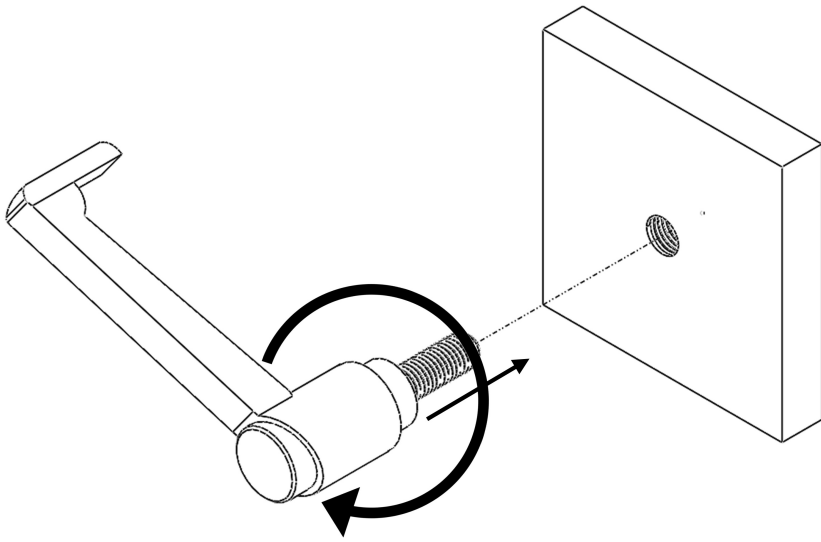
- Make Adjustment

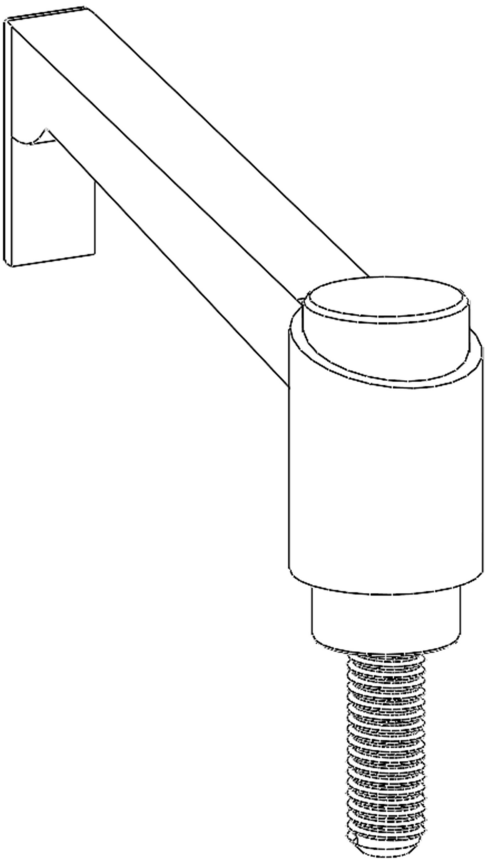
NOTE





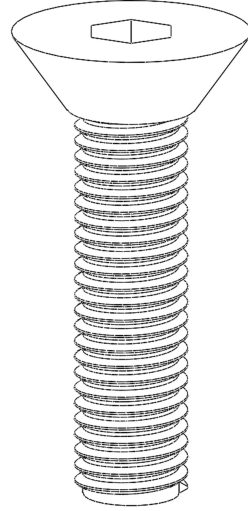






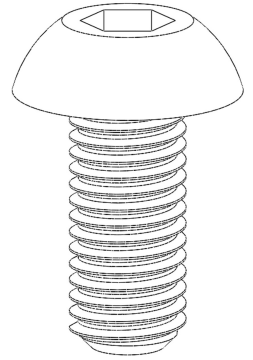
M8x20 Handle Screw

S7 × 8



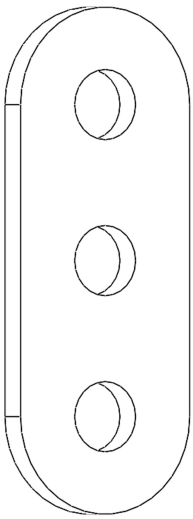
M8x25 Flat Screw

S5 × 6



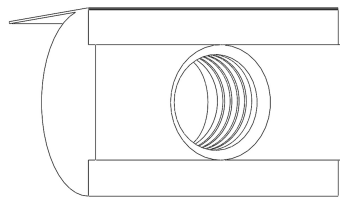
M8x16 Button Screw

S1 × 12



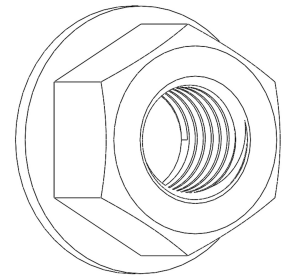
Washer for Pedal Plate Side Mount

W3 × 4



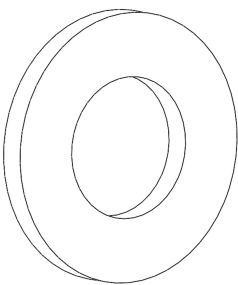
M8 T-Nut

N2 × 8



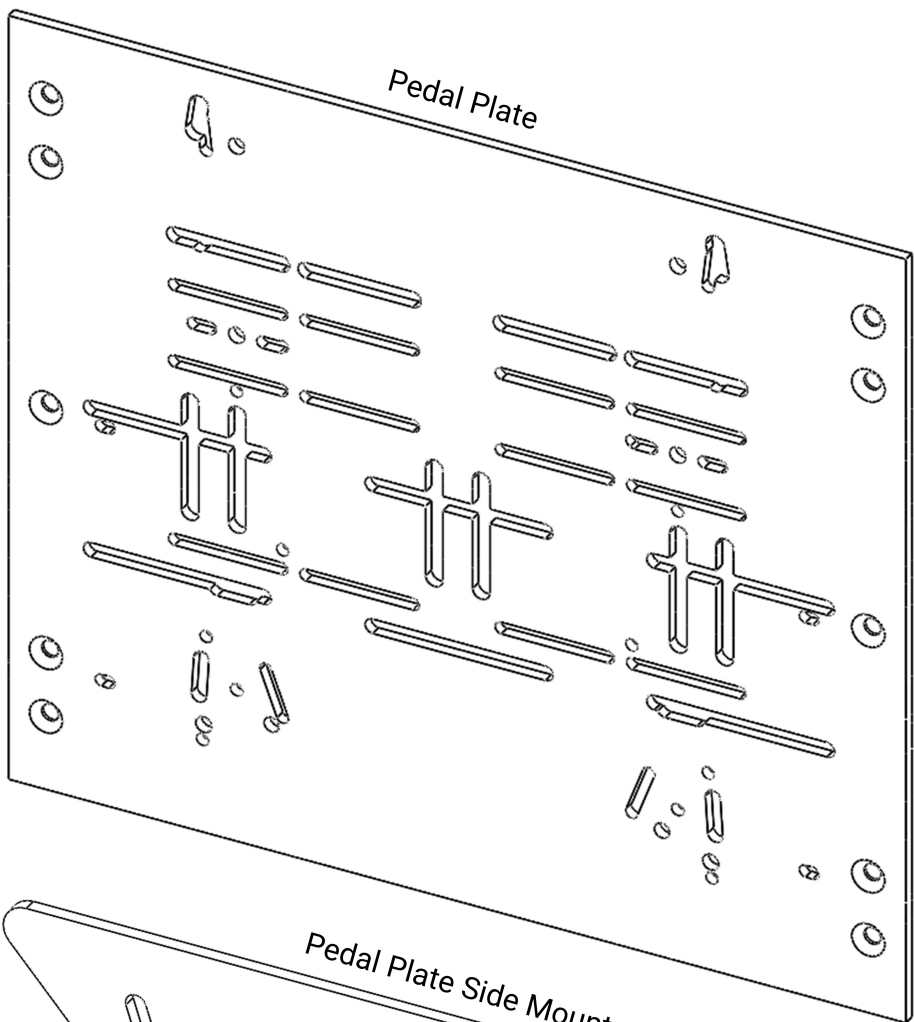
M8 Flange Nut

N1 × 6



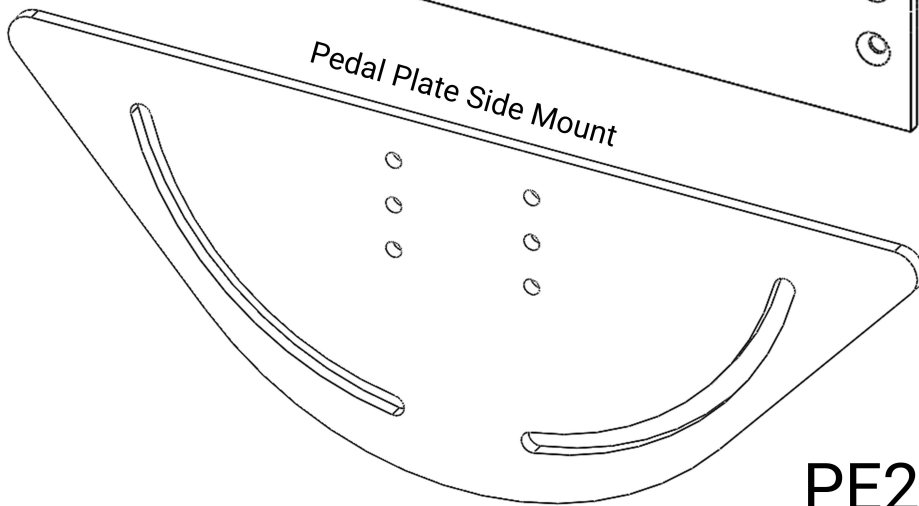
Flat Washer

W1 × 12



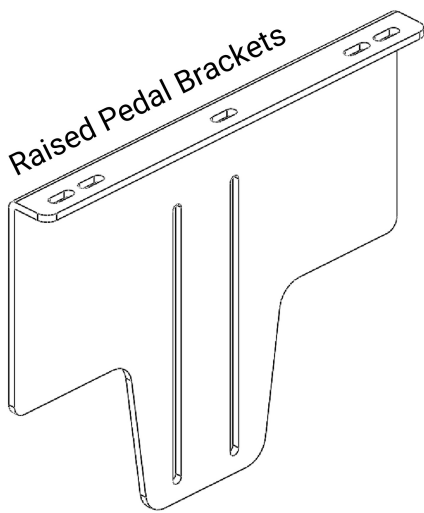
Pedal Plate

PE1 × 1

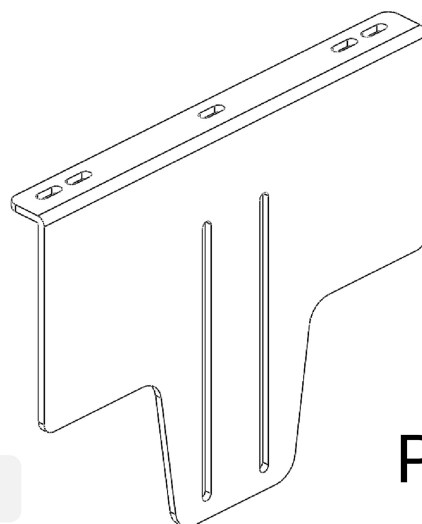


Pedal Plate Side Mount

PE2 × 2



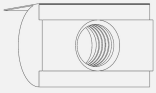
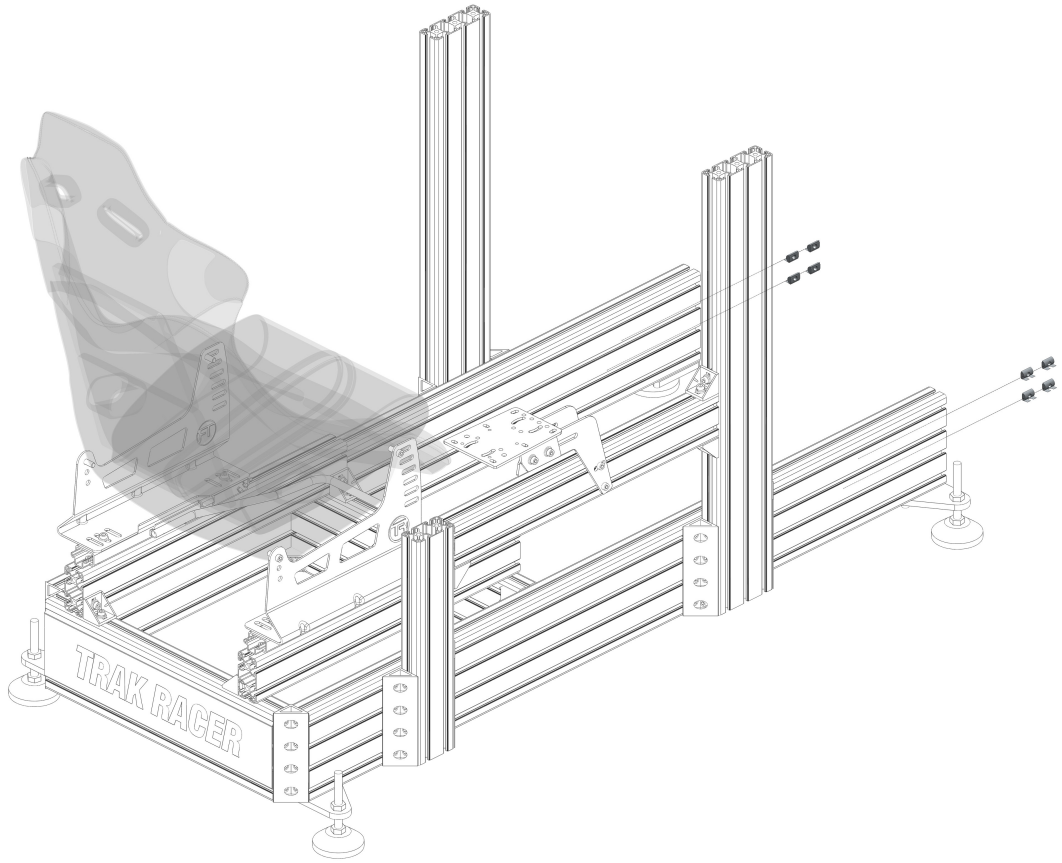
Raised Pedal Brackets



PEU × 1

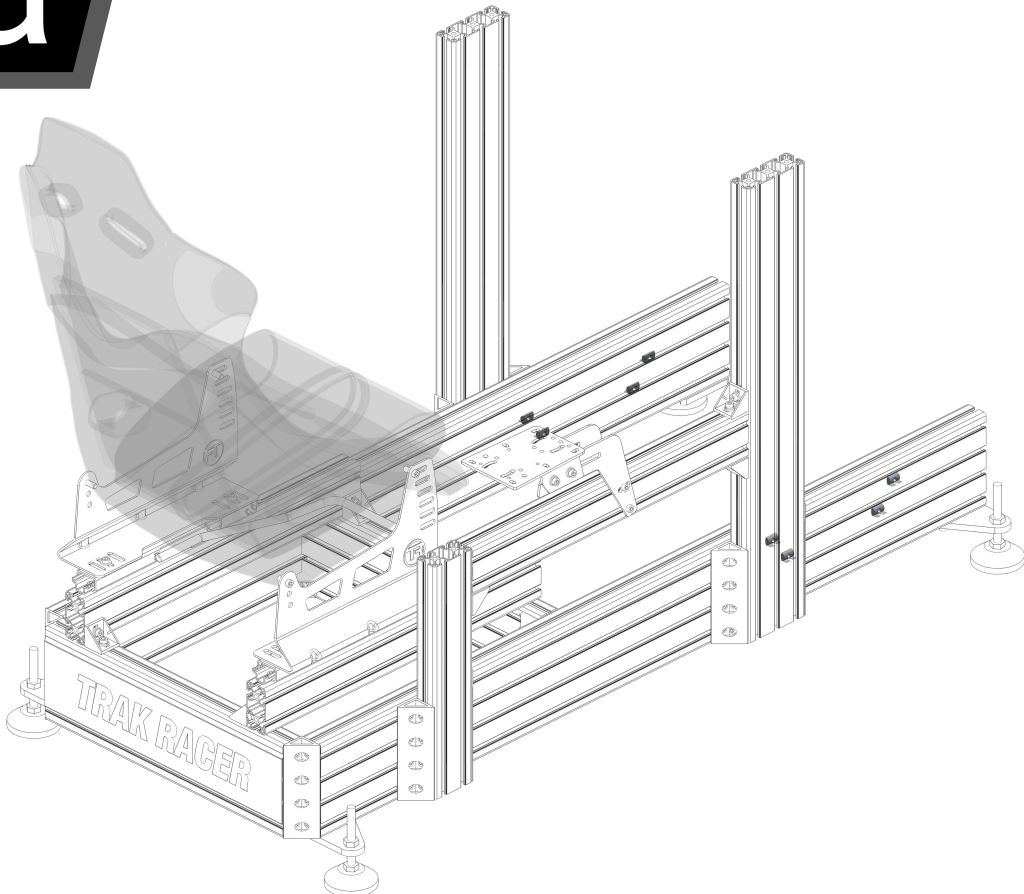
Note: PE1 not supplied, Re-use from TR160

1

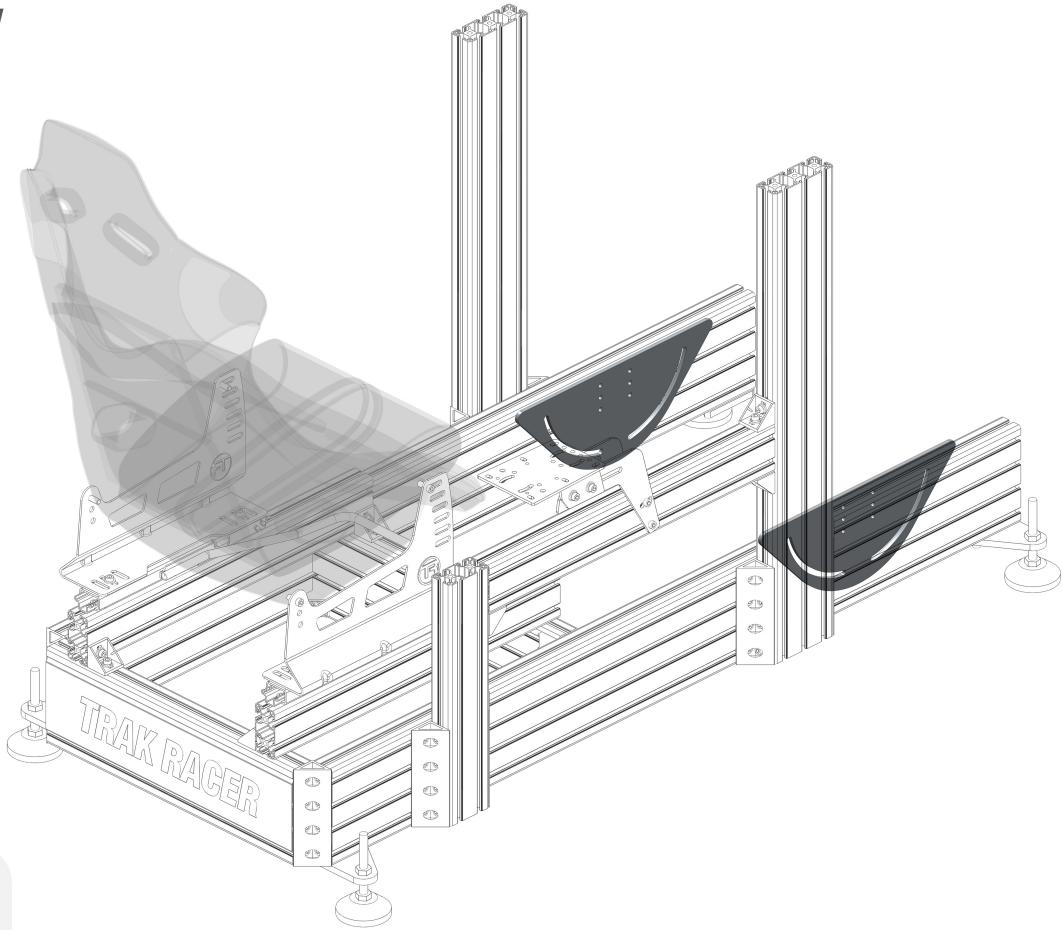


N2x8

1a

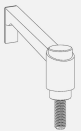
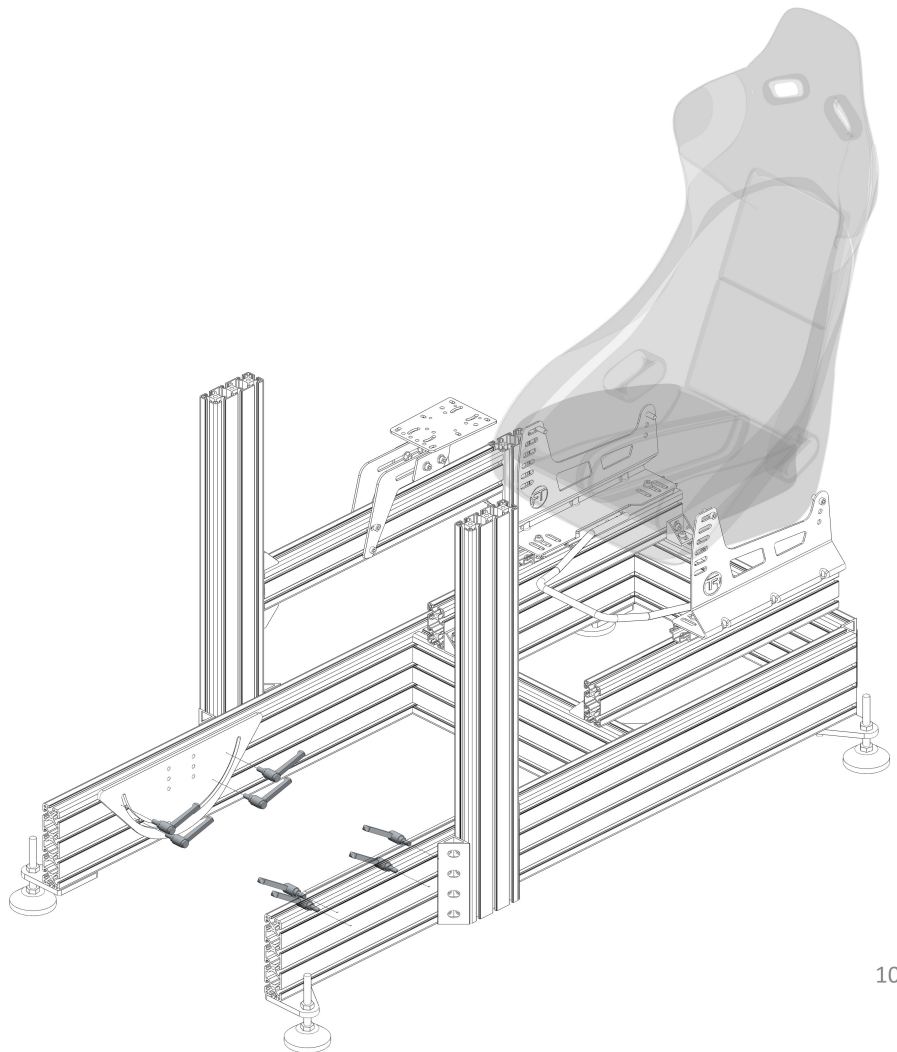


2



PE2x2

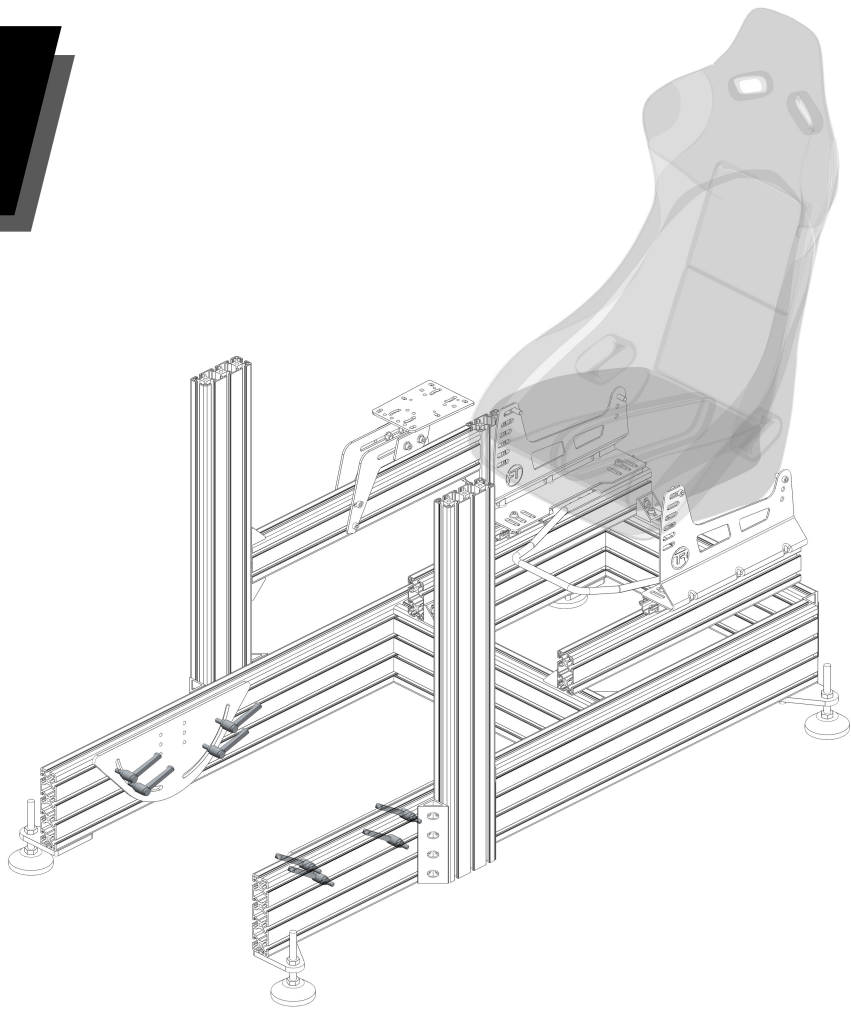
3



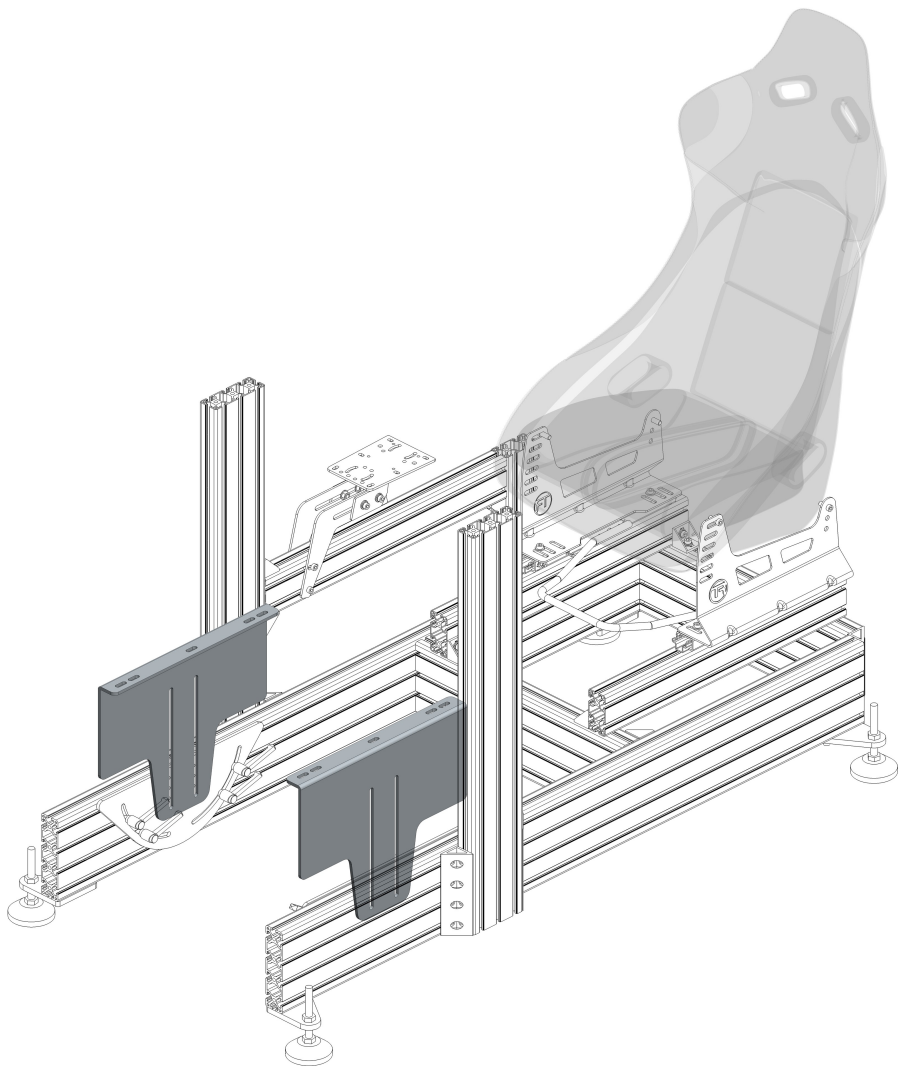
S7x8



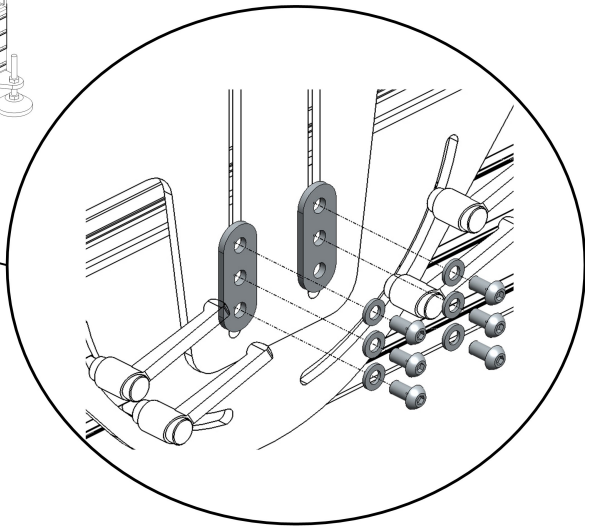
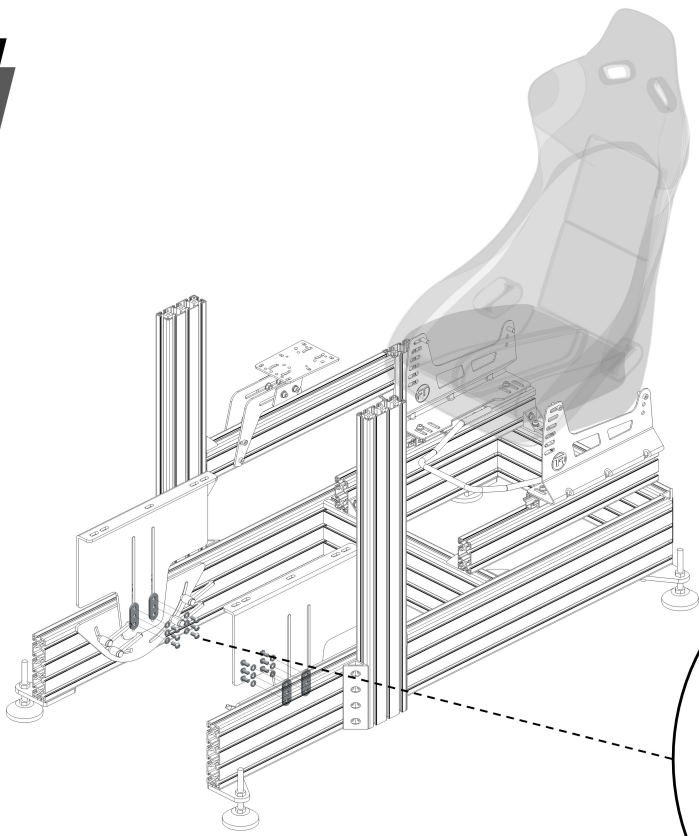
3a




4

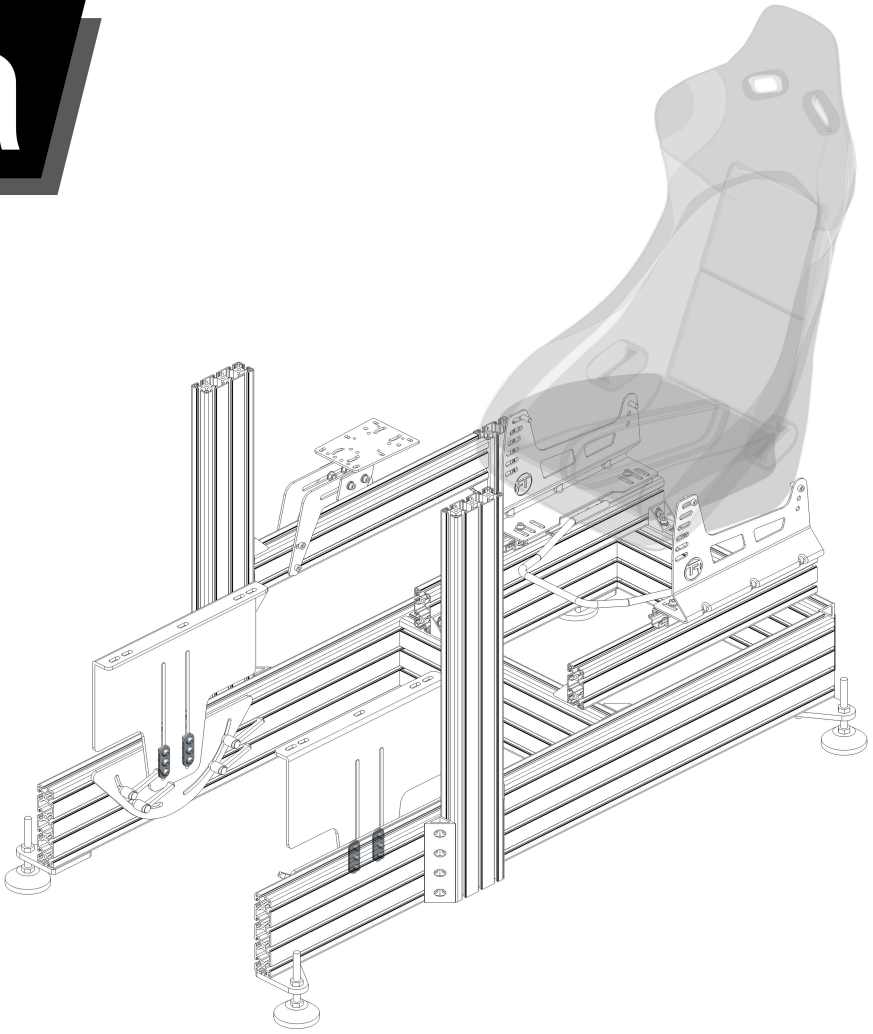


5

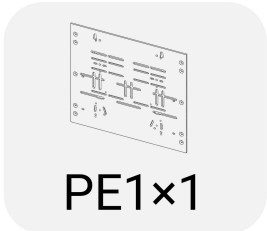
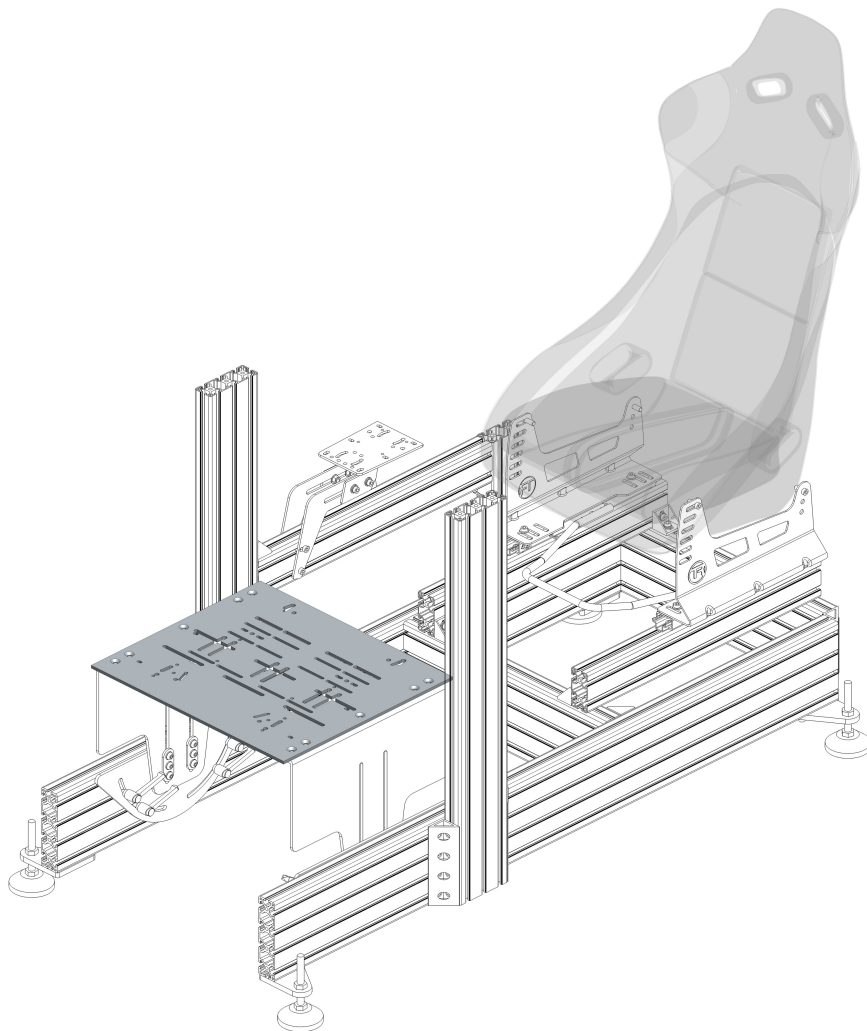


W1×12 W3×4 S1×12 

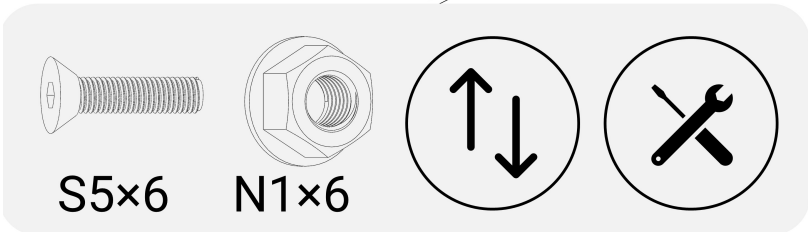
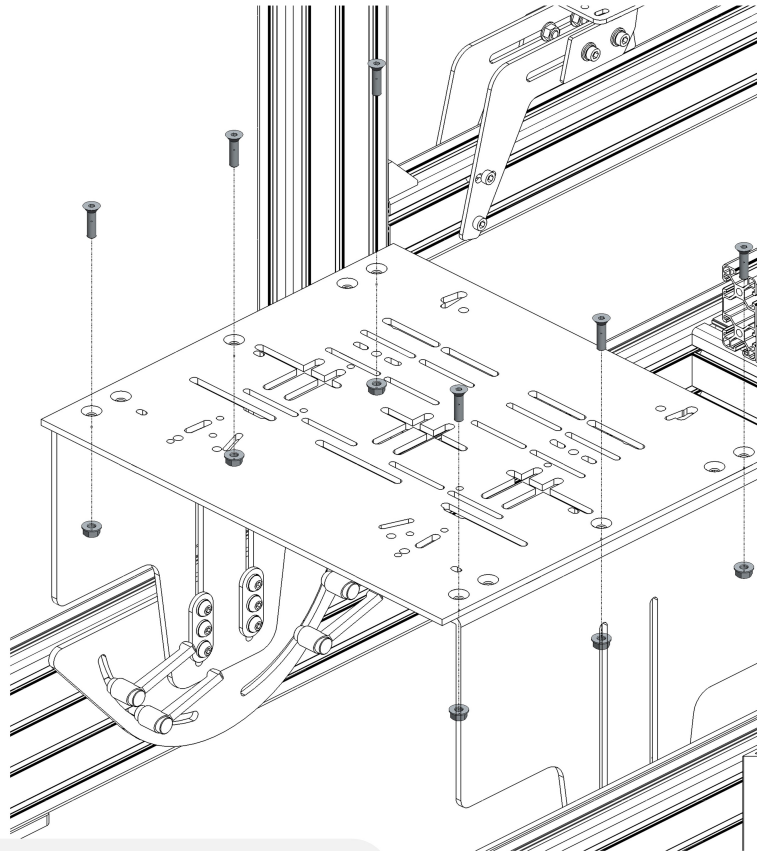
5a



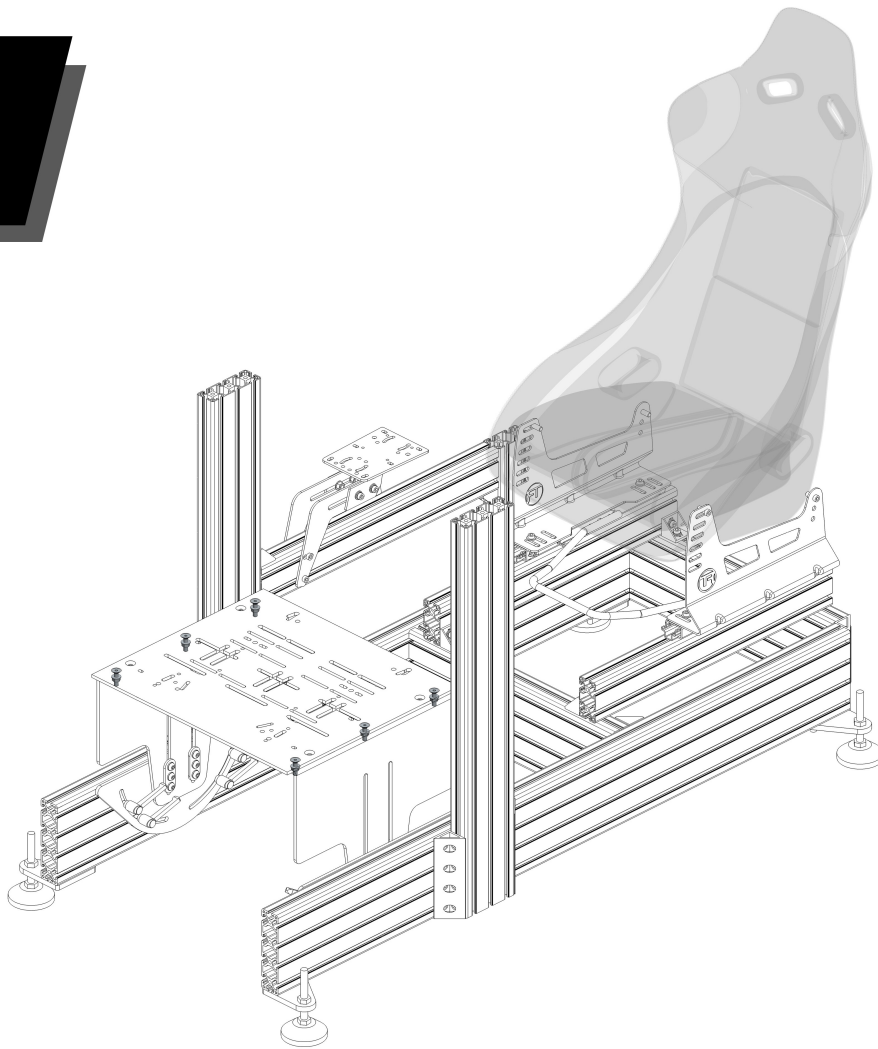
6



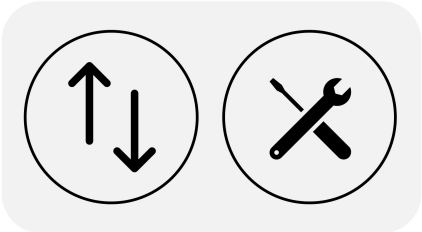
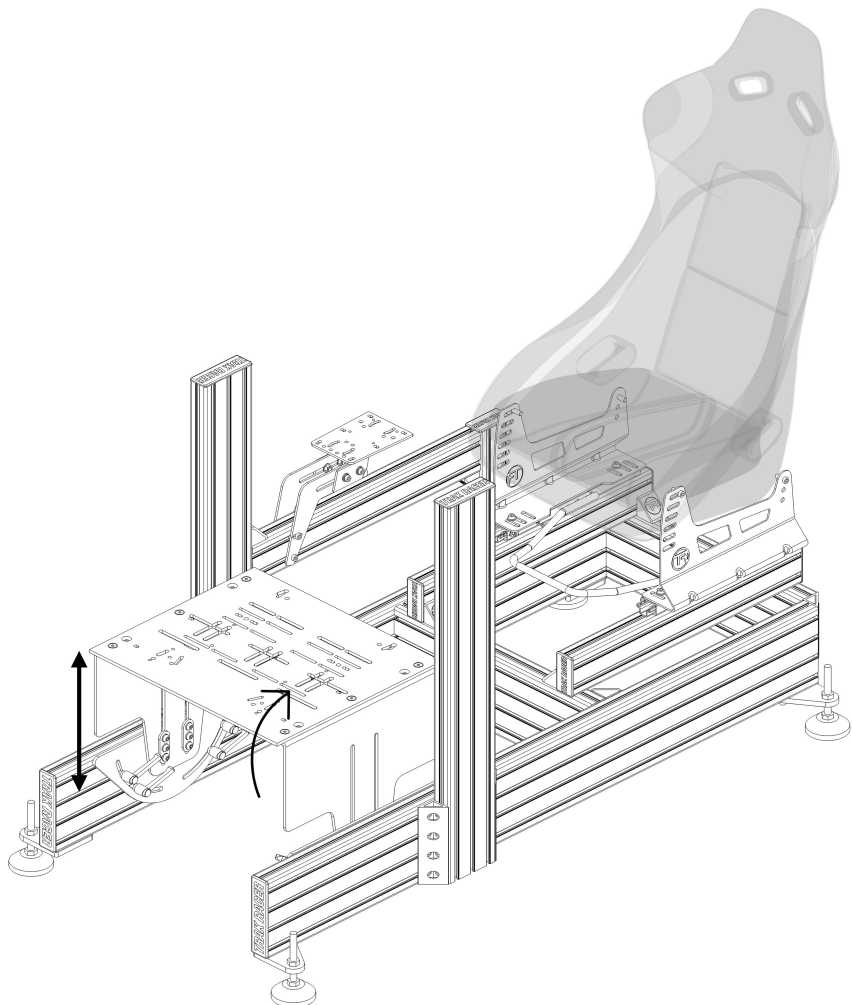
7



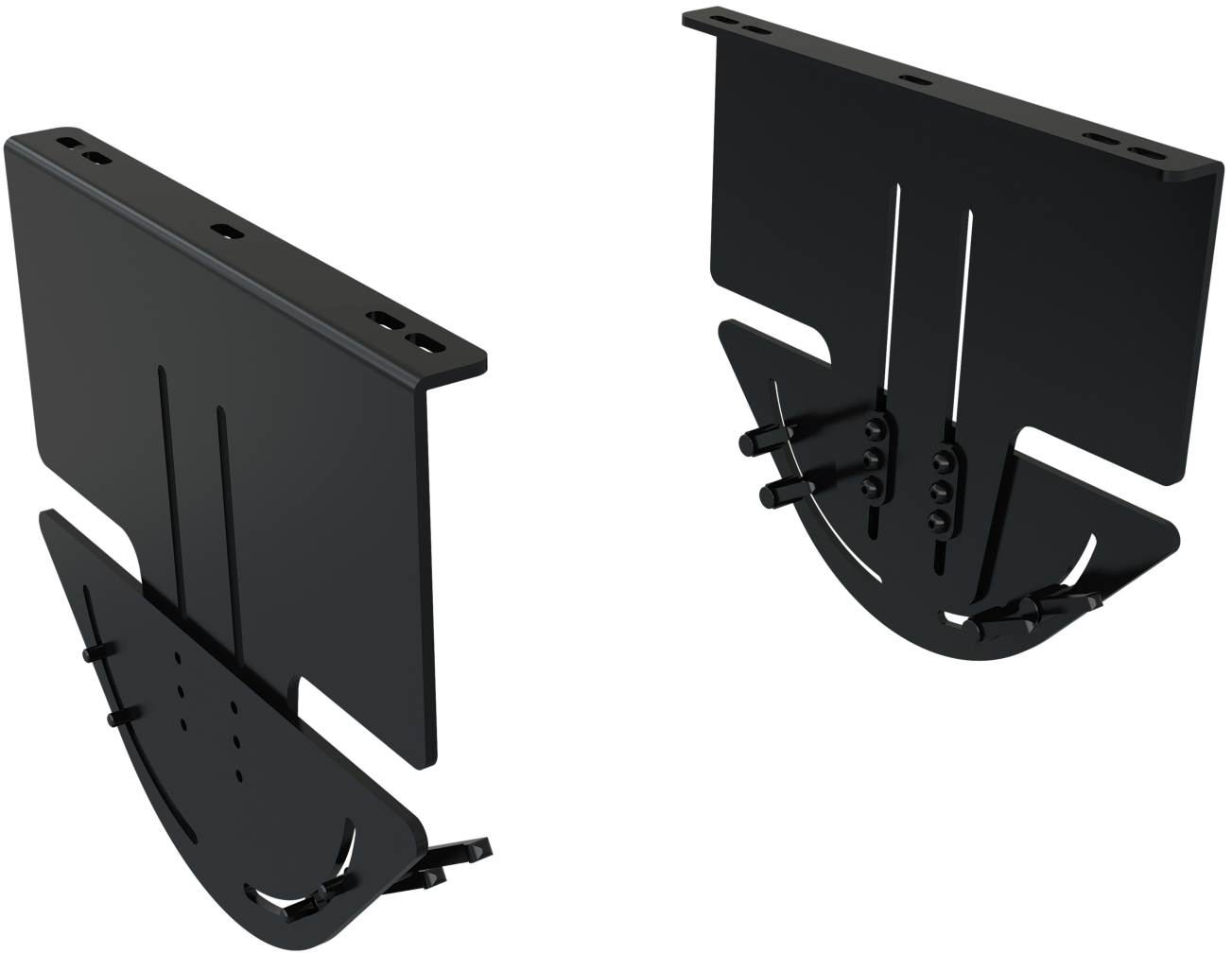
7a



8



FINISHED



Share your build online and tag us to be featured!



@trakracer



@trakracer



@trak_racer