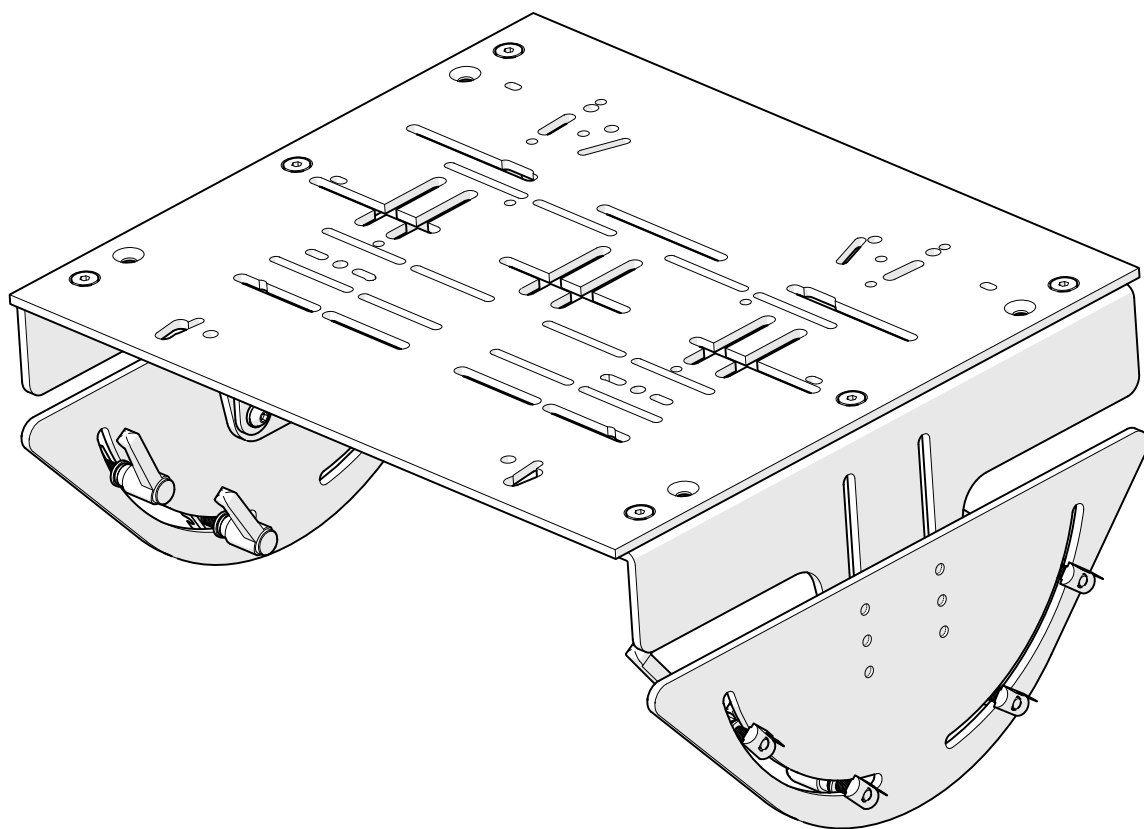


# TR160-PEDALUP-KIT

## Four-way Pedal Mounting System



NOTE: Hardware to attach pedals to plate not included.  
Please use hardware included with your pedal set.

Part #	Description	QTY	Check
<b>BOX #: TR160-PEDALUP3</b>			
SB-M8-16	Screw (Button), M4x16	12	
SL-M8-20	Screw (Handle) M8x20	8	
SF-M8-25	Screw (Flat), M8x25	6	
NS-M8	T-Nut (Spring), M8	8	
NF-M8	Nut (Flange), M8	6	
WF-M8	Washer (Flat), M8	20	
WL-M8	Washer (Lock), M8	8	
WP-M8	Wash (Pedal Plate), M8	4	
PP-80-TP	Pedal Plate, TR80 Top Plate	1	
PP-160-SM	Pedal Plate, TR160 Side Mount	2	
PP-160-FM	Pedal Plate, TR160 Face Mount	2	

\* NOTE: Extra hardware may be included as spare parts

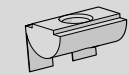
# TR160-PEDALUP3



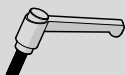
## TRAK RACER

Published 2022-06-04

# 1



NS-M8 x8



SL-M8-20 x8



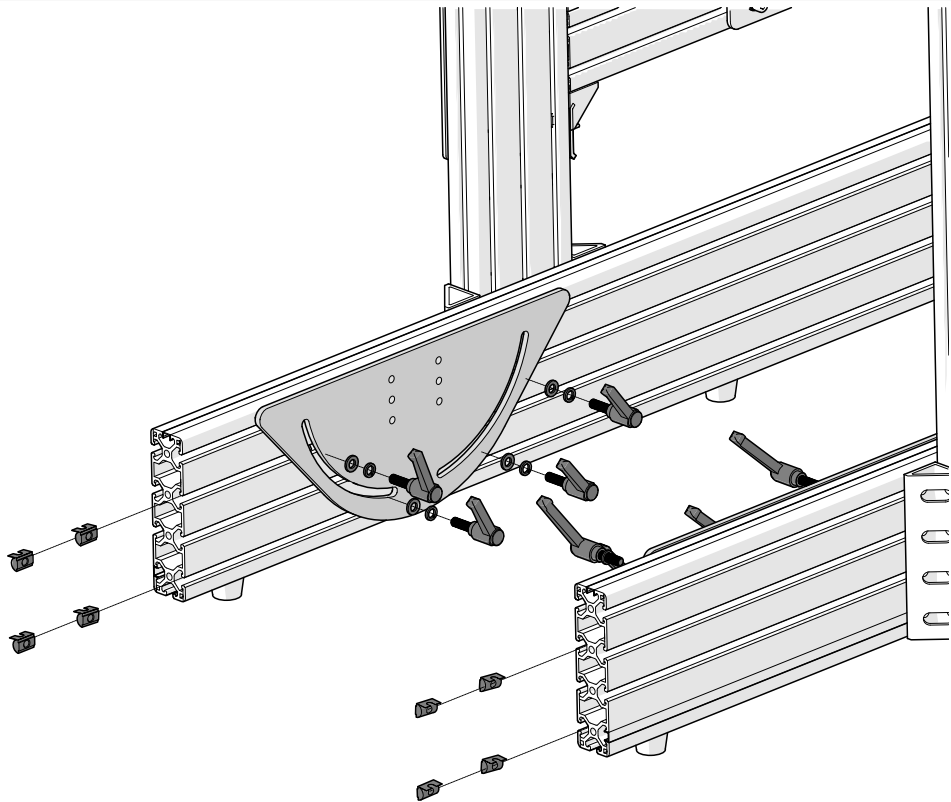
WL-M8 x8



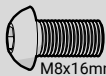
WF-M8 x8



PP-160-SM x2



# 2

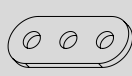


M8x16mm

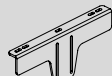
SB-M8-16 x12



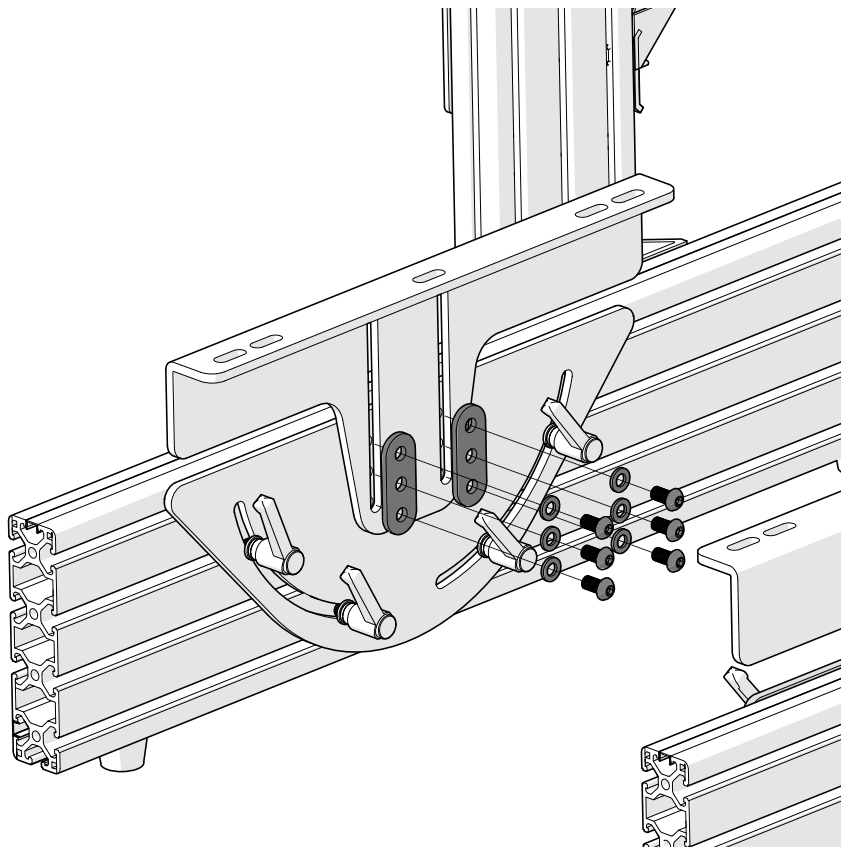
WF-M8 x12



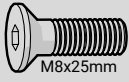
WP-M8 x4



PP-160-FM x2



# 3



M8x25mm

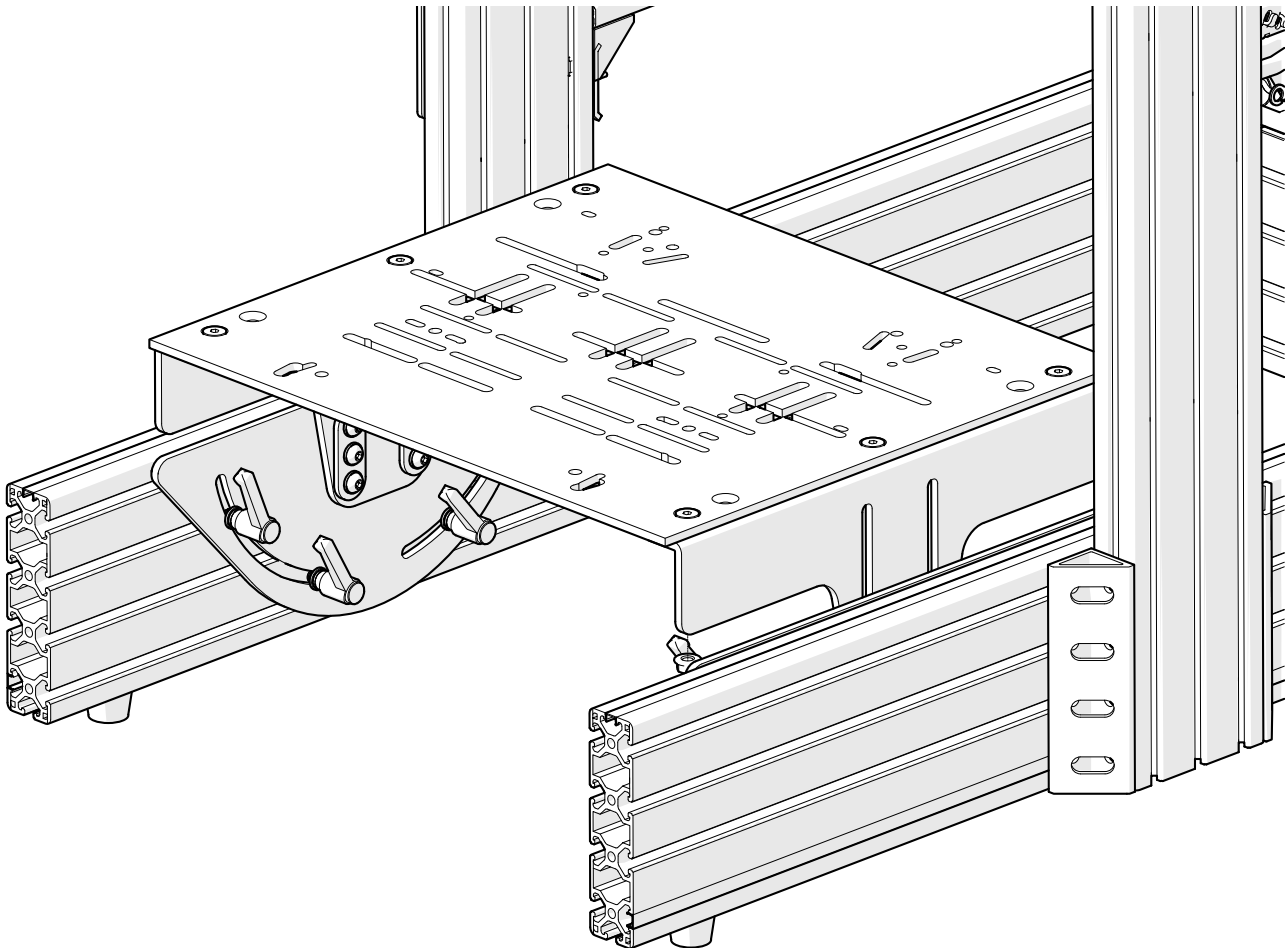
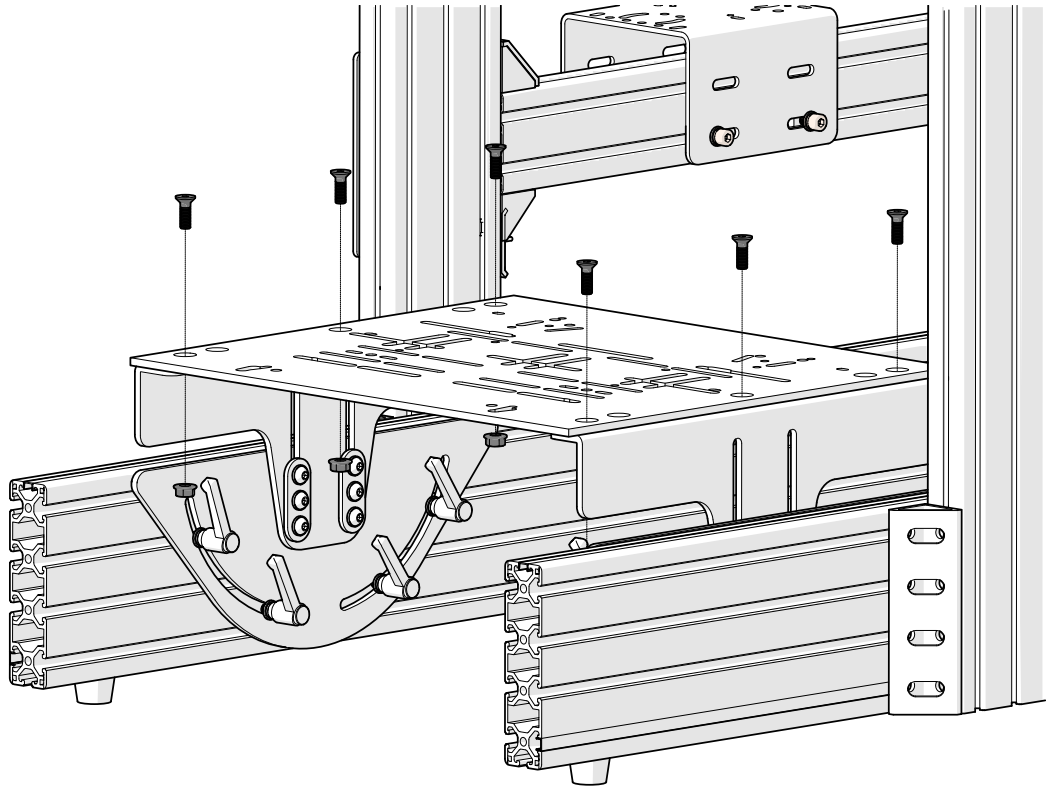
SF-M8-25 x6



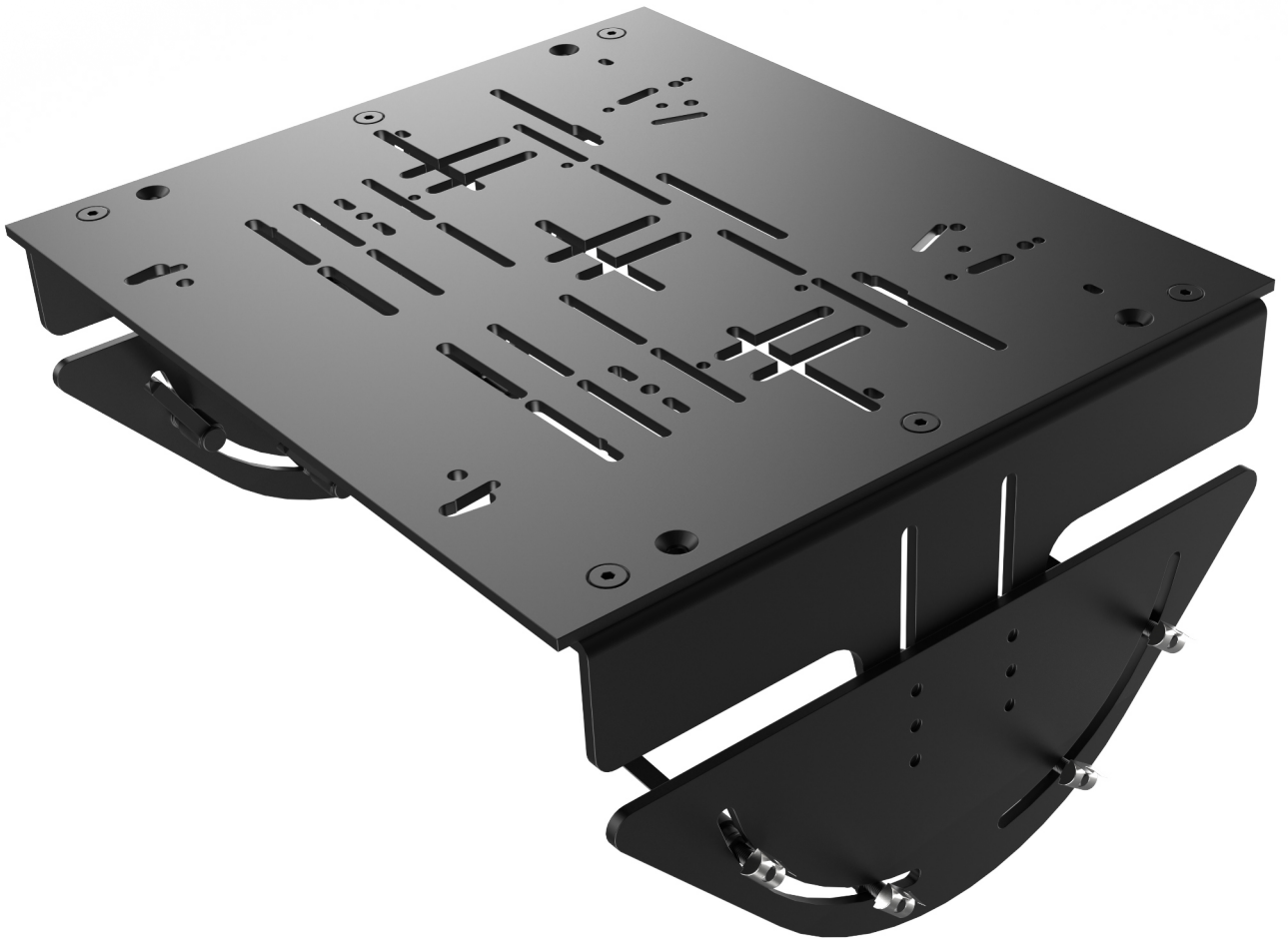
NF-M8 x6



PP-80-TP x1



# FINISHED



**Share your build online and tag us to be featured!**



@trakracer



@trakracer



@trak\_racer