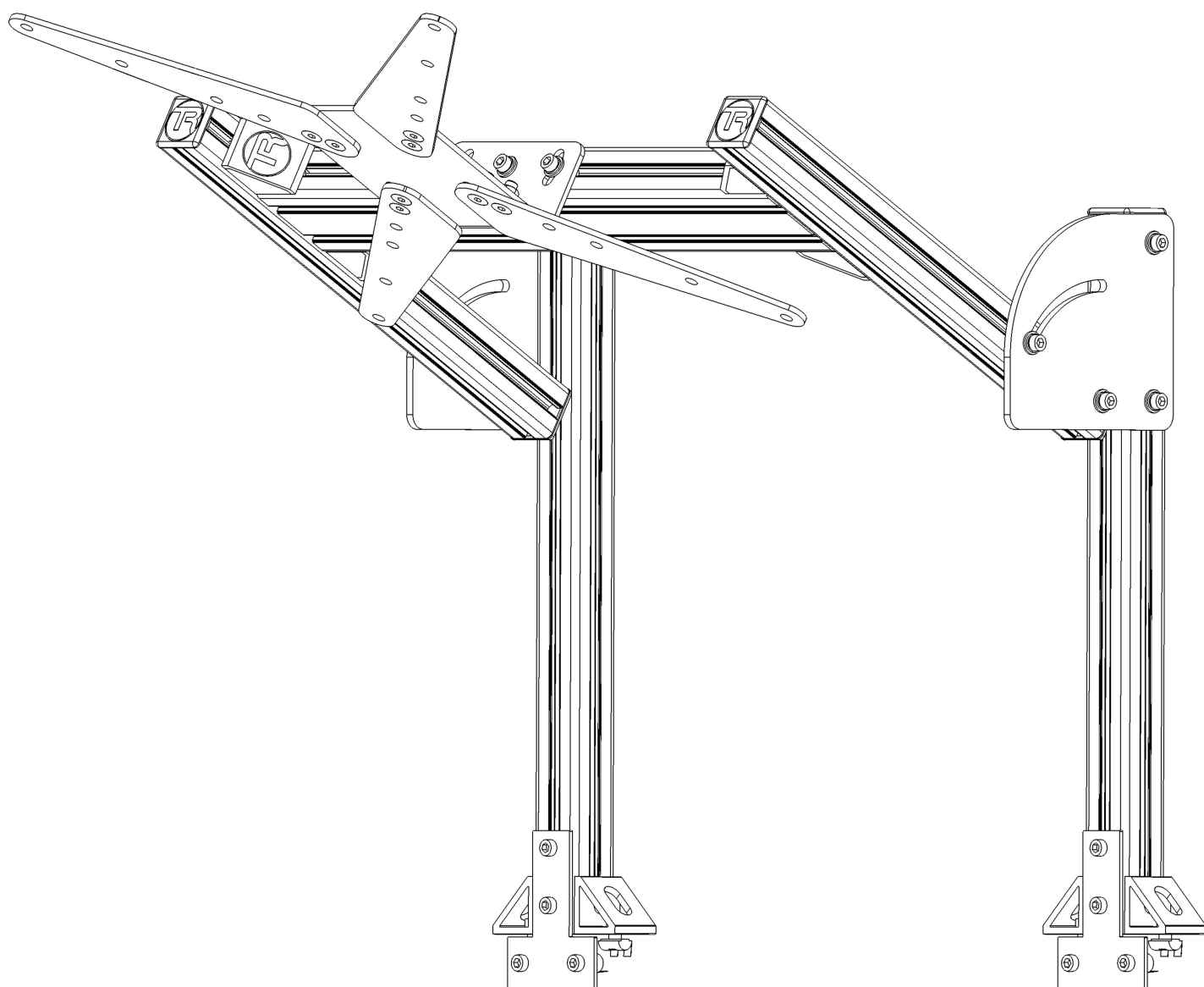


ALUMINIUM QUAD MONITOR STAND ADD-ON WITH VESA MOUNT

Instruction manual

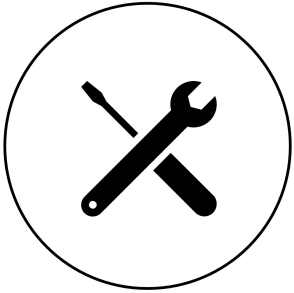


TR80-4M3

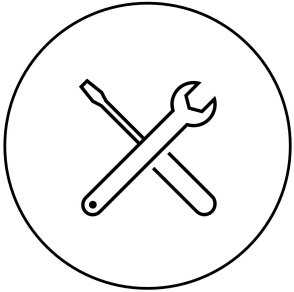
 **TRAK RACER**



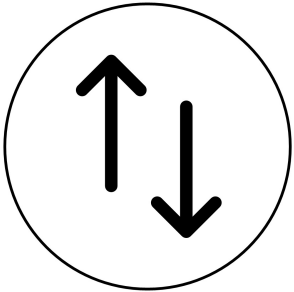
- Two people needed



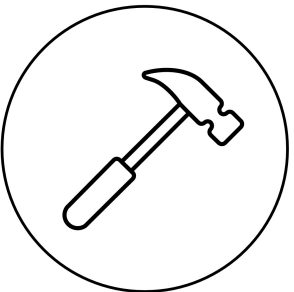
- Tighten hardware



- Leave hardware loose for adjustment



- Make Adjustment

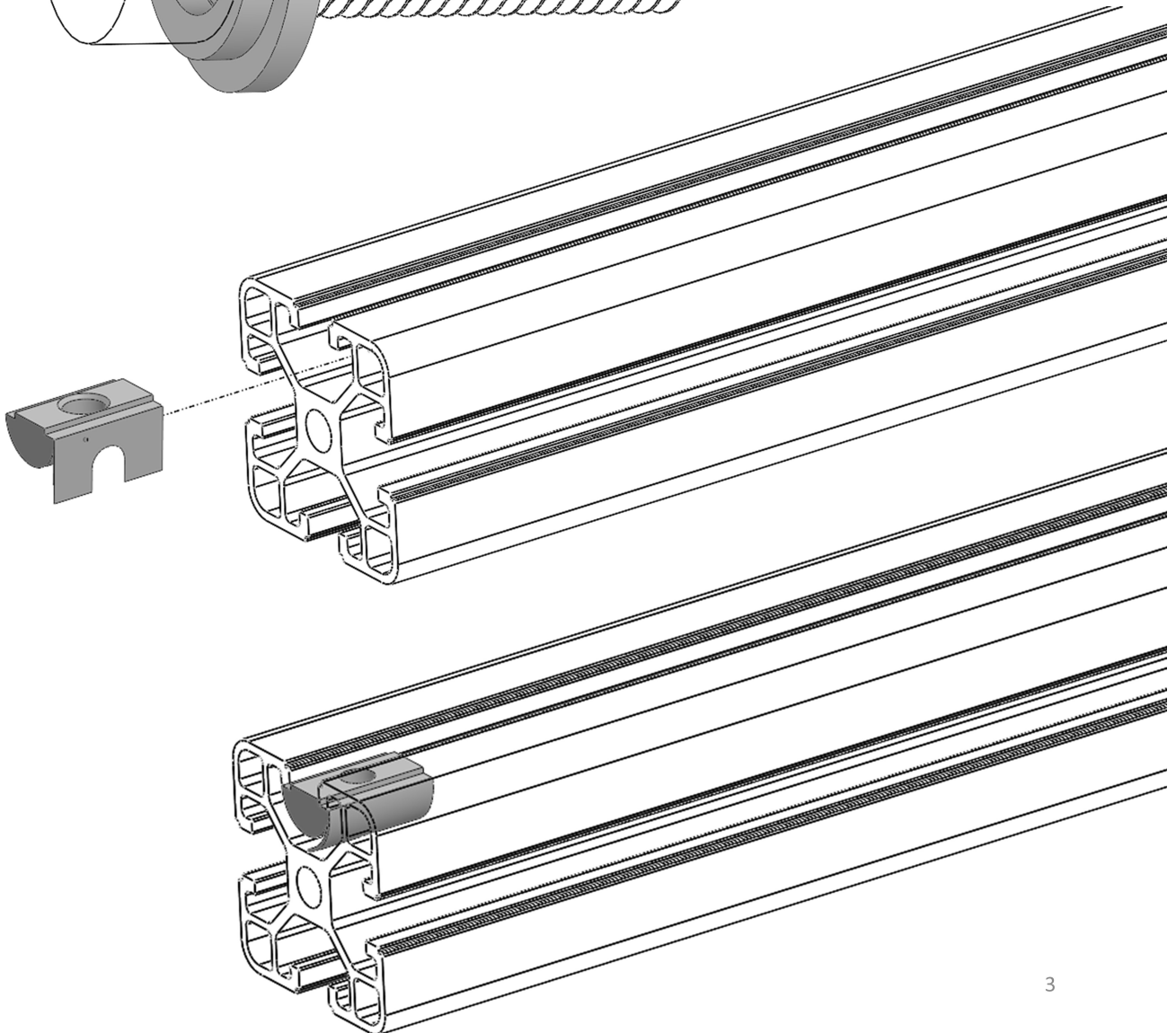
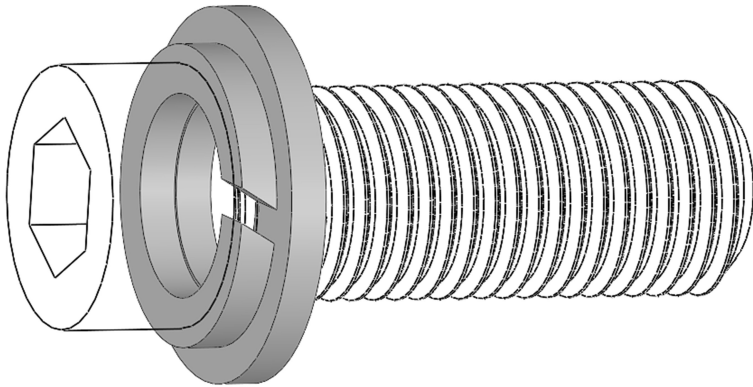
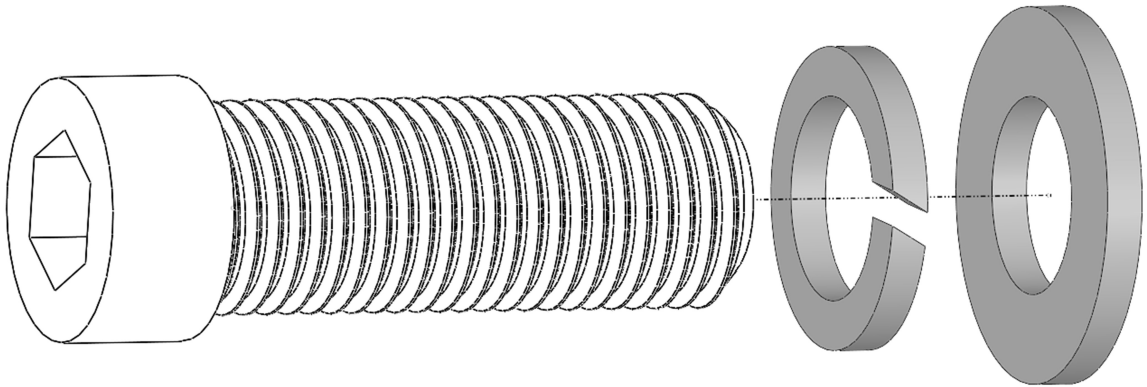


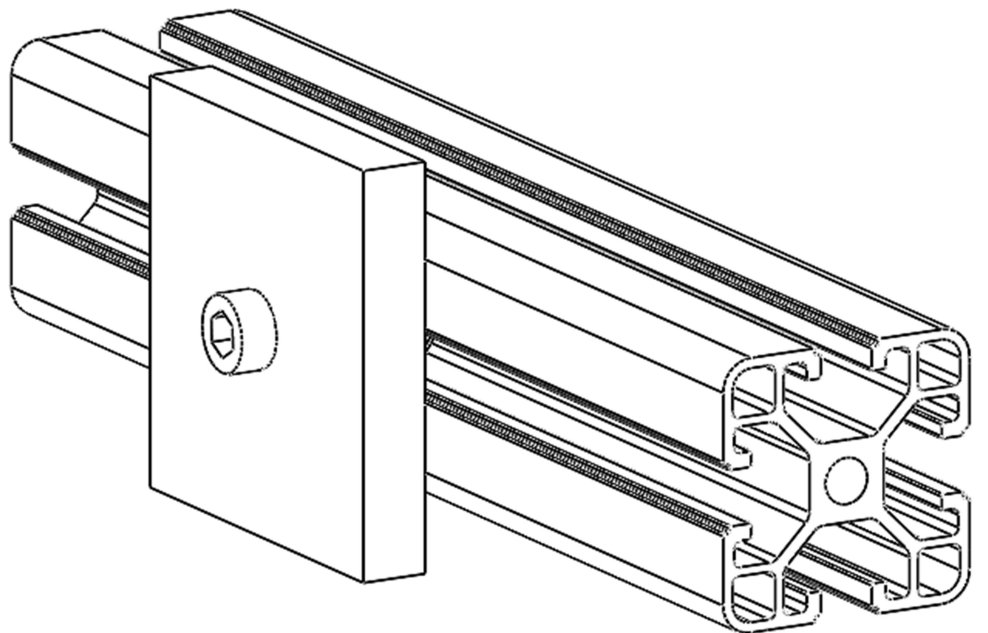
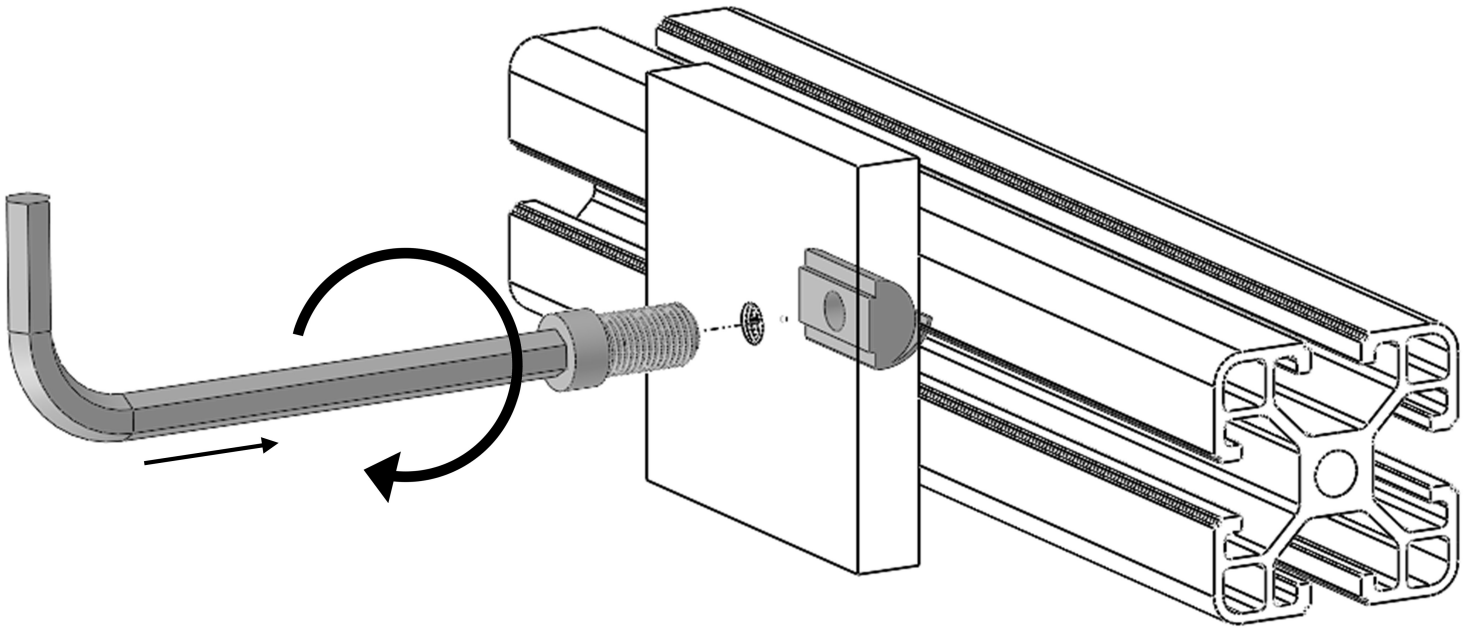
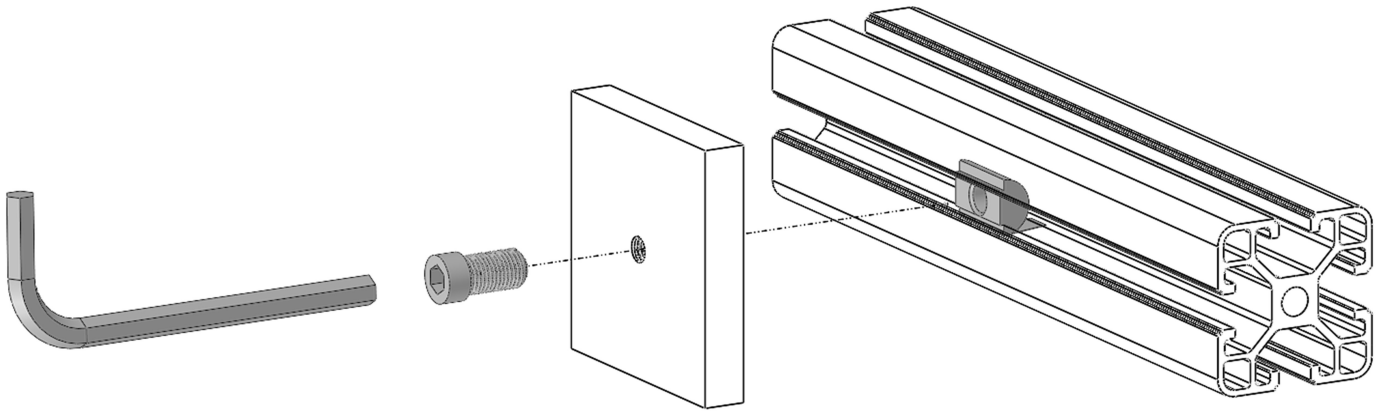
- Break tab off Corner bracket CB1
(Page 6)



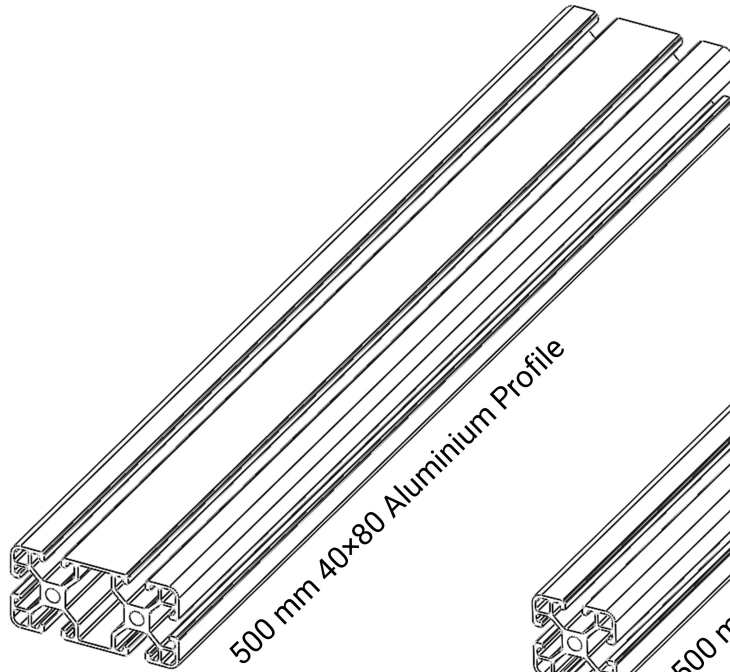
- Safety glasses needed

NOTE

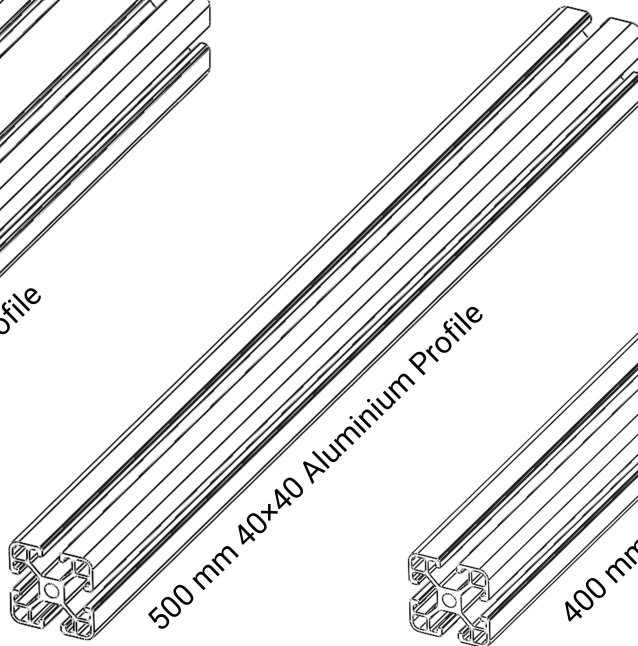




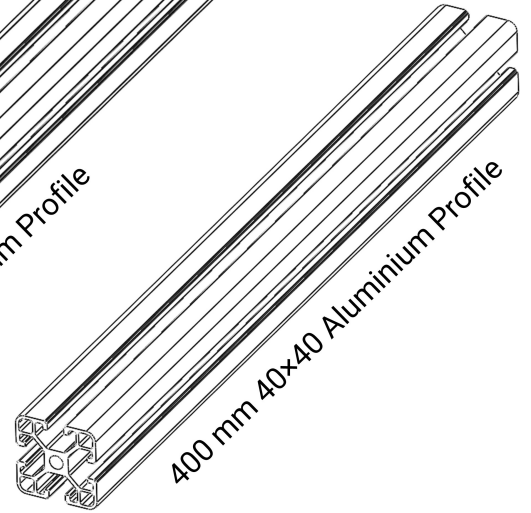
TR80-4M3



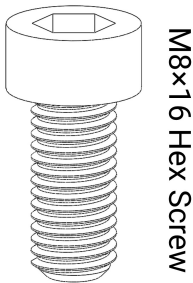
P10 x 1



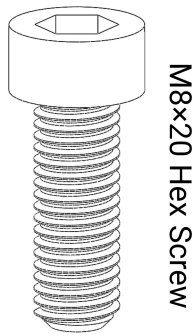
P11 x 2



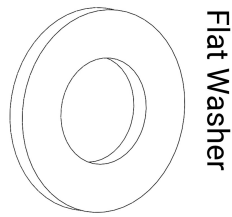
P12 x 2



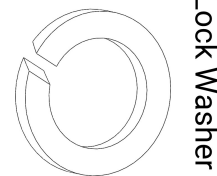
S2 x 16



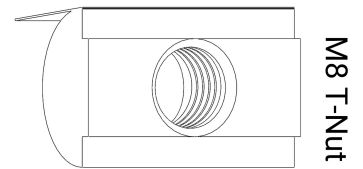
S3 x 10



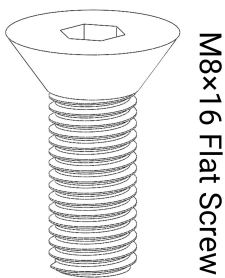
W1 x 27



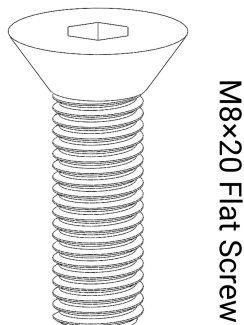
W2 x 19



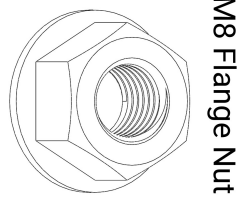
N2 x 35



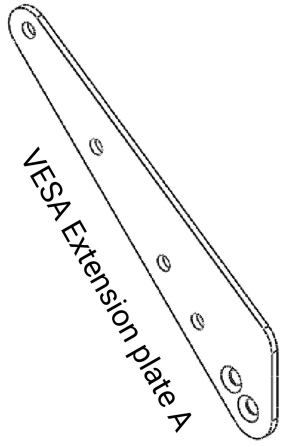
S10 x 8



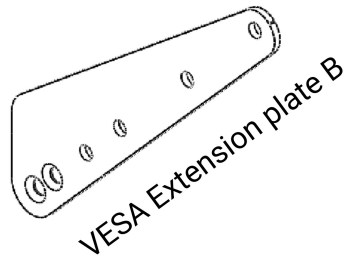
S9 x 3



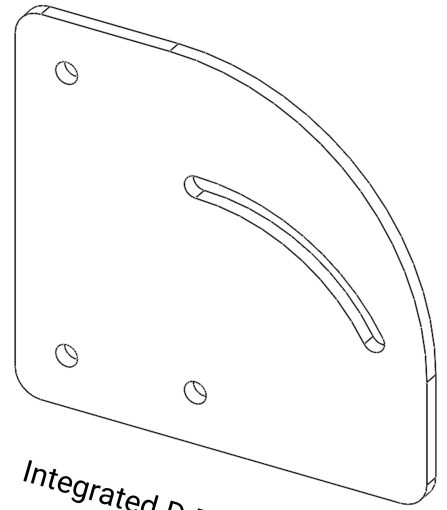
N1 x 8



V3A × 4

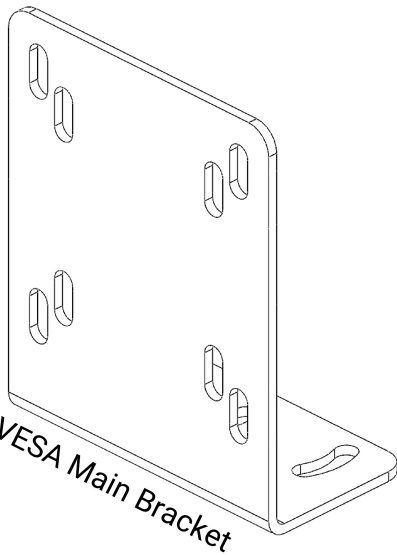


V3B × 4



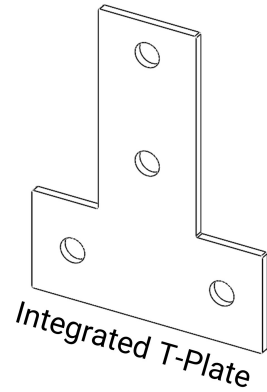
Integrated D-Plate

DP × 2



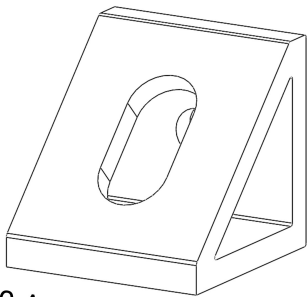
VESA Main Bracket

V3 × 2



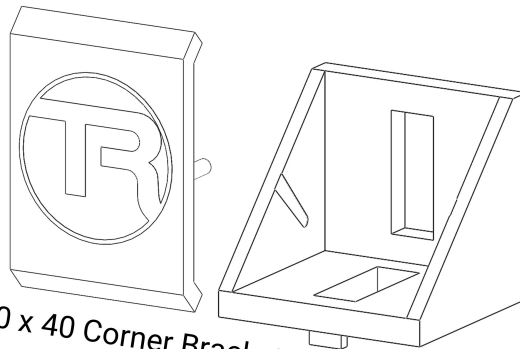
Integrated T-Plate

TP × 2



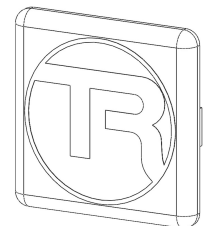
40 x 40 Anodized Corner Bracket

CB5 × 4



40 x 40 Corner Brackets with Cap

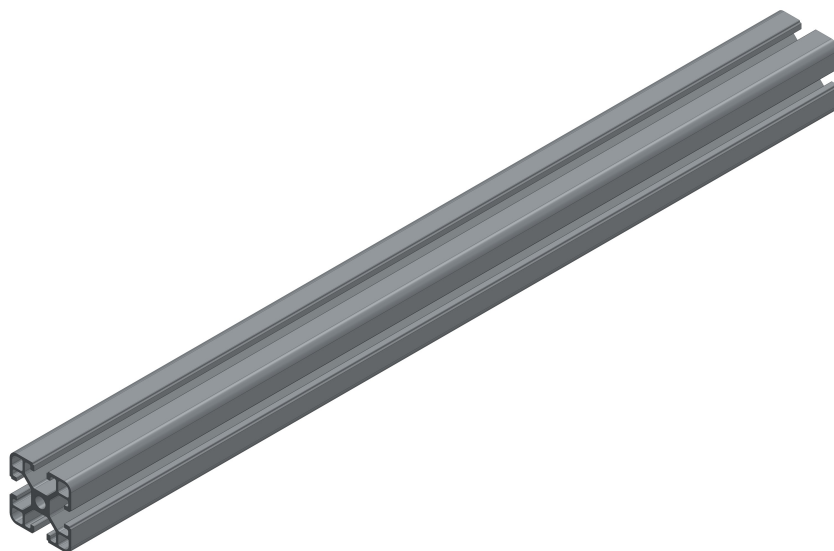
CB1 × 4



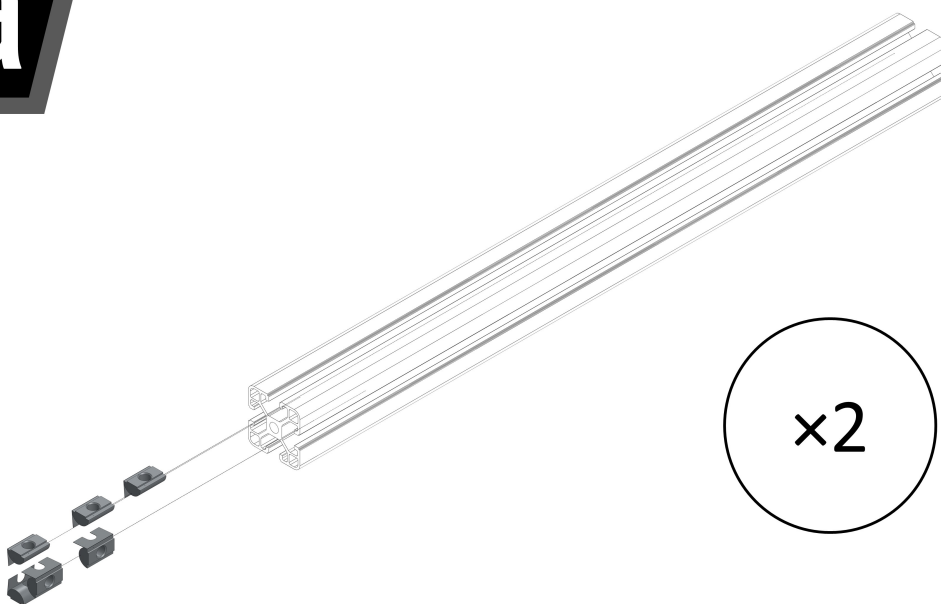
40 x 40 Profile End Cap

E4 × 6

1



1a

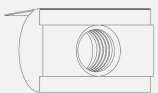
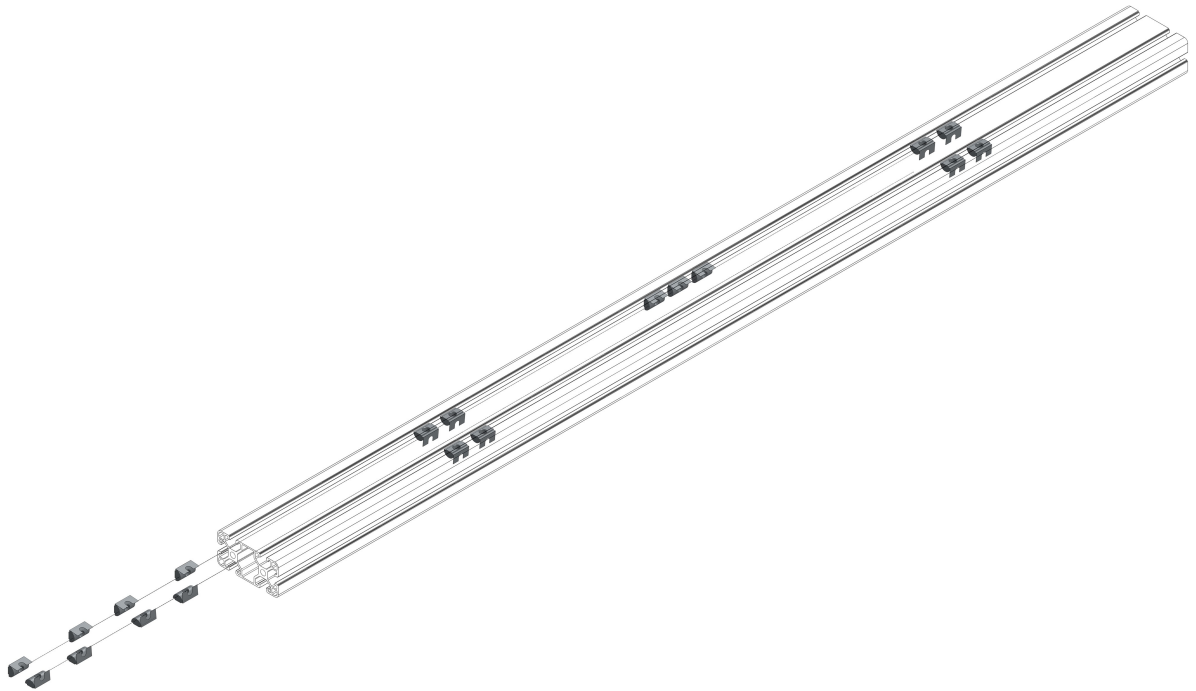


1b



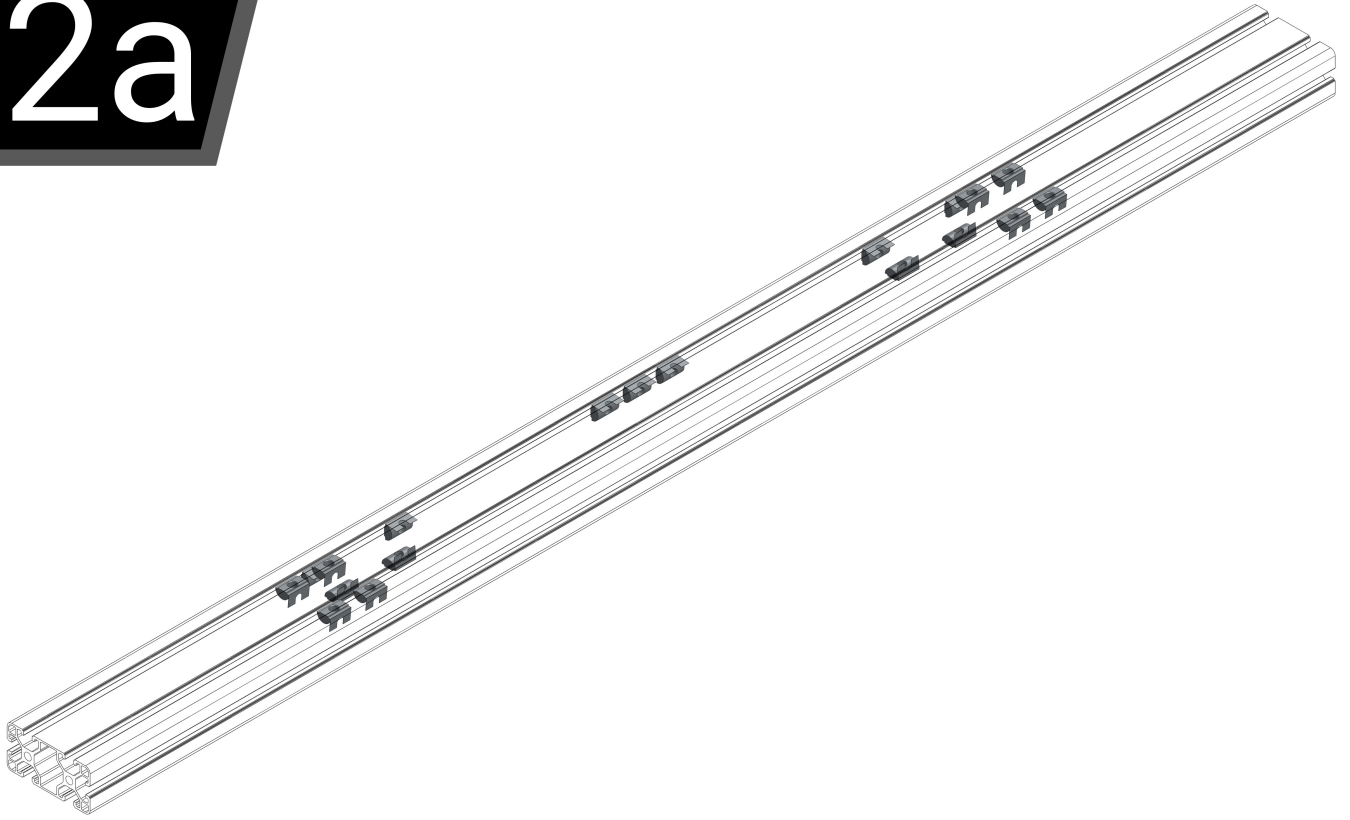
2

Note: Insert N2 into TR80-TMSIN4/TR80-TMSML3 in preparation for step 3a & 5a

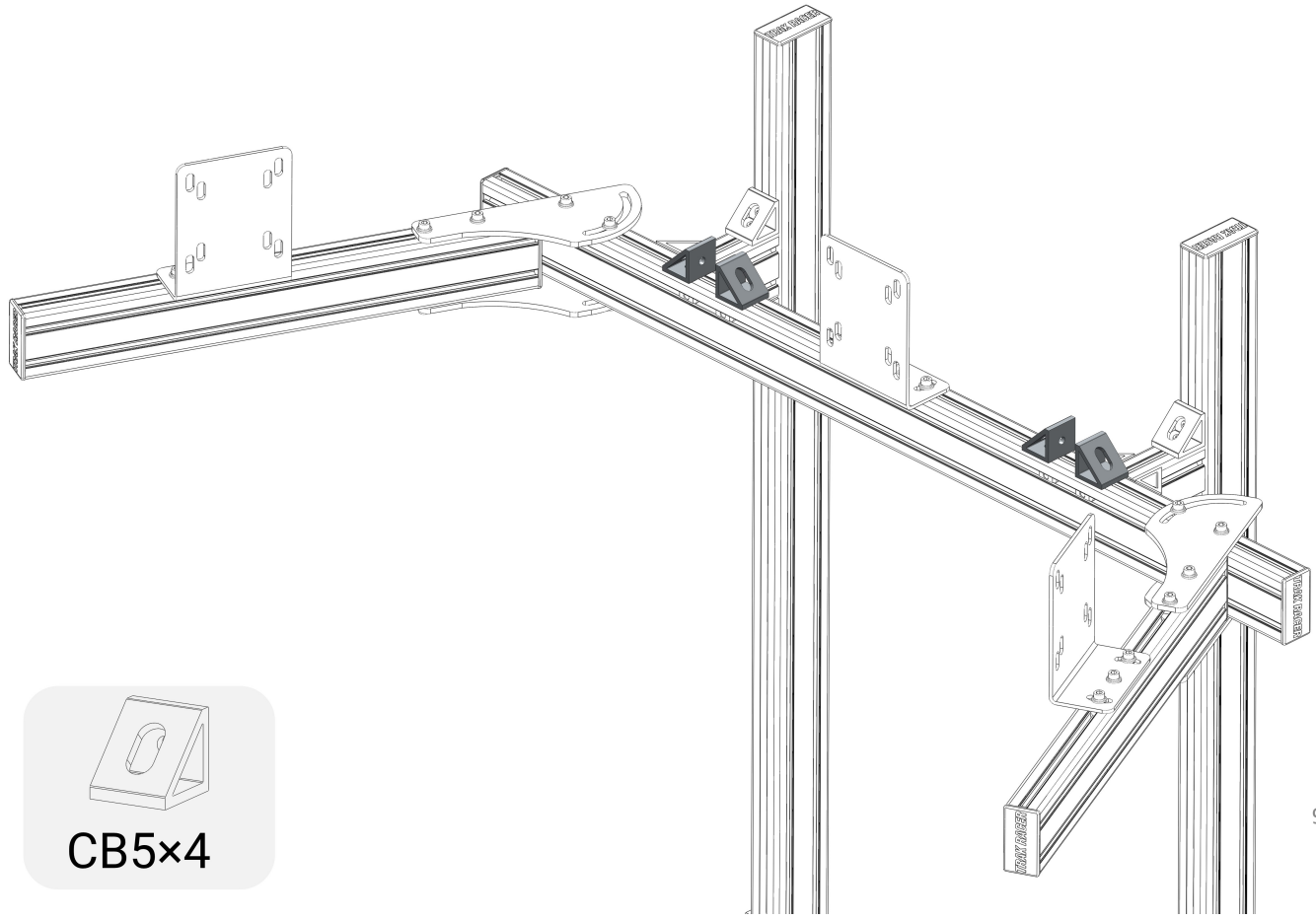


N2x8

2a

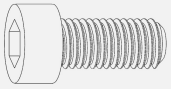
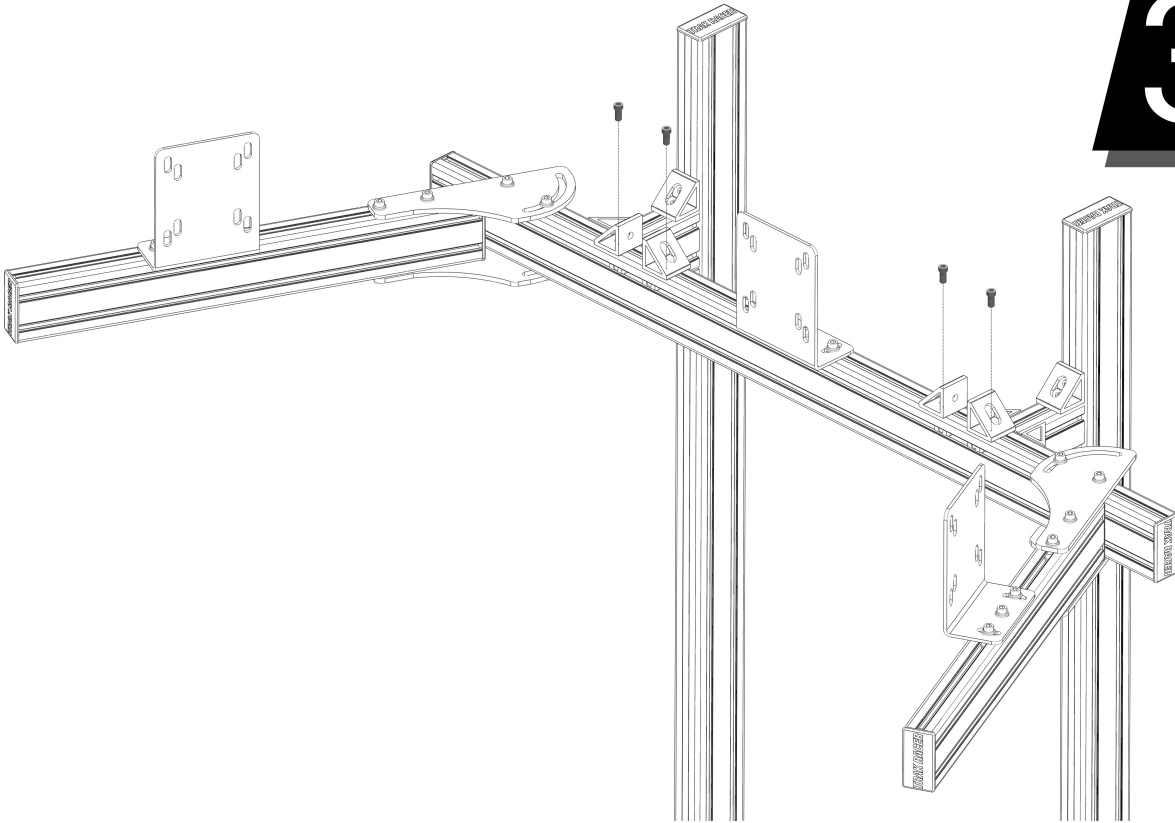


3



CB5x4

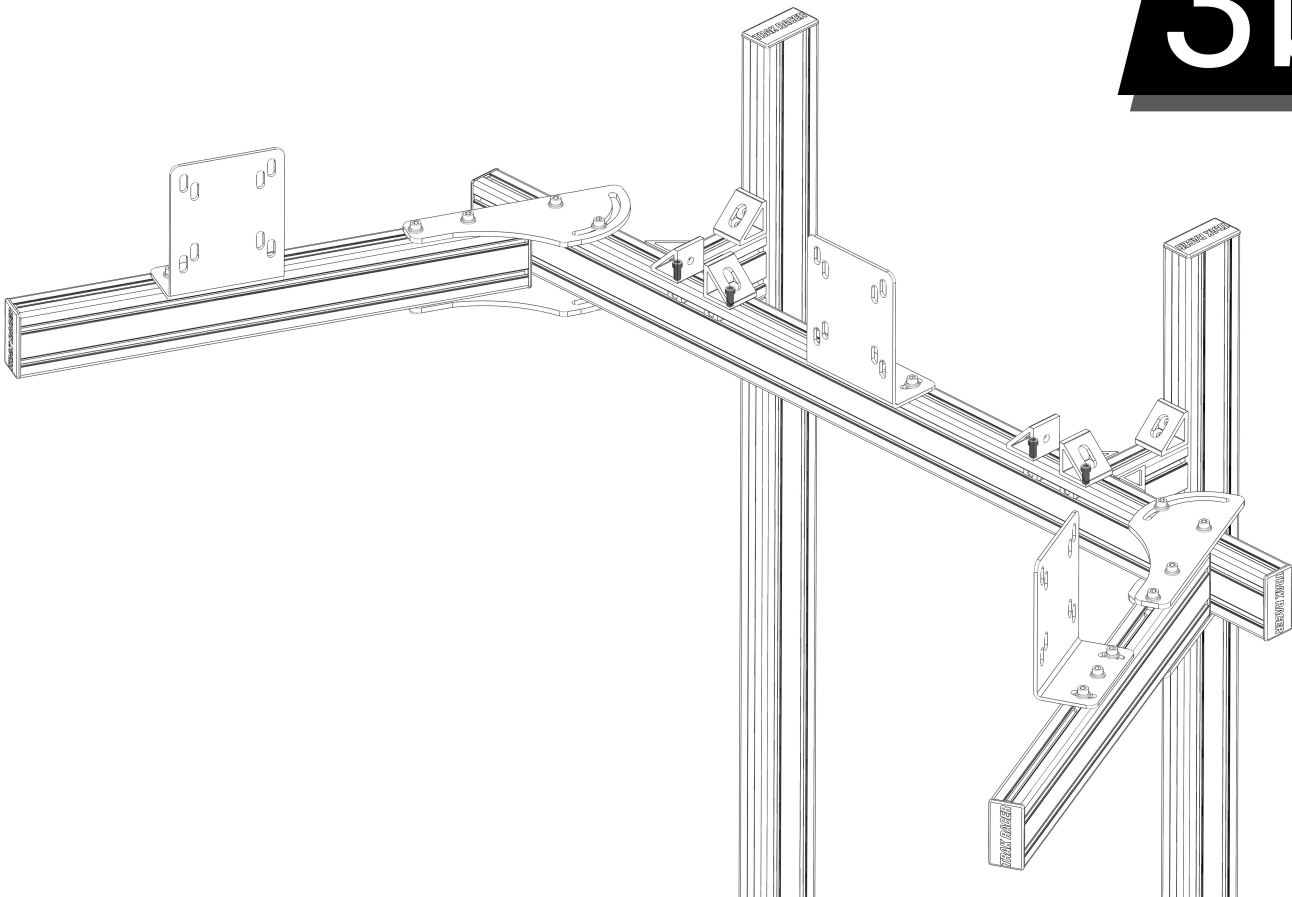
3a



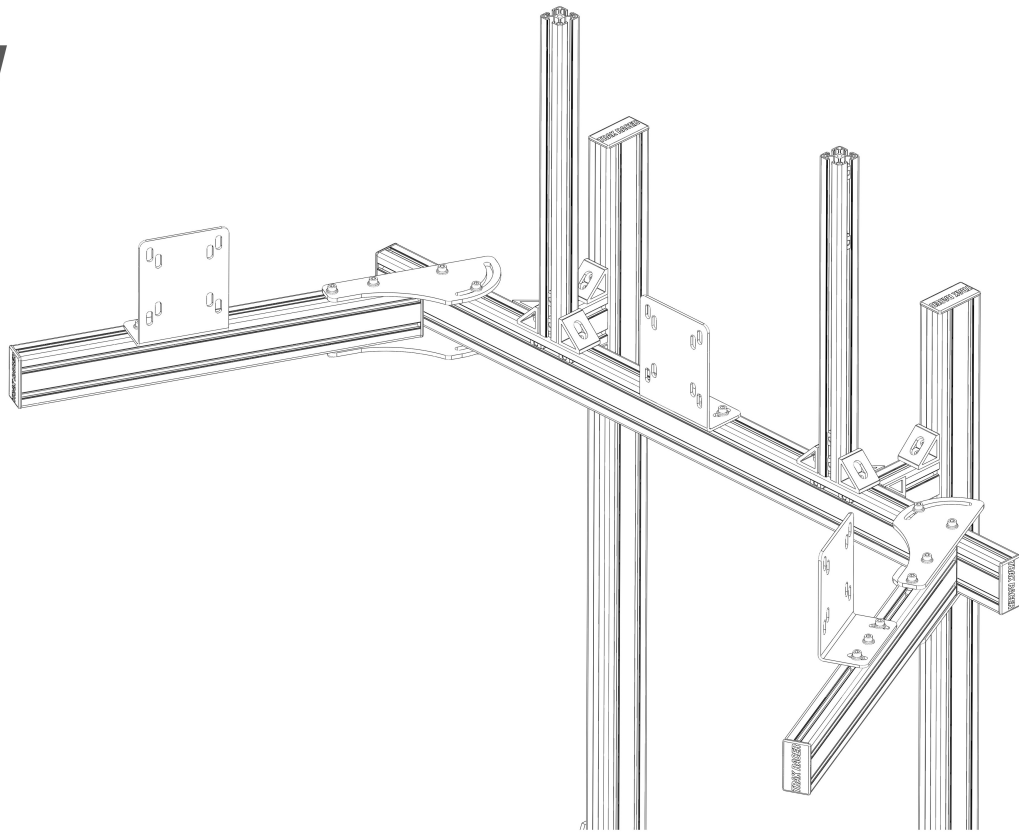
S2x4



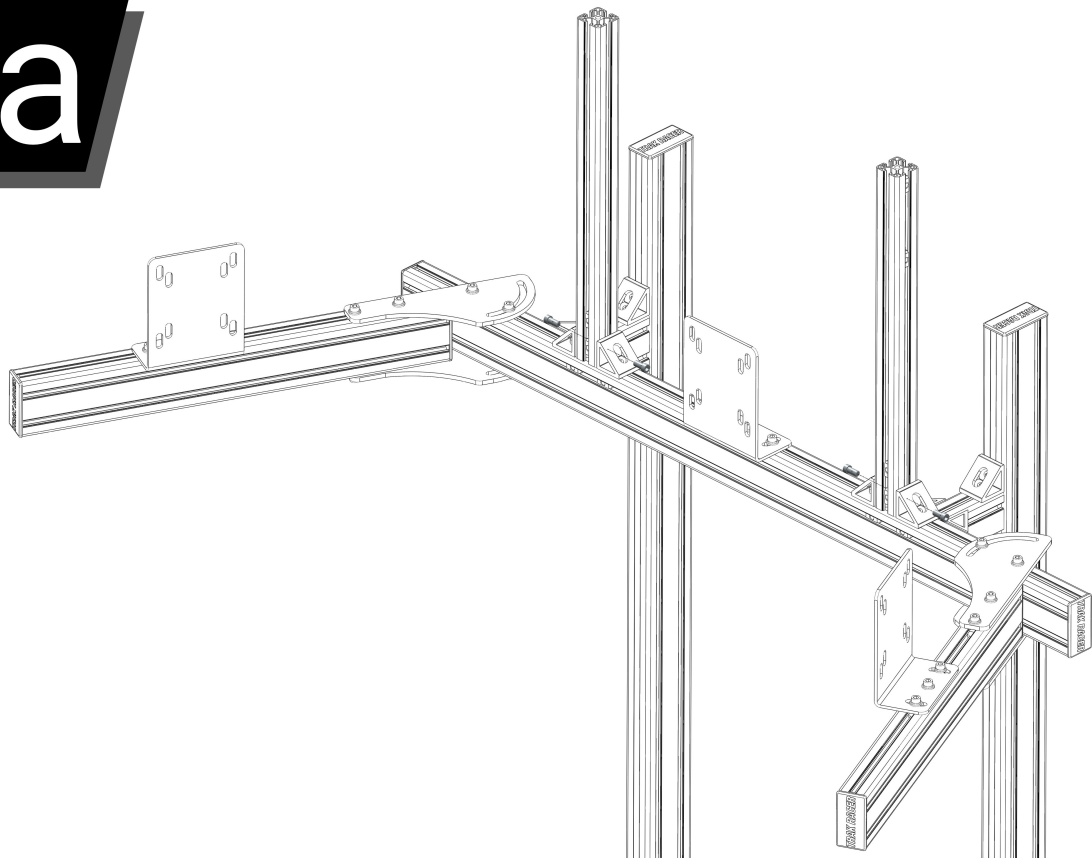
3b

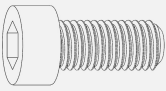



4

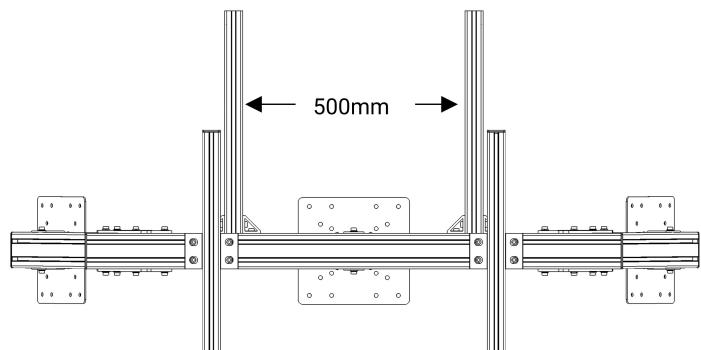


4a

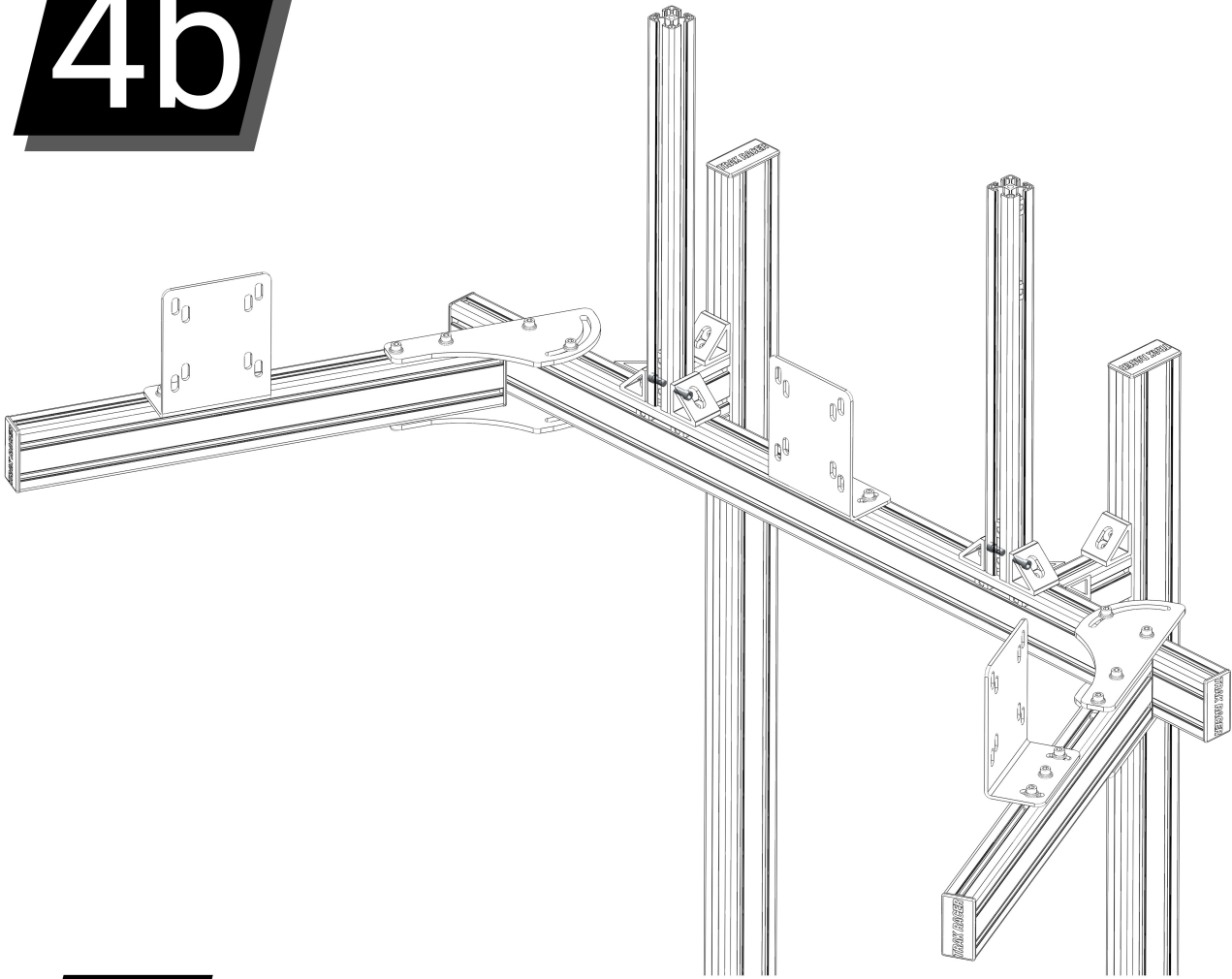



S2x4

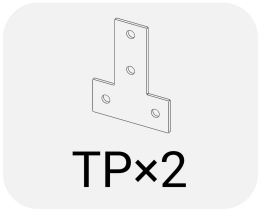
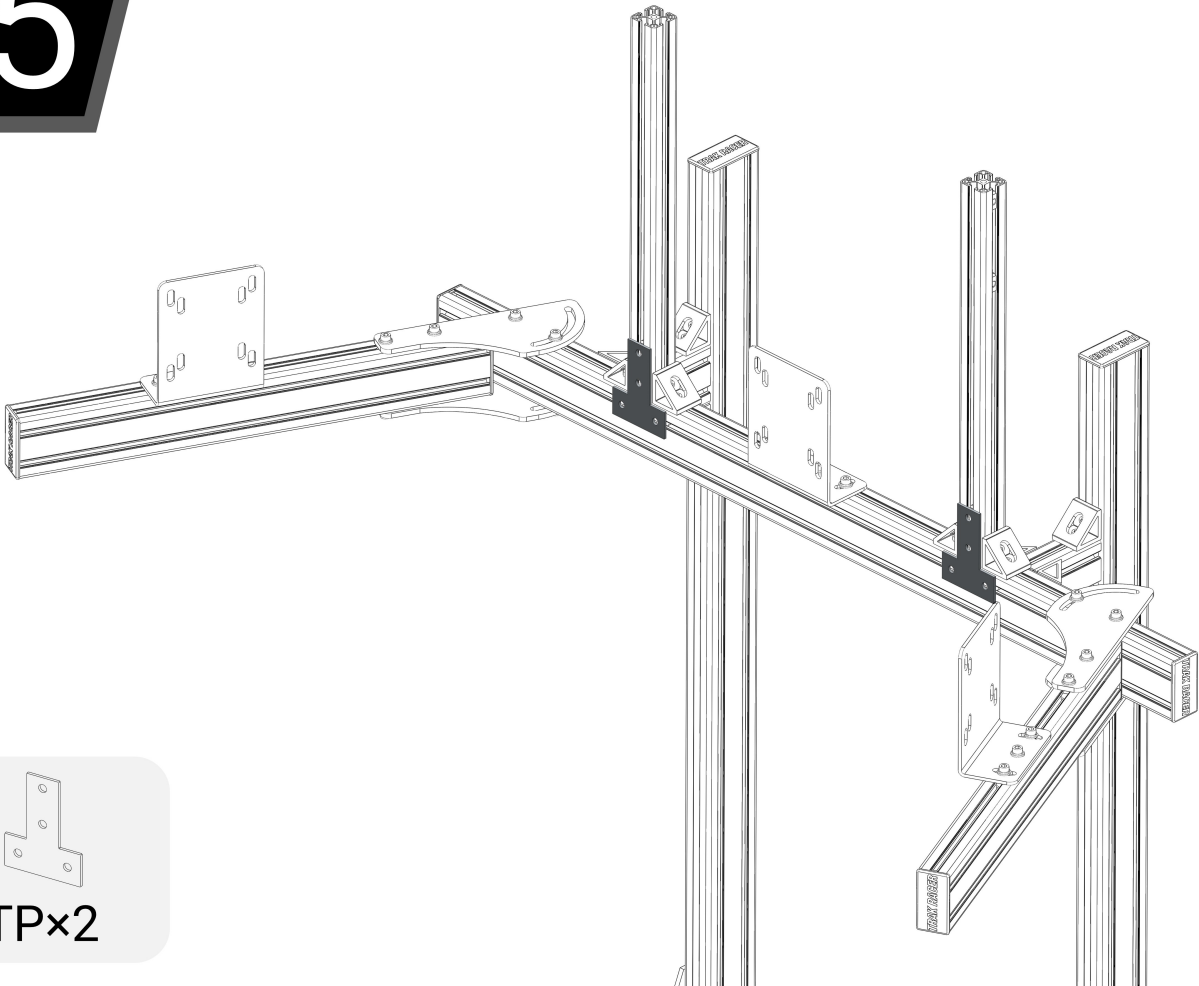




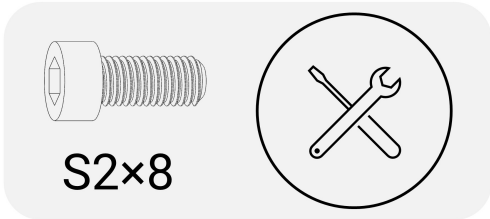
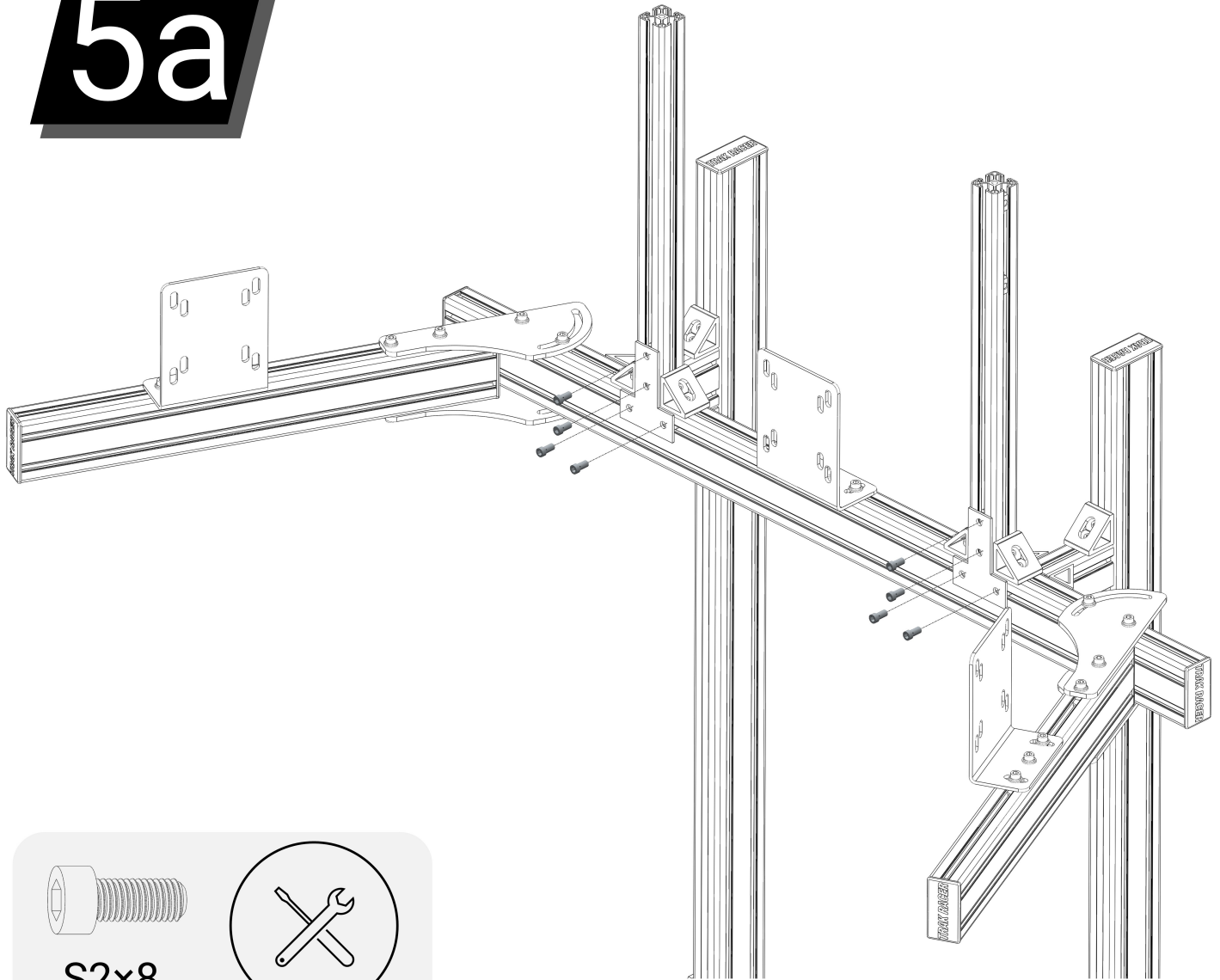
4b



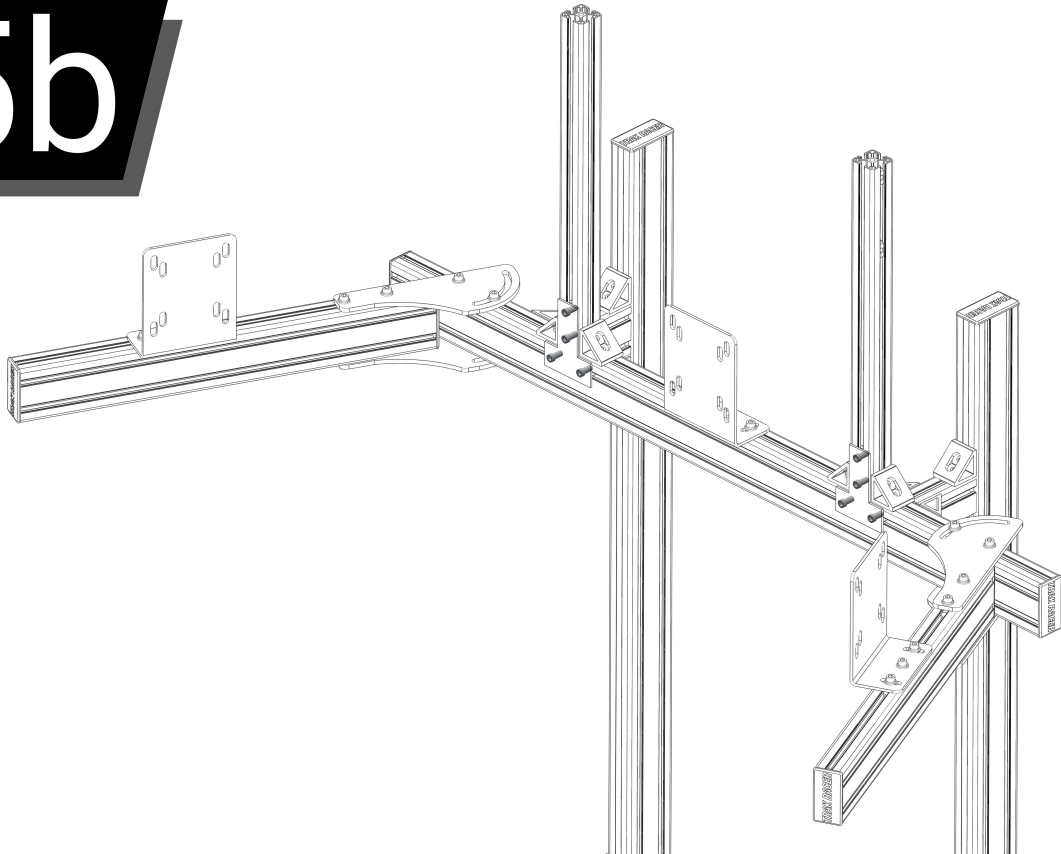
5



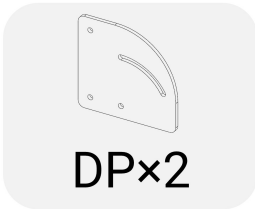
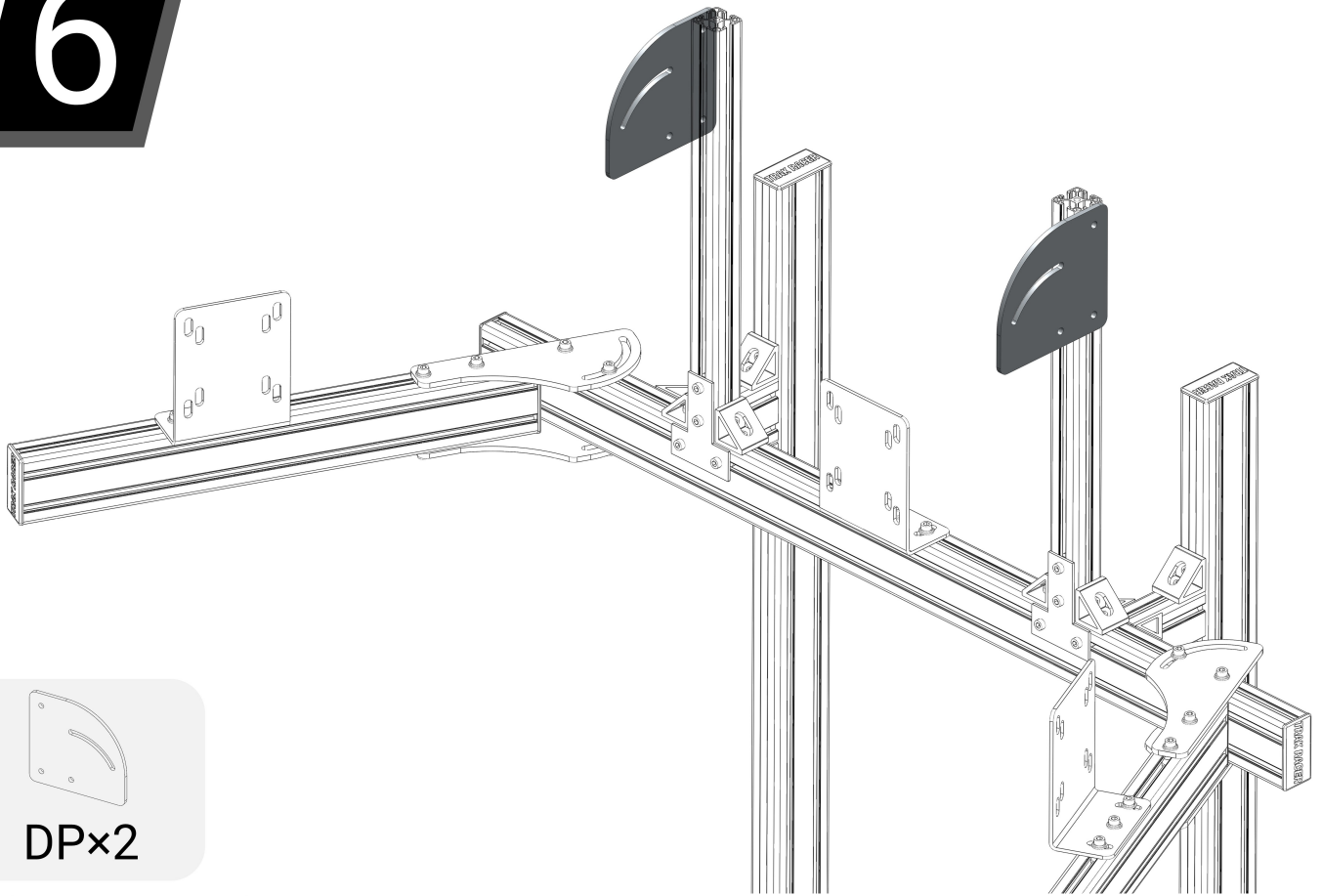
5a



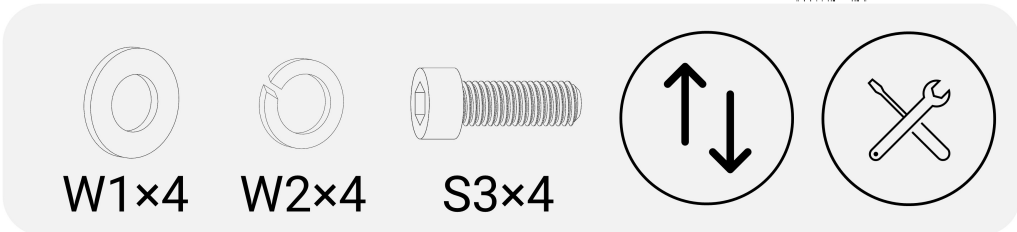
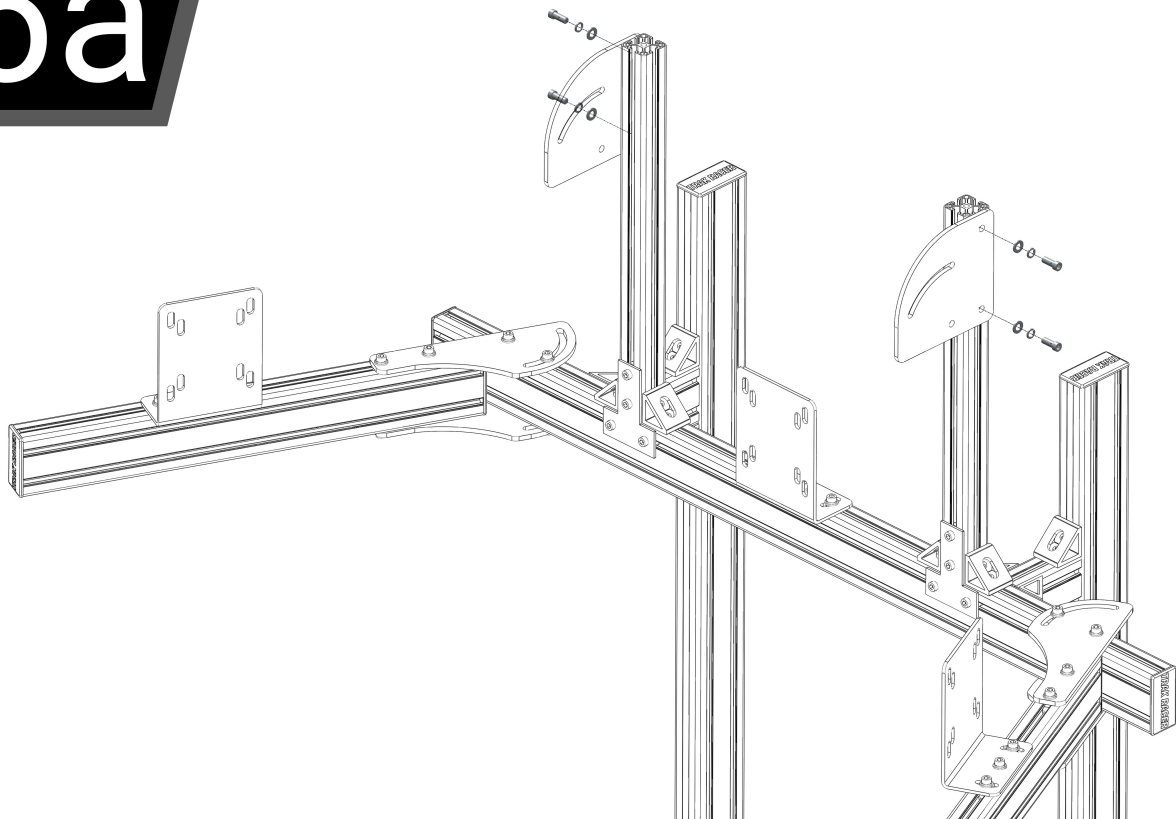
5b



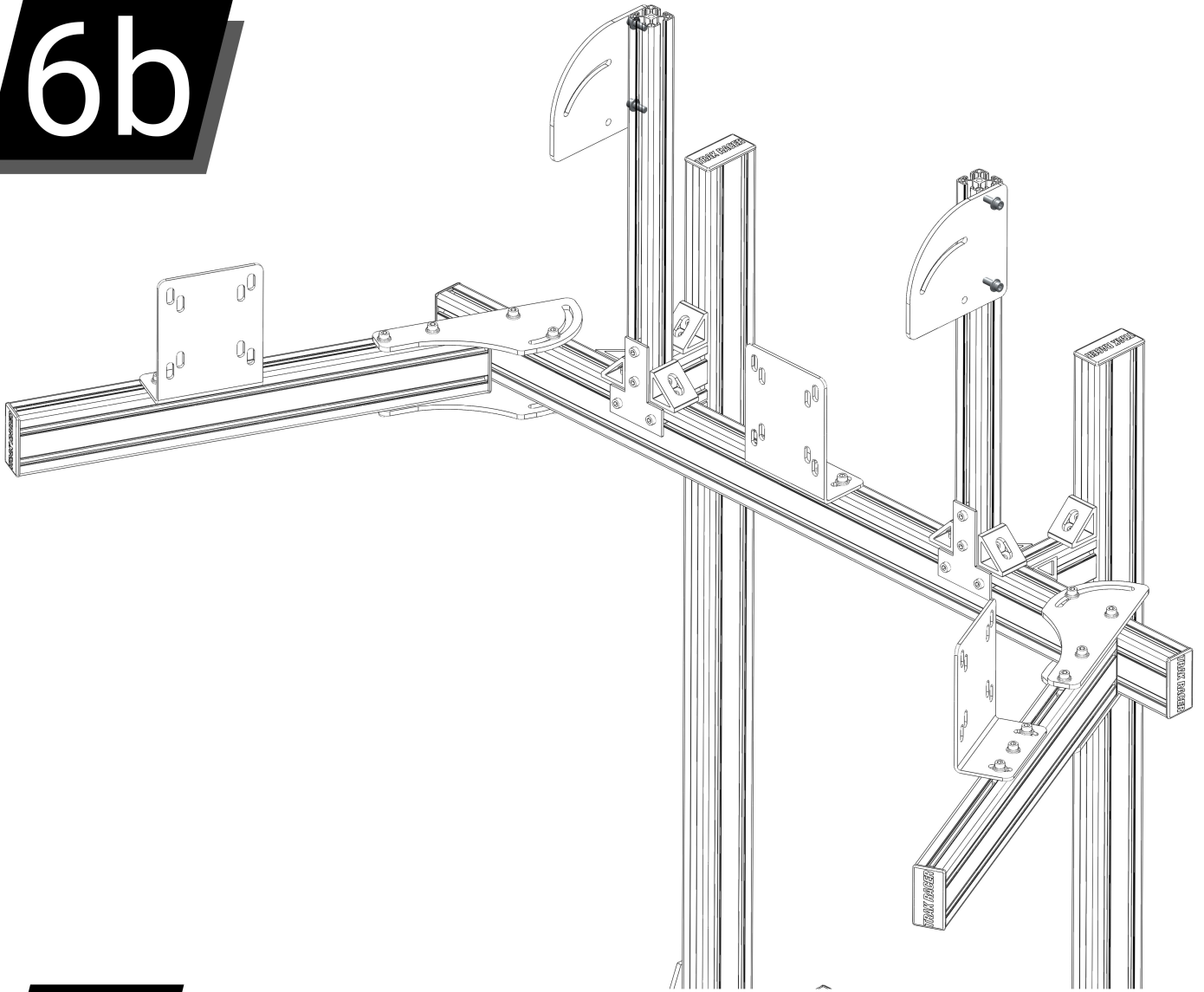
6



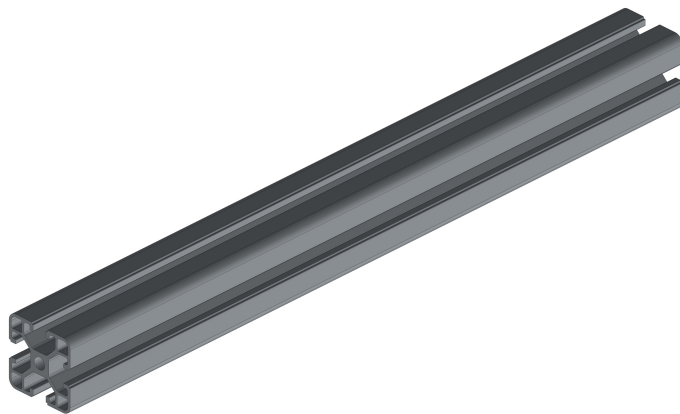
6a



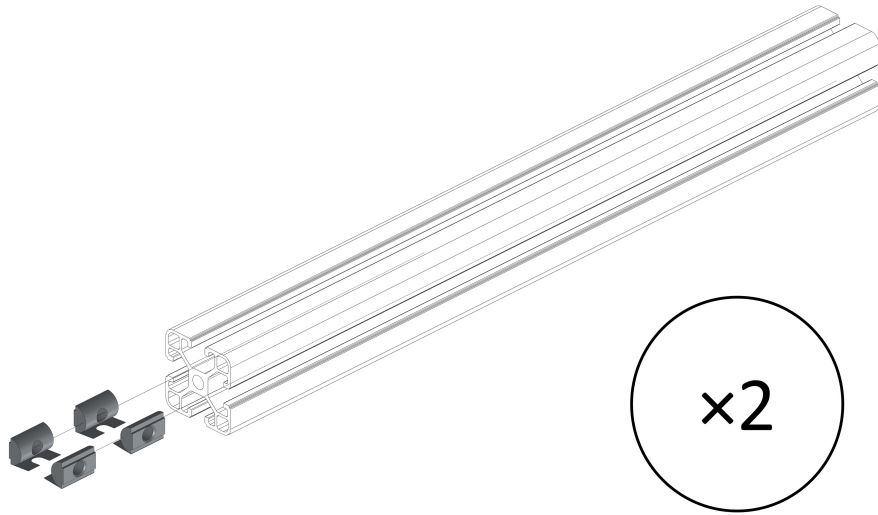
6b



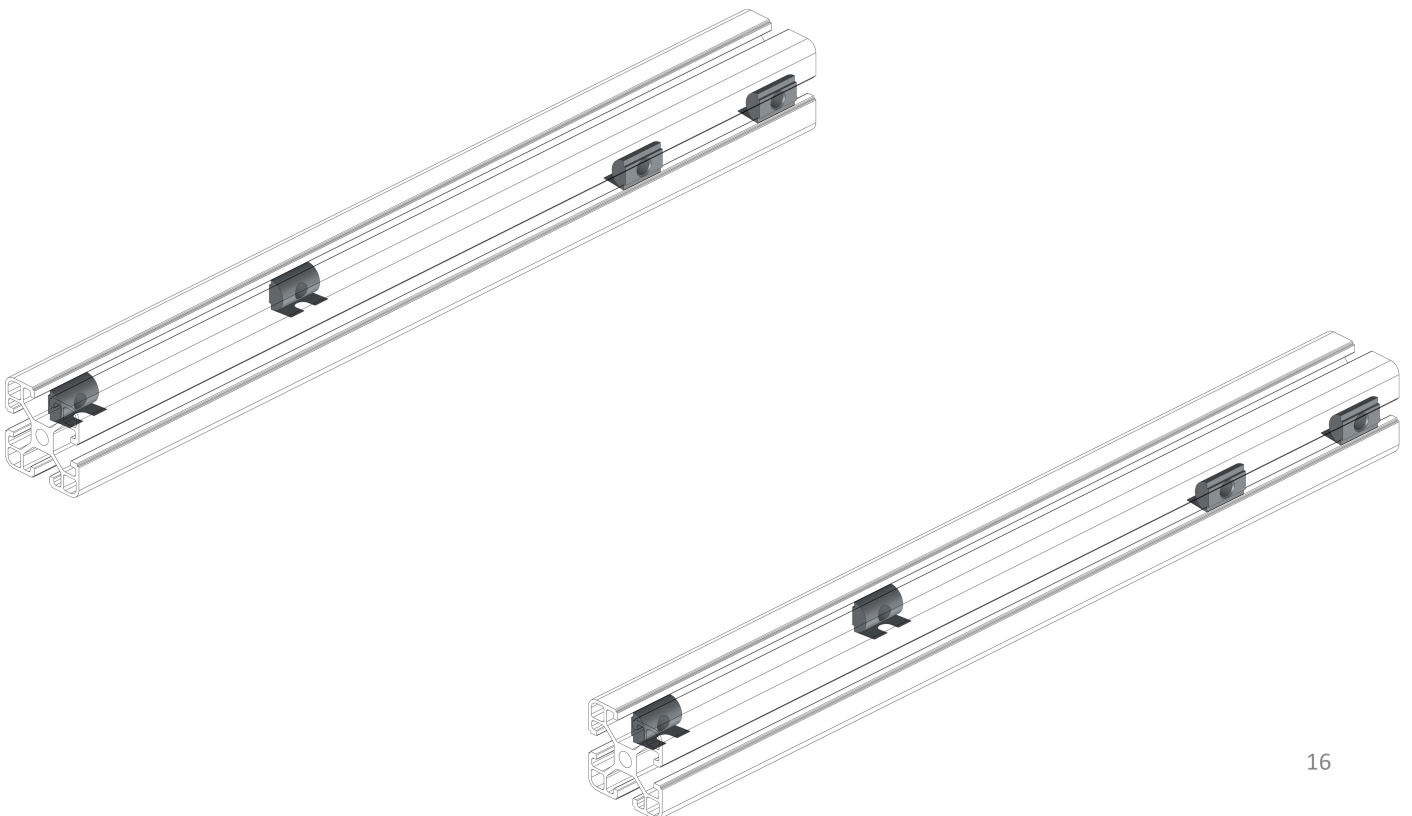
7



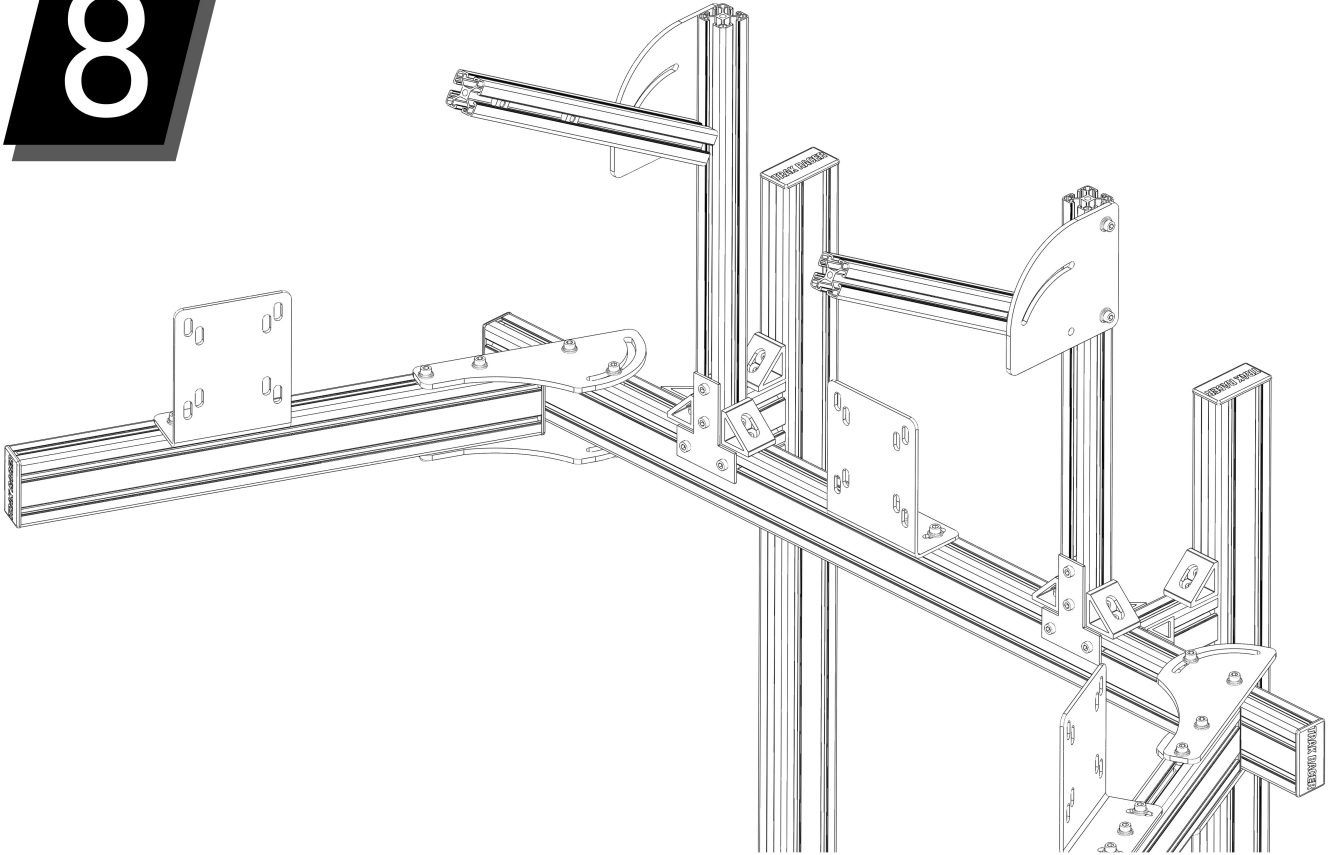
7a



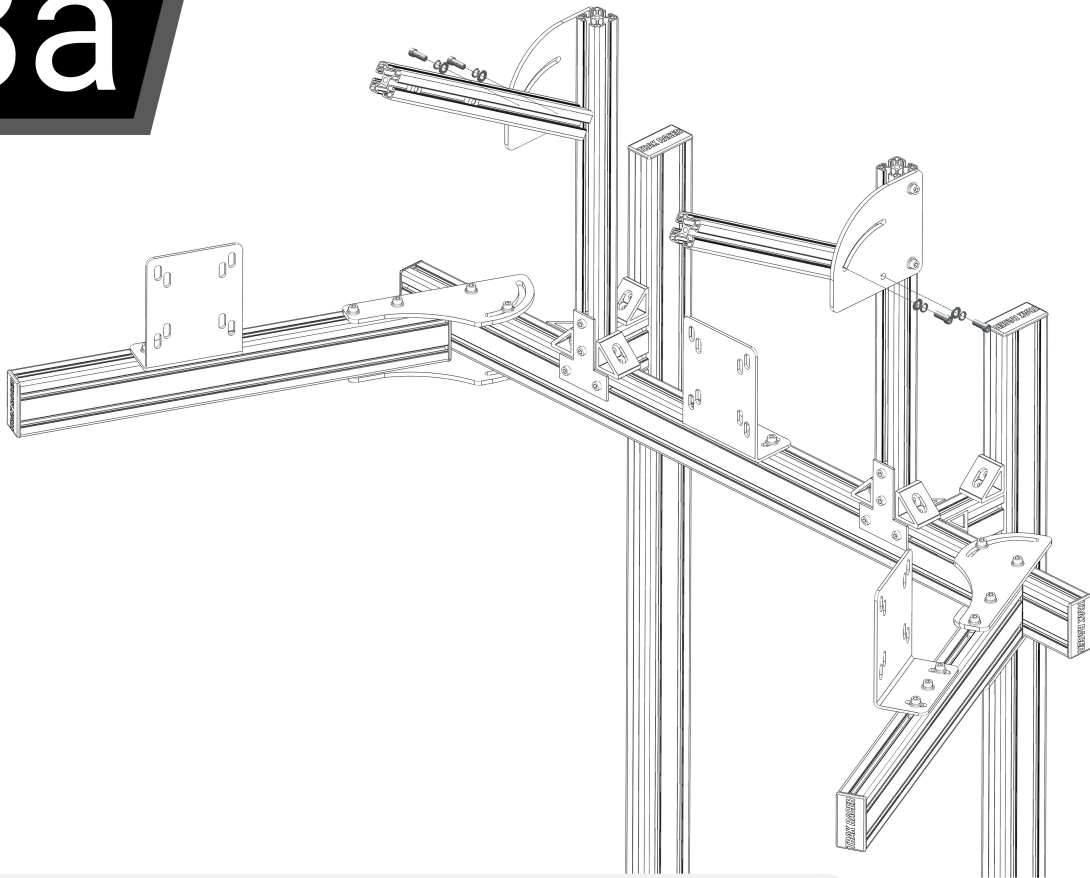
7b



8



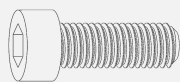
8a



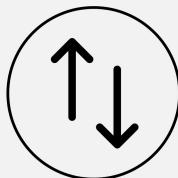
W1x4



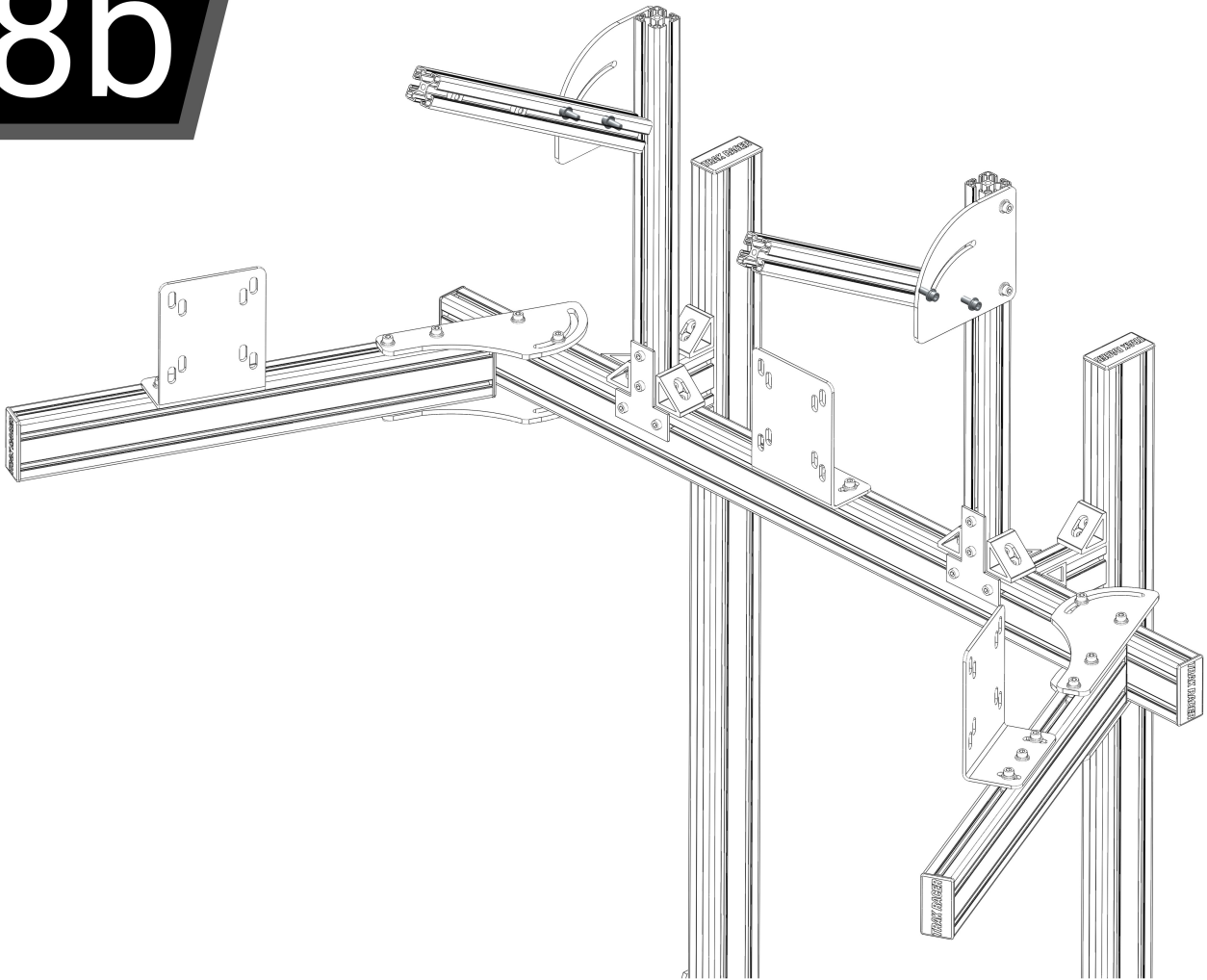
W2x4



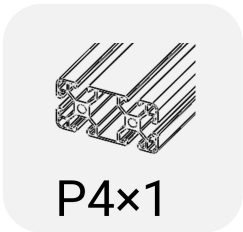
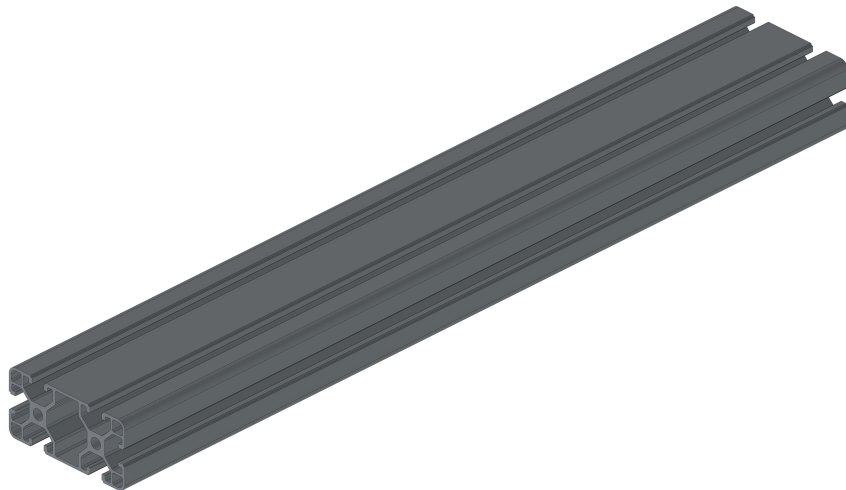
S3x4



8b

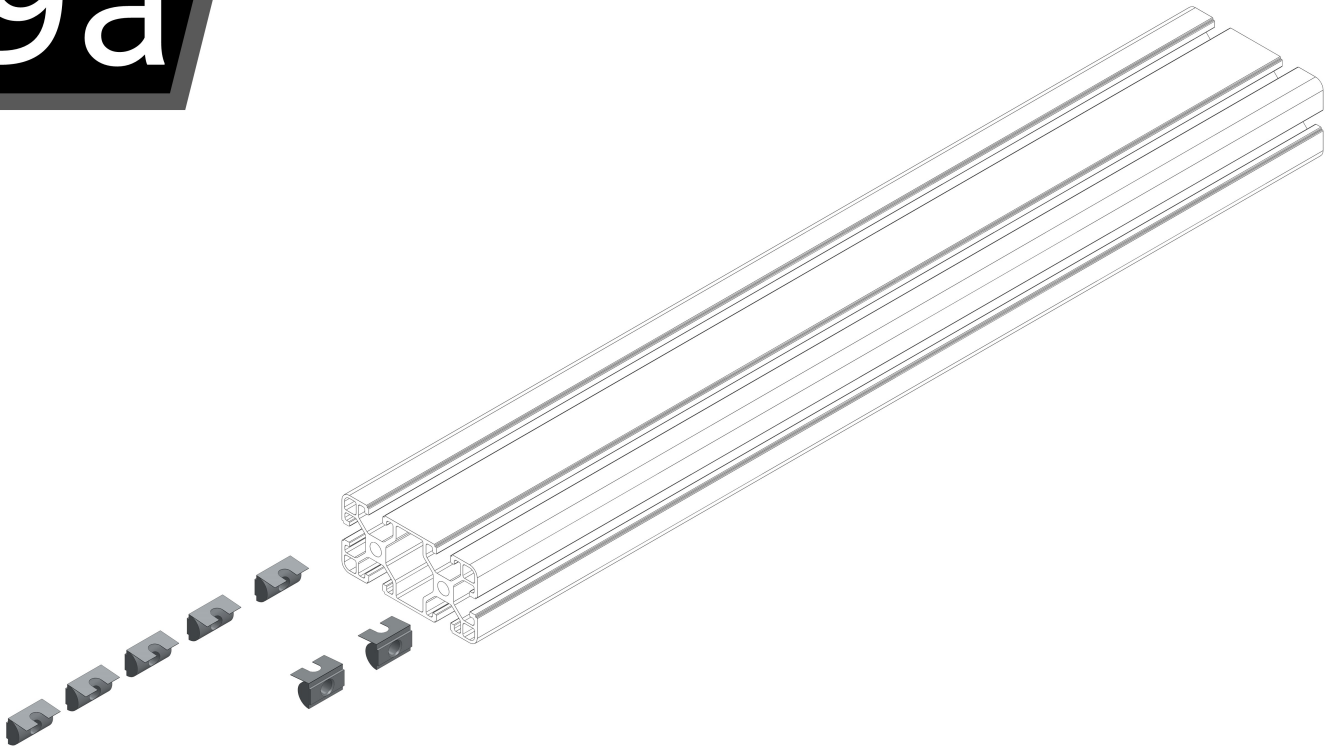


9

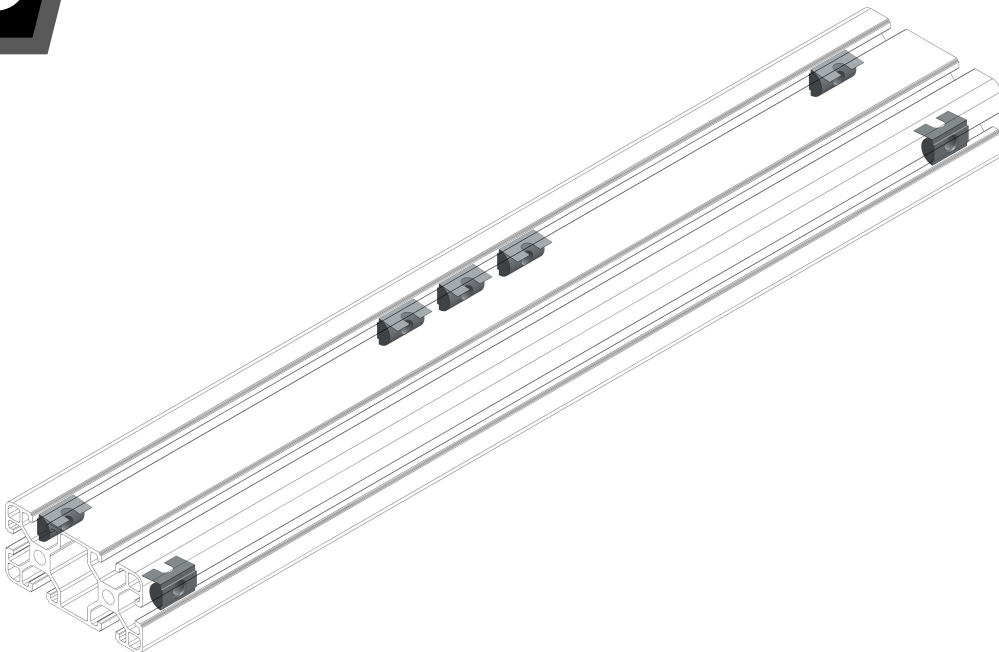


P4x1

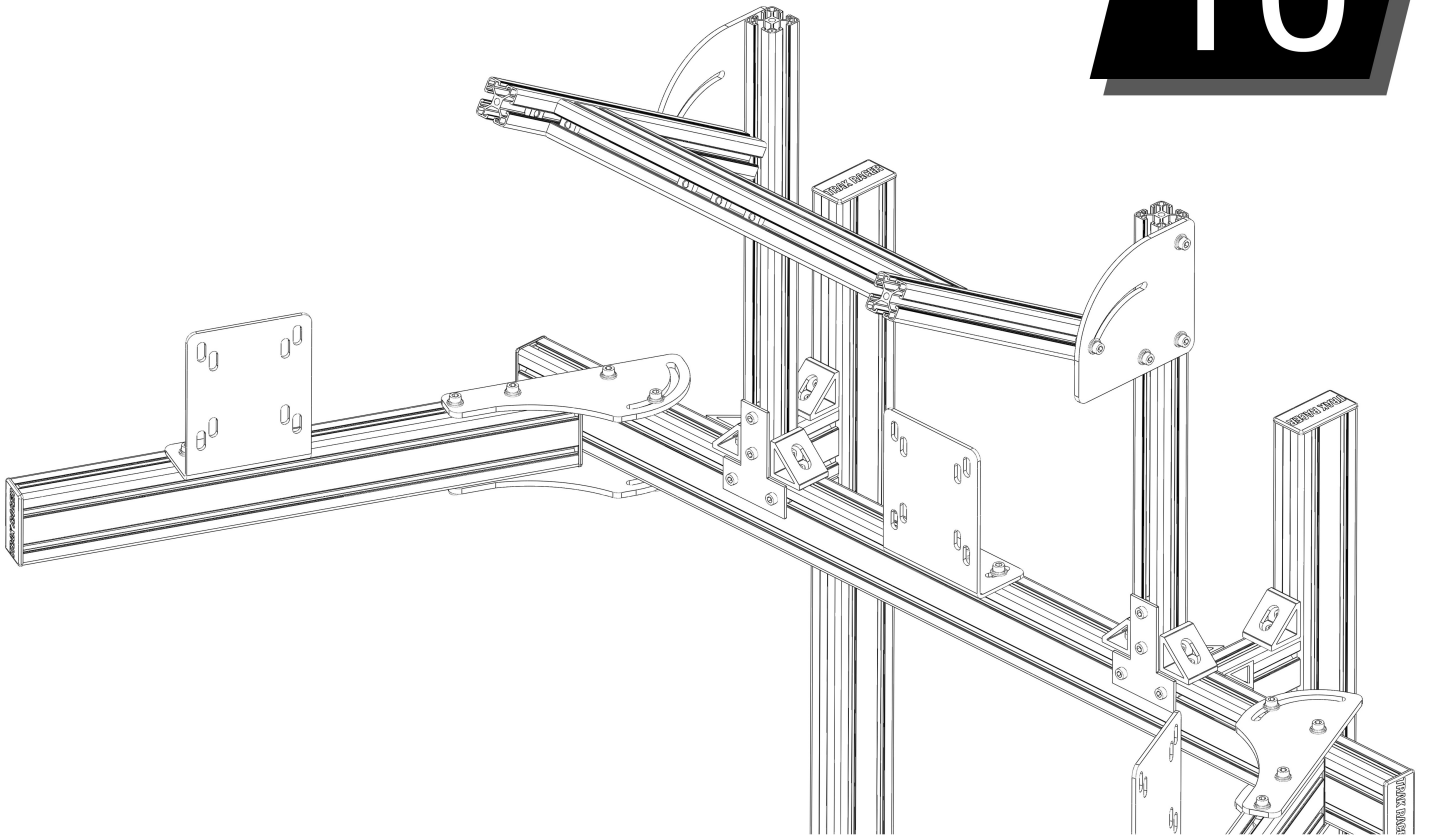
9a



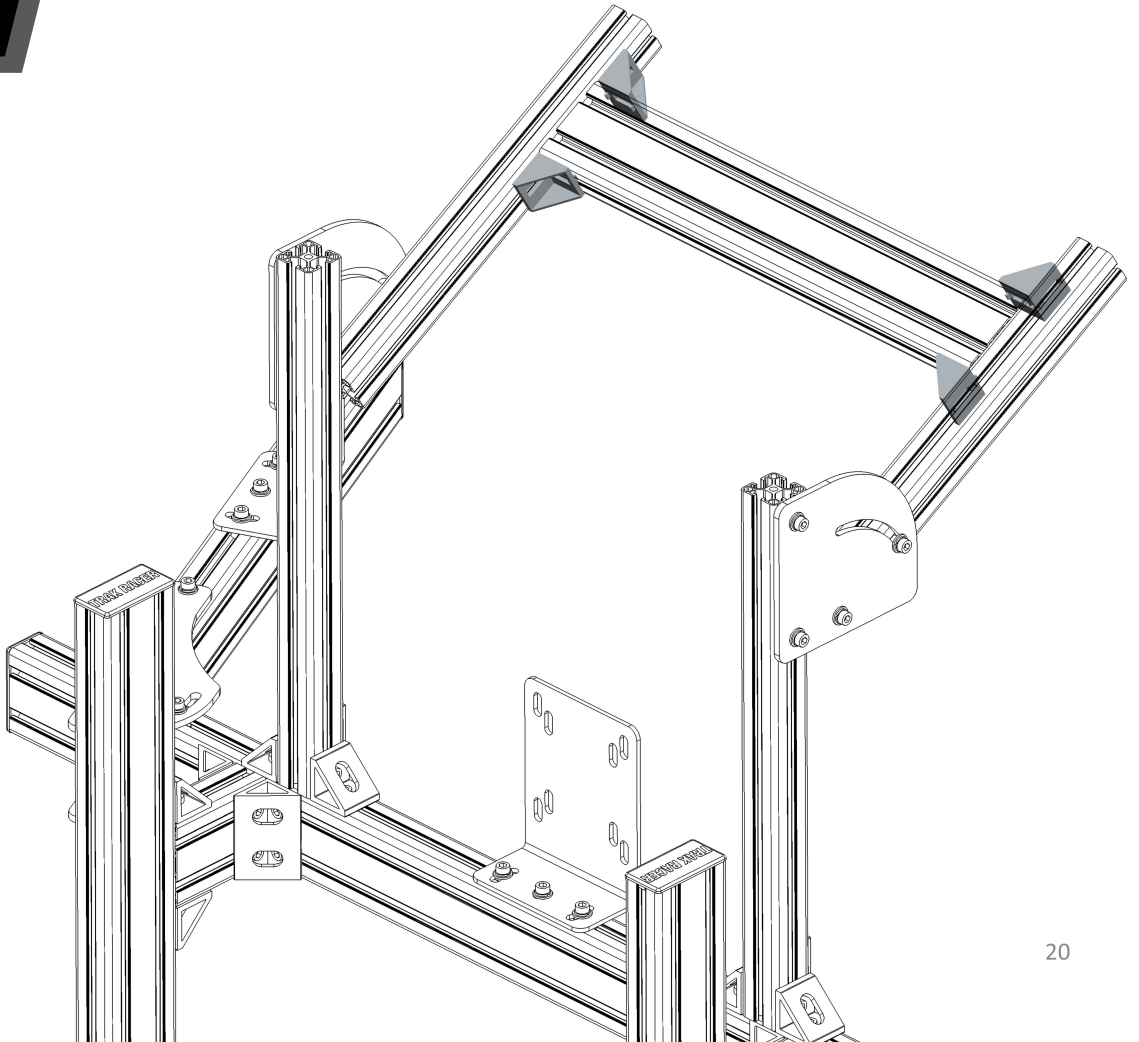
9b



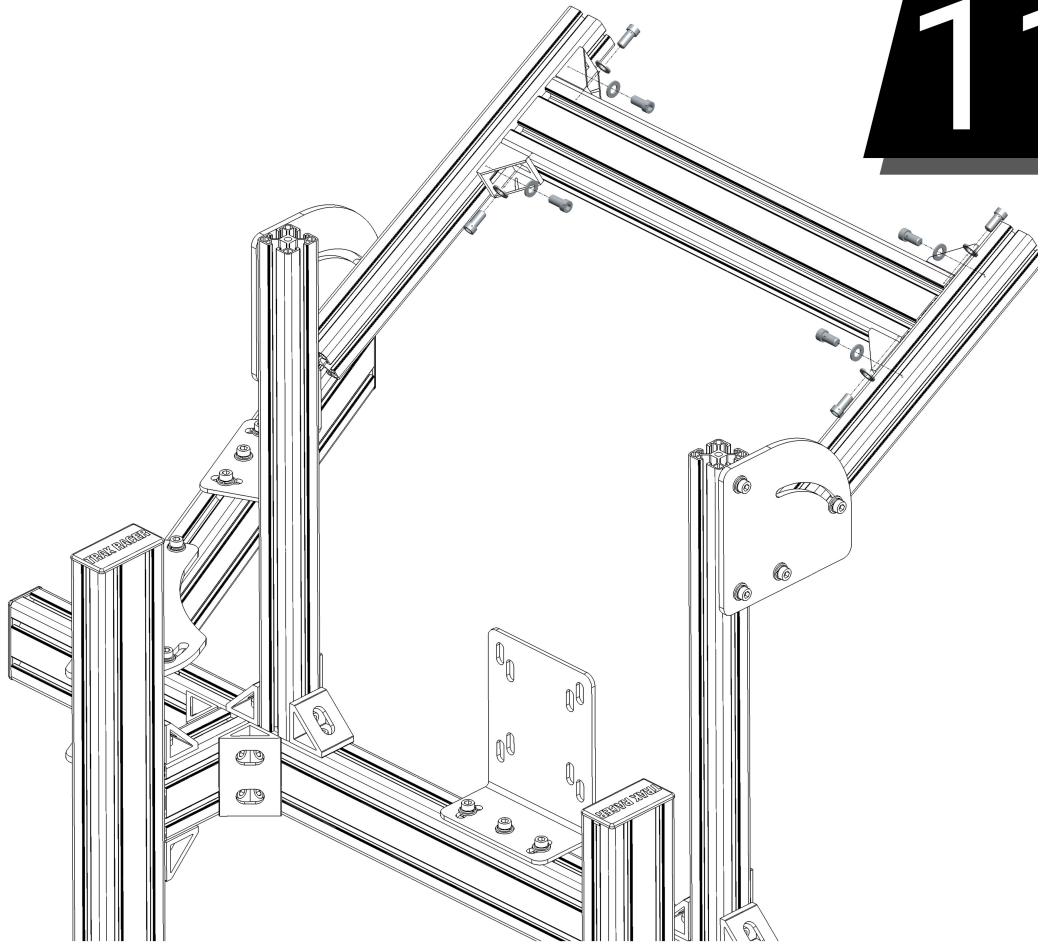
10



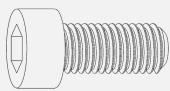
11



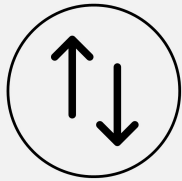
11a



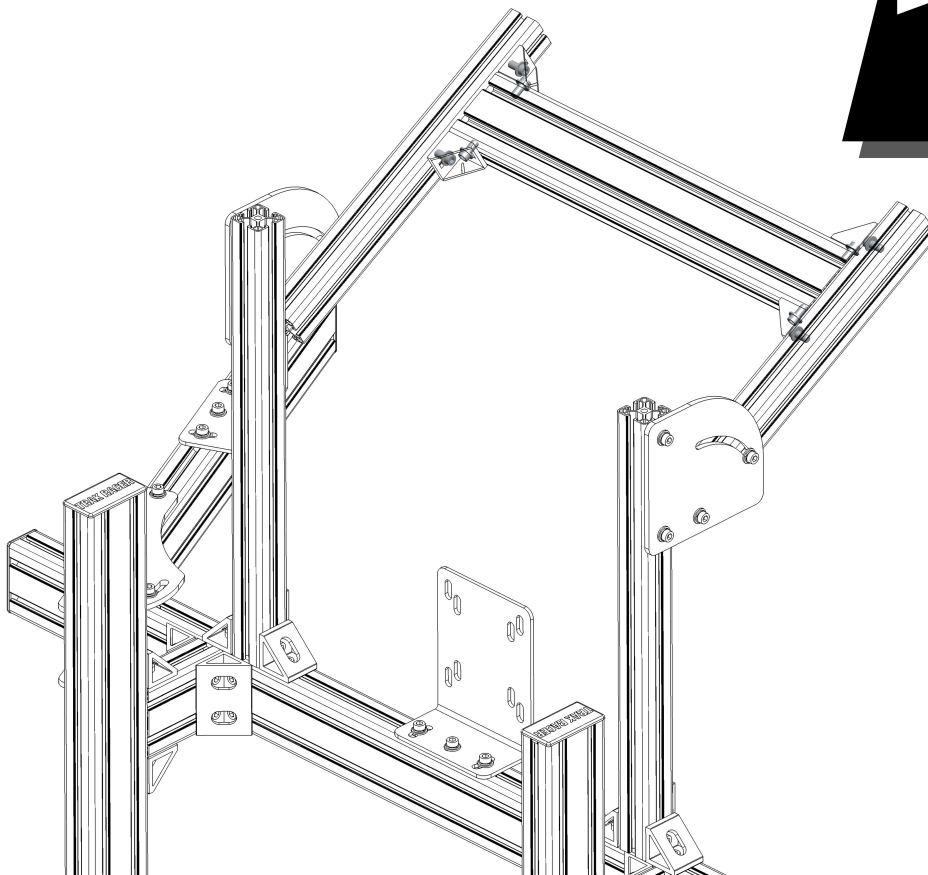
W1×8



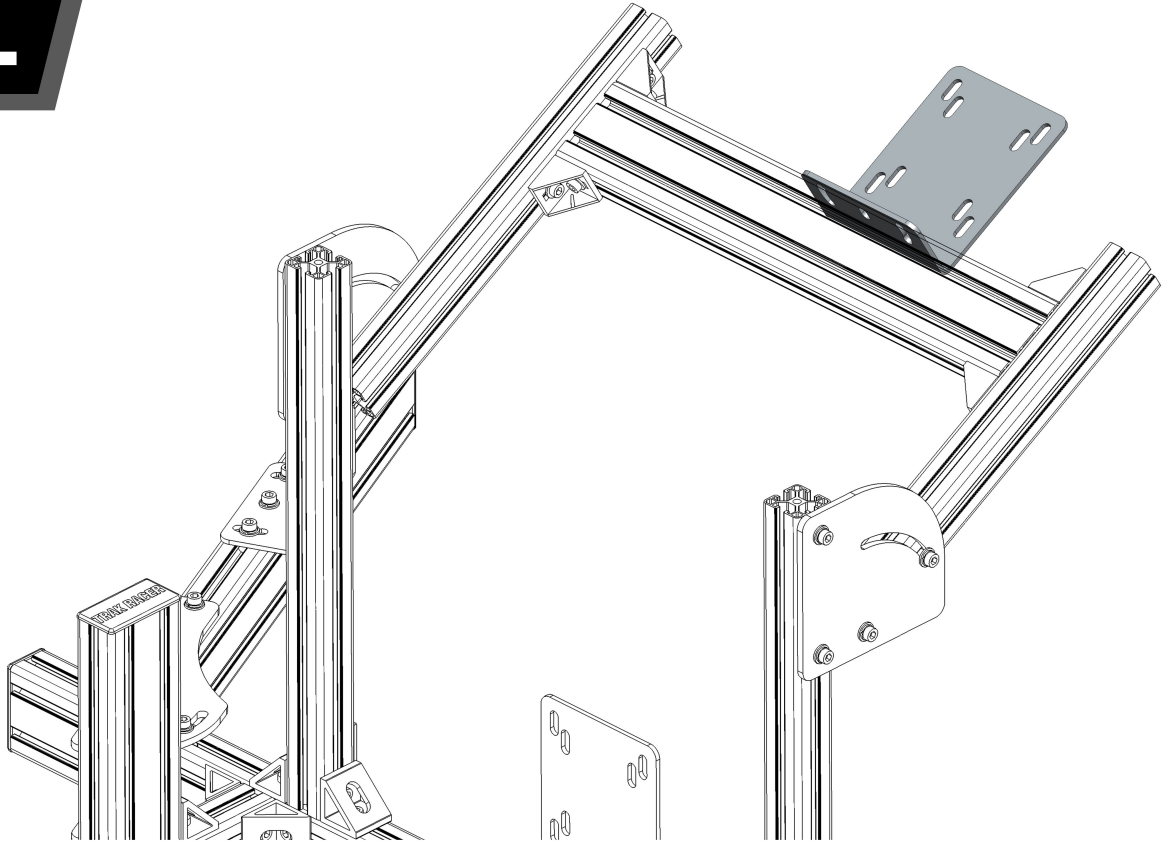
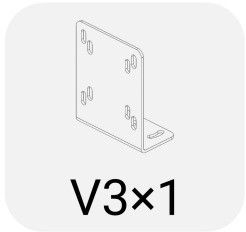
S2×8



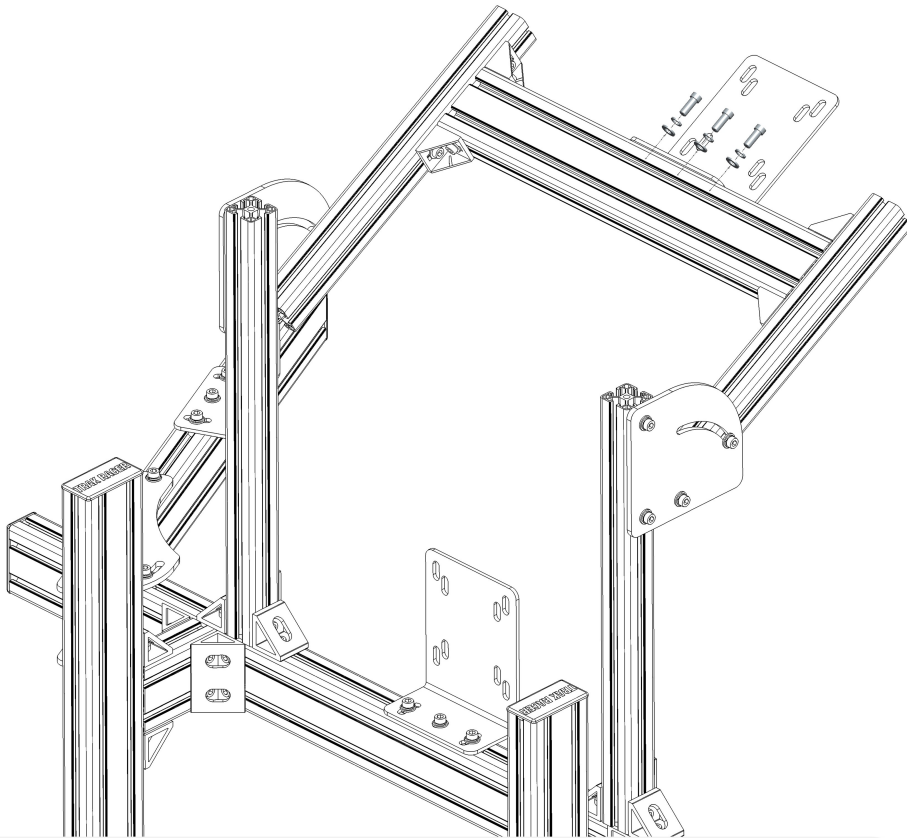
11b

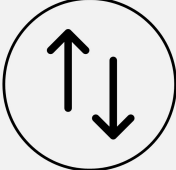



12

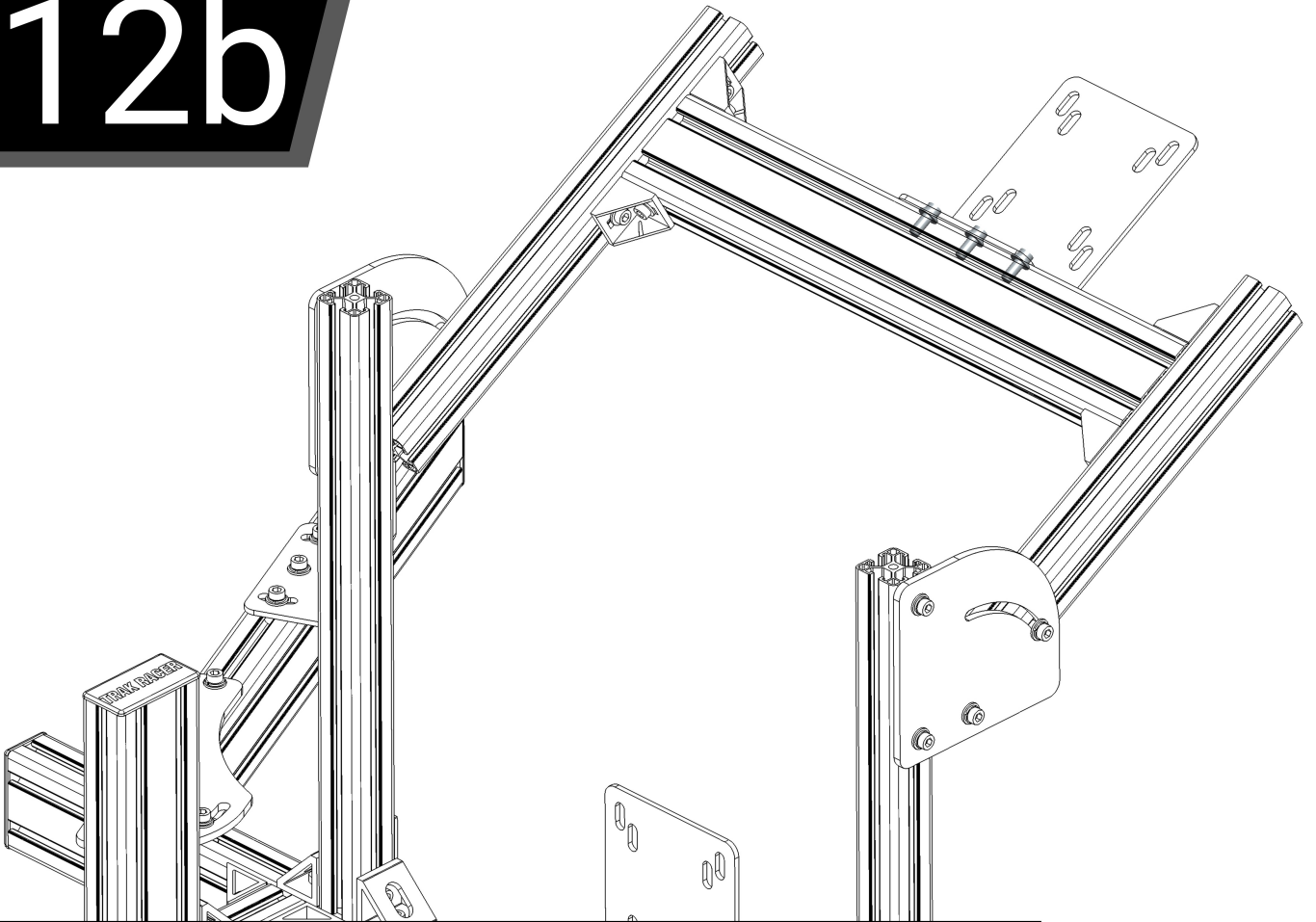


12a



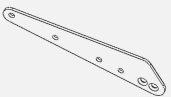
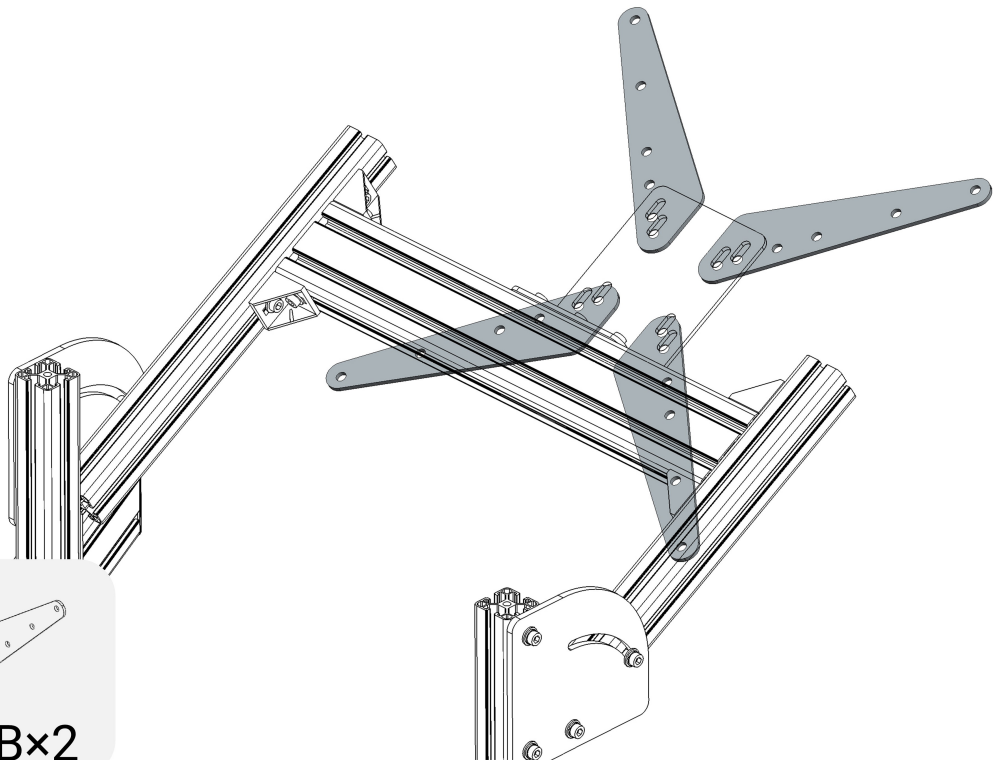
W1x3 W2x3 S3x3  

12b

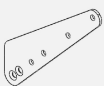


12c Optional

Note: To add a larger monitor follow the below assembly

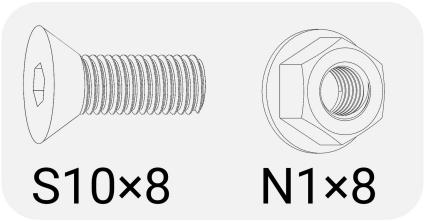
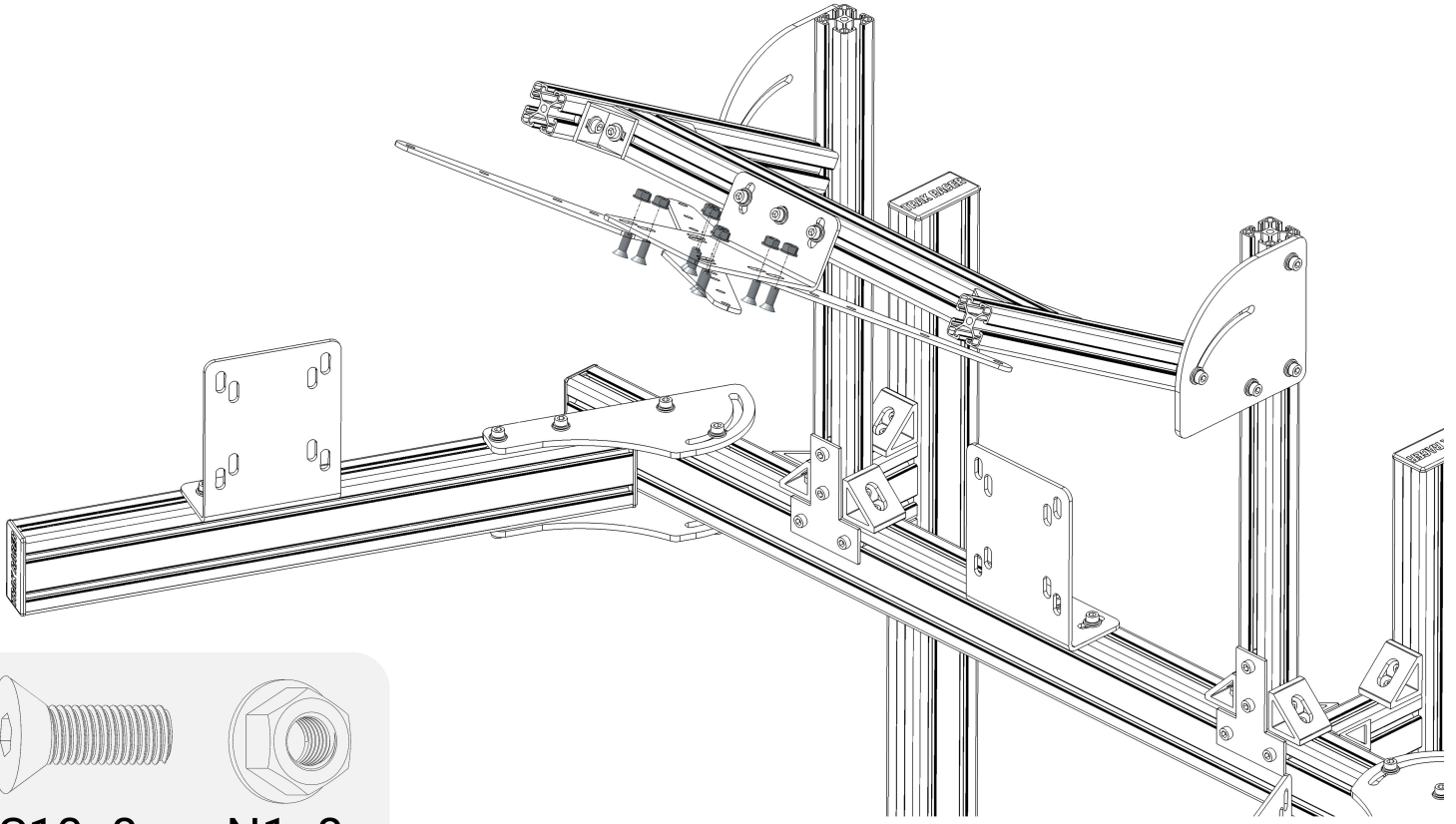


V3A×2

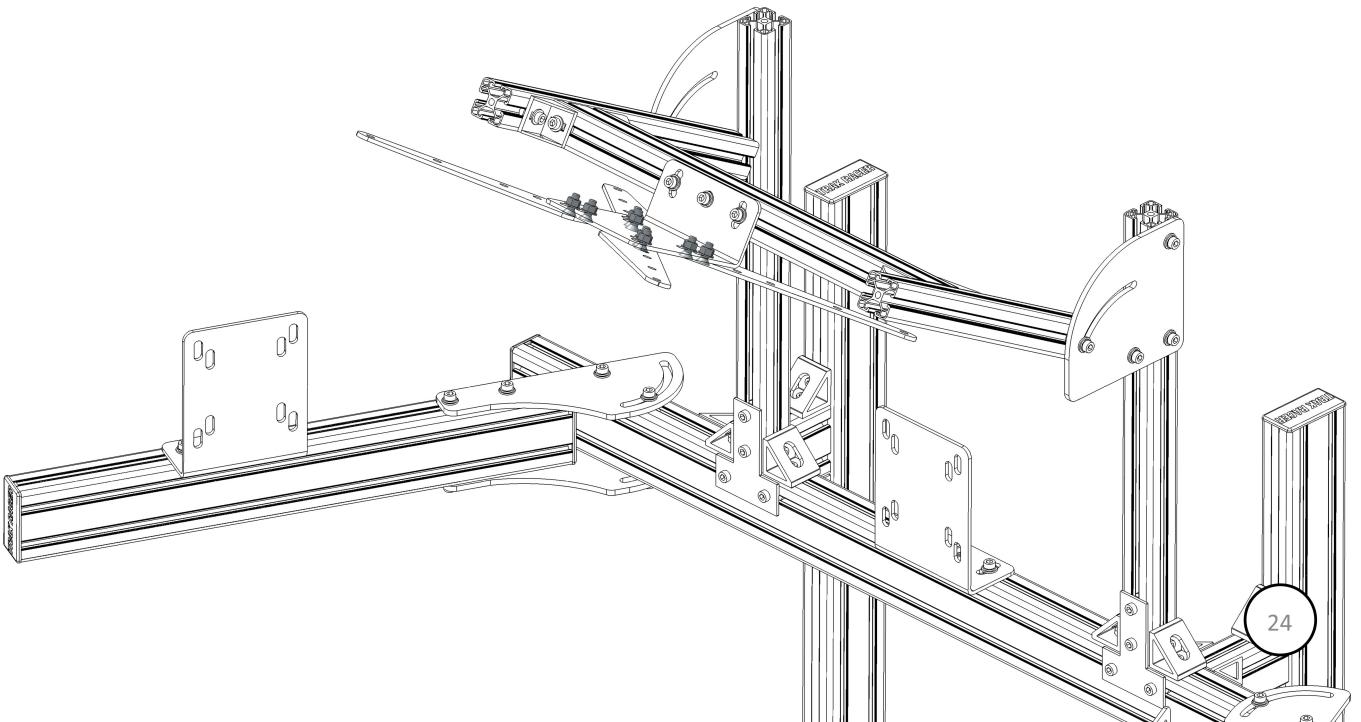


V3B×2

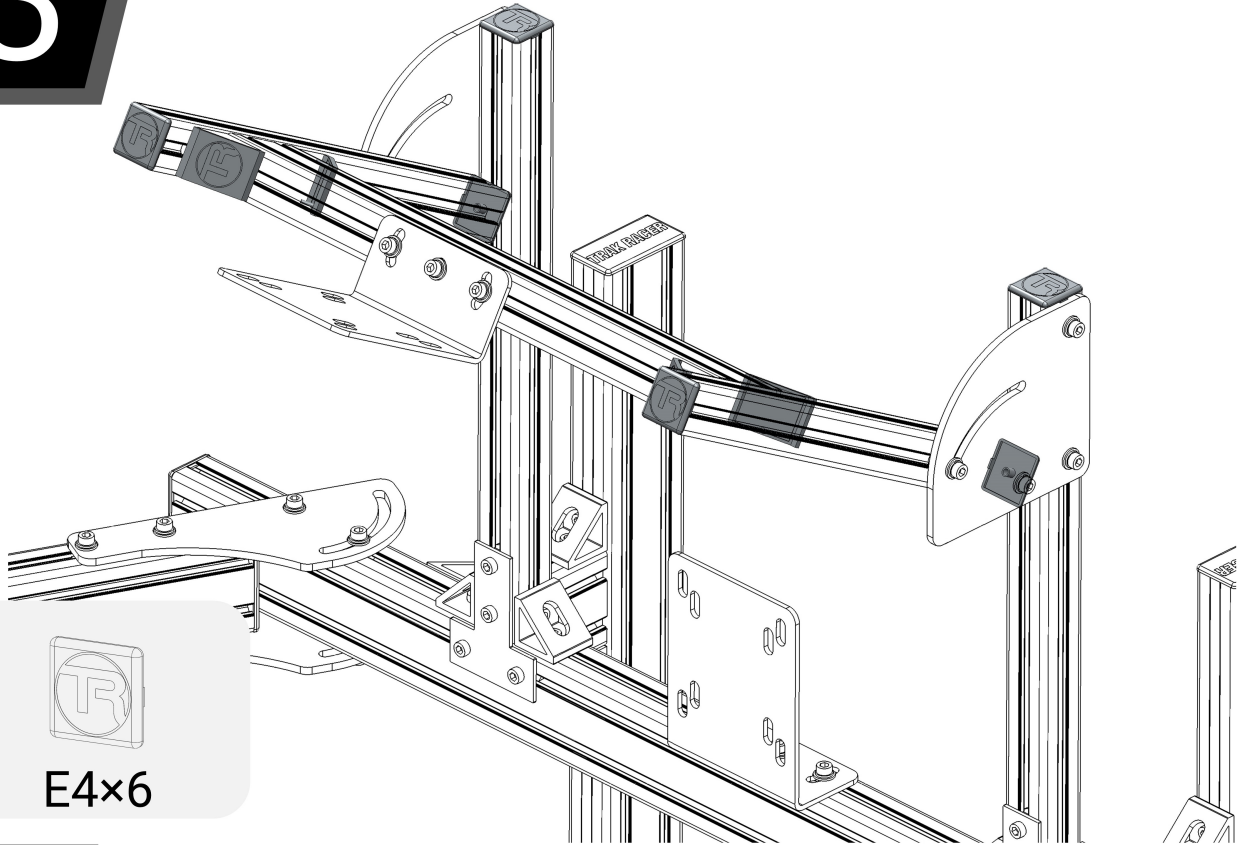
12d Optional



12e Optional



13

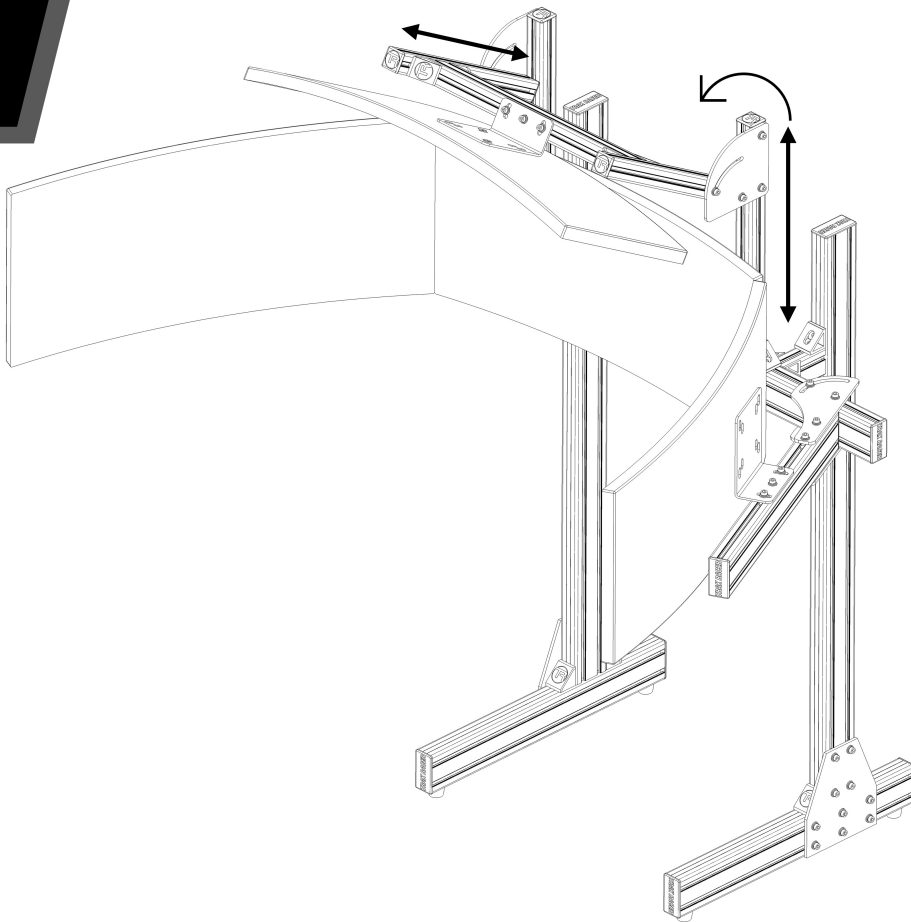


CB1x4

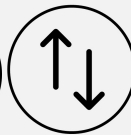


E4x6

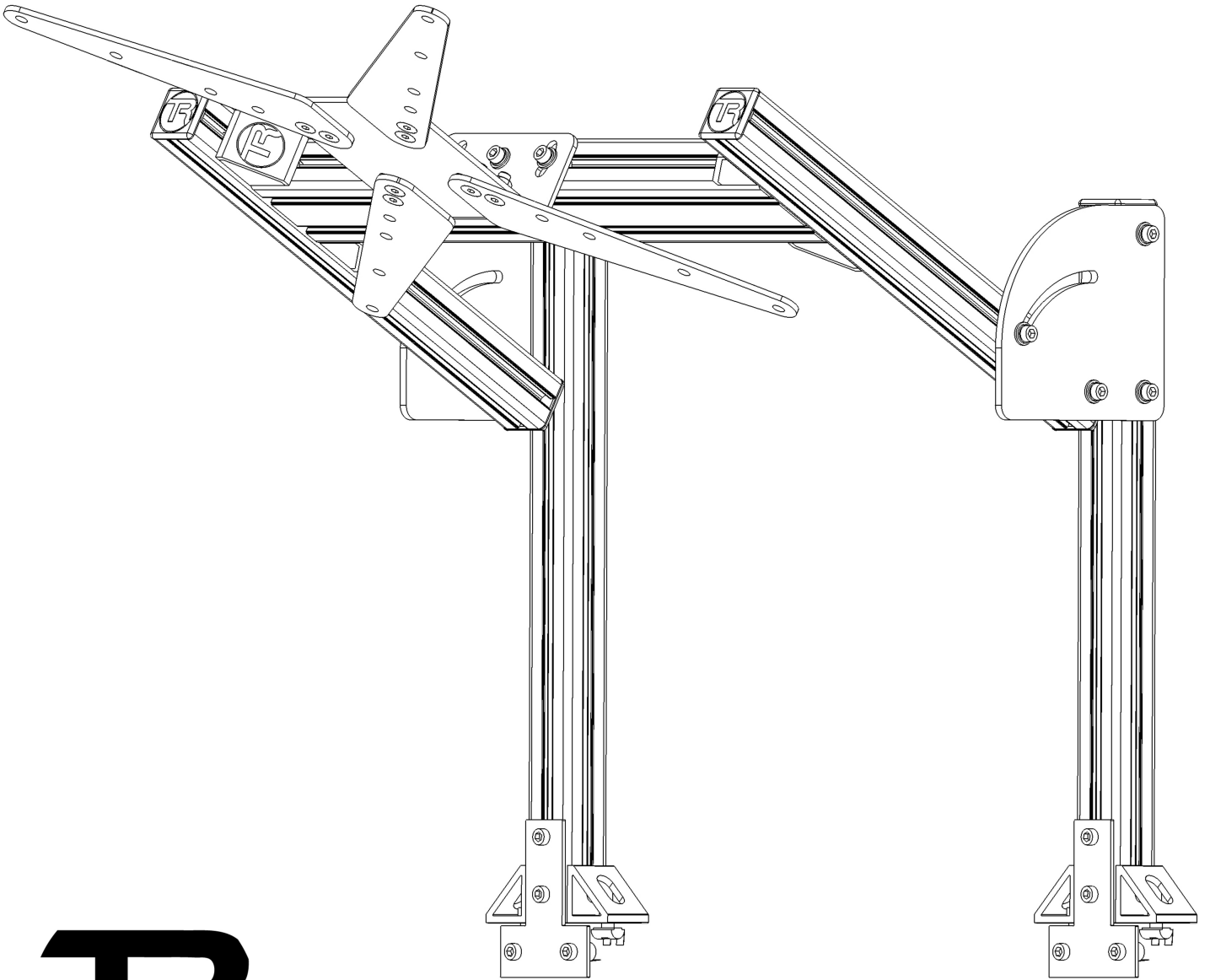
14



Note: If your monitor screw size is under 8mm you will need to use washers to mount monitor (not supplied). Make Adjustment and tighten hardware.



FINISHED



Share your build online and tag us to be featured!



@trakracer



@trakracer



@trak_racer