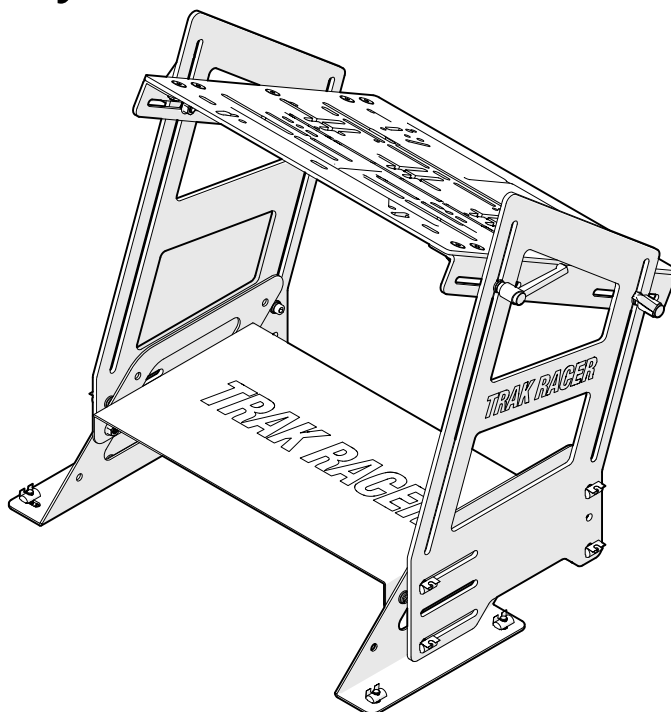


# TR-One

## Hybrid Pedal System

### TR80-HYPL



NOTE: Hardware to attach pedals to plate not included. Please use hardware included with your pedal set.

Part #	Description	QTY	Check
<b>BOX #: TR80-INVPE3</b>			
SH-M8-20	Screw (Hex), M8x20	16	
SL-M8-25	Screw (Handle) M8x25	4	
WF-M8	Washer (Flat), M8	16	
WL-M8	Washer (Lock), M8	16	
NF-M8	Nut (Flange), M8	8	
NS-M8	T-Nut (Spring), M8	12	
PP-IN-BR	Pedal Plate, Inverted, Brackets	2	
PP-IN-FR	Pedal Plate, Inverted, Footrest	1	
PP-IN-SM	Pedal Plate, Inverted, Side Mounts	2	
<b>BOX #: TR80-NEWPLATE</b>			
PP-80-TP	Pedal Plate, TR80 Top Plate	1	
PP-NP-LB	Pedal Plate, L Bracket	2	
SH-M8-25	Screw (Hex), M8x25	4	
SF-M8-20	Screw (Flat), M8x20	10	
SH-M6-15	Screw (Hex), M6x15	4	
NF-M8	Nut (Flange), M8	14	
WF-M8	Washer (Flat), M8	4	
WL-M8	Washer (Lock), M8	4	

\* NOTE: Extra hardware may be included as spare parts

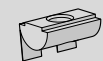
TR80-INVPE3 + TR80-NEWPLATE



**TRAK RACER**

Published 2022-06-04

# 1



NS-M8 x4



NF-M8 x4



SH-M8-20 x4



WL-M8 x4



WF-M8 x4

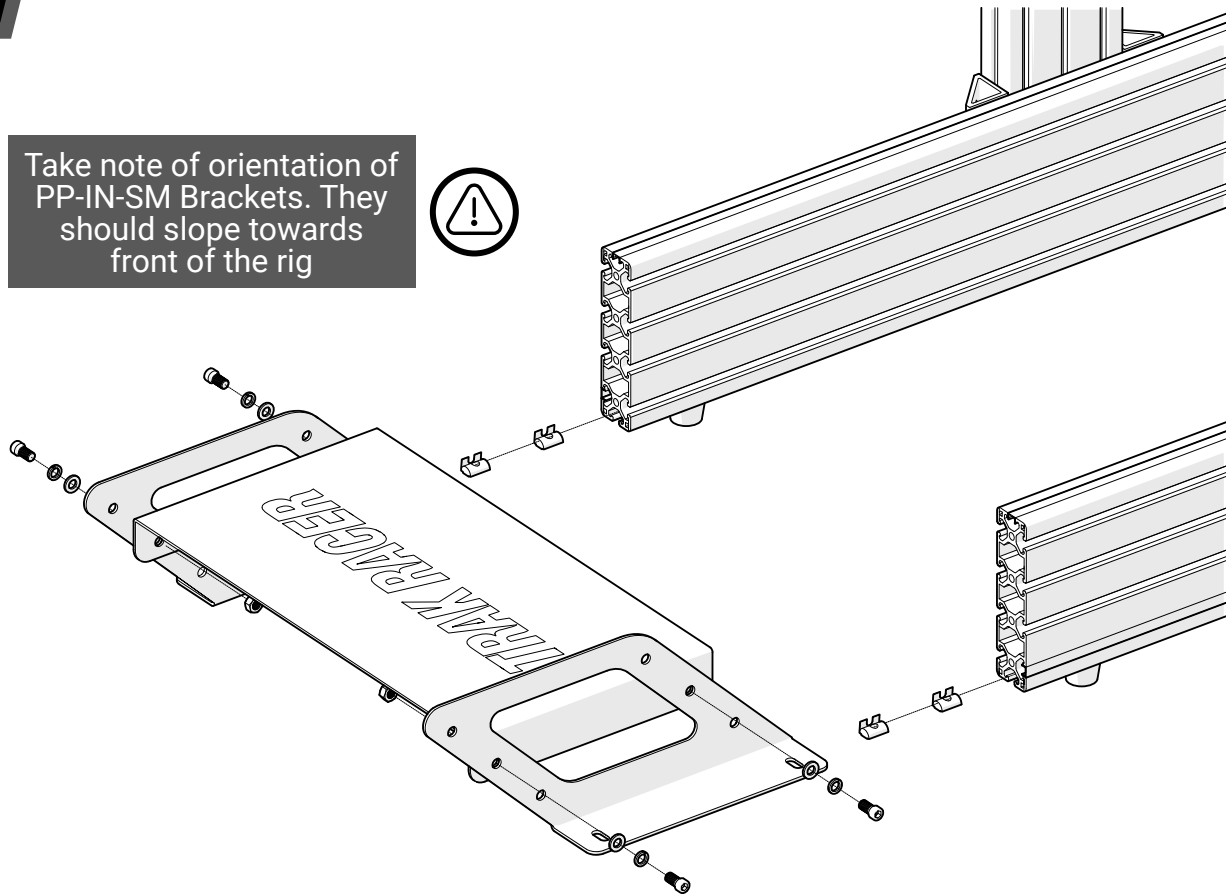


PP-IN-FR x1

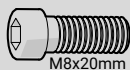


PP-IN-SM x2

Take note of orientation of PP-IN-SM Brackets. They should slope towards front of the rig



# 2



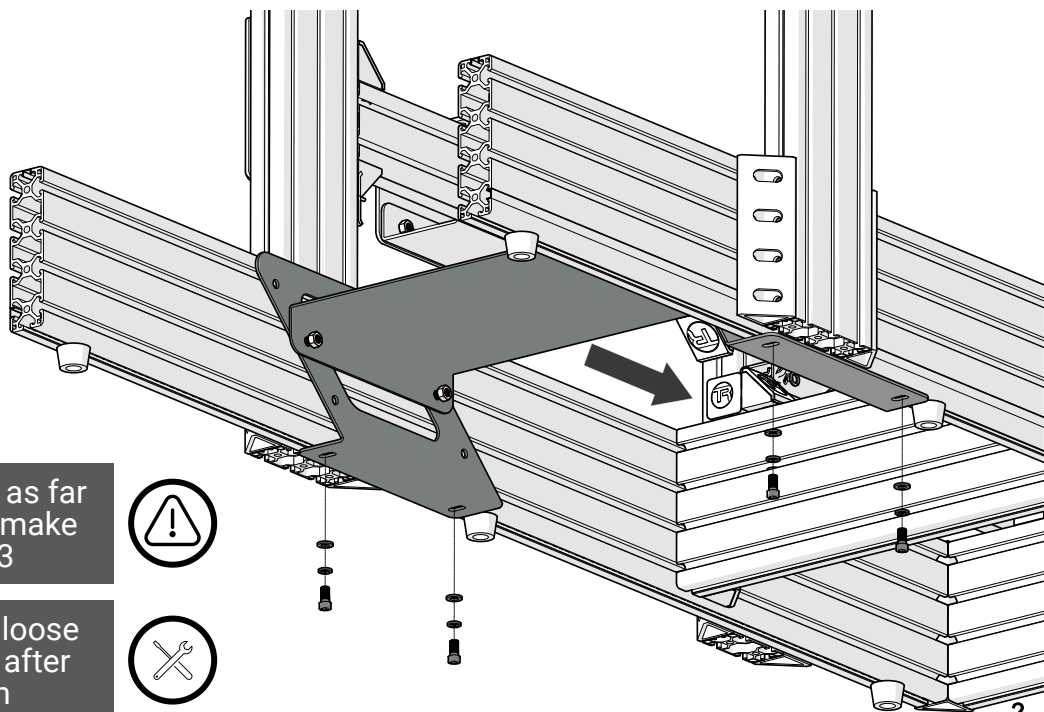
SH-M8-20 x4



WL-M8 x4



WF-M8 x4



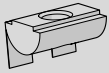
NOTE: Push footrest as far back as possible to make room for STEP 3



NOTE: Keep slightly loose and adjust position after seat installation



# 3



NS-M8 x8



SH-M8-20 x4



WL-M8 x8

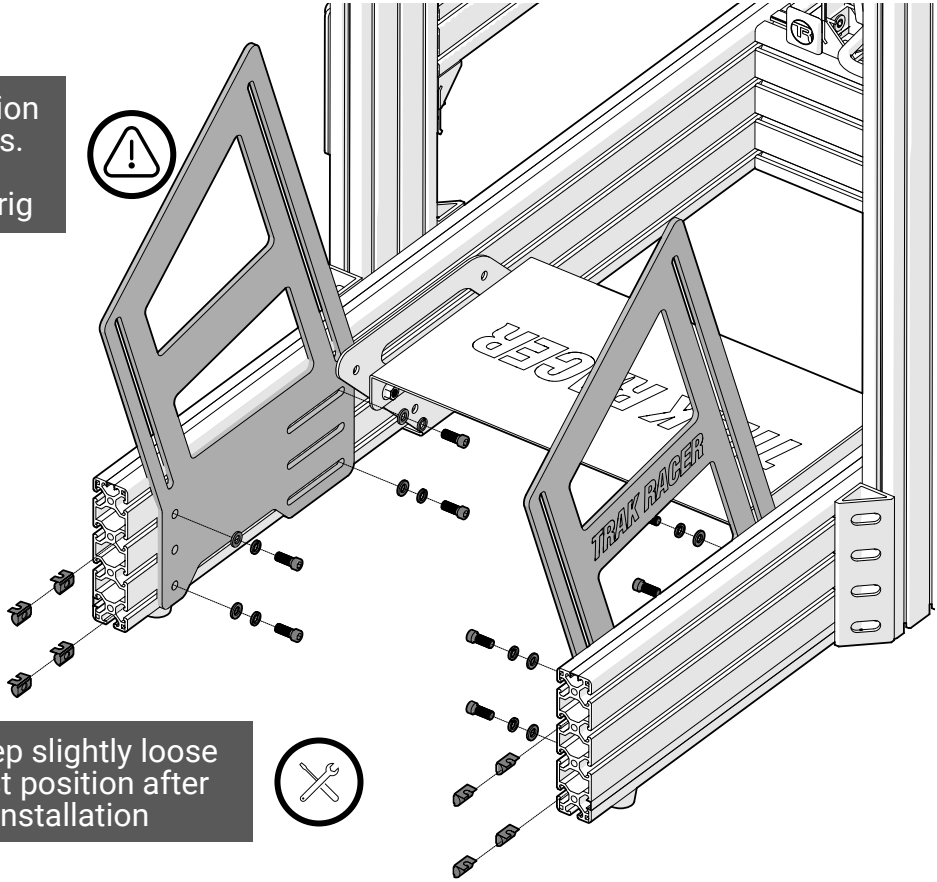


WF-M8 x8



PP-IN-BR x2

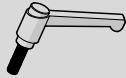
Take note of orientation of PP-IN-BR Brackets. They should slope towards front of the rig



NOTE: Keep slightly loose and adjust position after seat installation



# 4



SL-M8-25 x4



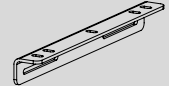
WL-M8 x4



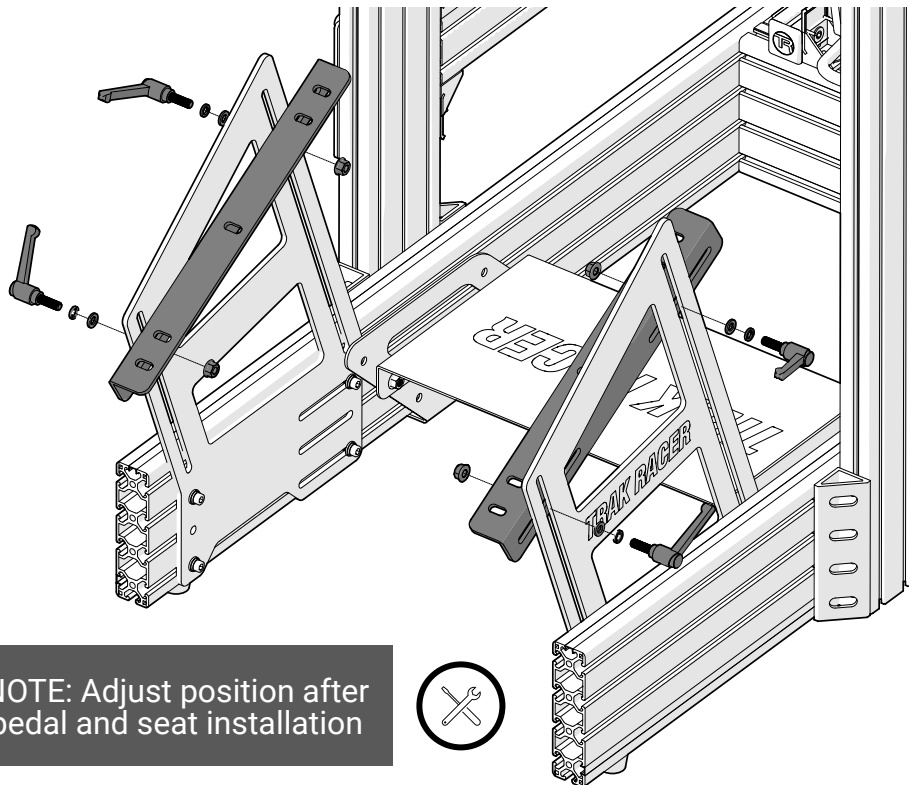
WF-M8 x4



NF-M8 x4



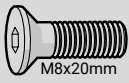
PP-NP-LB x2



NOTE: Adjust position after pedal and seat installation



# 5



M8x20mm

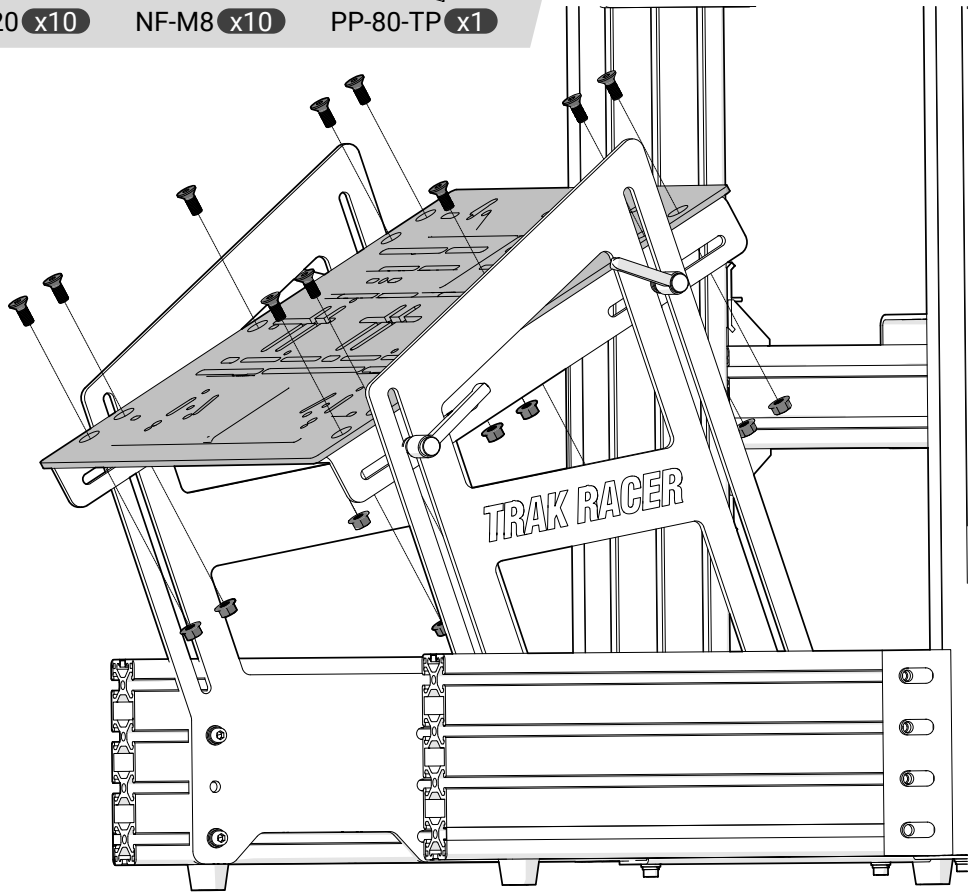
SF-M8-20 x10



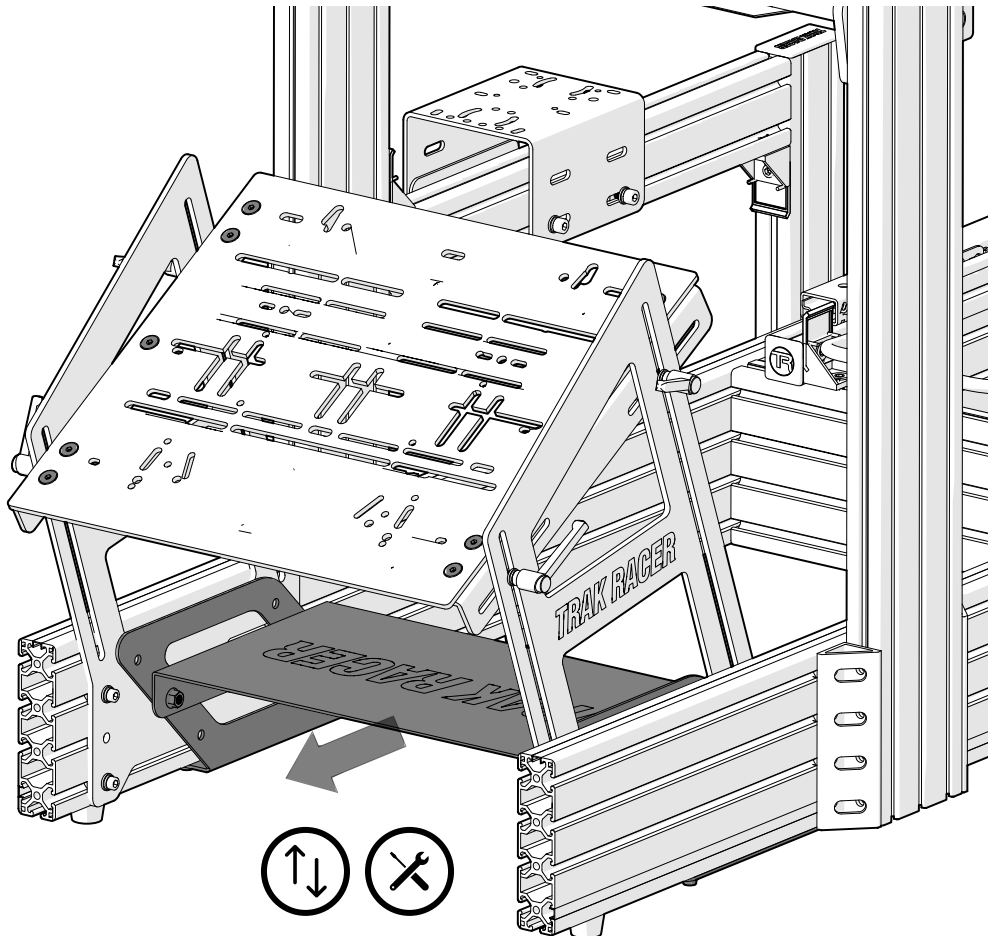
NF-M8 x10



PP-80-TP x1



# 6



# FINISHED



Share your build online and tag us to be featured!



@trakracer



@trakracer



@trak\_racer