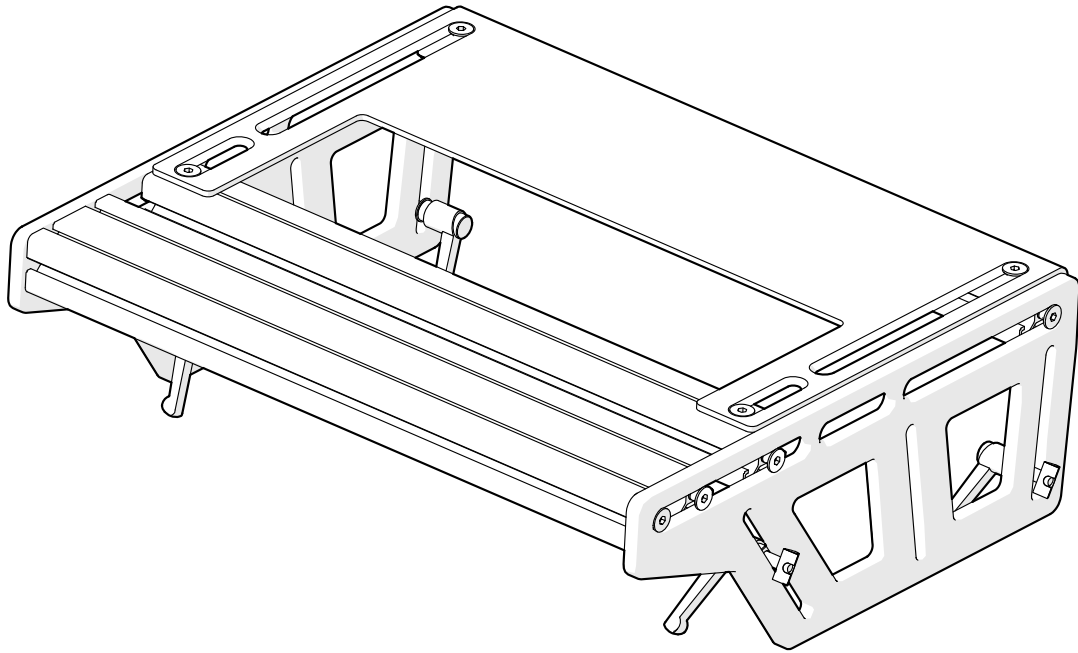


# TR-One

## Pedal Mounting System with Profile TR80-PBAL



NOTE: Hardware to attach pedals to plate not included.  
Please use hardware included with your pedal set.

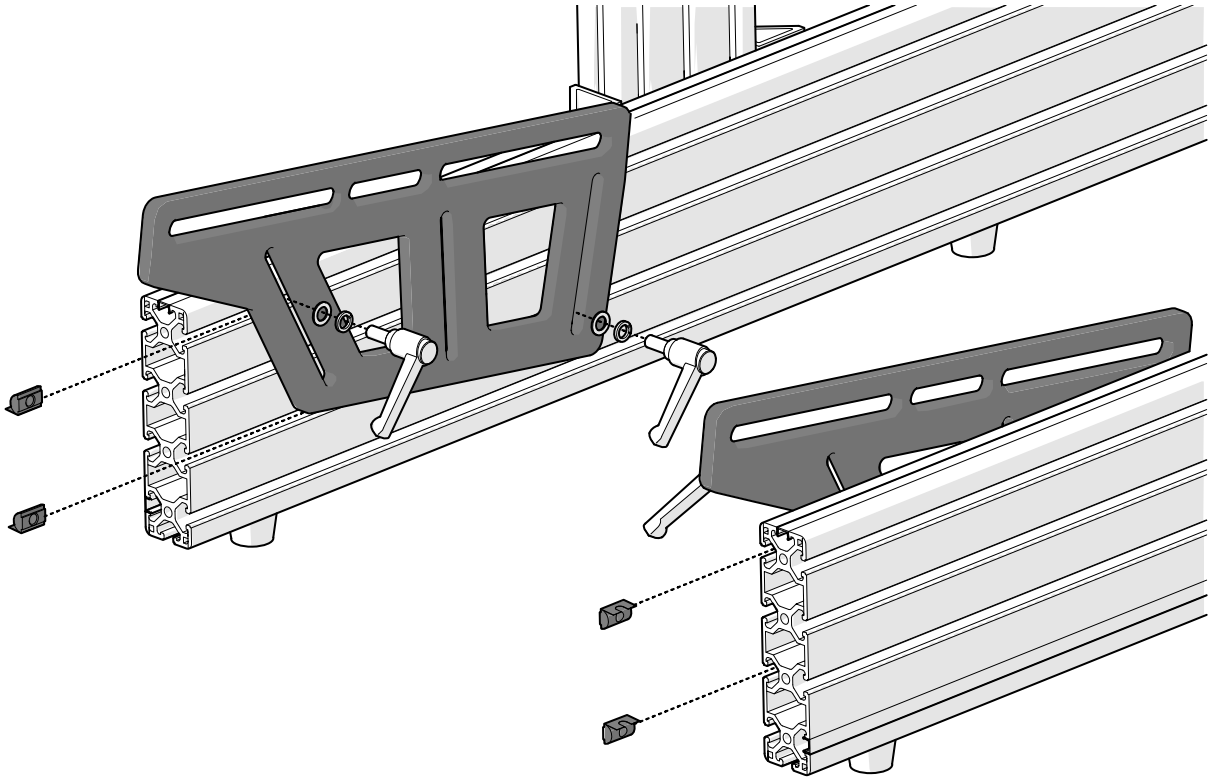
Part #	Description	QTY	Check
<b>BOX #: TR80-NEWPB</b>			
SF-M8-20	Screw (Flat), M8x20	8	
SL-M8-25	Screw (Handle) M8x25	4	
WF-M8	Washer (Flat), M8	4	
WL-M8	Washer (Lock), M8	4	
NS-M8	T-Nut (Spring), M8	4	
PP-NP-PB	New Pedal Plate, Pedal Bracket	2	
<b>BOX #: TR80-NEWAL</b>			
PP-HR-AL	Pedal Plate, Aluminum Heel Rest	1	
SF-M8-20	Screw (Flat), M8x20	8	
SF-M8-16	Screw (Flat), M8x16	8	
SH-M6-16	Screw (Hex), M6x16	12	
NS-M8	T-Nut (Spring), M8	8	
NS-M6	T-Nut (Spring), M6	12	
AT-40-480	Aluminum Profile (Threaded), 40x40x480mm	2	
AT-80-480	Aluminum Profile (Threaded), 40x80x480mm	1	
WF-M6	Washer (Flat), M6	12	
WL-M6	Washer (Lock), M6	12	

\* NOTE: Extra hardware may be included as spare parts

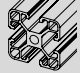


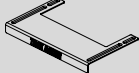
TR80-NEWPB + TR80-NEWAL

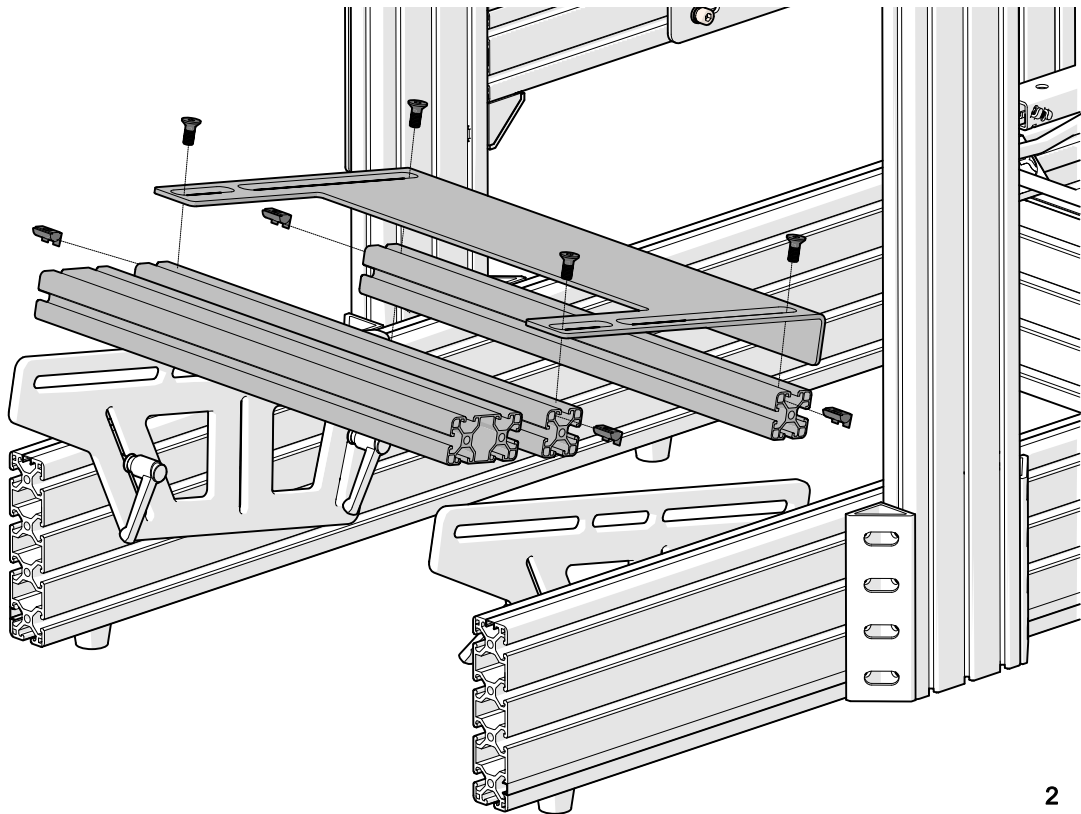
# 1

-  NS-M8 x4
-  SL-M8-20 x4
-  WF-M8 x4
-  WL-M8 x4
-  PP-NP-PB x2

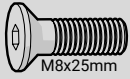


# 2

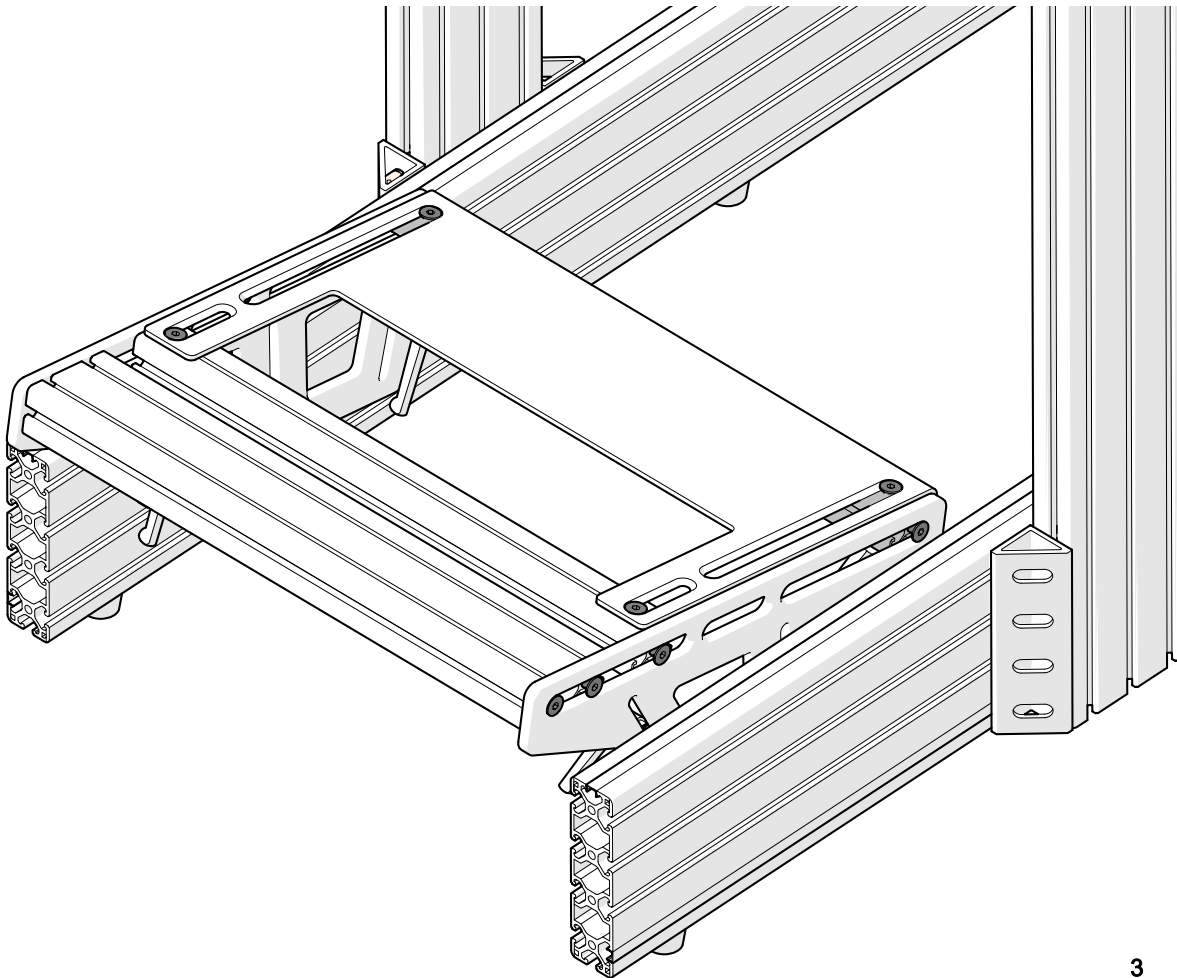
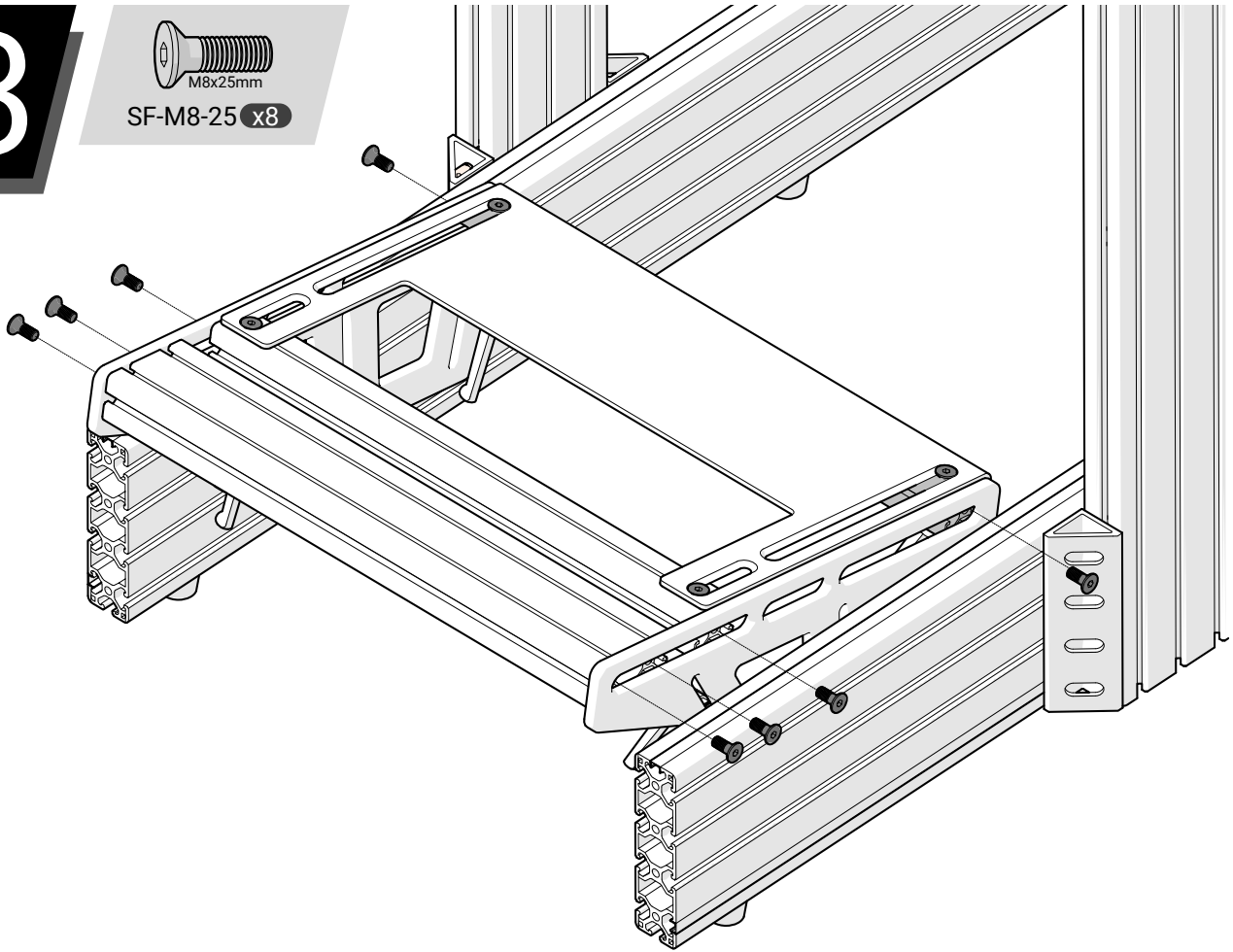
-  AT-40-480 x2
-  AT-80-480 x1
-  NS-M8 x4
-  SF-M8-16 x4
-  PP-HR-AL x1



3



SF-M8-25 x8



# FINISHED



**Share your build online and tag us to be featured!**



@trakracer



@trakracer



@trak\_racer