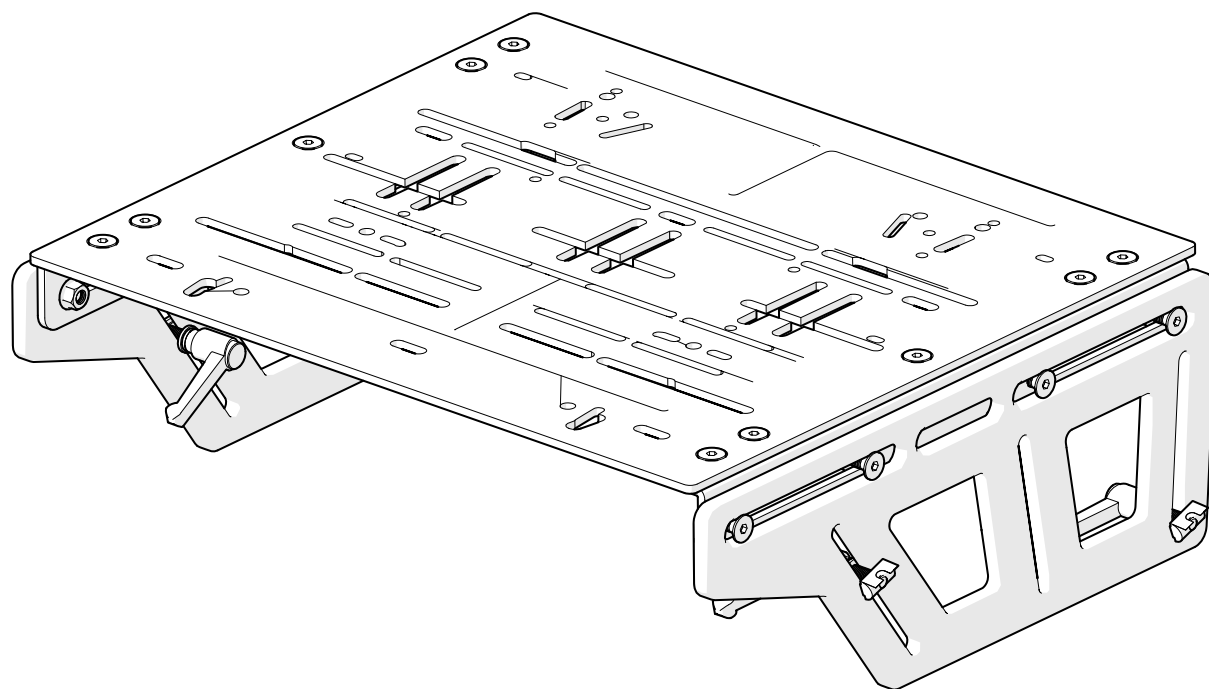


TR-One

Pedal Mounting System with Plate

TR80-PBPL



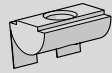
NOTE: Hardware to attach pedals to plate not included. Please use hardware included with your pedal set.

Part #	Description	QTY	Check
BOX #: TR80-NEWPB			
SF-M8-20	Screw (Flat), M8x20	8	
SL-M8-25	Screw (Handle) M8x25	4	
WF-M8	Washer (Flat), M8	4	
WL-M8	Washer (Lock), M8	4	
NS-M8	T-Nut (Spring), M8	4	
PP-NP-PB	New Pedal Plate, Pedal Bracket	2	
BOX #: TR80-NEWPLATE			
PP-80-TP	Pedal Plate, TR80 Top Plate	1	
PP-NP-LB	Pedal Plate, L Bracket	2	
SF-M8-20	Screw (Flat), M8x20	10	
NF-M8	Nut (Flange), M8	18	

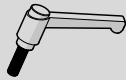
* NOTE: Extra hardware may be included as spare parts

TR80-NEWPB + TR80-NEWPLATE

1



NS-M8 x4



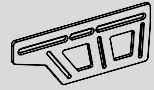
SL-M8-20 x4



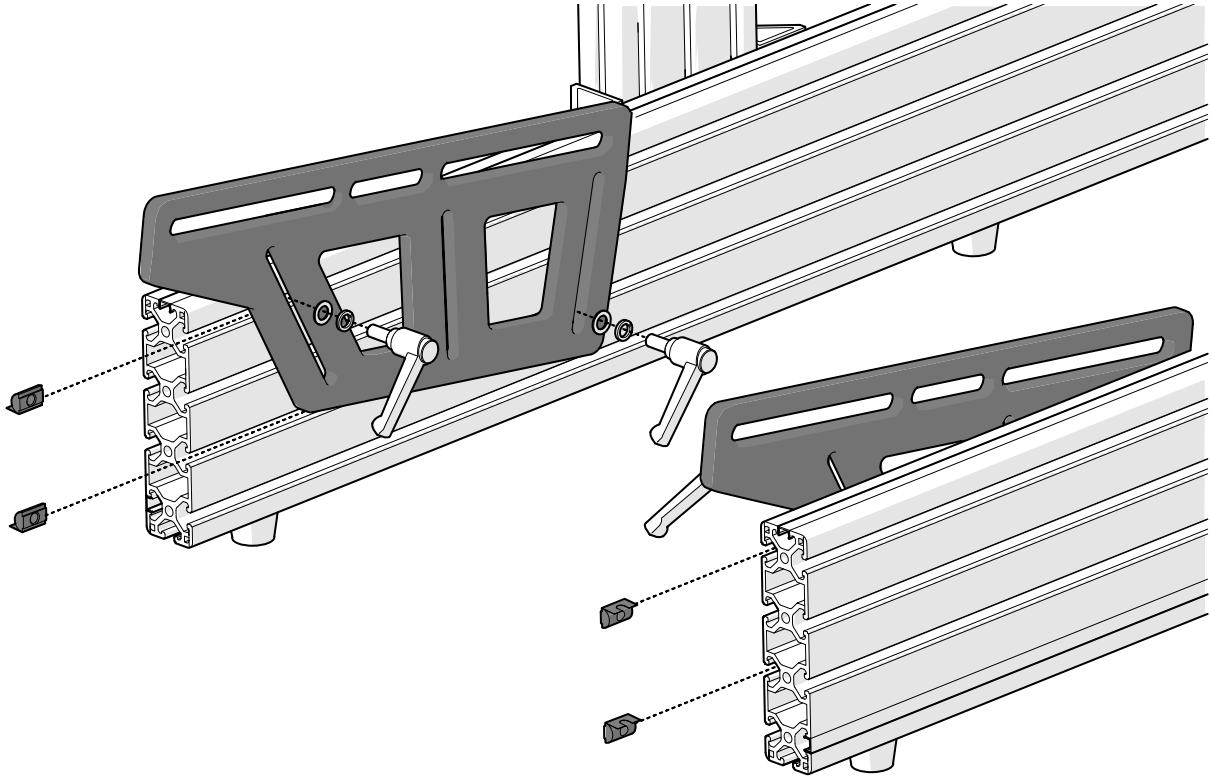
WF-M8 x4



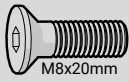
WL-M8 x4



PP-NP-PB x2



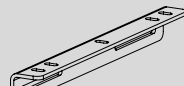
2



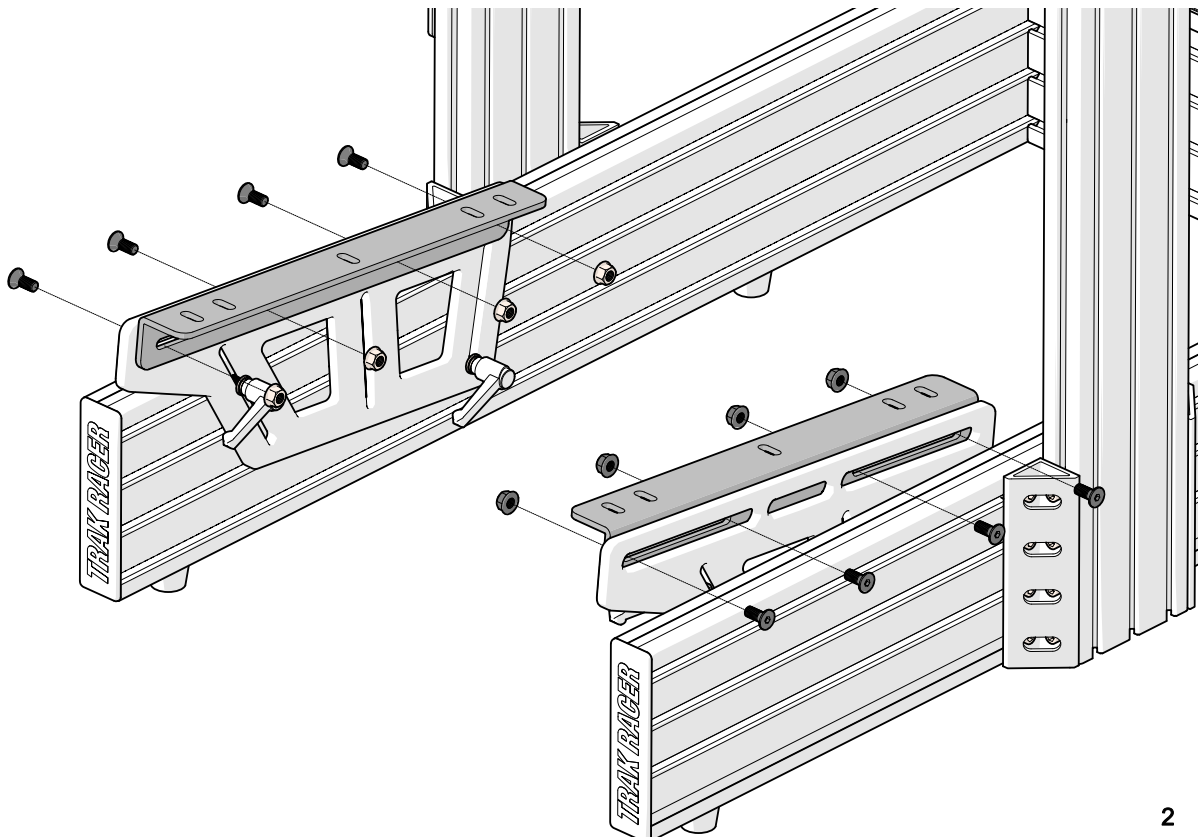
SF-M8-20 x8



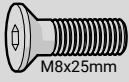
NF-M8 x8



PP-NP-LB x2



3



M8x25mm

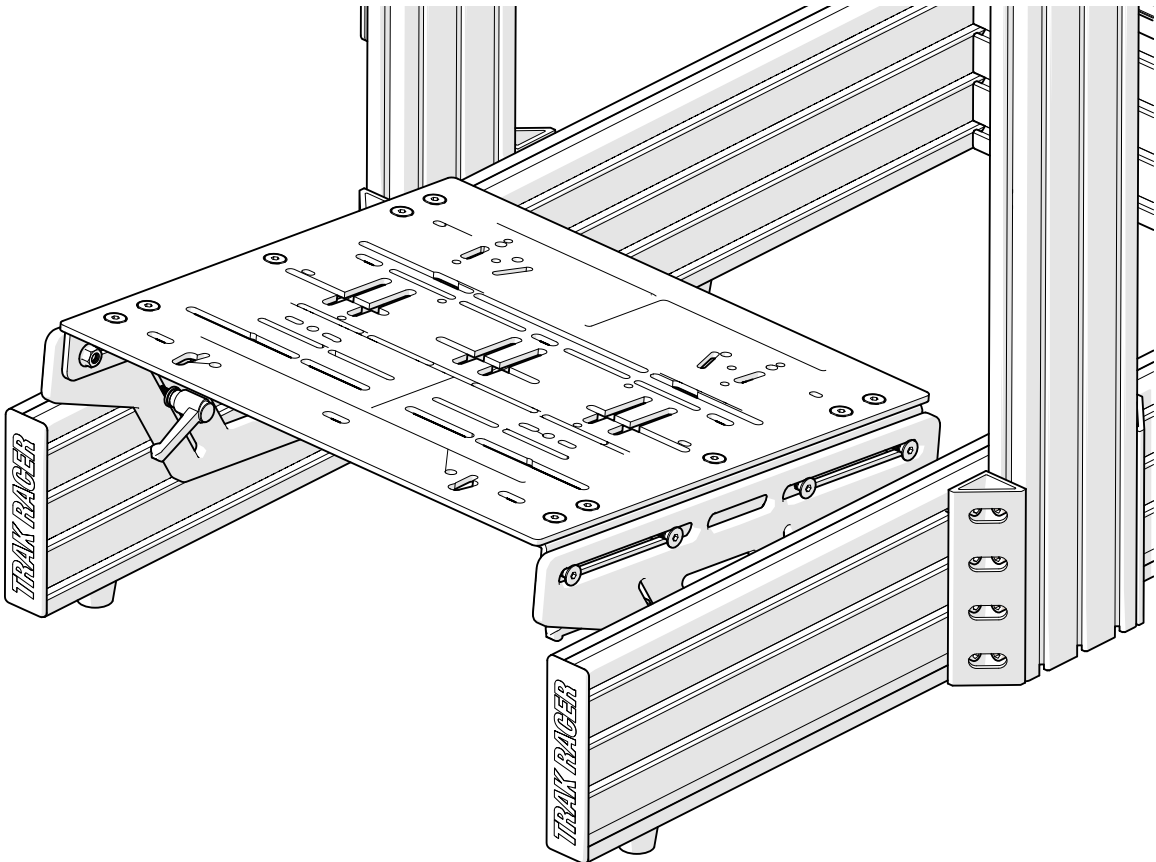
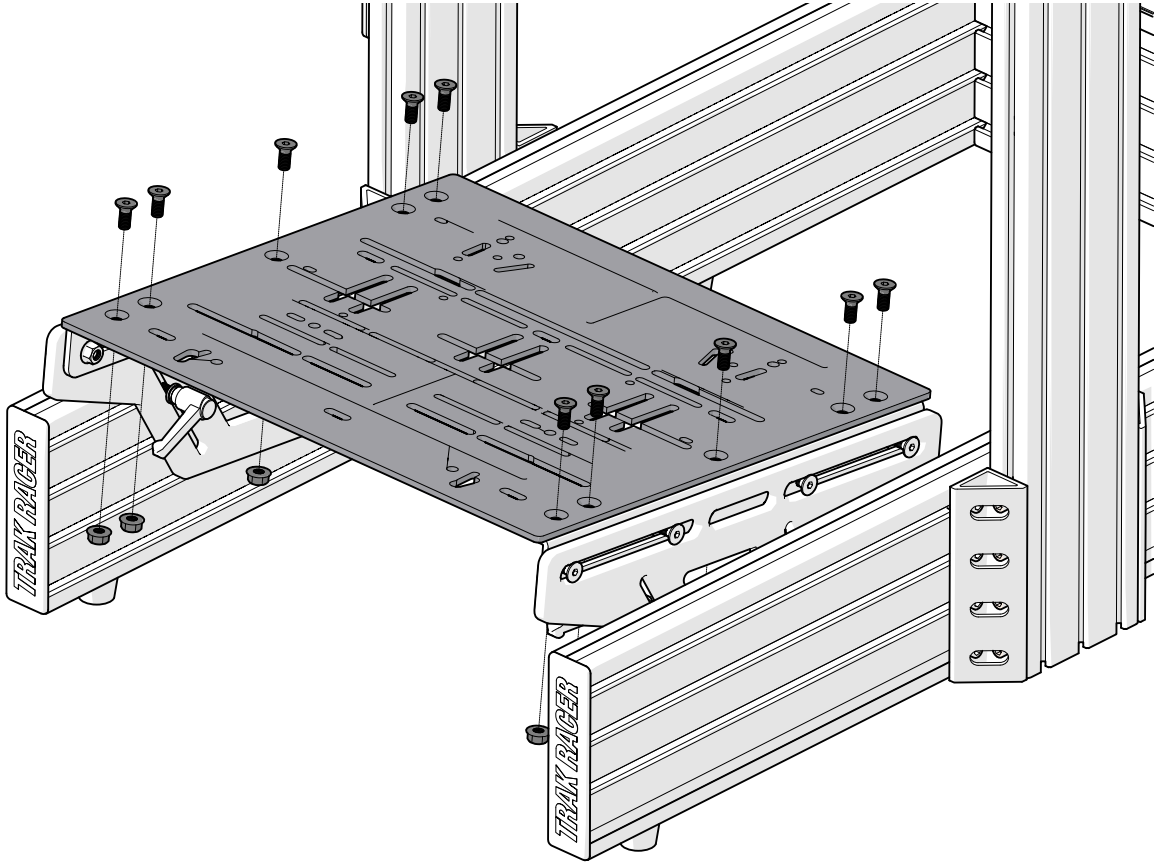
SF-M8-25 x10



NF-M8 x10



PP-80-TP x1



FINISHED



Share your build online and tag us to be featured!



@trakracer



@trakracer



@trak_racer