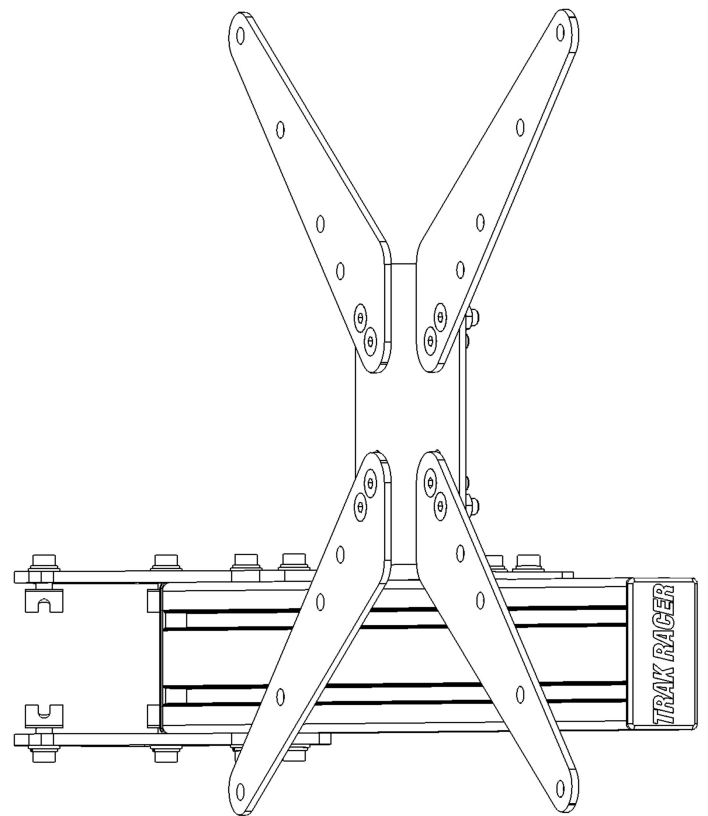
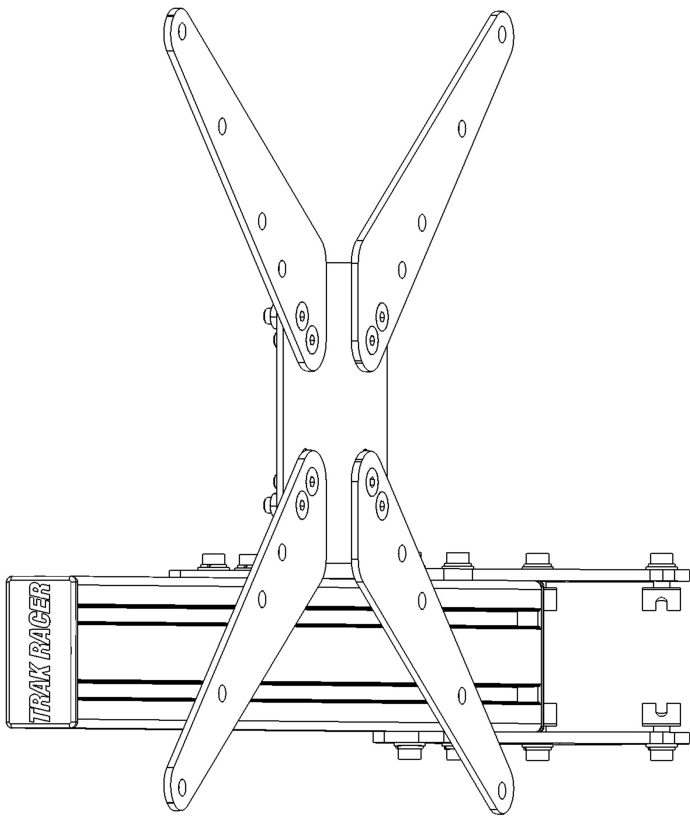


# ALUMINIUM ADD-ON ARMS FOR TRIPLE MONITOR STAND

*Instruction manual*

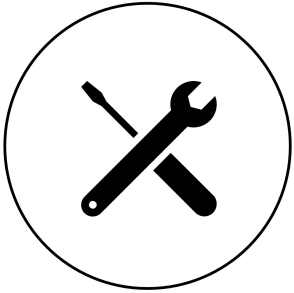


TR80-TMARM4

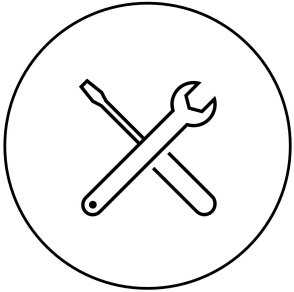




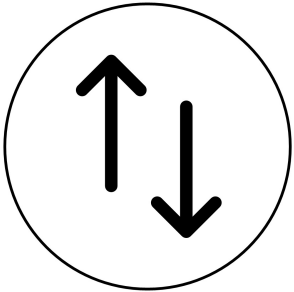
- Two people needed



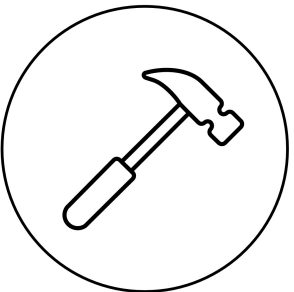
- Tighten hardware



- Leave hardware loose for adjustment



- Make Adjustment

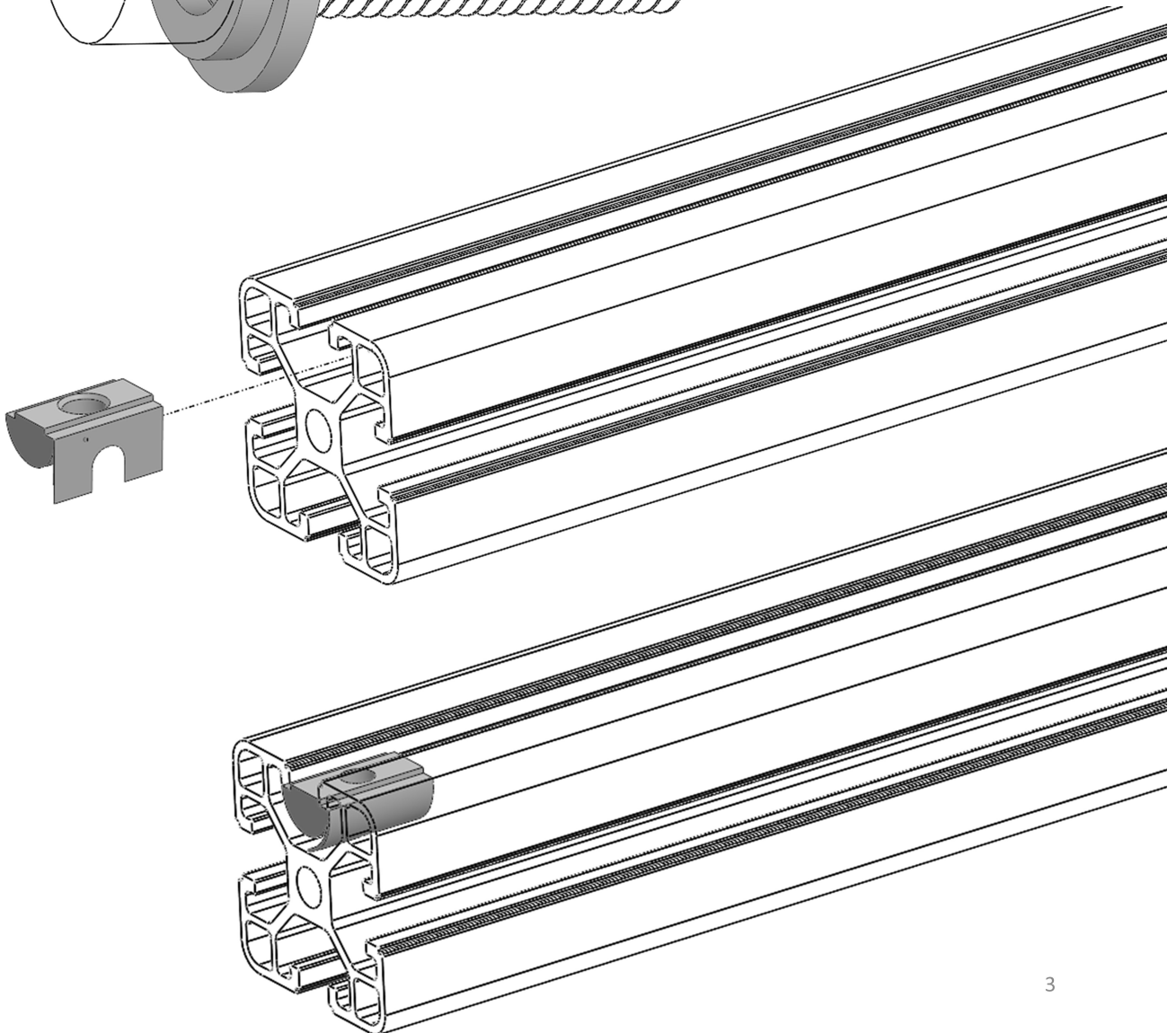
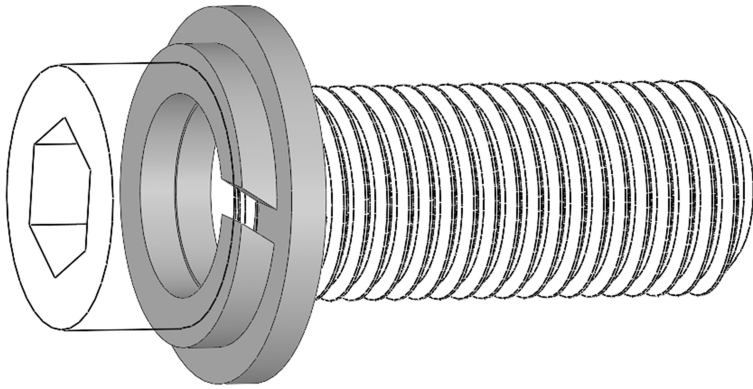
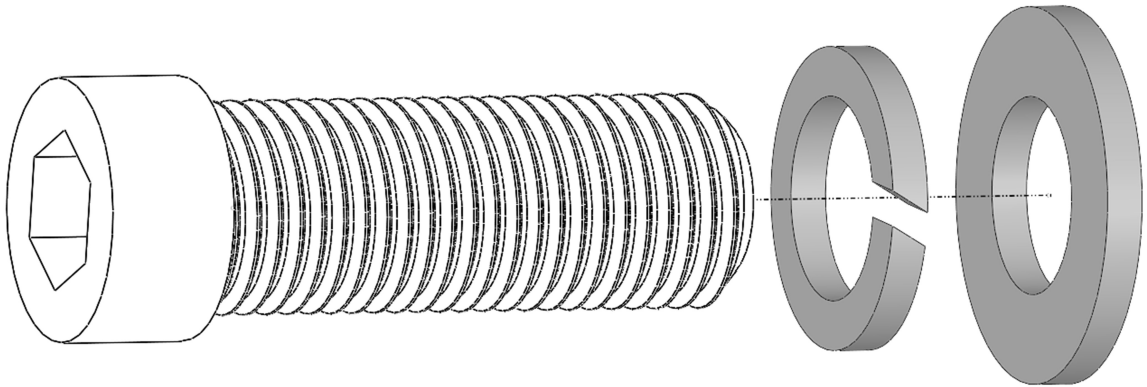


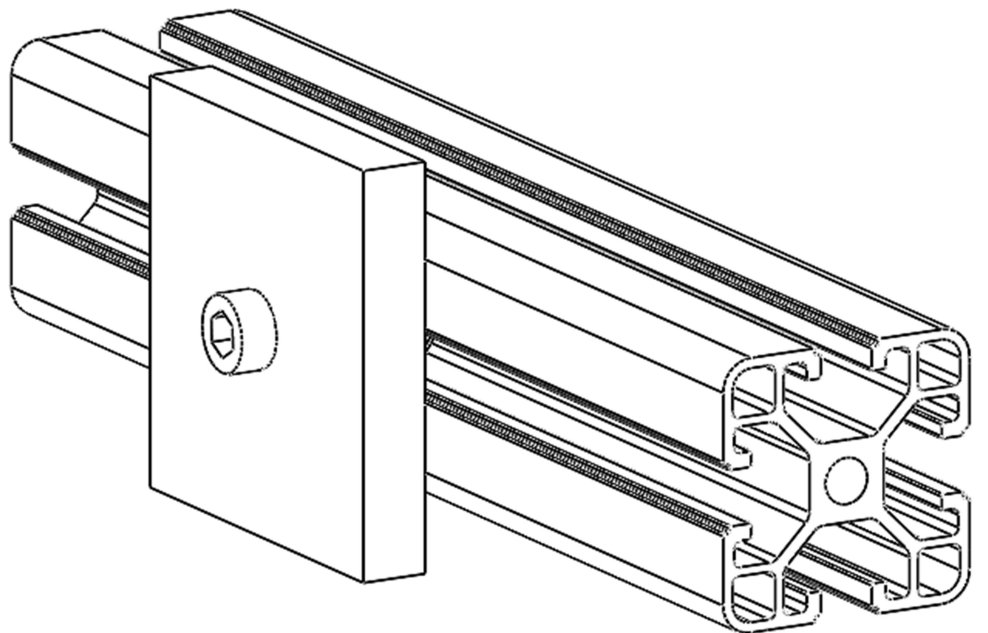
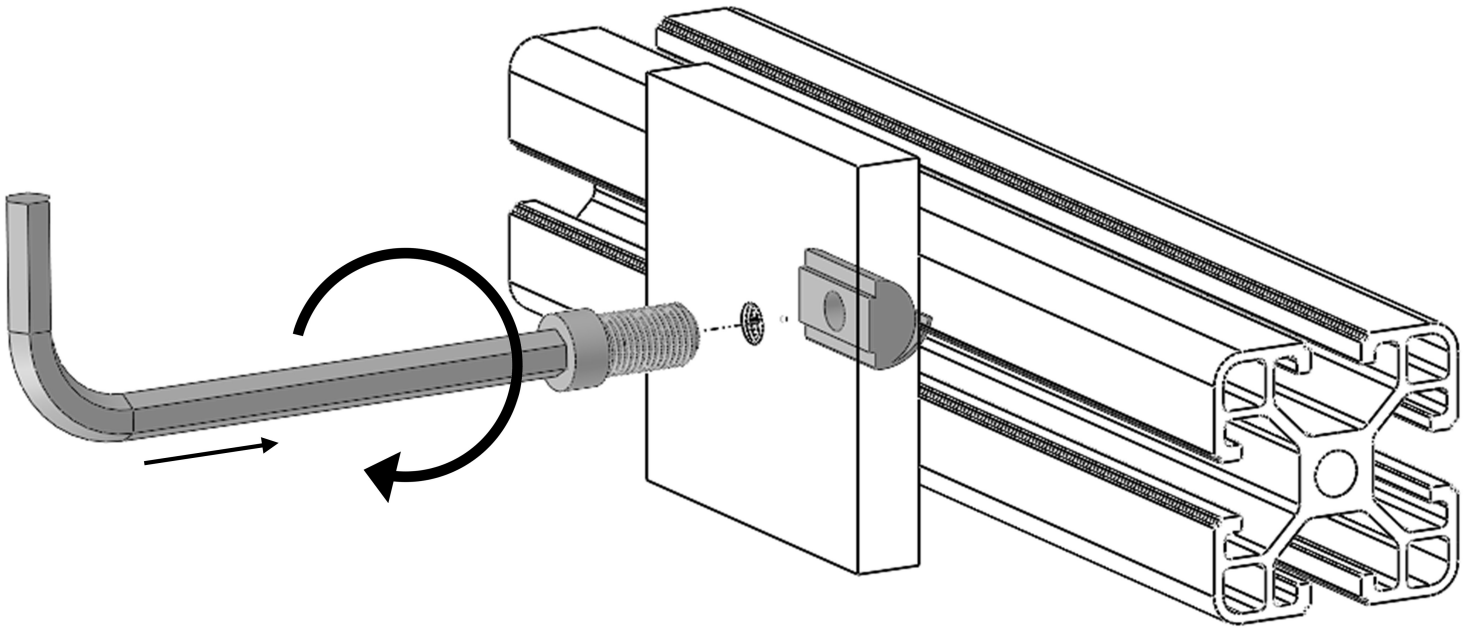
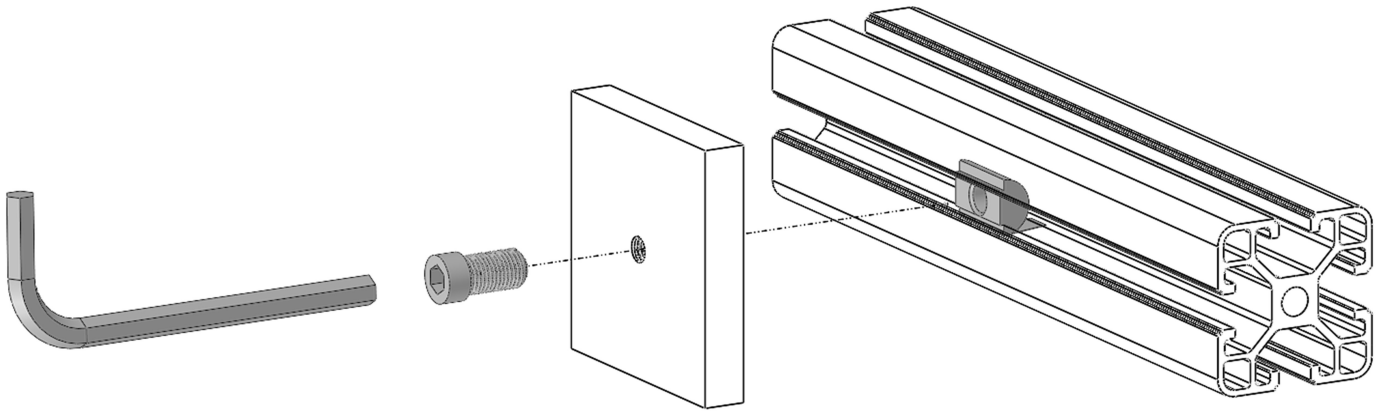
- Break tab off Corner bracket CB1  
(Page 6)



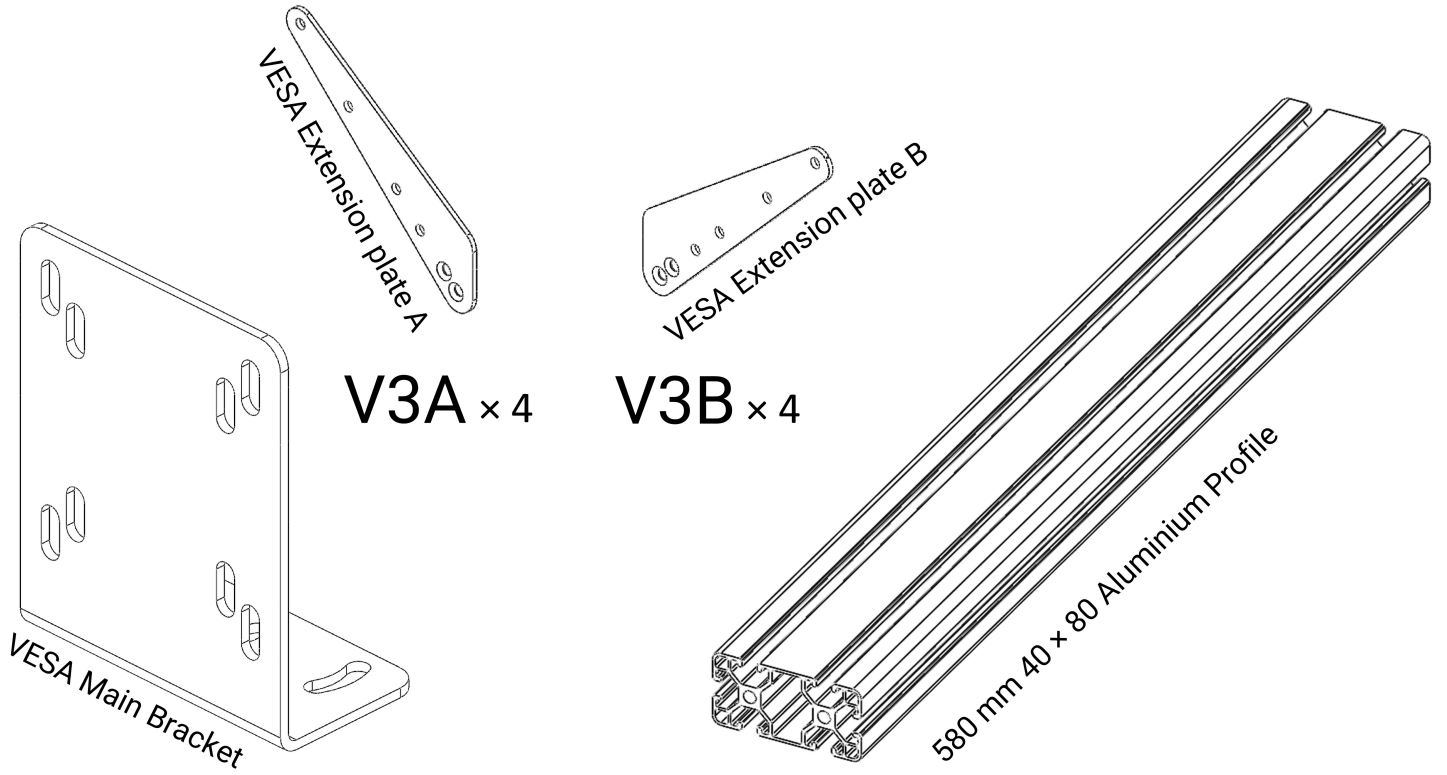
- Safety glasses needed

# NOTE



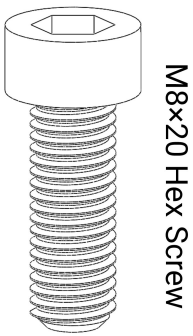


# TR80-TMARM4

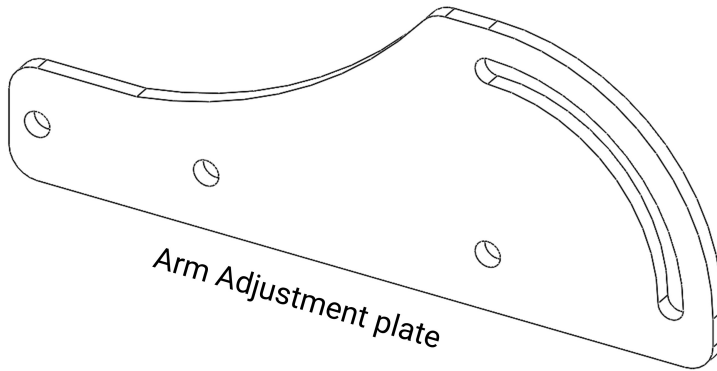


V3 x 2

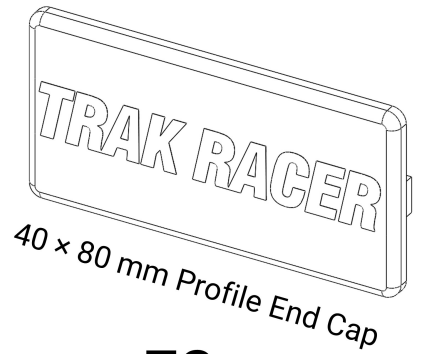
P4 x 2



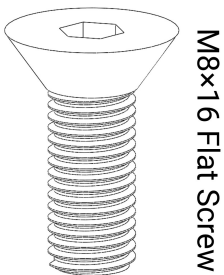
S3 x 22



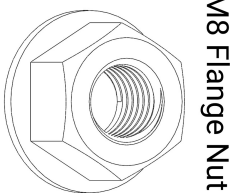
AP1 x 4



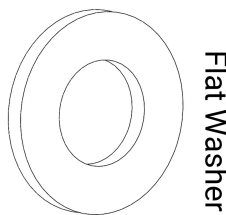
E2 x 4



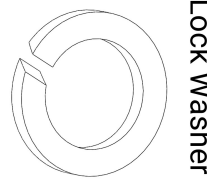
S10 x 16



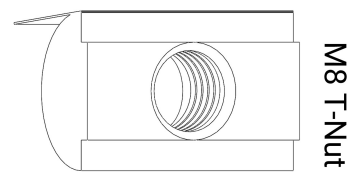
N1 x 16



W1 x 22

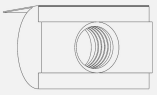
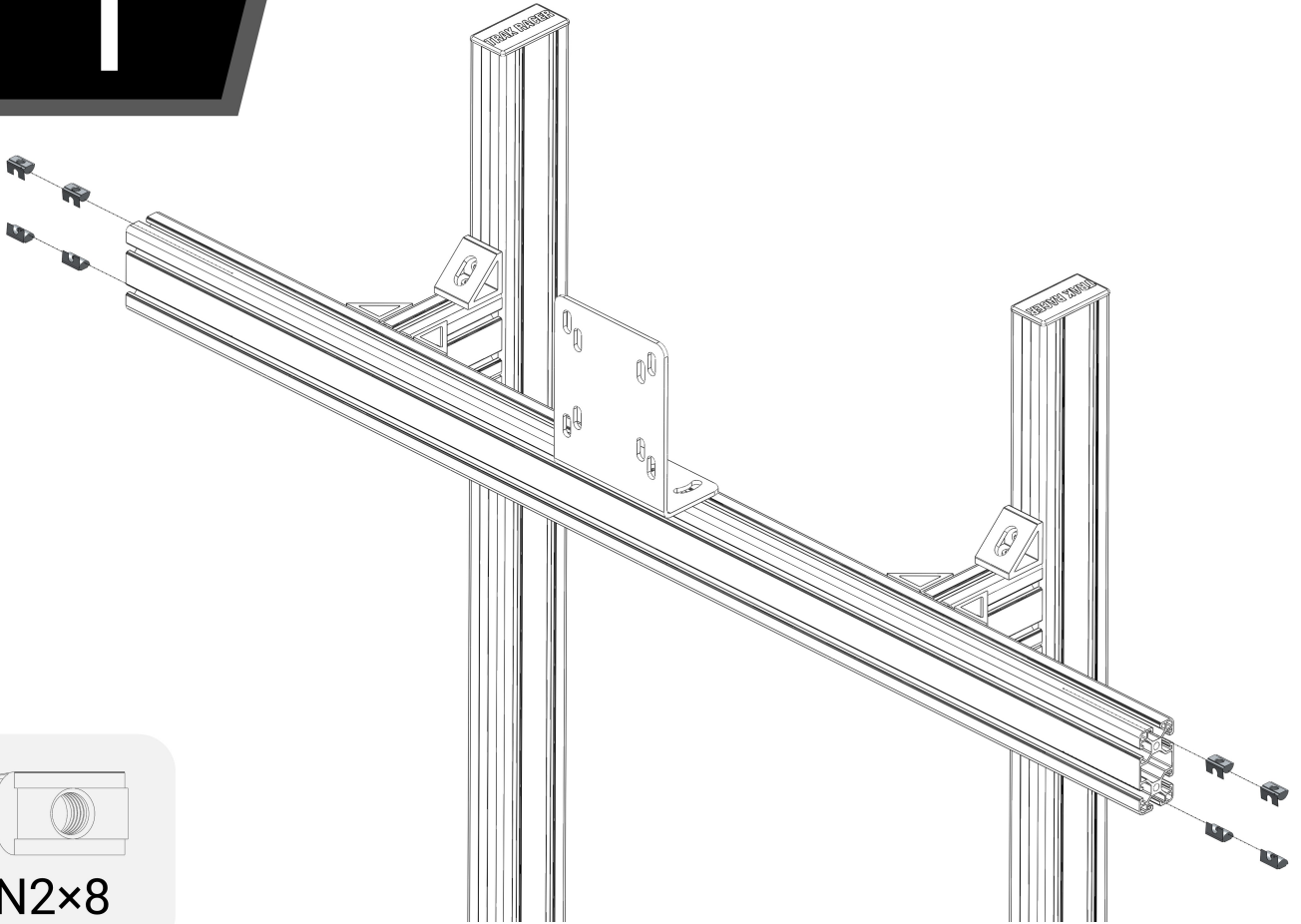


W2 x 22



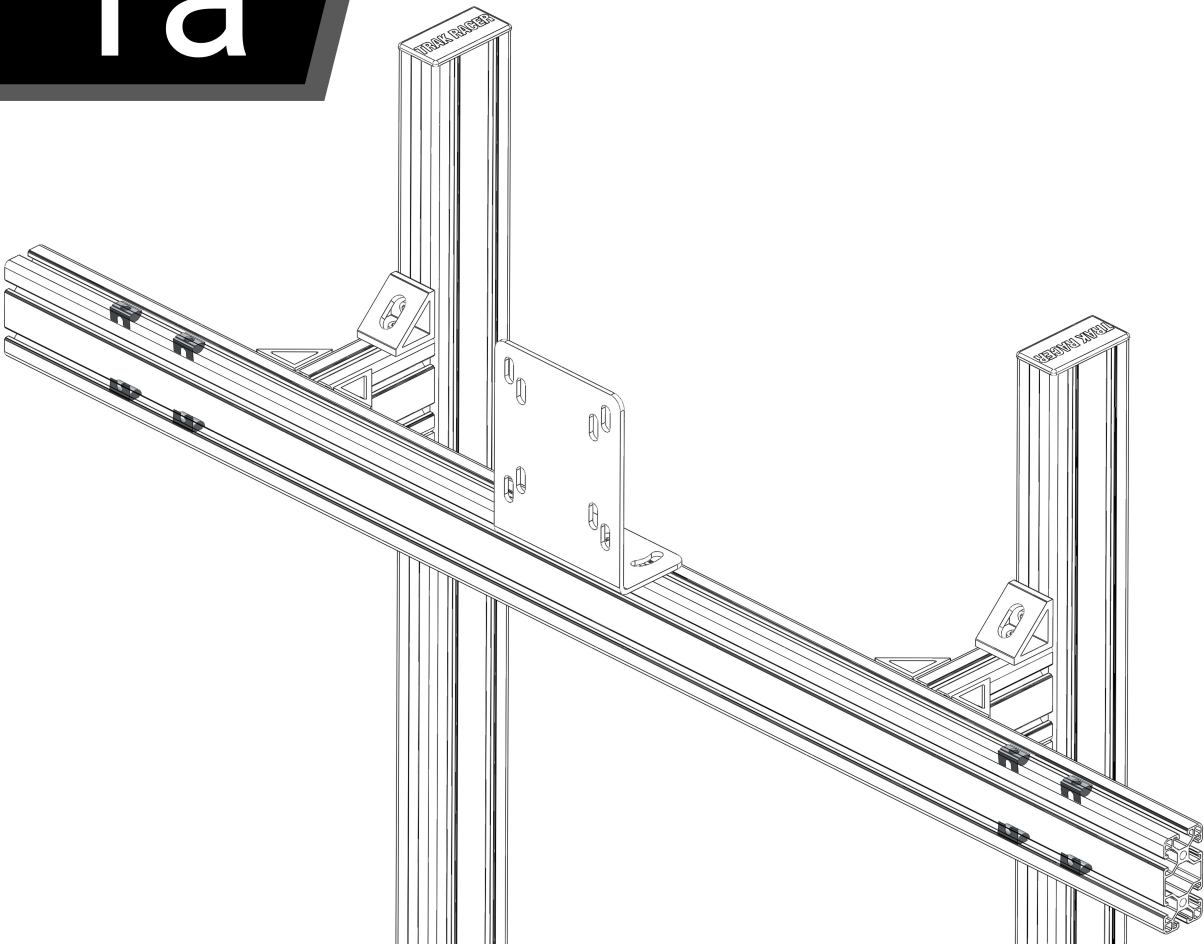
N2 x 22

1

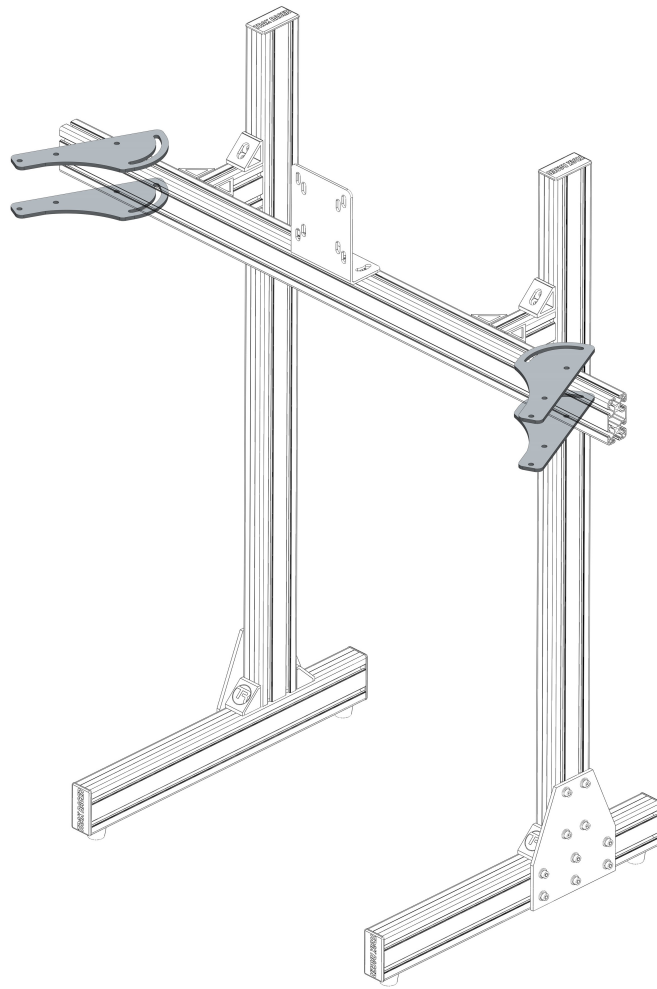


N2x8

1a

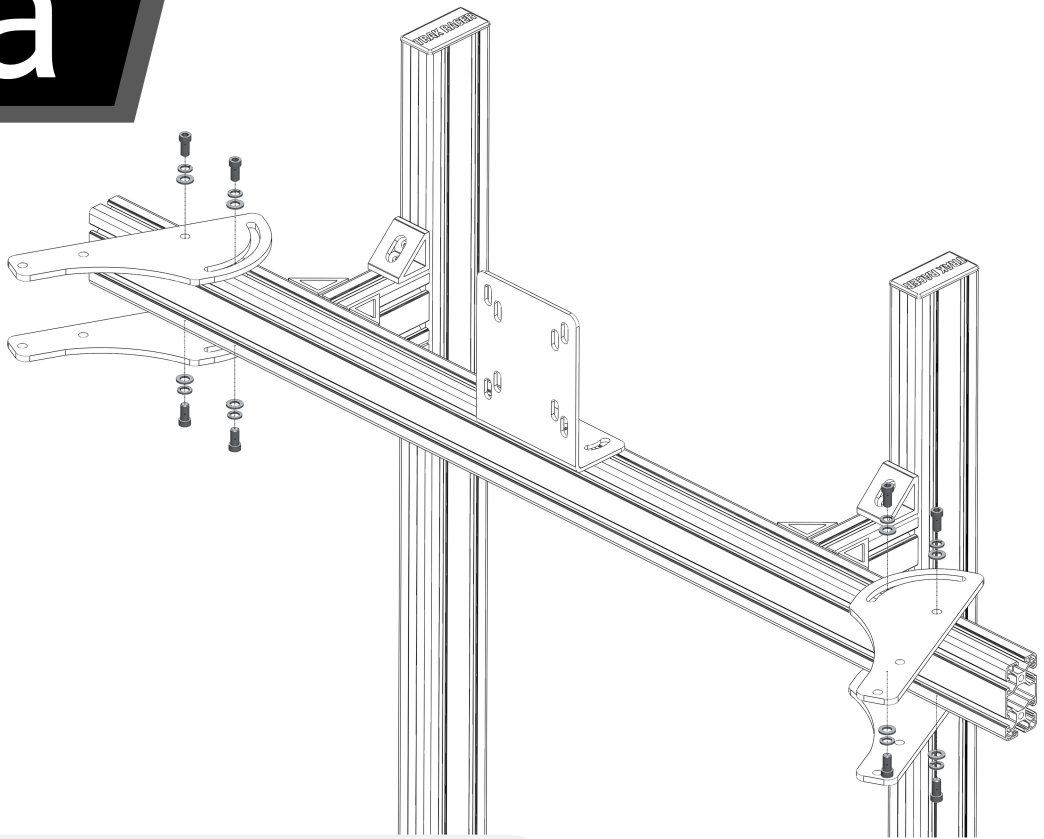


# 2



AP1x4

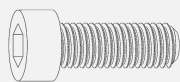
# 2a



W1x8



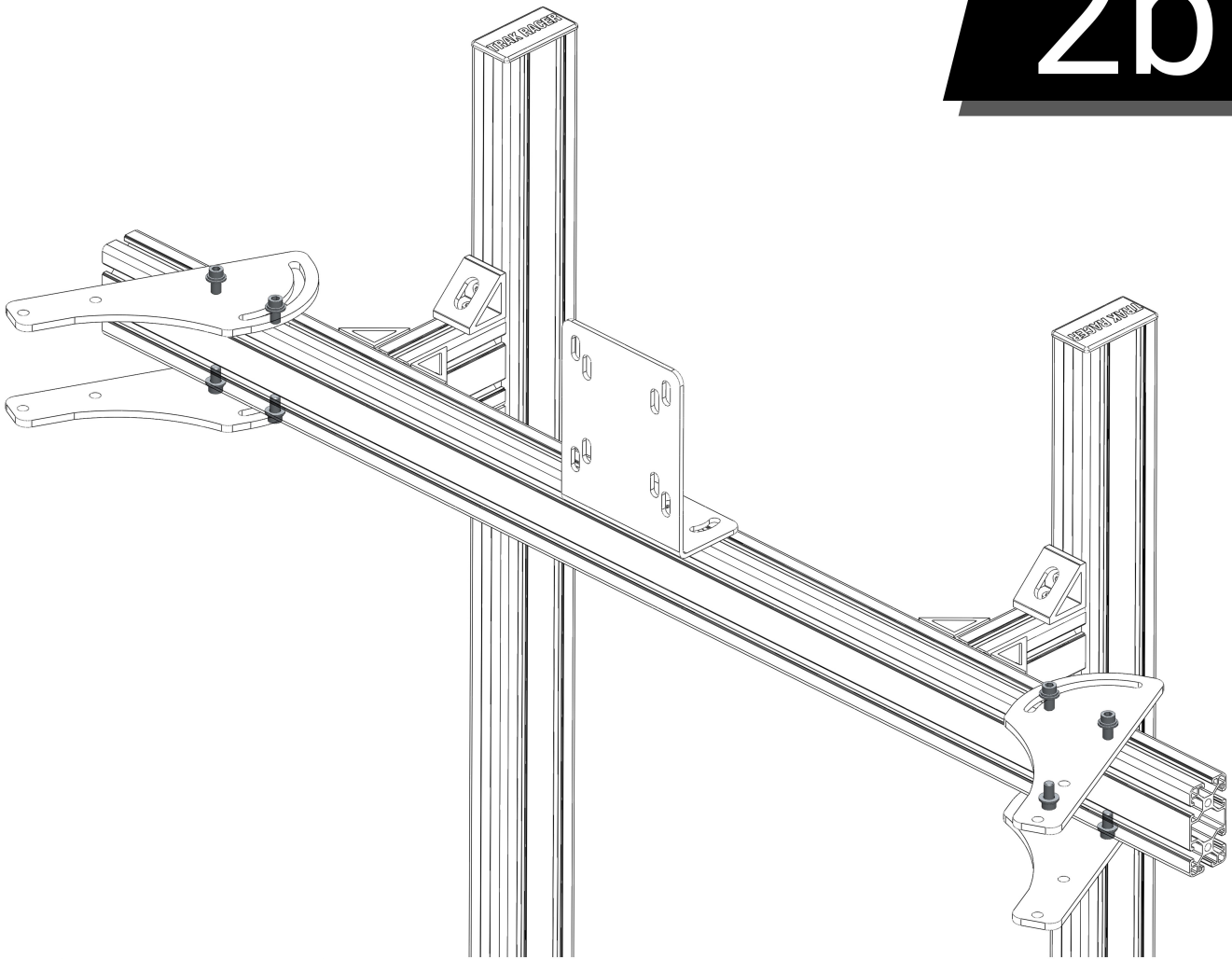
W2x8



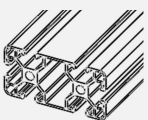
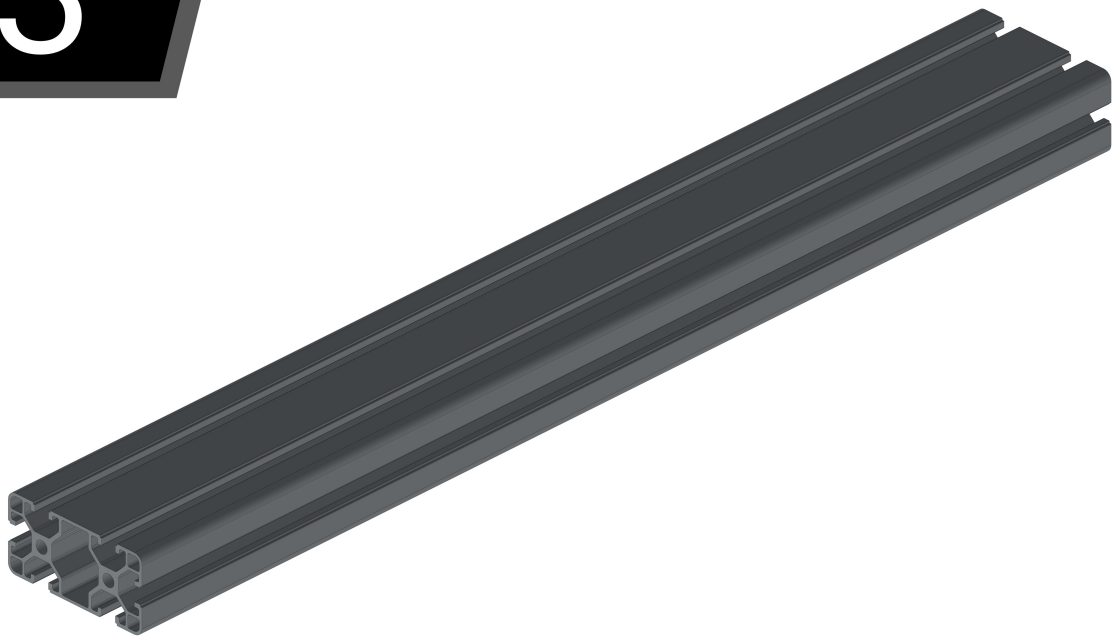
S3x8



2b

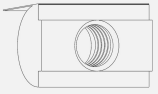
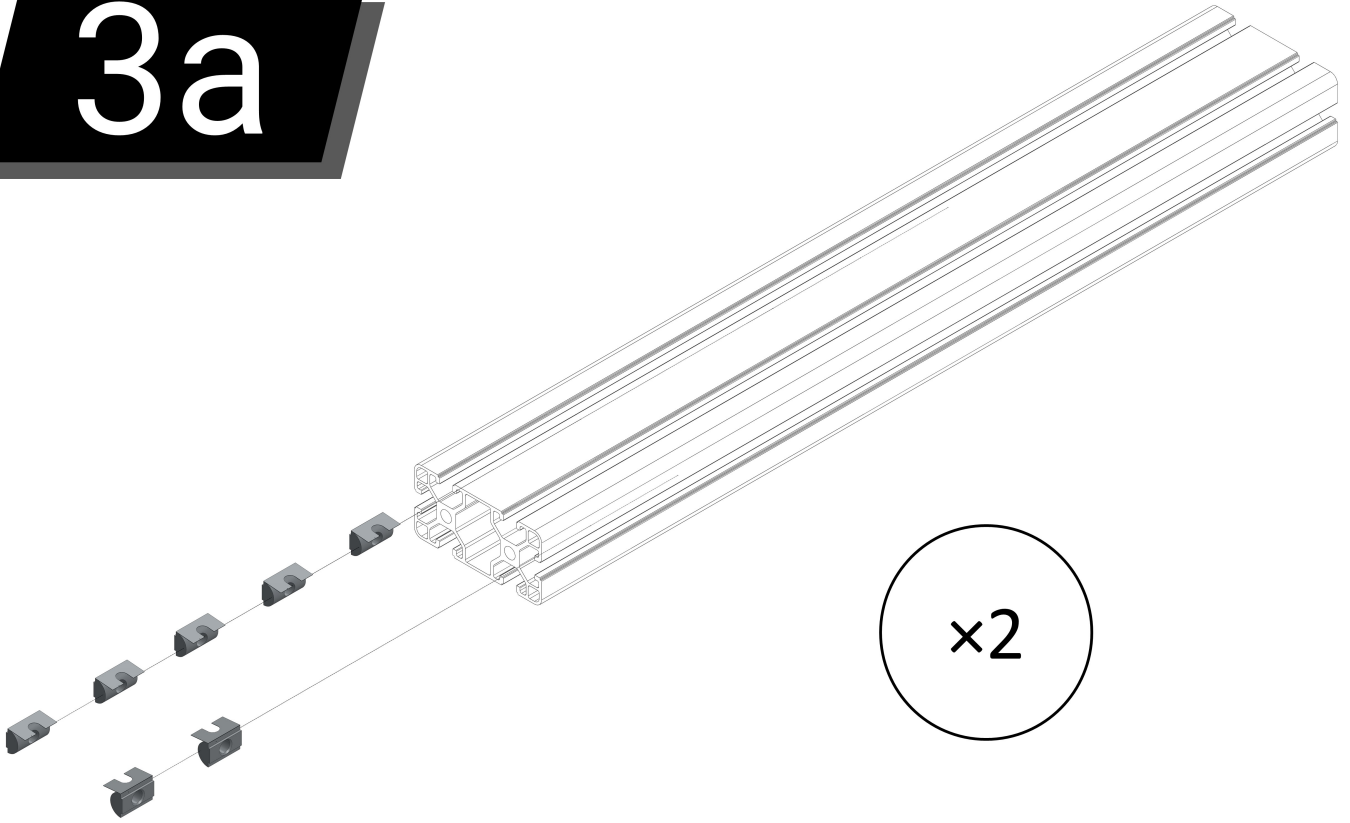


3



P4x2

3a

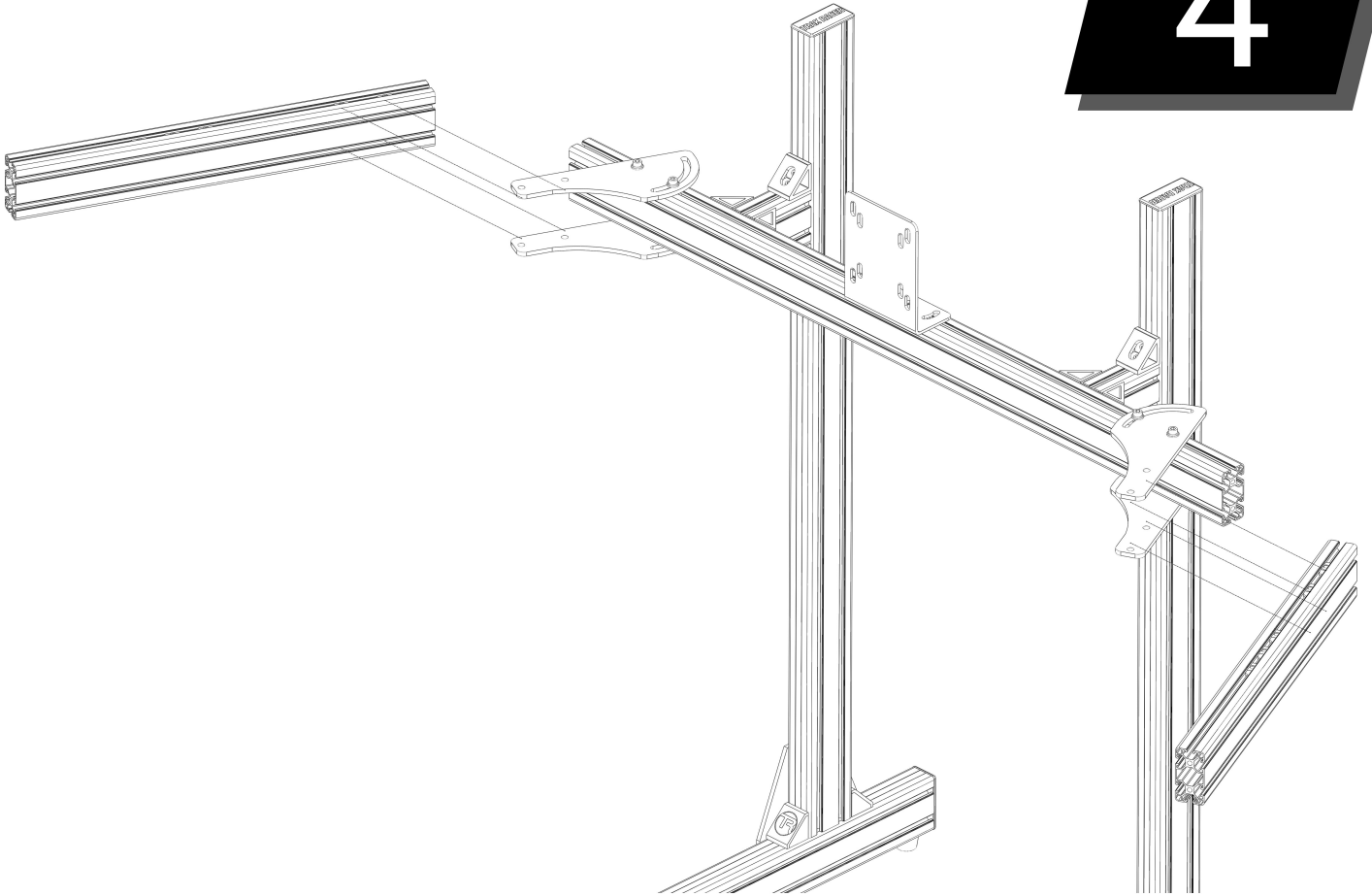


N2x14

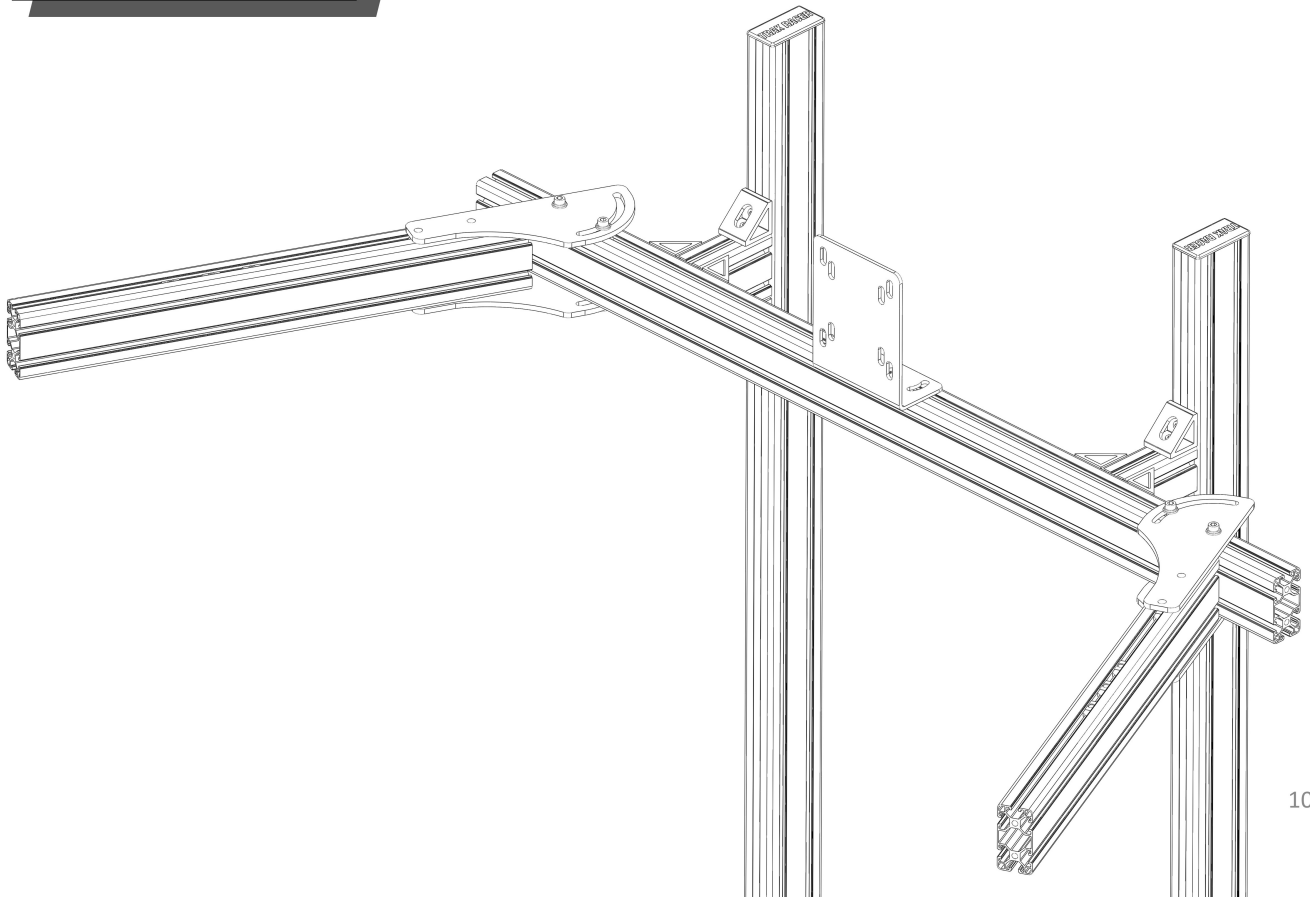
3b



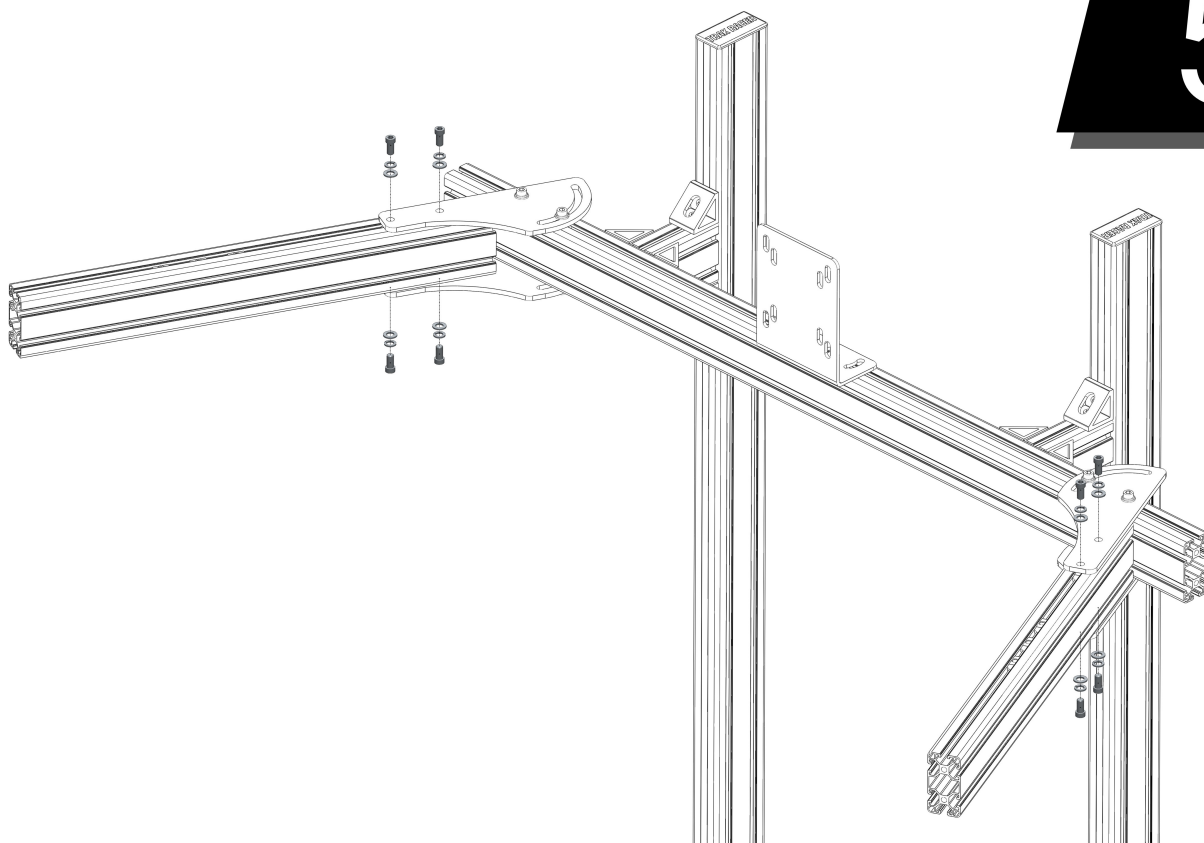
4



4a



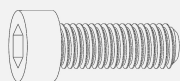
5



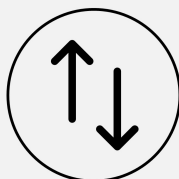
W1x8



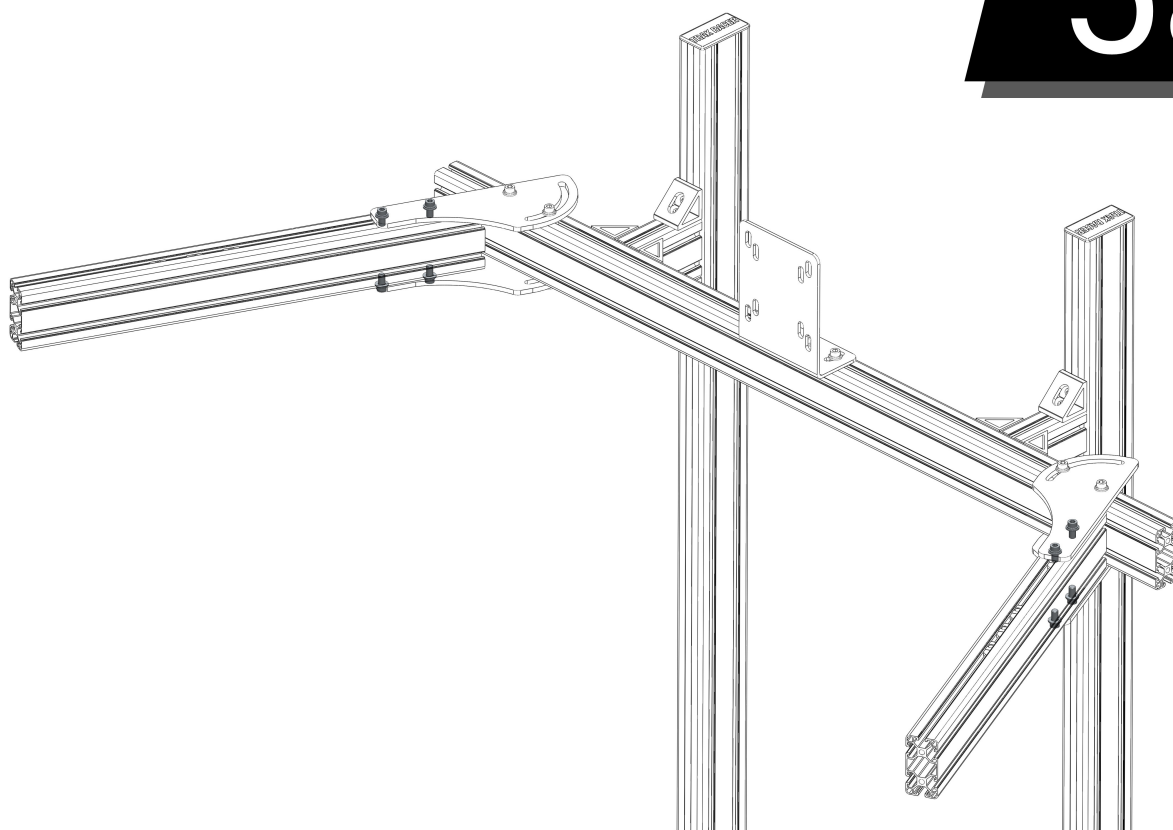
W2x8



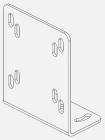
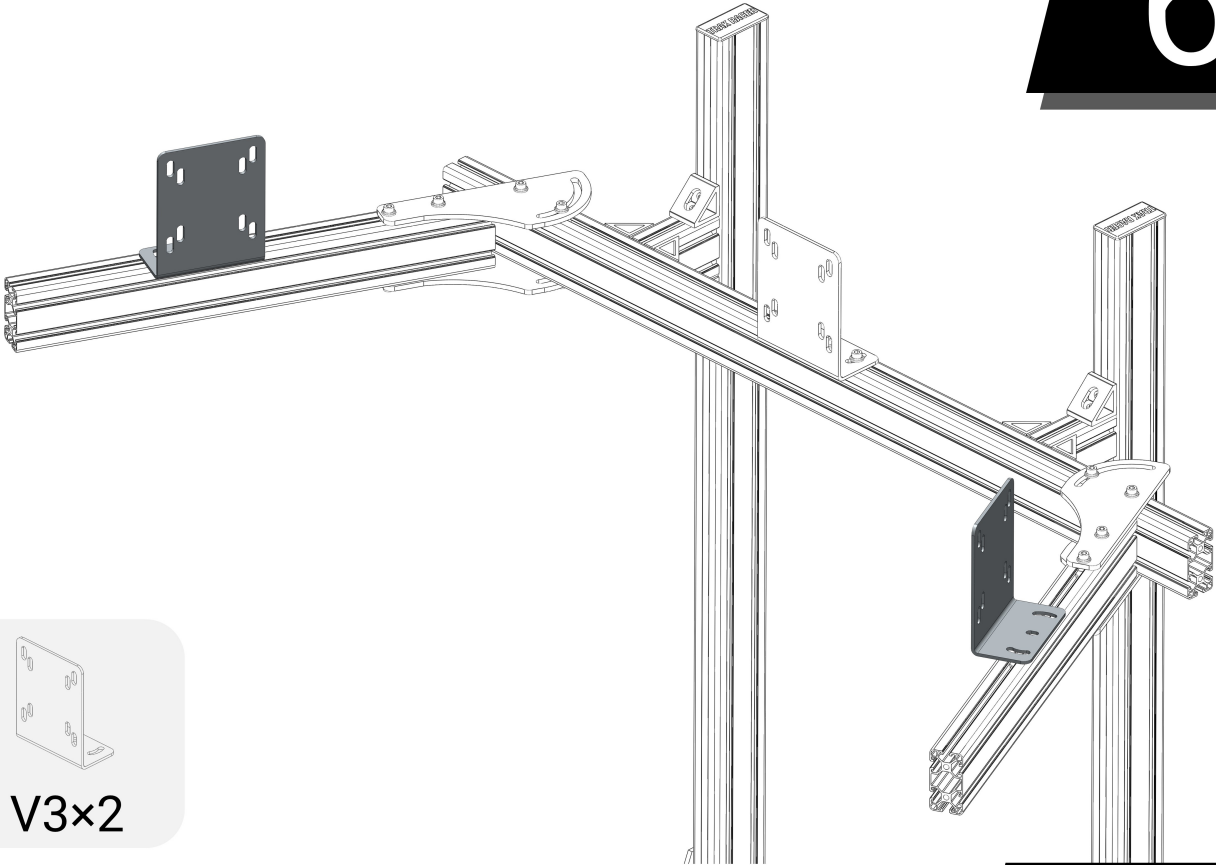
S3x8



5a

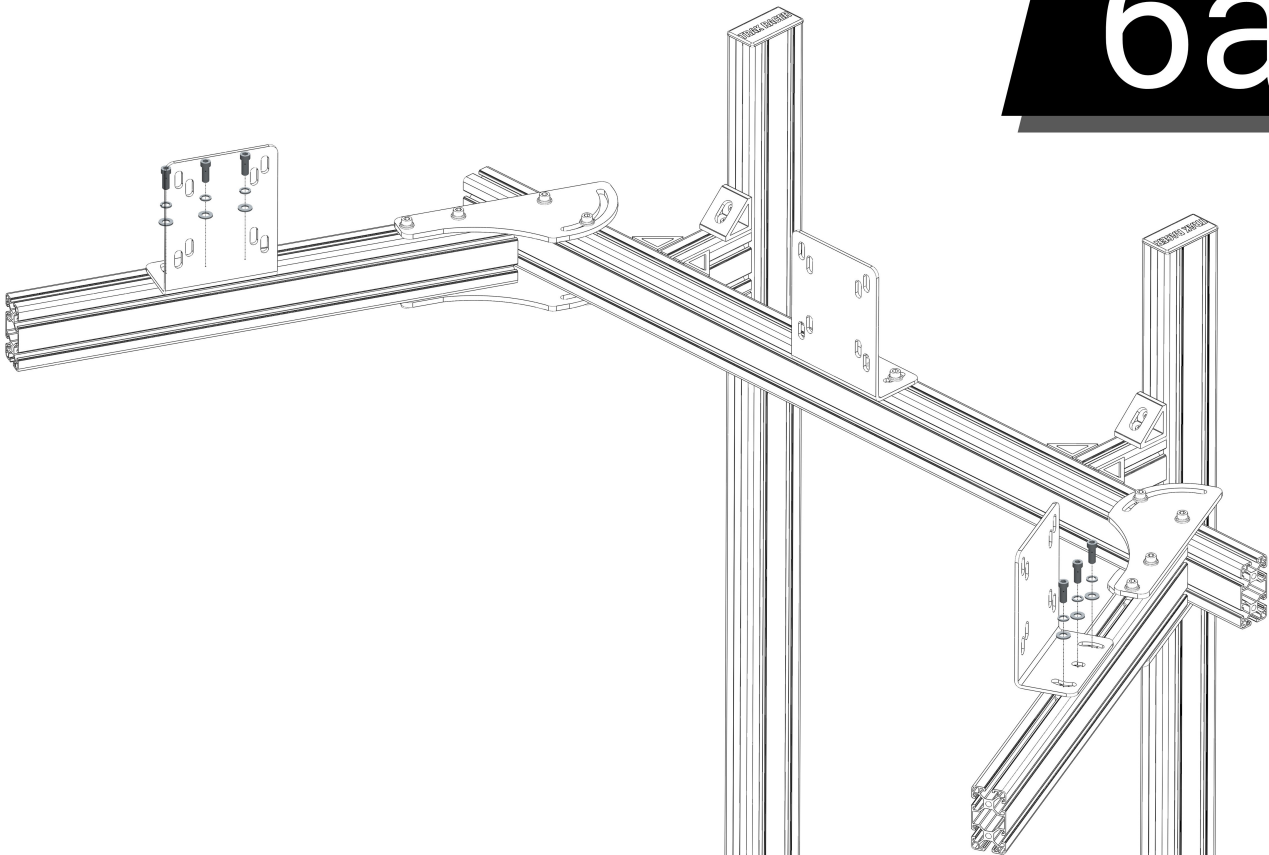


6



V3x2

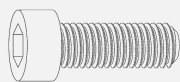
6a



W1x6



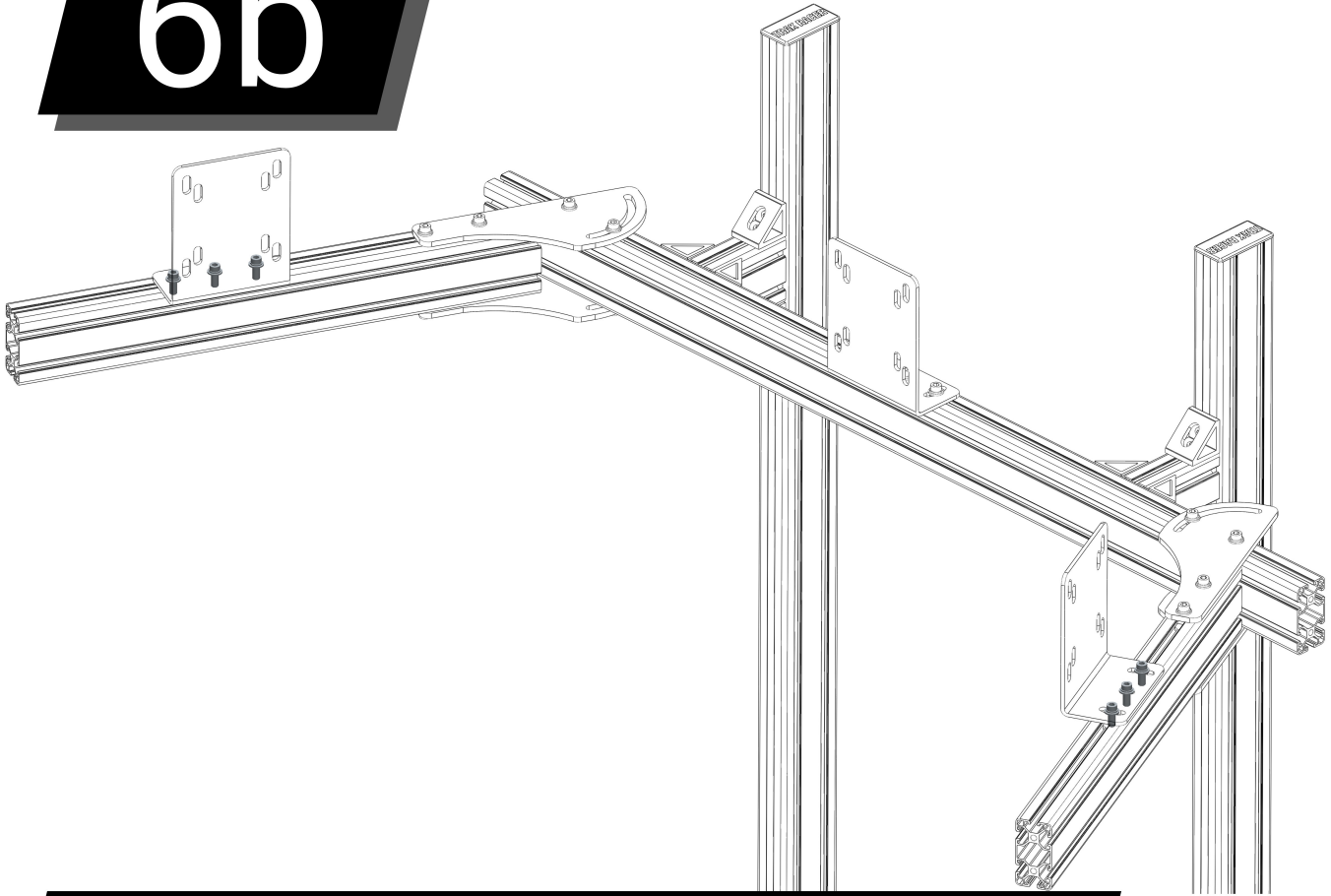
W2x6



S3x6

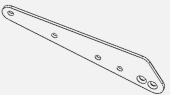
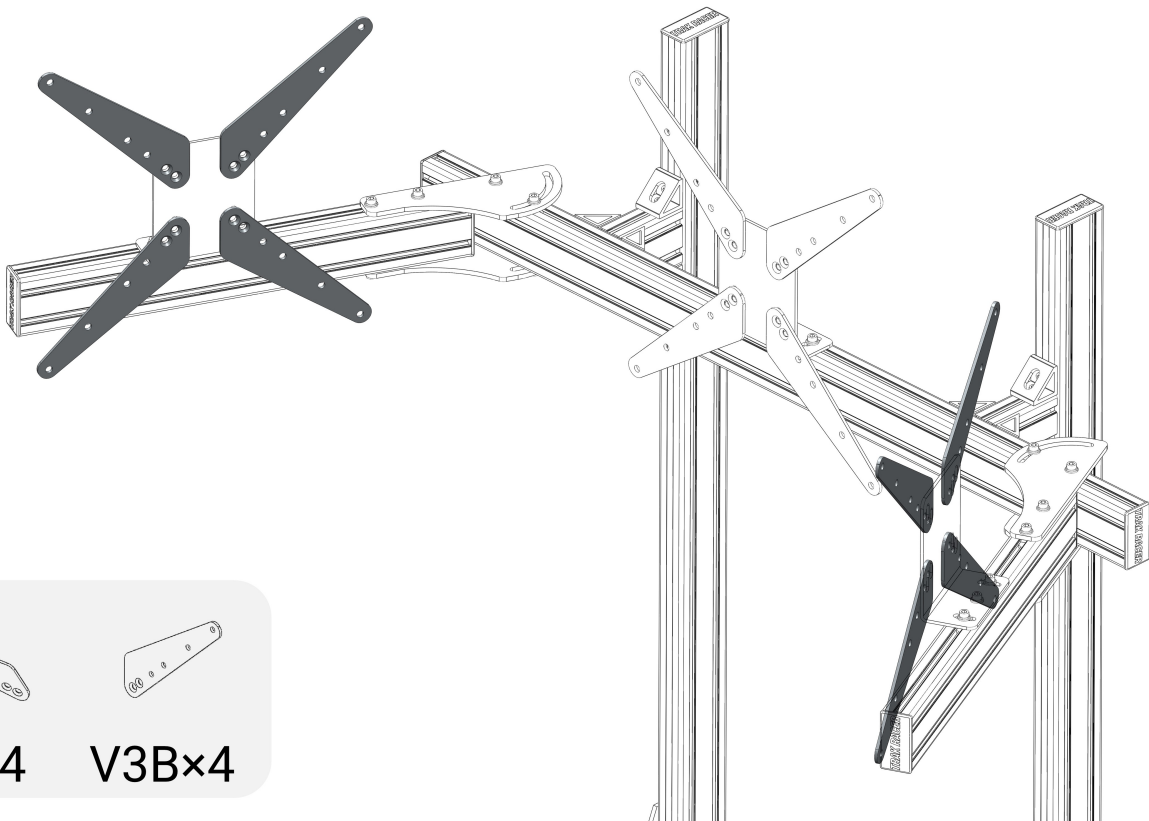


# 6b

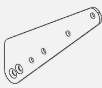


# 6c Optional

Note: To add a larger monitor follow the below assembly

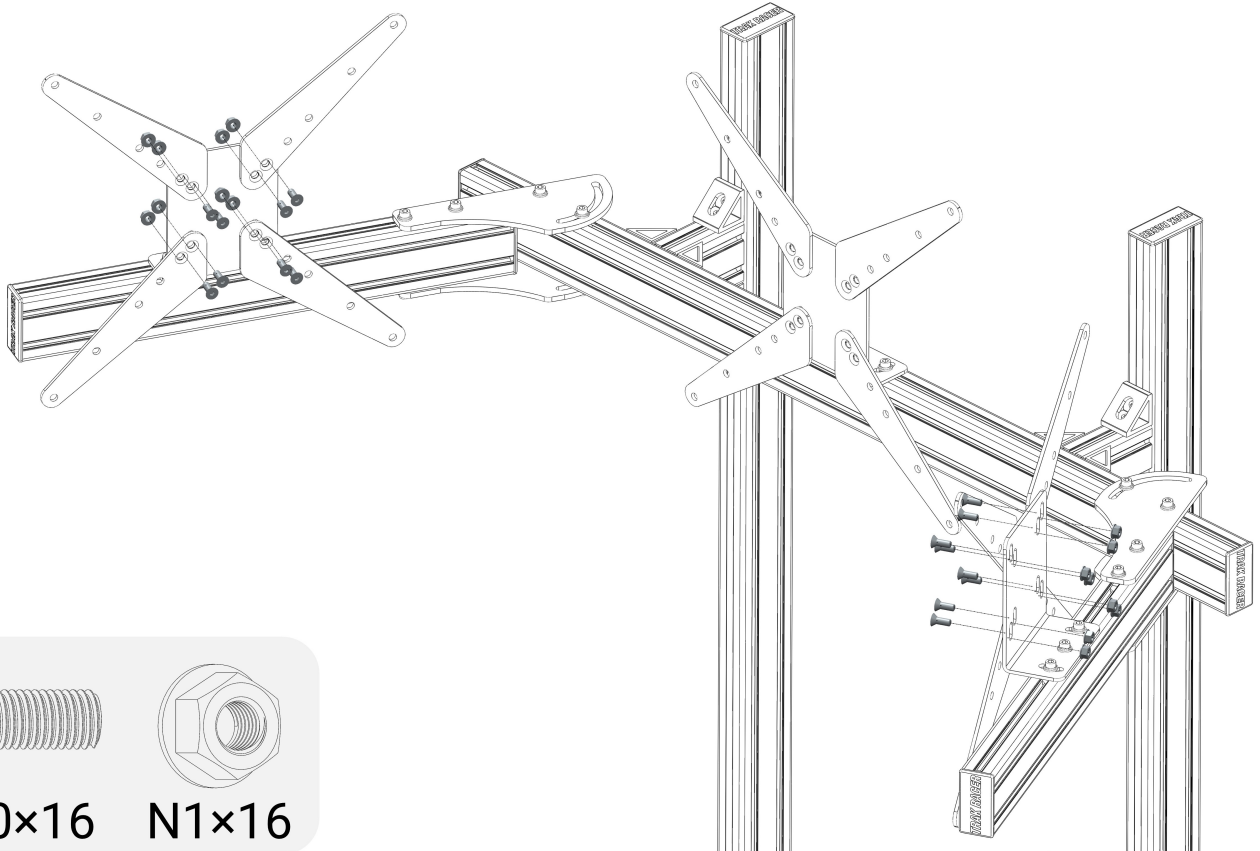


V3A×4

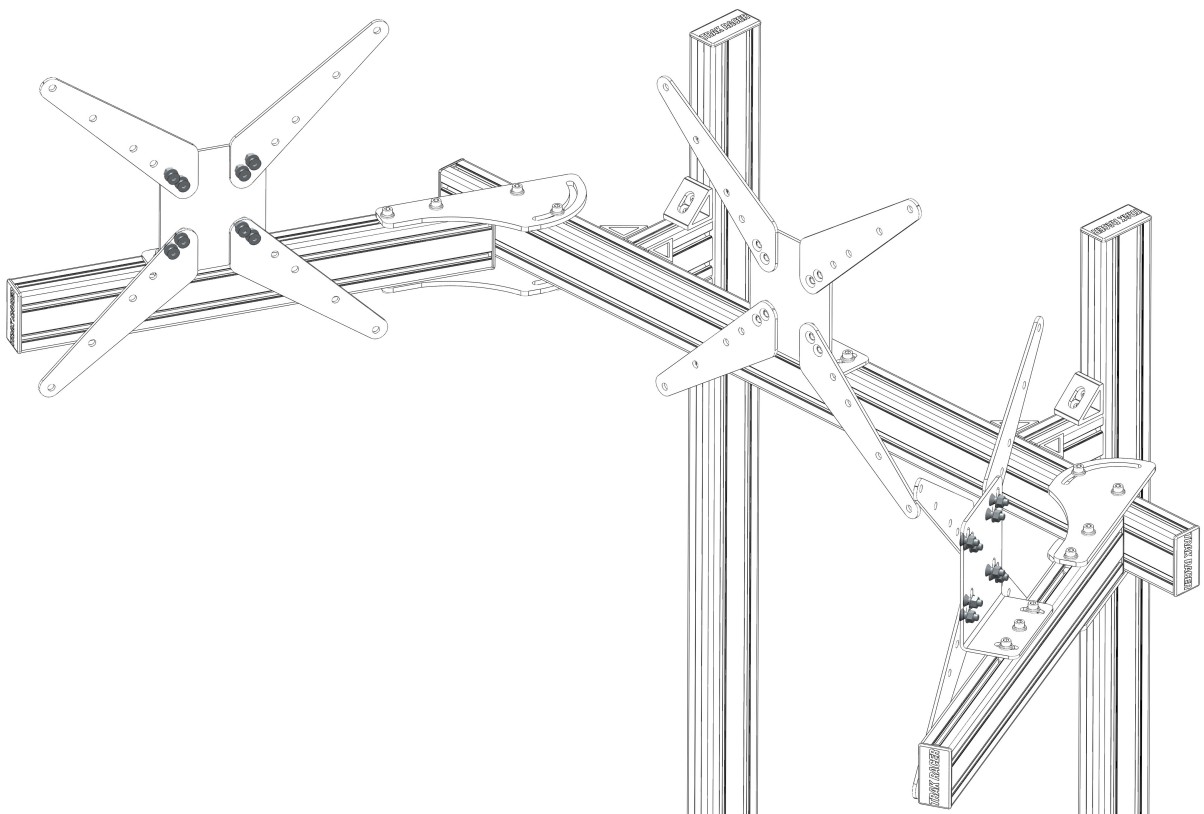


V3B×4

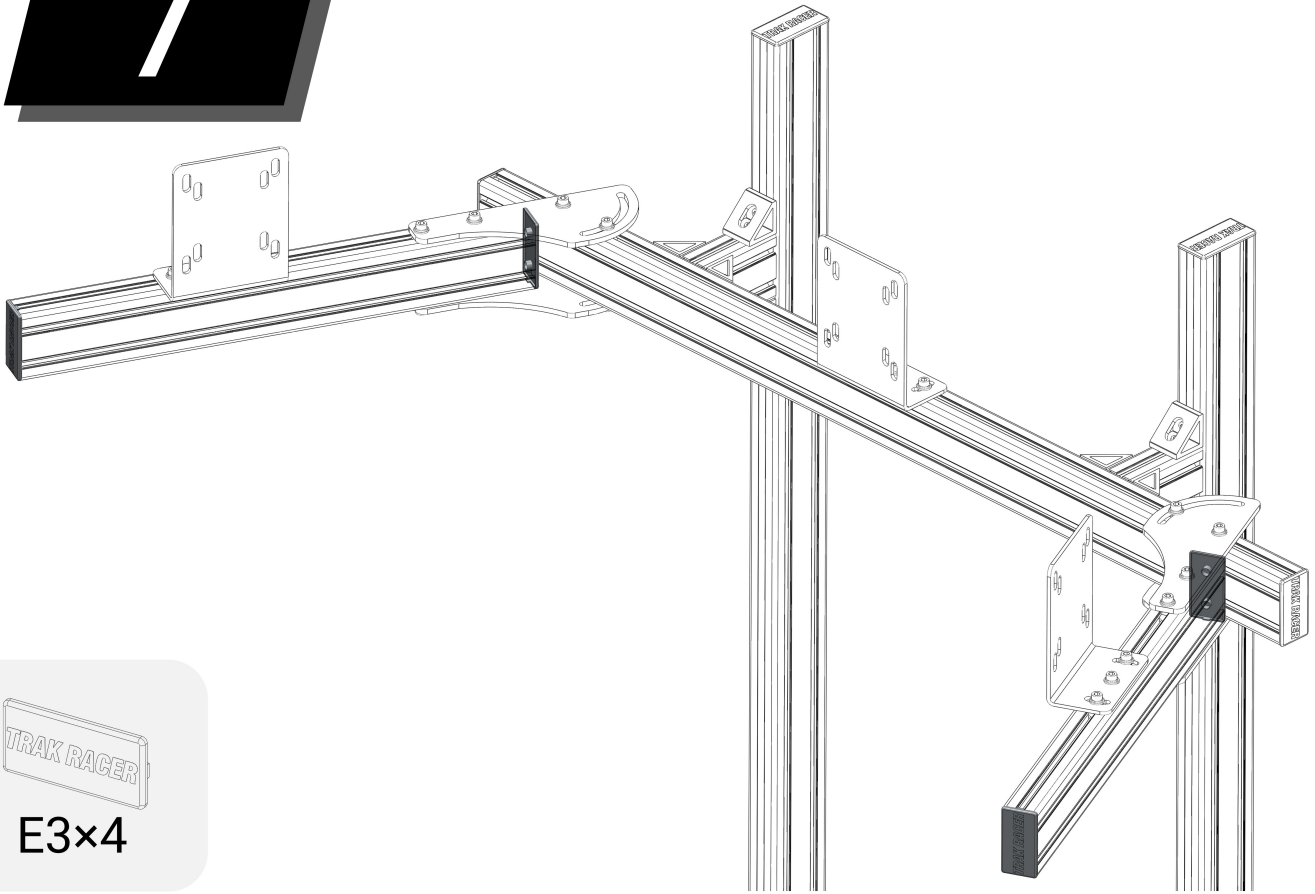
# 6d Optional



# 6e Optional

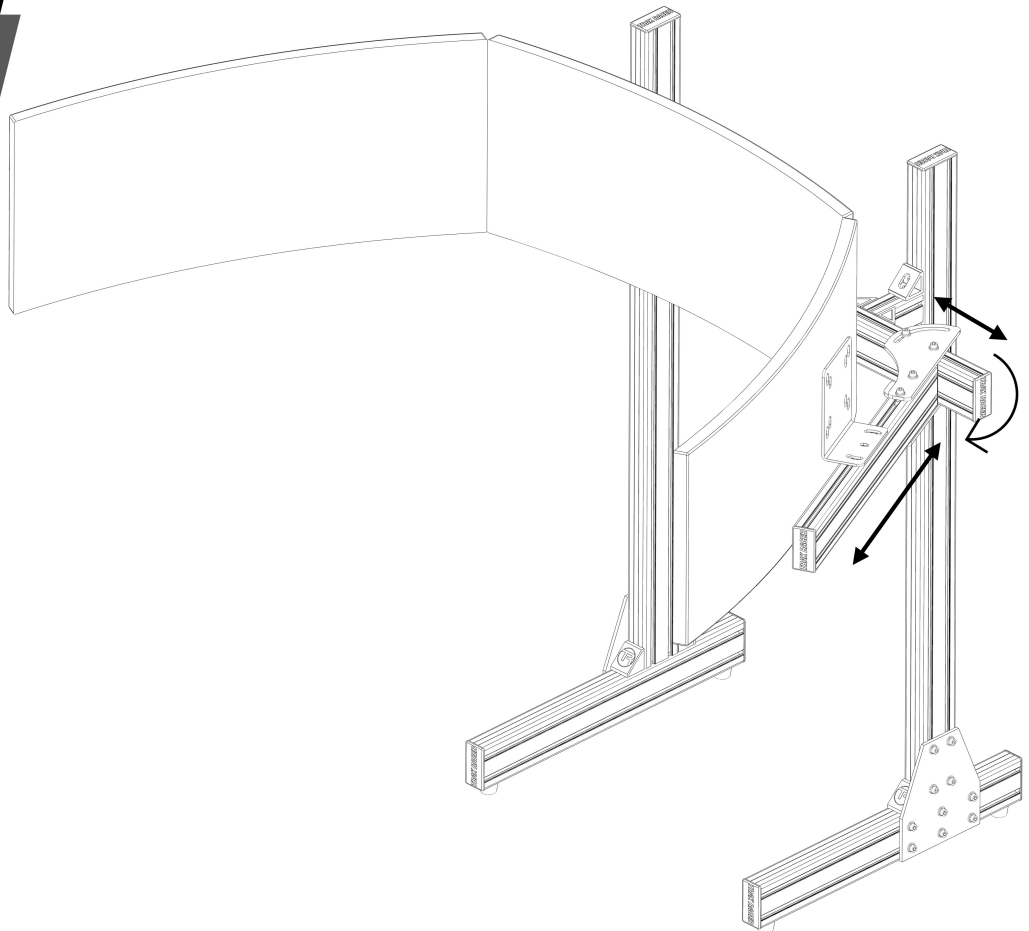


# 7

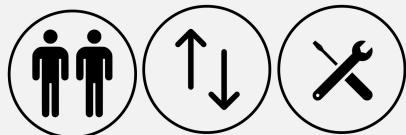


TRAK RACER  
E3x4

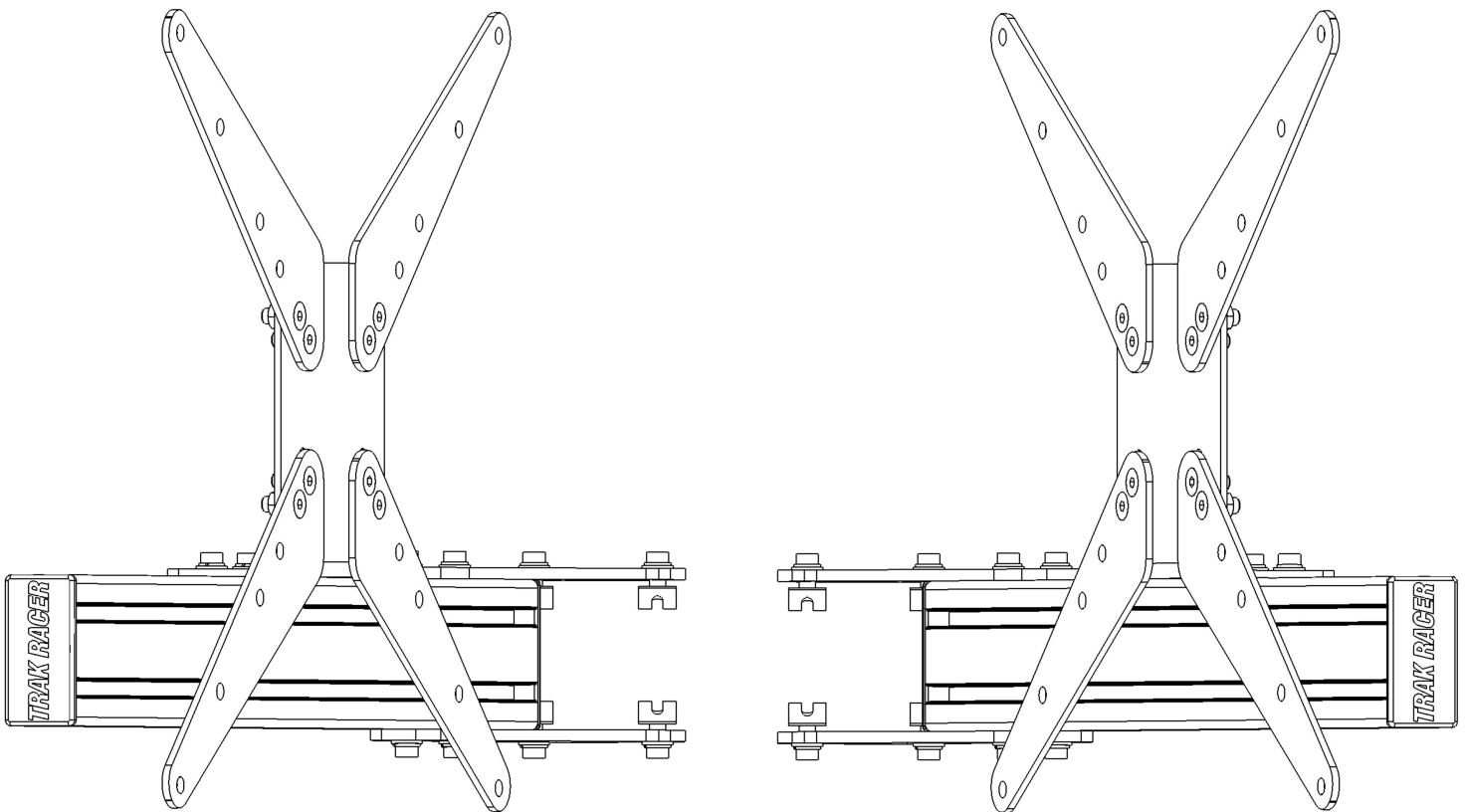
# 8



Note: If your monitor screw size is under 8mm you will need to use washers to mount monitor (not supplied). Make Adjustment and tighten hardware.



# FINISHED



**Share your build online and tag us to be featured!**



@trakracer



@trakracer



@trak\_racer