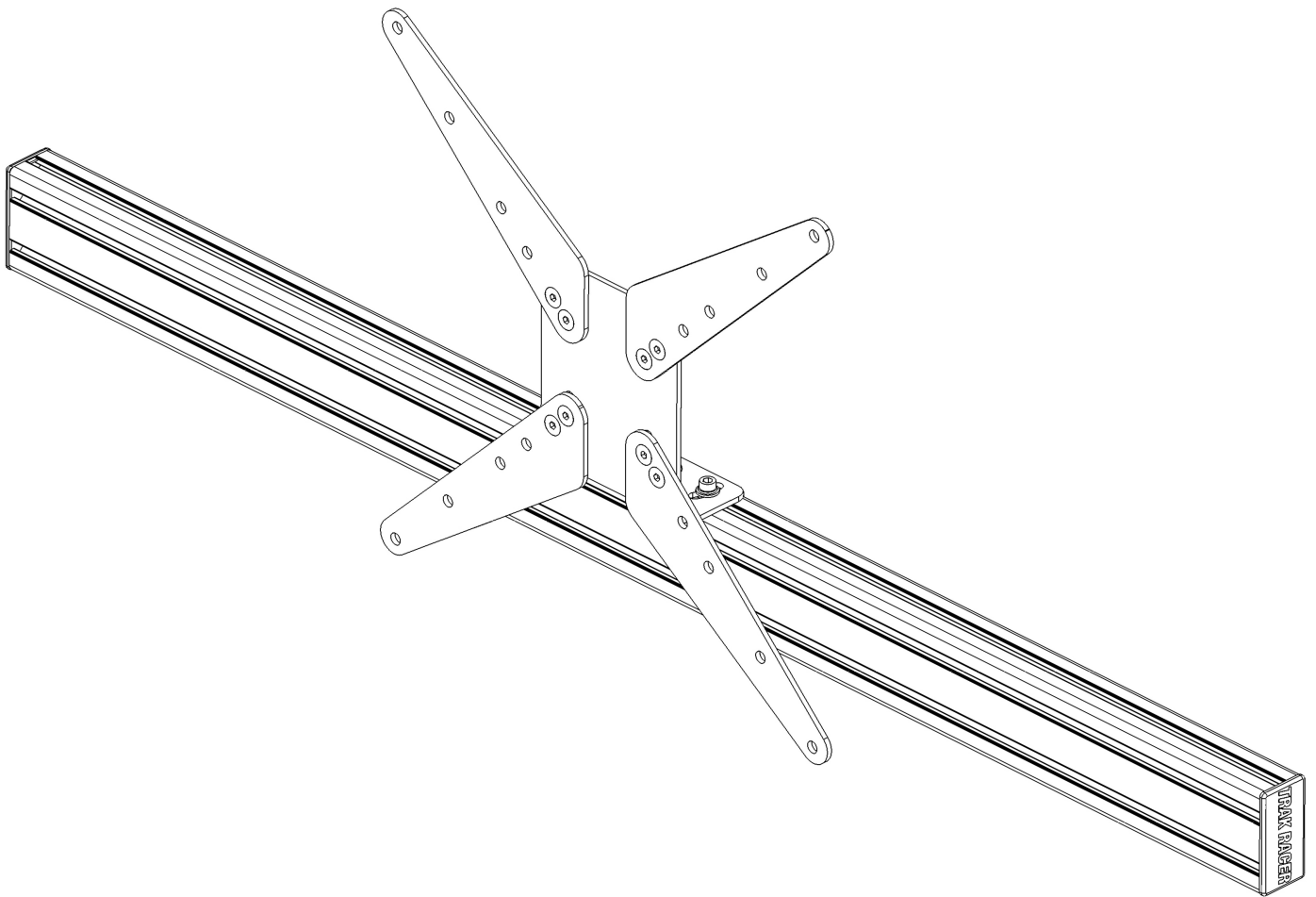


# 1200MM EXTRUDED ALUM WITH VESA MOUNT

*Instruction manual*

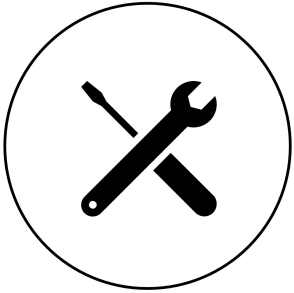


TR80-TMSIN4

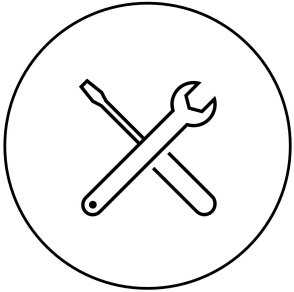




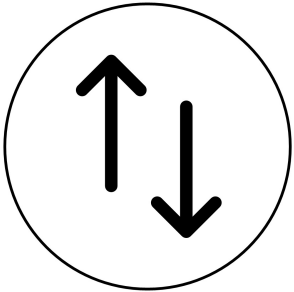
- Two people needed



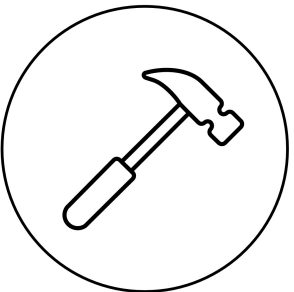
- Tighten hardware



- Leave hardware loose for adjustment



- Make Adjustment

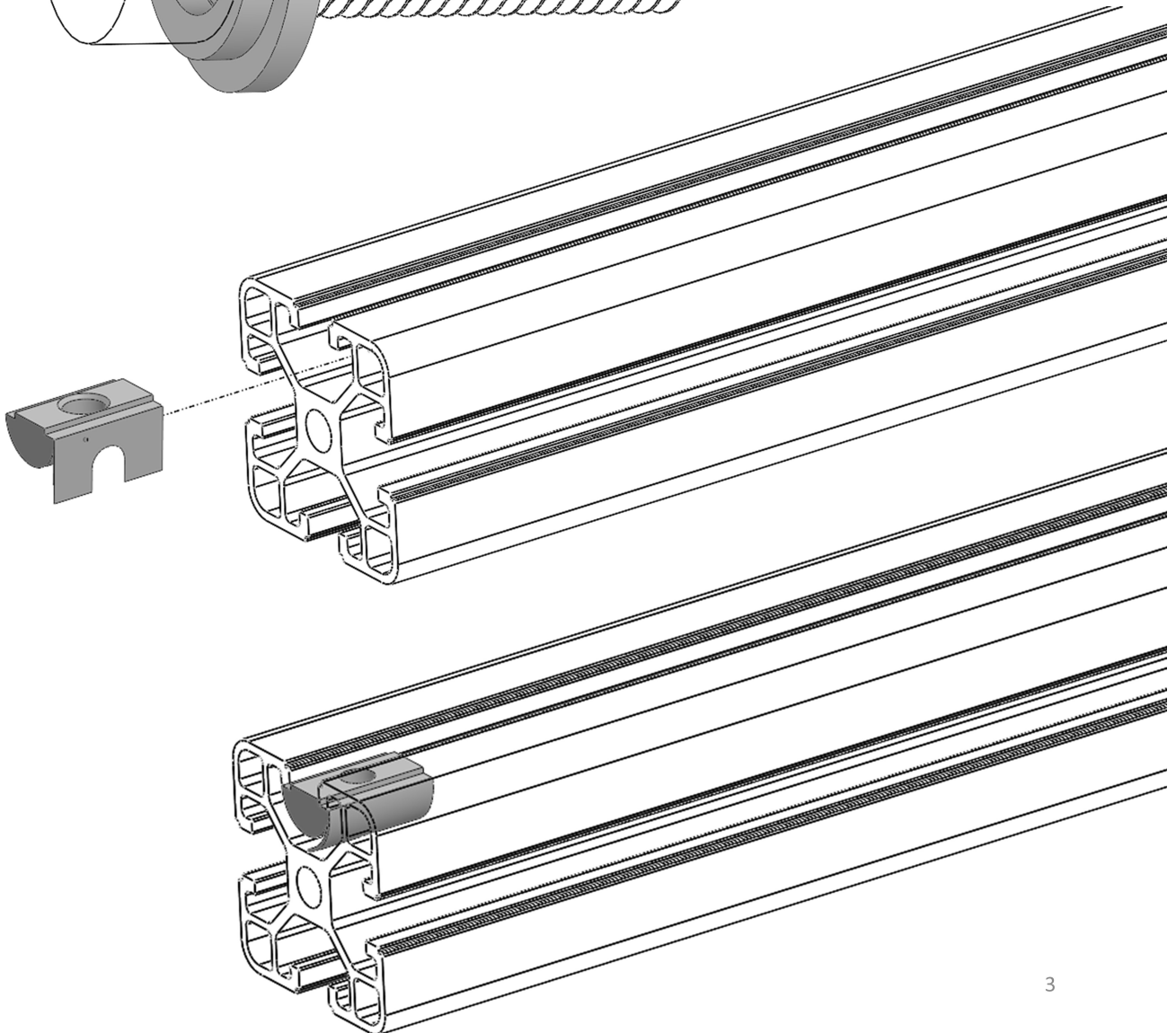
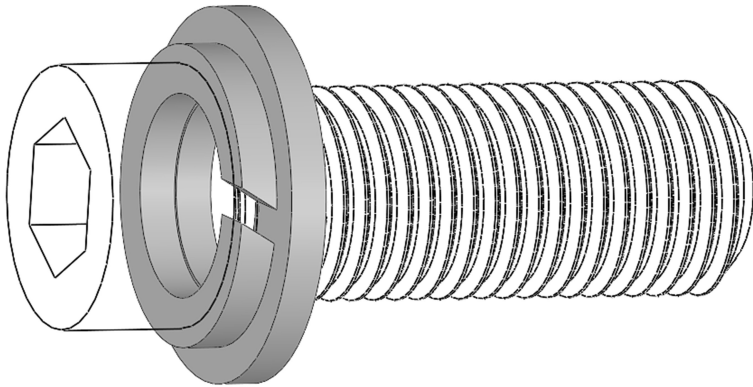
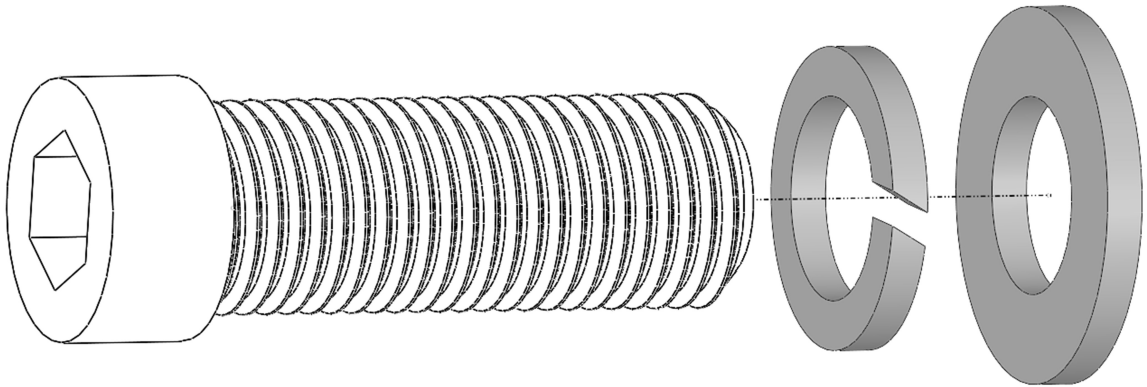


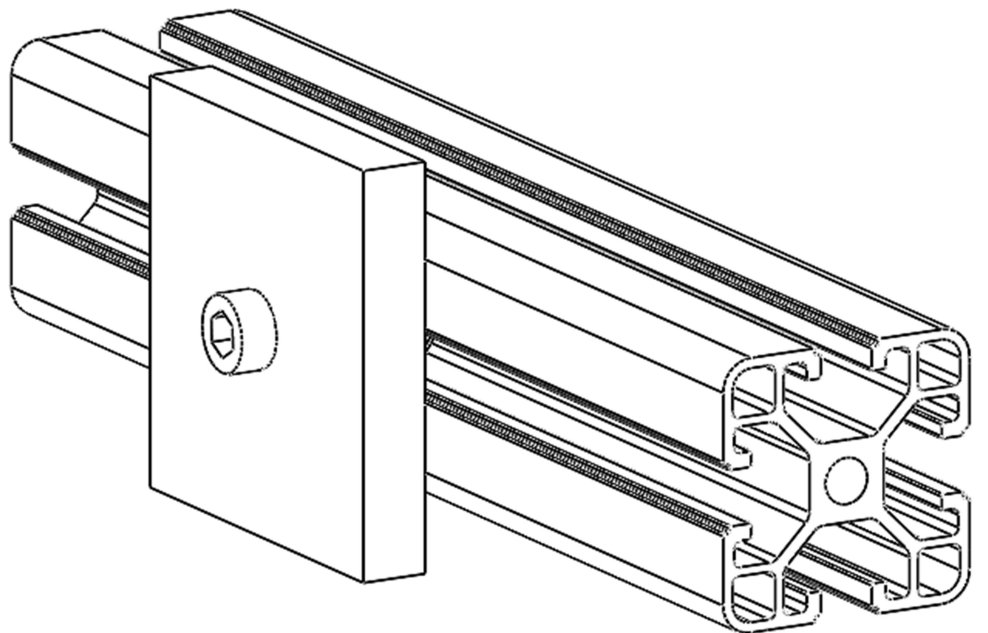
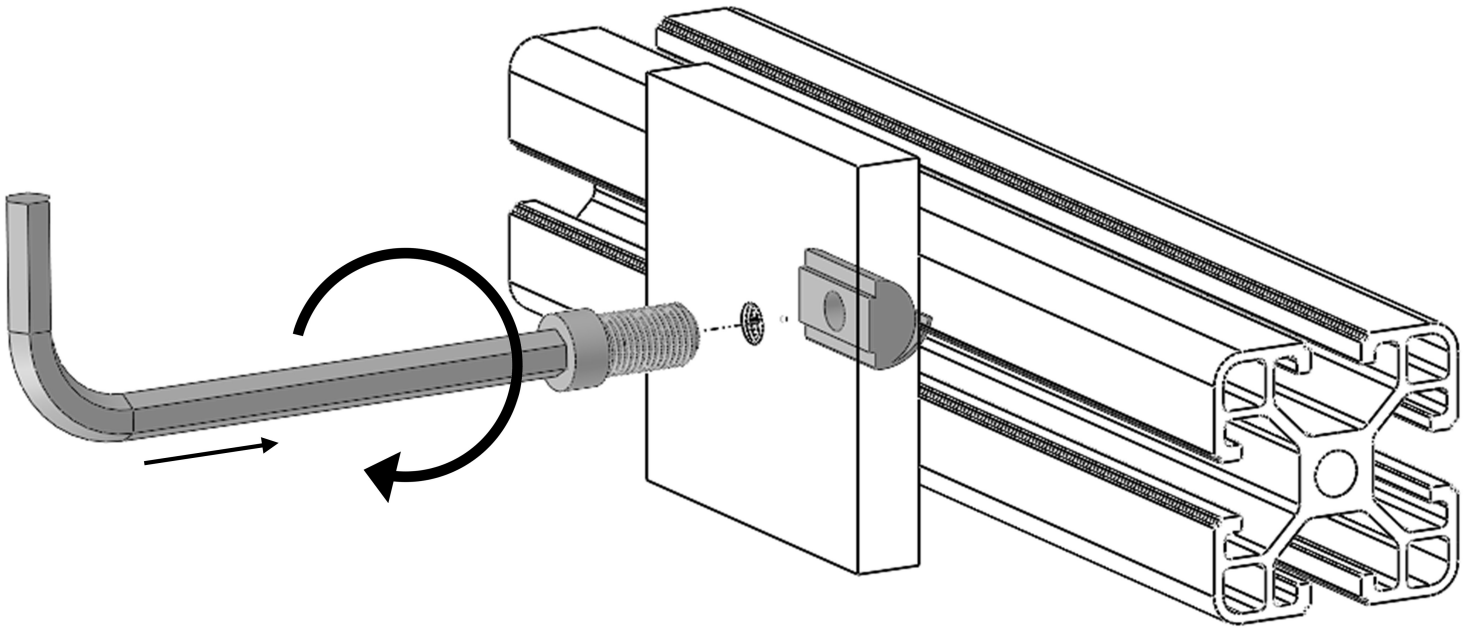
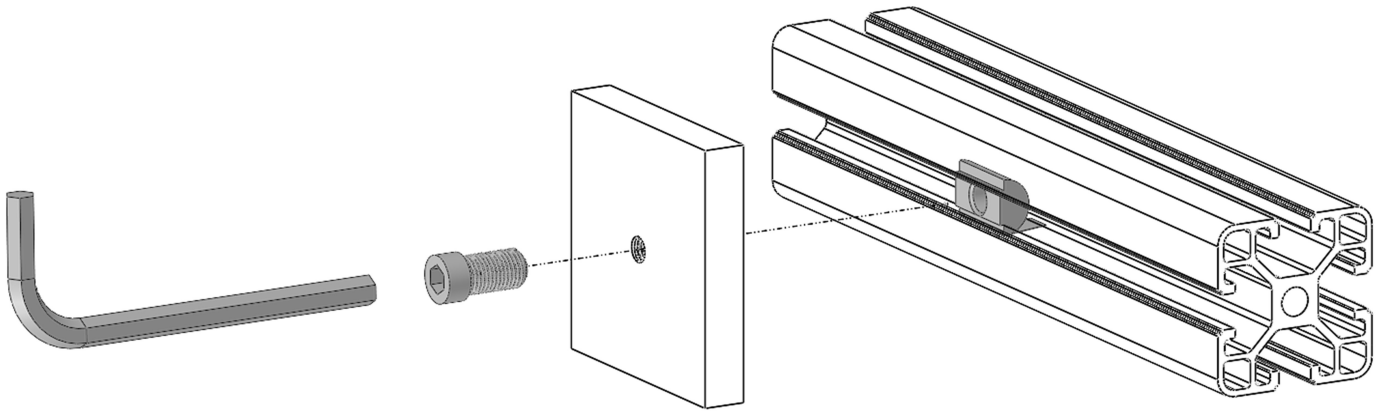
- Break tab off Corner bracket CB1  
(Page 6)



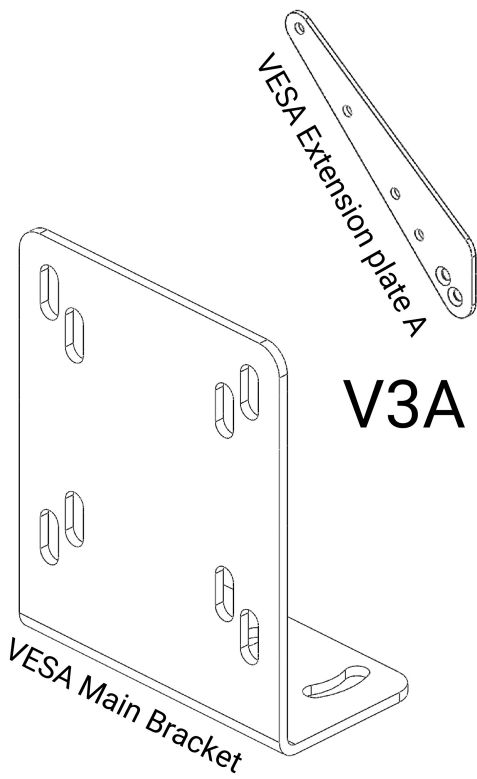
- Safety glasses needed

# NOTE

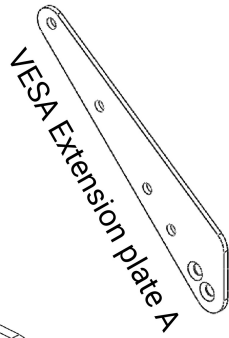




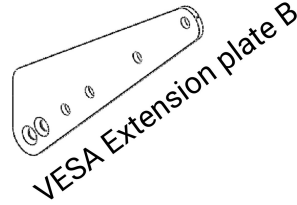
# TR80-TMSIN4



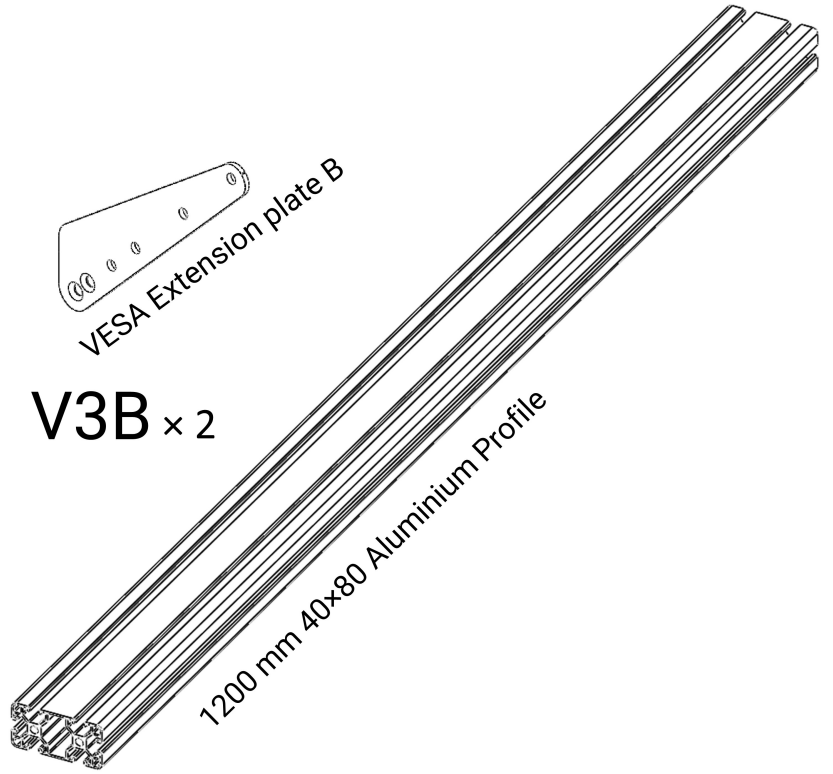
V3 x 1



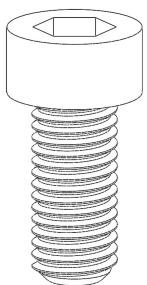
V3A x 2



V3B x 2

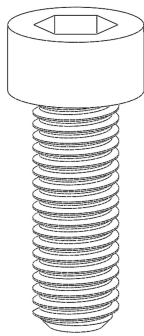


P9 x 1



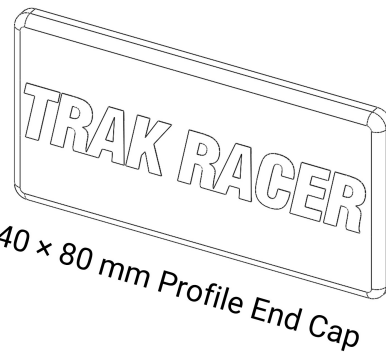
M8x16 Hex Screw

S2 x 16

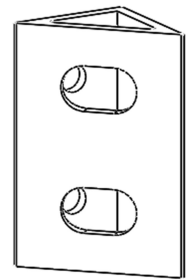


M8x20 Hex Screw

S3 x 3

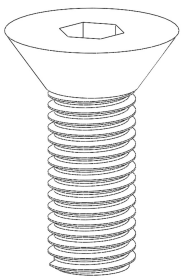


E2 x 2



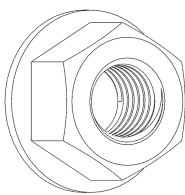
40 x 80 Anodized Corner Bracket

CB4 x 2



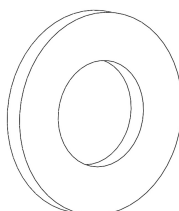
M8x16 Flat Screw

S10 x 8



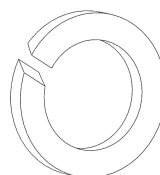
M8 Flange Nut

N1 x 8



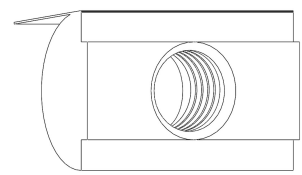
Flat Washer

W1 x 3



Lock Washer

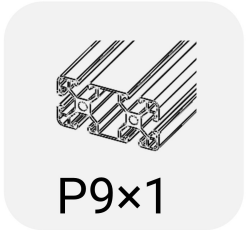
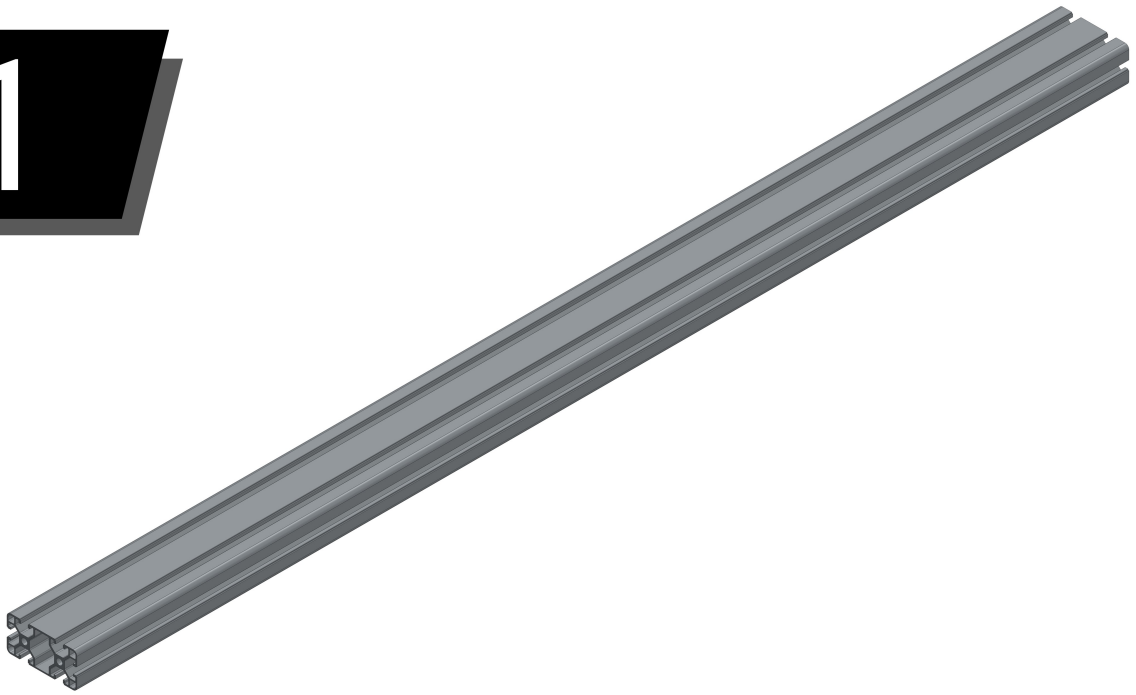
W2 x 3



M8 T-Nut

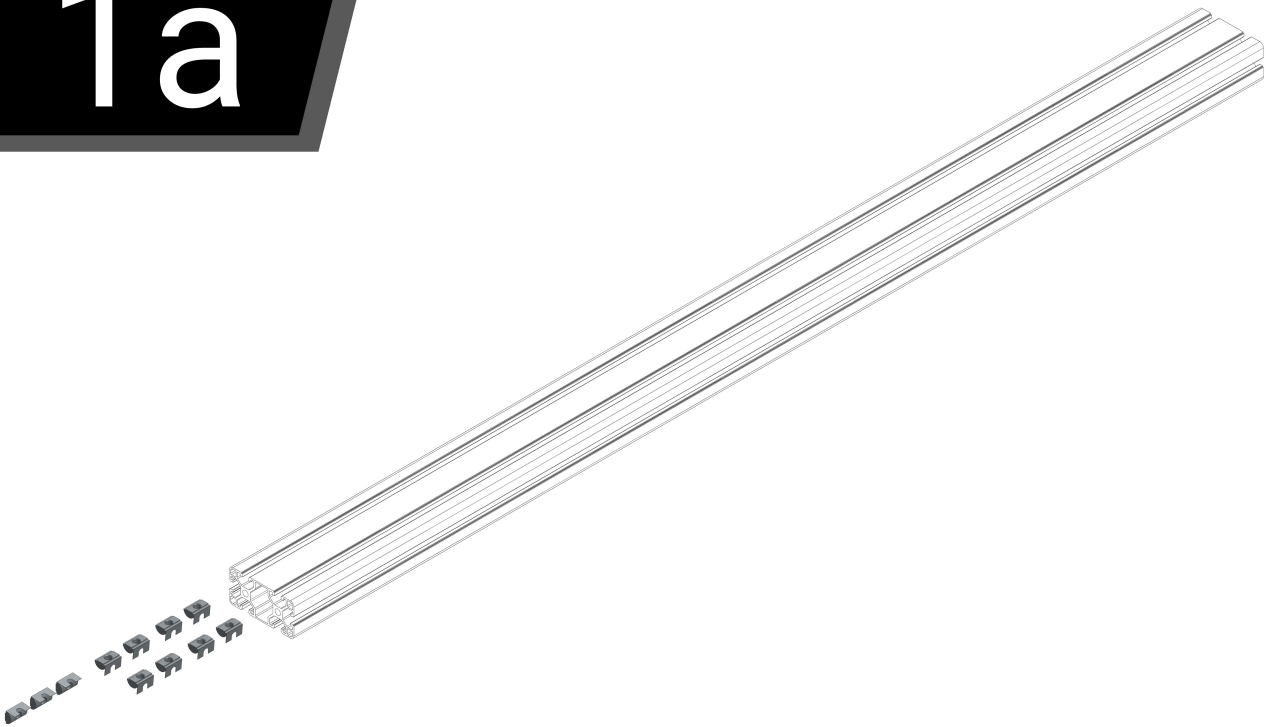
N2 x 19

1



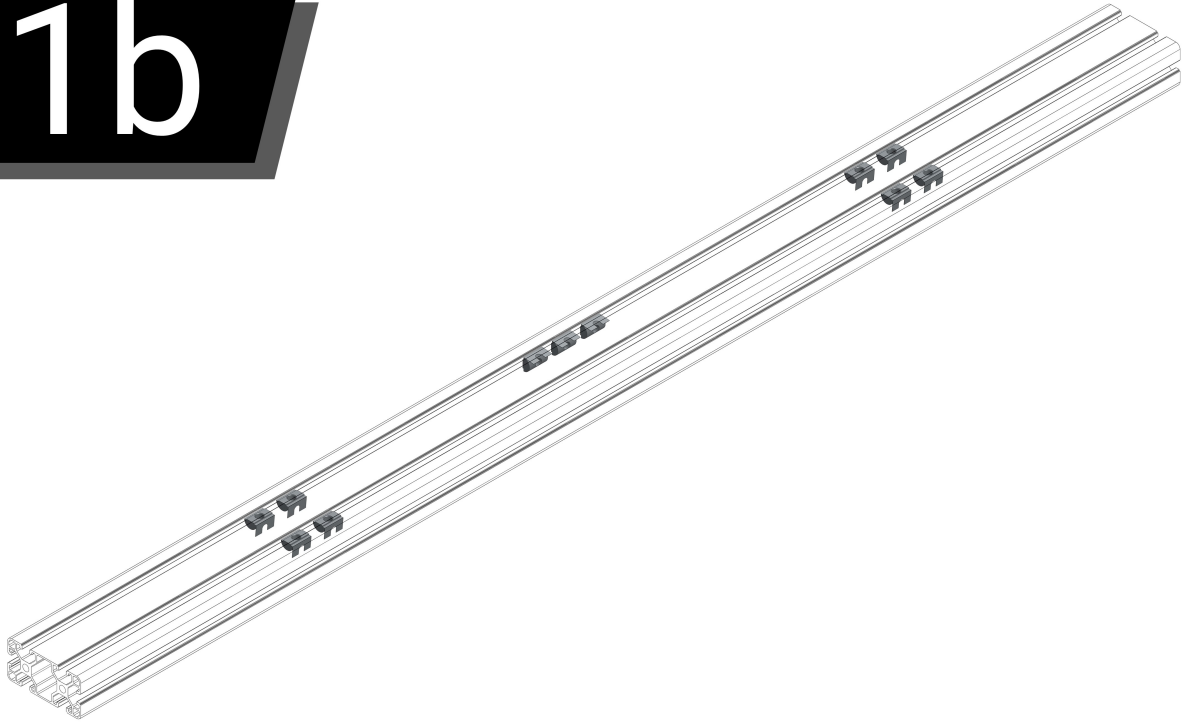
P9x1

1a

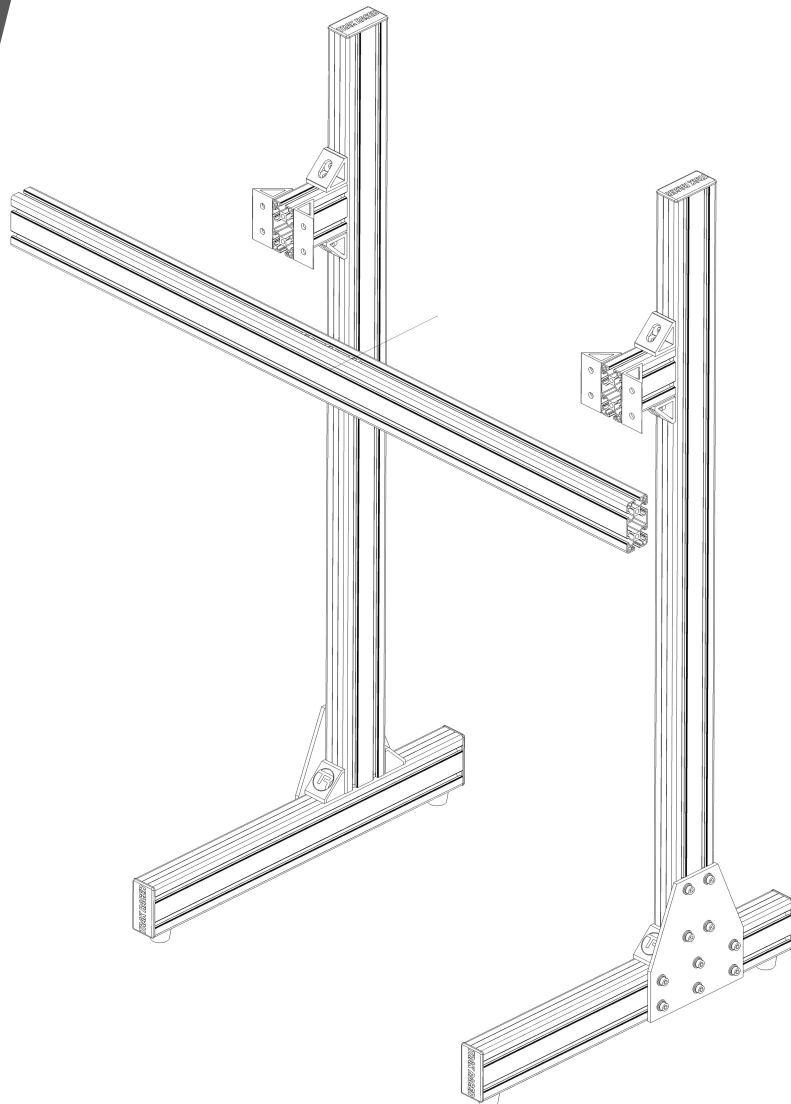


N2x11

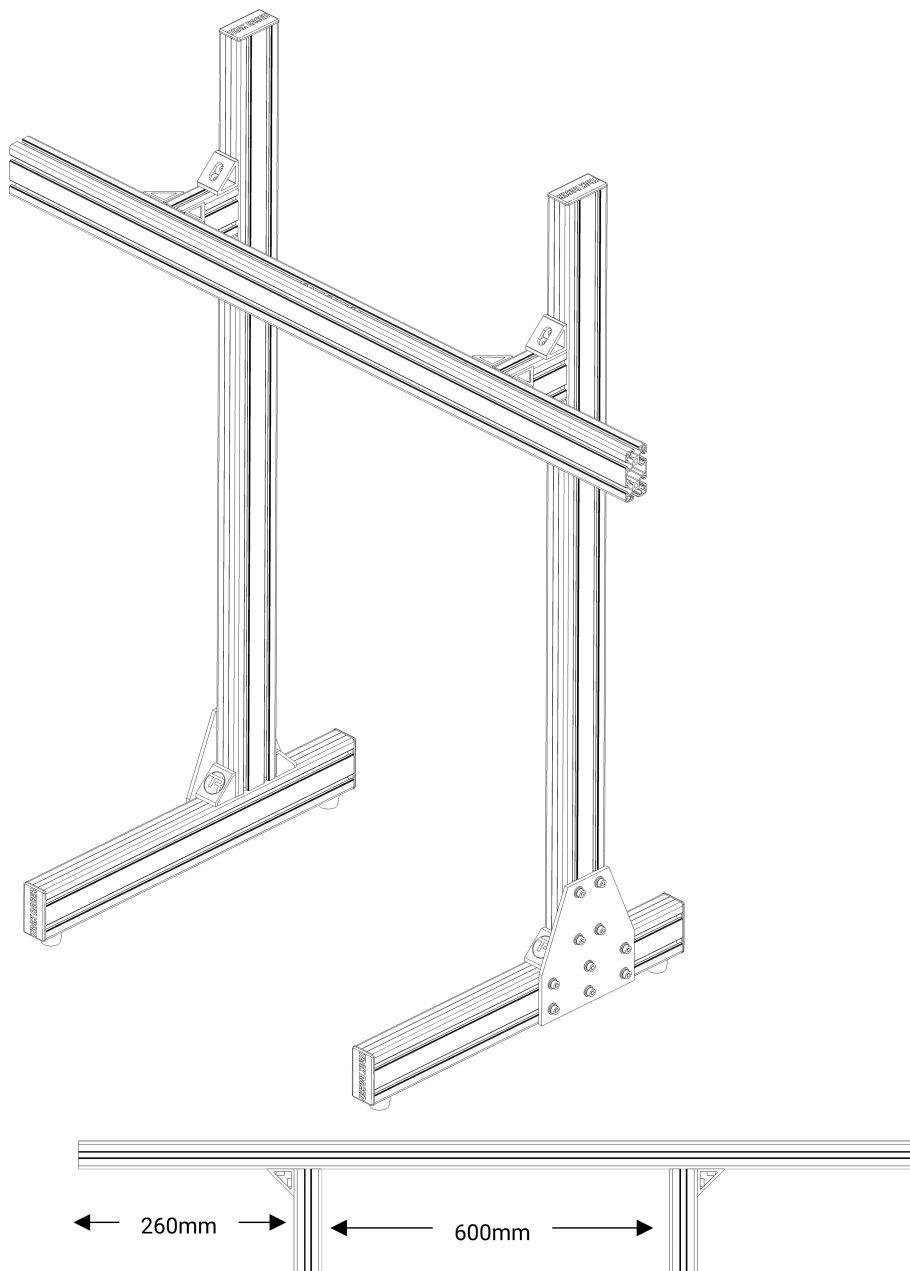
1b



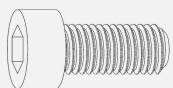
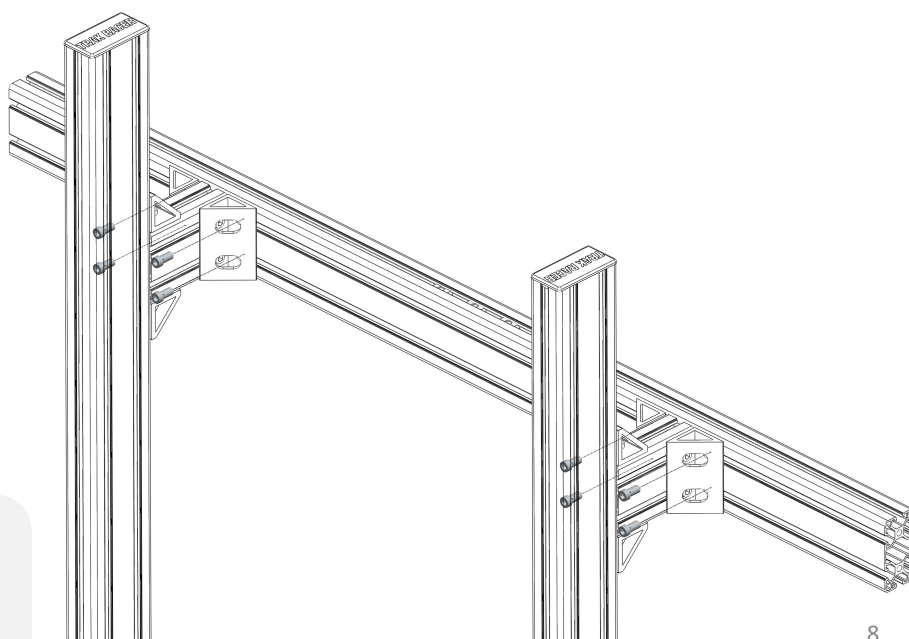
2



# 2a



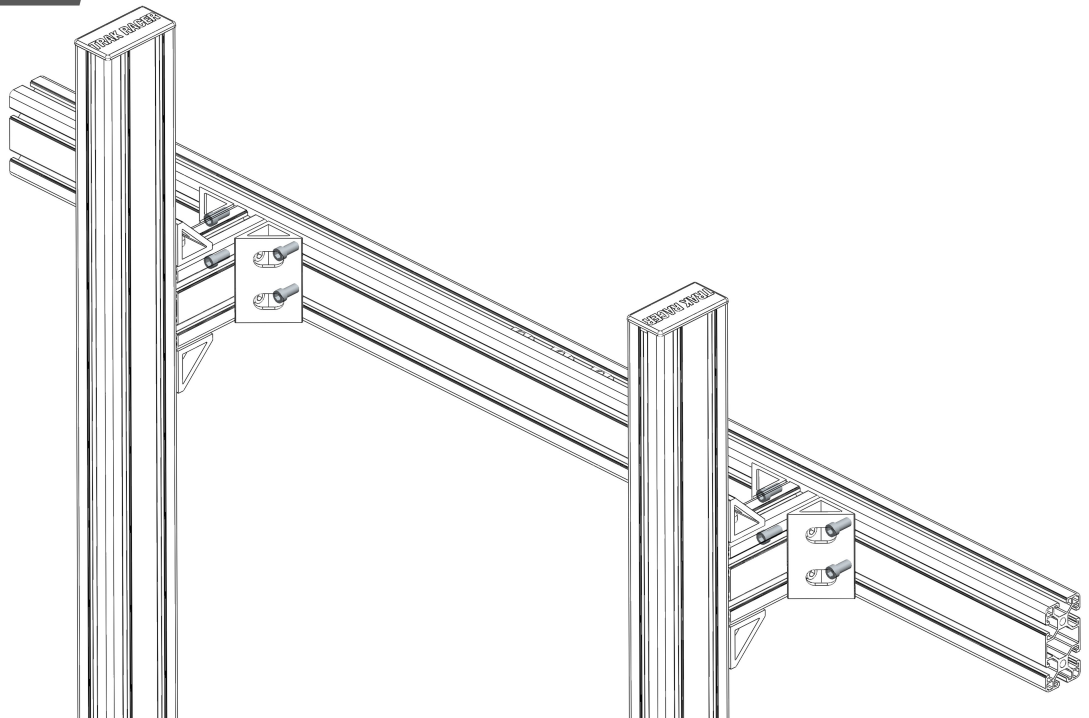
# 2b



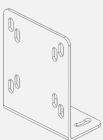
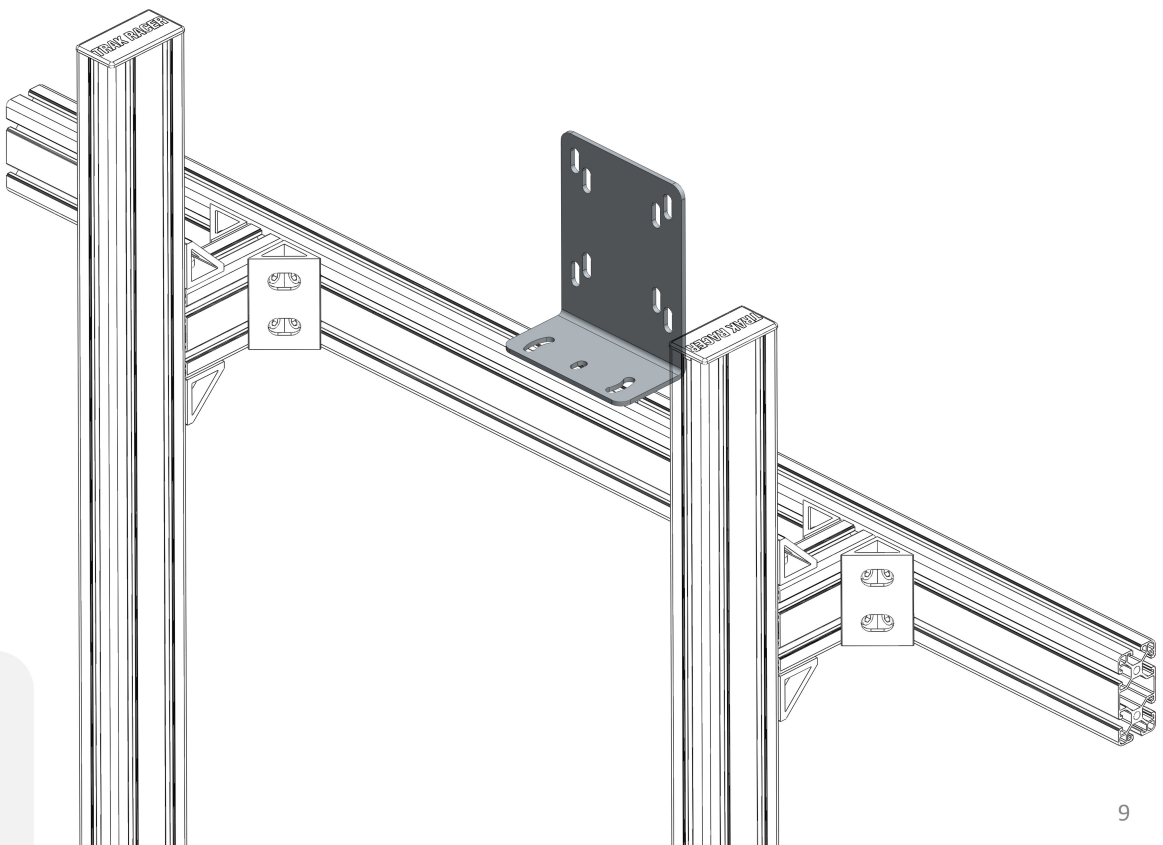
S2x8



2c

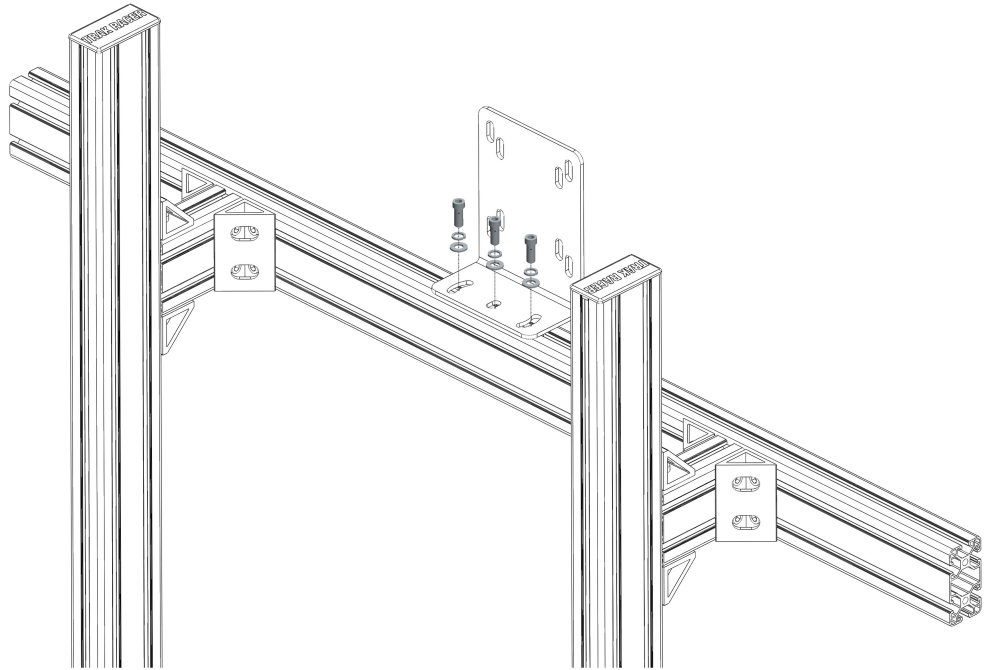


3



V3x1

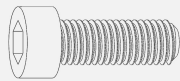
# 3a



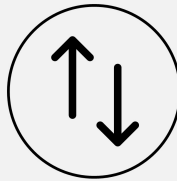
W1x3



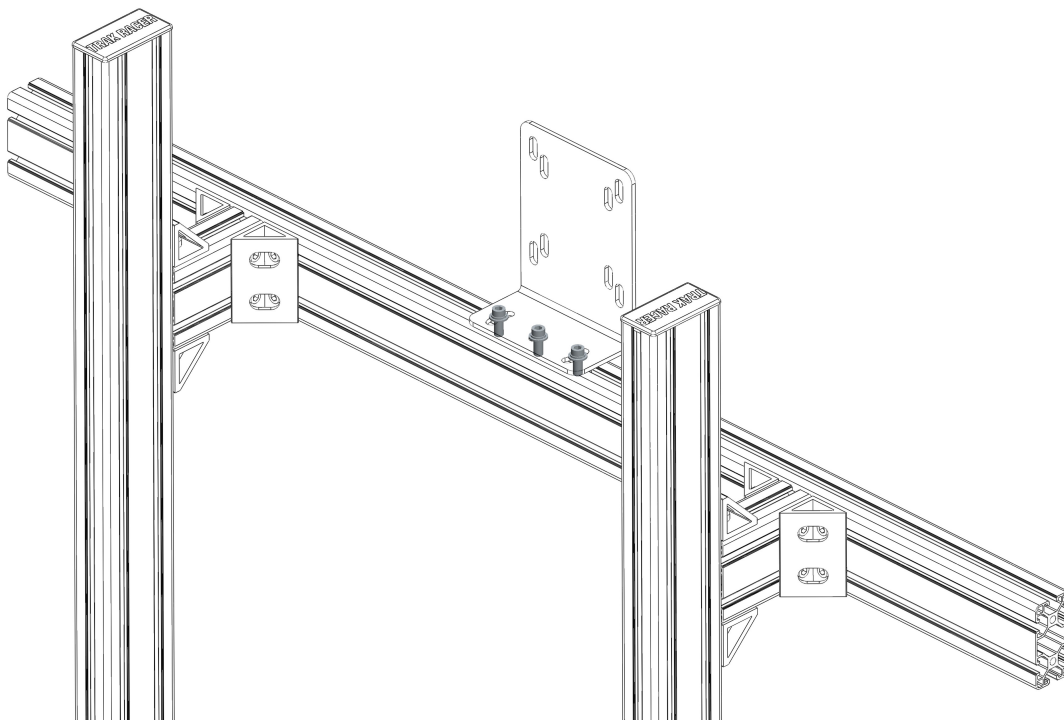
W2x3



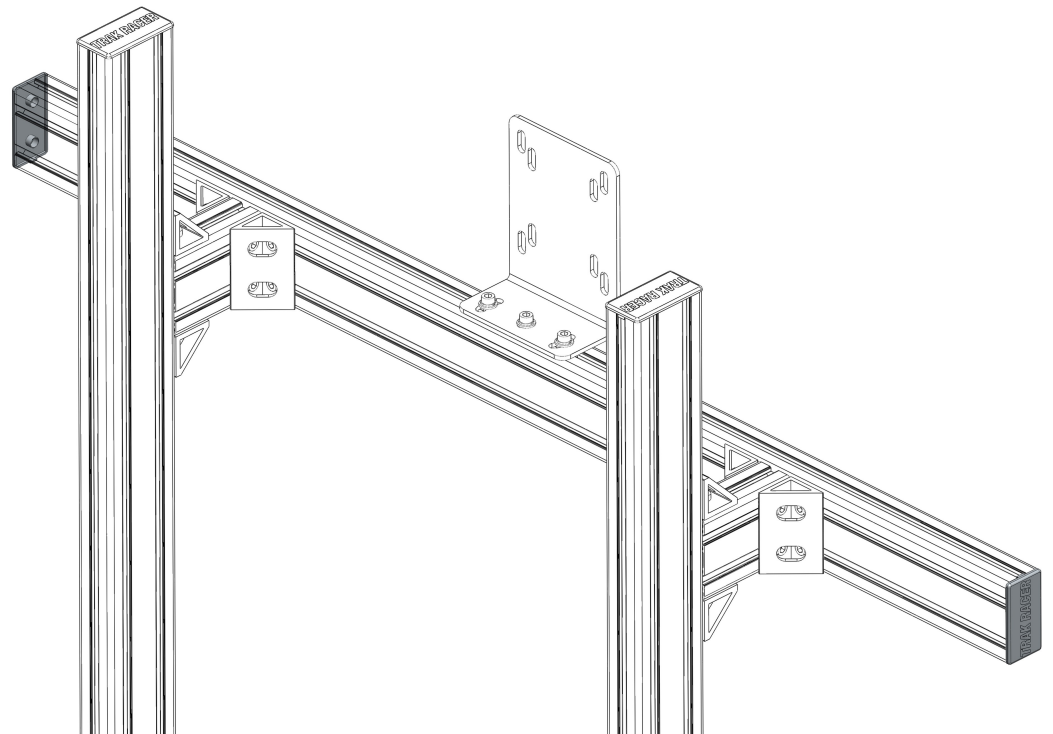
S3x3



# 3b



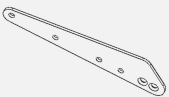
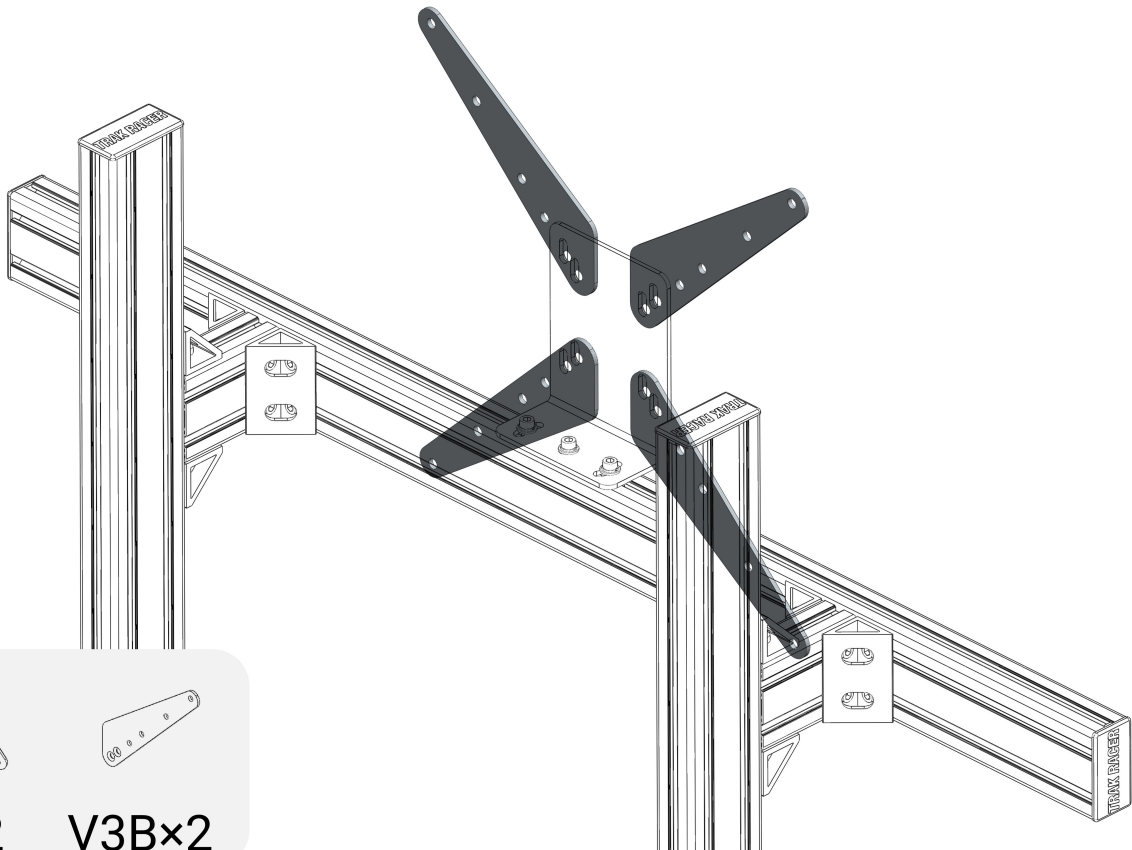
# 4



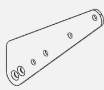
E3x2

## 4a Optional

Note: To add a larger monitor follow the below assembly



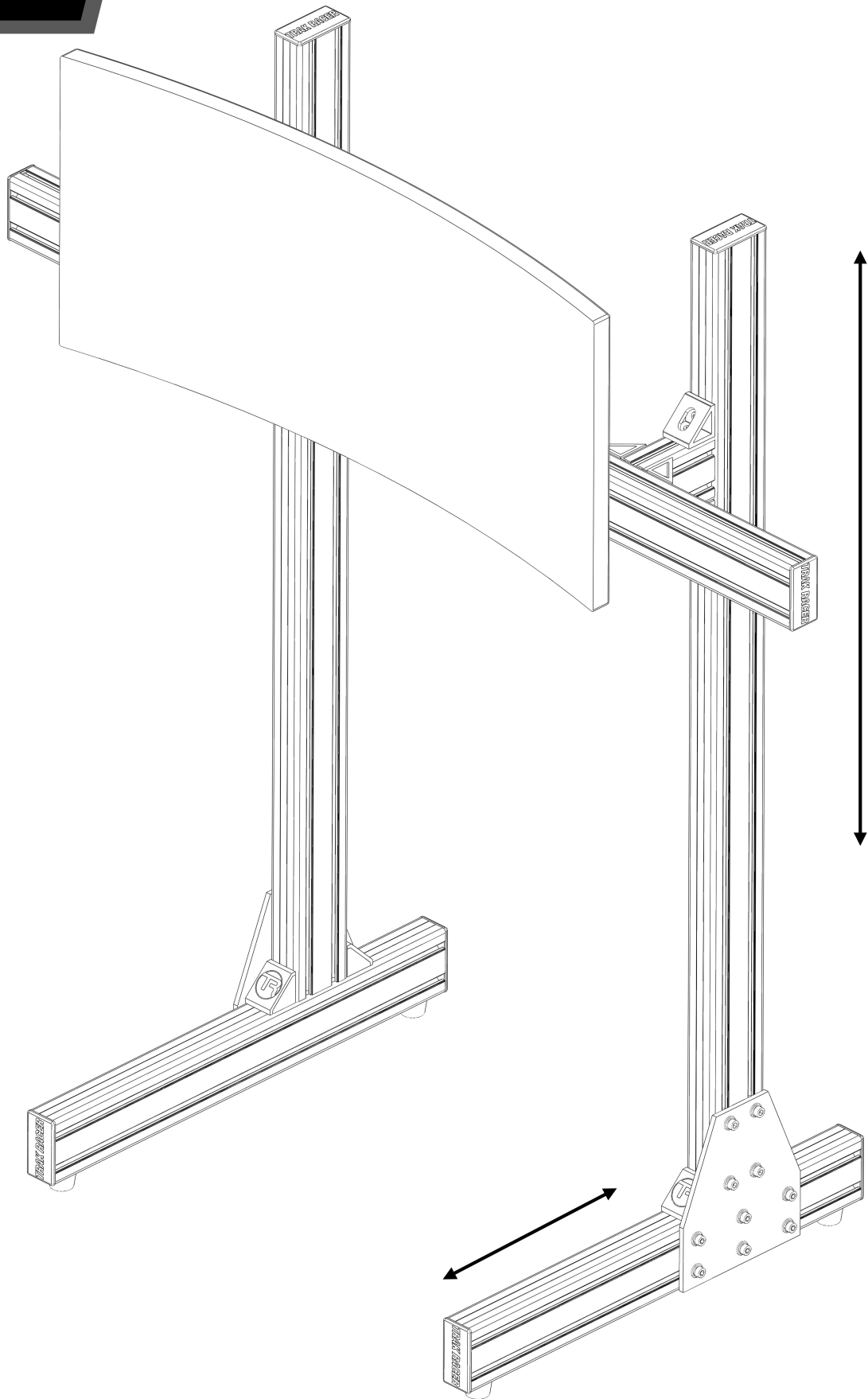
V3Ax2



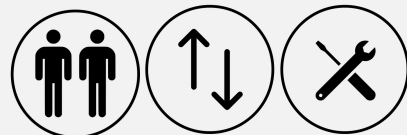
V3Bx2



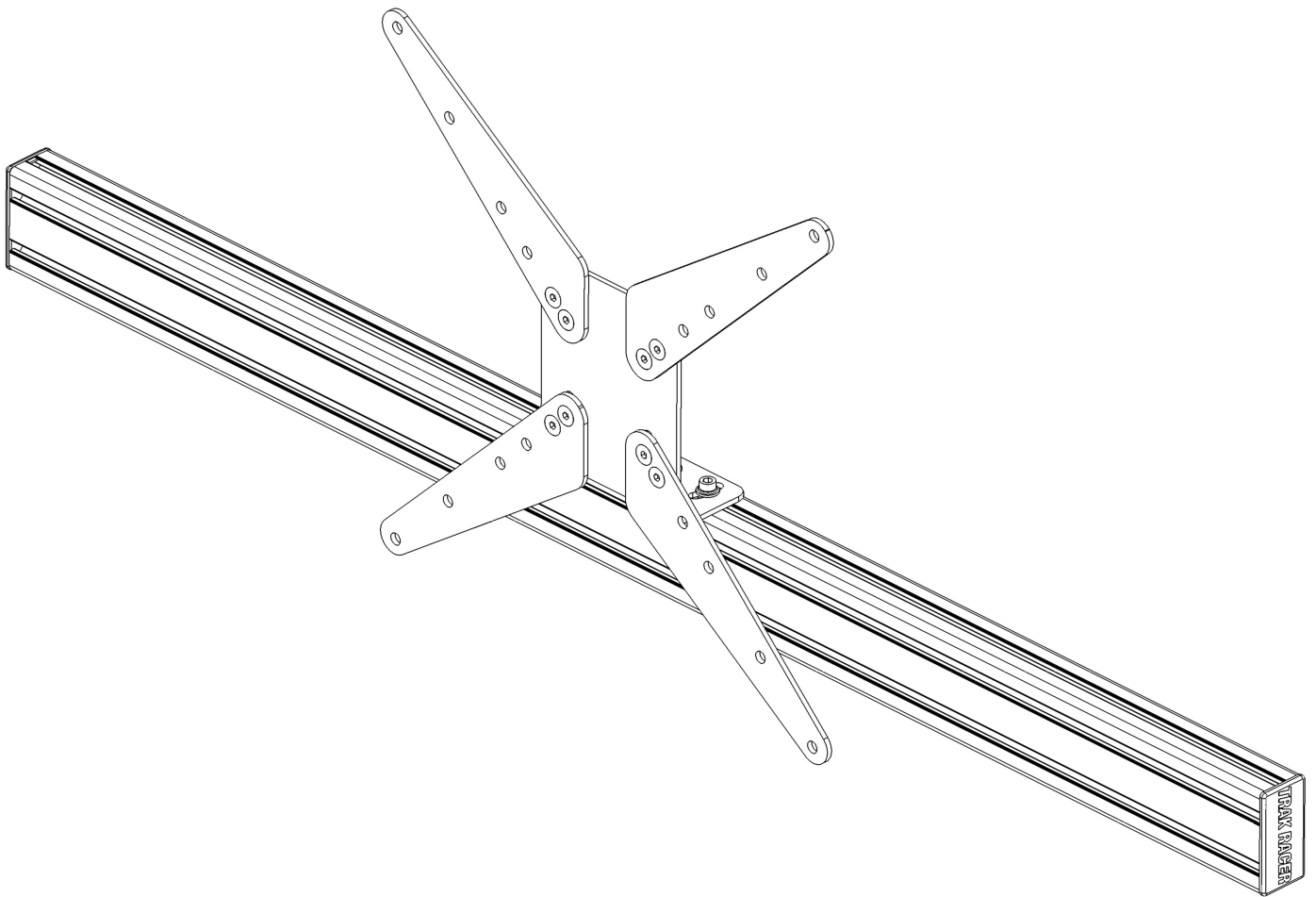
# 5



Note: If your monitor screw size is under 8mm you will need to use washers to mount monitor (not supplied). Make Adjustment and tighten hardware.



# FINISHED



**Share your build online and tag us to be featured!**



@trakracer



@trakracer



@trak\_racer