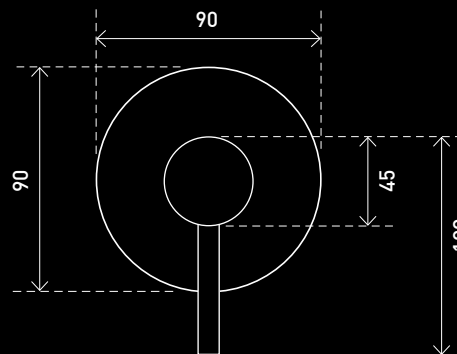


Spring pin lever shower mixer

The spring range of mixers feature a contemporary style that is versatile to suit any bathroom and kitchen decor.

Stunning chrome finish with sleek pin lever design to easily control the flow of hot and cold water.



Measurement shown are in millimetres

Specifications

Recommended Use: **Domestic / Commercial**

- Chrome plate finish
- Suitable for shower or bath application
- Universal to any shower and outlet choice
- Flexible hoses, water mark i/2007
- Australian standard certified
- 5 Year warranty

Code: **ASP1330**

Models and specifications are current at the time of publication, subject to change without notice. Images are for pictorial purposes and should be used as a guide only.

Warranty

This product can be purchased from Burdens Bathrooms. This product is covered by a 5 year warranty. This warranty covers faults in the product construction and materials. Faulty products will be repaired or exchanged free of charge. Faulty items become property of Burdens Bathrooms.

This warranty does not include faults caused by:

- Improper or unsuitable use
- Incorrect installation
- Installation or part installation by the purchaser or any person other than a licensed plumber or tradesman
- Normal wear and tear
- Inadequate or complete lack of maintenance
- Chemical, electrochemical or electrical influences.

Cleaning Recommendations

Surfaces should not be cleaned with abrasive materials eg steel wool/scourers. Do not use any corrosive or abrasive cleaning agents containing acids or scouring agents.

In the event of a warranty claim, Burdens Bathrooms will replace or repair defective products, or pay for the cost of having defective products repaired or replaced, but will not be liable for any injury to any person, damage to any property, any indirect or consequential loss, or in any other respect.

ASPIRE®

