

URBAN II

Freestanding Bath Suite 1700

Product Code: ASP4300

- Recommended use: Domestic / Commercial
- Size: L1700 x W800 x D450 / 580mm
- Material: Sanitary grade acrylic (gloss white)
- Waste position: Centre
- Overflow: No
- Domestic warranty: 7 Years
- Commercial warranty: 5 Years
- Empty weight: 50kg
- Plug and waste: Suits 40mm non-overflow waste
- Carton size: 1735 x 835 x 655mm



The Urban II 1700 curved freestanding bath is designed for years of indulgent bath escapes.

This bath will form a dramatic bathroom centrepiece, with its sweeping curves and luxurious shape. With a seamless join and high gloss finish, quality meets style.



Warranty

This product can be purchased from Burdens Bathrooms. This product is covered for 7 years for domestic / 5 years for commercial warranty on vitreous china. The warranty ONLY against manufacturing defects and ONLY to resupply or repair – no installation and de-install and freight only to your supplying branch. Faulty products will be repaired or exchanged free of charge. Faulty items become property of Burdens Bathrooms.

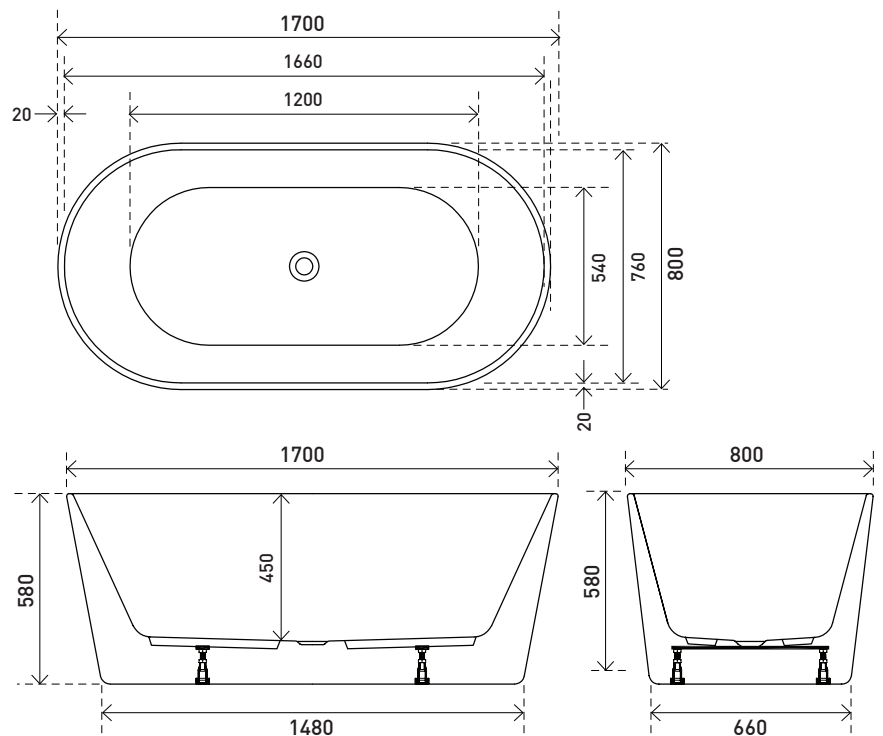
This warranty does not include faults caused by:

- Improper or unsuitable use
- Incorrect installation
- Installation or part installation by the purchaser or any person other than a licensed plumber or tradesman
- Normal wear and tear
- Inadequate or complete lack of maintenance
- Chemical, electrochemical or electrical influences.

Cleaning Recommendations

Surfaces should not be cleaned with abrasive materials eg steel wool/scourers. Do not use any corrosive or abrasive cleaning agents containing acids or scouring agents.

In the event of a warranty claim, Burdens Bathrooms will replace or repair defective products, or pay for the cost of having defective products repaired or replaced, but will not be liable for any injury to any person, damage to any property, any indirect or consequential loss, or in any other respect.



All measurements are in millimeters and subject to change without notice. For ceramic products, please allow +/- 5mm tolerance for manufacturing variance.

Models and specifications are current at the time of publication, subject to change without notice. Images are for pictorial purposes and should be used as a guide only.