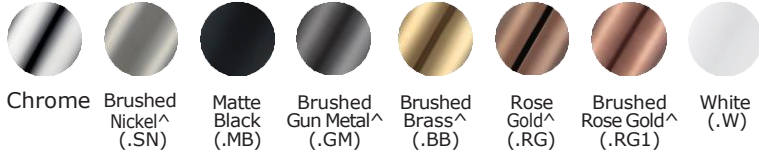


Axus Pin Shower Mixer with Diverter

AX16350 - EXTERNAL PART ONLY

Finishes available:



Chrome Brushed Nickel[^] (.SN) Matte Black (.MB) Brushed Gun Metal[^] (.GM) Brushed Brass[^] (.BB) Rose Gold[^] (.RG) Brushed Rose Gold[^] (.RG1) White (.W)

[^] PVD finish



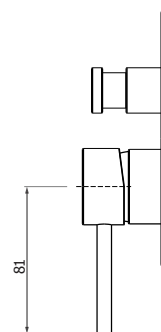
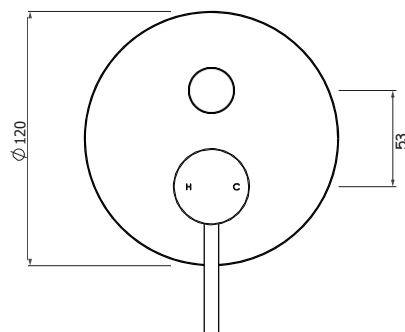
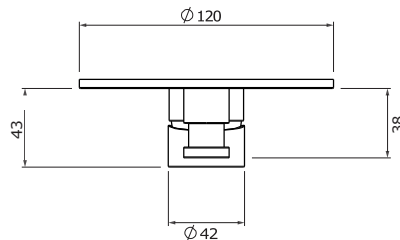
INFORMATION

Pressure Rating
150 - 500kPa

Hot and cold water inlet pressures
should be equal.

CARE AND MAINTENANCE

- All surfaces should be frequent cleaned with a mixture of mild, pH neutral soap and warm water with a soft cloth
- Do not use abrasive clothes, scouring pads on surfaces
- Do not use harsh cleaning agents i.e. cream cleaners or citrus based cleaners (*see cleaning leaflet for comprehensive list*)



Requires ARB0135 - Arcisan Universal in-wall body for installation.

WARRANTY
15 years

*Conditions apply.

stream|line

www.streamlineproducts.com.au | Ph: 1300 735 352

Dimensions are in millimeters and are subject to manufacturing variations. Streamline Products reserves the right to vary specifications at any time without notice. Information provided within this specification sheet is correct at the date of printing. Please confirm all particulars with your sales consultant prior to purchase. Version: 1.0 - May 2021