

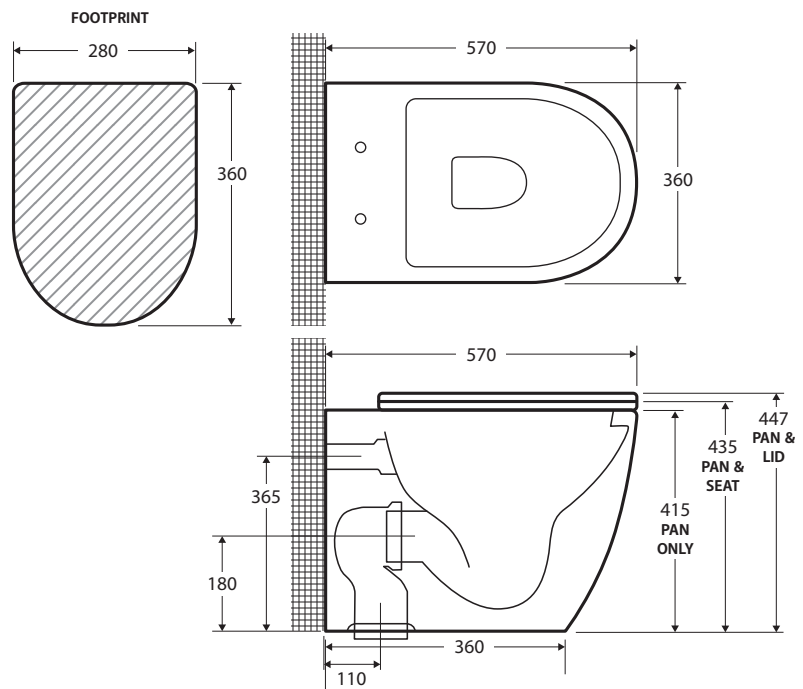


URBAN II

Wall-Faced Toilet Pan & Seat

Product Code: ASP0530

- Rimless, hygienic flushing
- Concealed pan for easy cleaning
- UF quick release soft close slim style seat
- High quality flushing mechanism
- Stainless steel seat hinges
- Floor mounting screws included
- Can be installed as P-Trap or S-Trap (120 - 180 mm)
- **WELS 4 Star rated, 4.5L/3L (3.5L average flush)**



COMMERCIAL WARRANTIES	DOMESTIC WARRANTIES
3 YEAR CERAMICS: 3 Years	5 YEAR CERAMICS: 5 Years
1 YEAR CISTERN / VALVES: 1 Year	3 YEAR CISTERN / VALVES: 3 Years
1 YEAR SEAT & SEAT LID: 1 Year	1 YEAR SEAT & SEAT LID: 1 Year