

PRODUCT INFORMATION & SPECIFICATION

NEW MULTI SQUARE CORNER BACK TO WALL BATH-GLOSS WHITE



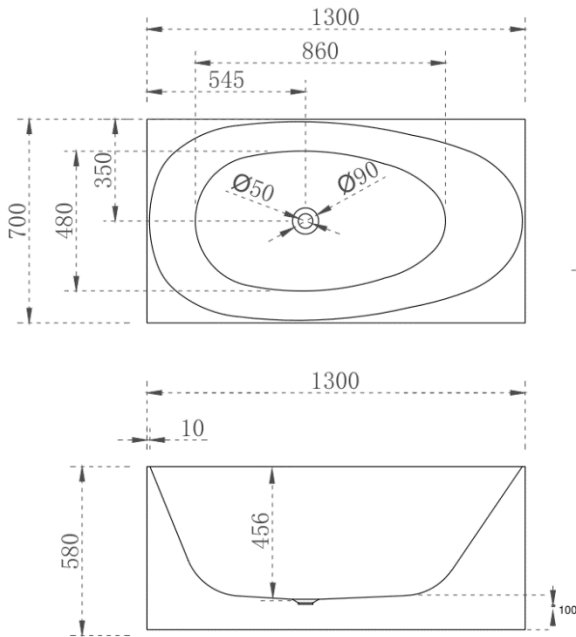
BATH SIZE	PRODUCT CODE
1300mm	BT-MS1300
1400mm	BT-MS1400
1500mm	BT-MS1500
1700mm	BT-MS1700

Prices include GST. All measurements are in millimeters and subject to change without notice. For products, please allow +/- 10mm tolerance for manufacturing variance.

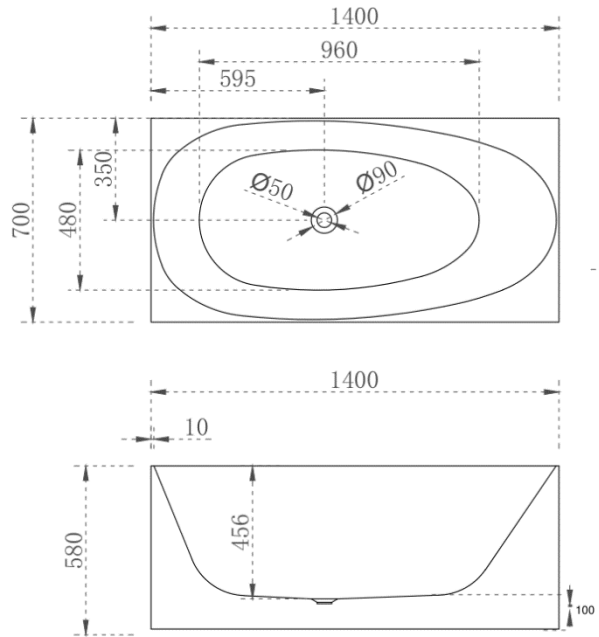
DESCRIPTION

- Modern & Minimalist design
- Square Edge, Oval Shape Interior, Corner Back To Wall
- Gloss white, UV stabilized, sanitary grade acrylic
- Inbuilt steel support frame
- Adjustable steel legs, No overflow
- No-porous, blemish resistant and easy maintenance
- Chrome waste included with bath

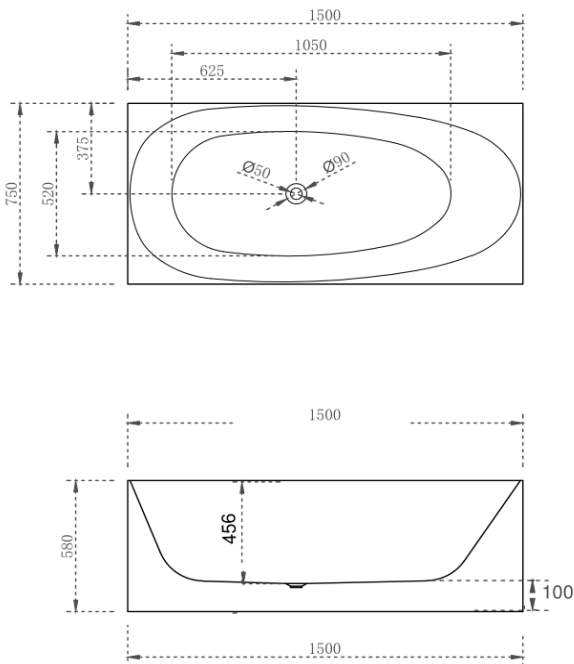
MULTI SQUARE 1300MM-GLOSS WHITE



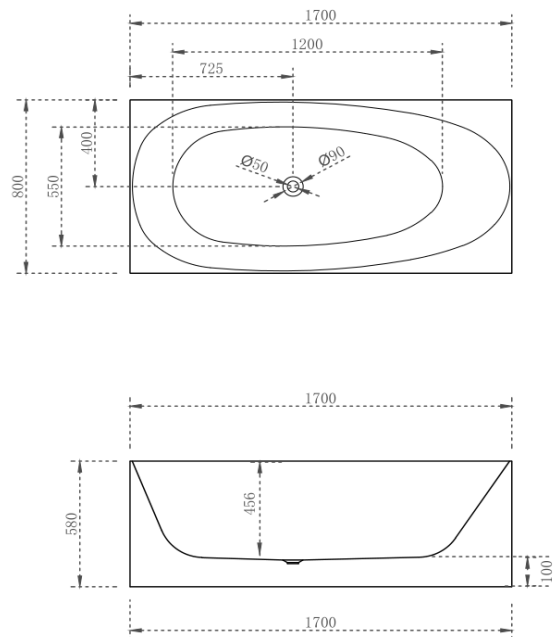
MULTI SQUARE 1400MM-GLOSS WHITE



MULTI SQUARE 1500MM-GLOSS WHITE



MULTI SQUARE 1700MM-GLOSS WHITE



Prices include GST. All measurements are in millimeters and subject to change without notice. For products, please allow +/- 10mm tolerance for manufacturing variance.

PRODUCT INFORMATION & SPECIFICATION

NEW MULTI SQUARE CORNER BACK TO WALL BATH-MATTE WHITE



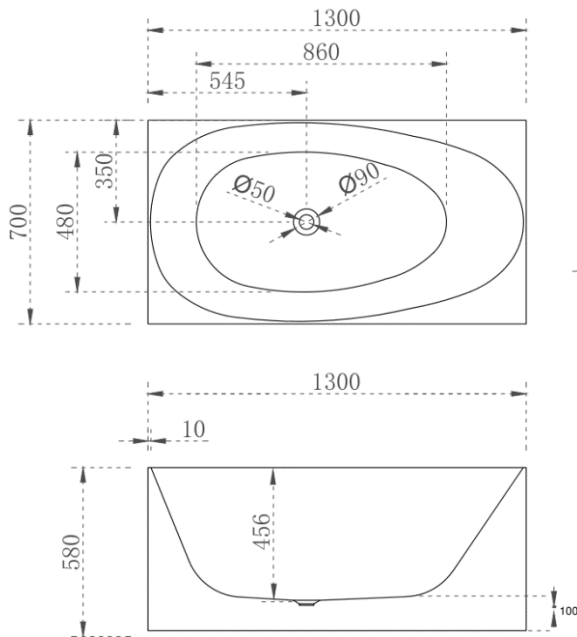
BATH SIZE	PRODUCT CODE
1300mm	BT-MS1300M
1400mm	BT-MS1400M
1500mm	BT-MS1500M
1700mm	BT-MS1700M

Prices include GST. All measurements are in millimeters and subject to change without notice. For products, please allow +/- 10mm tolerance for manufacturing variance.

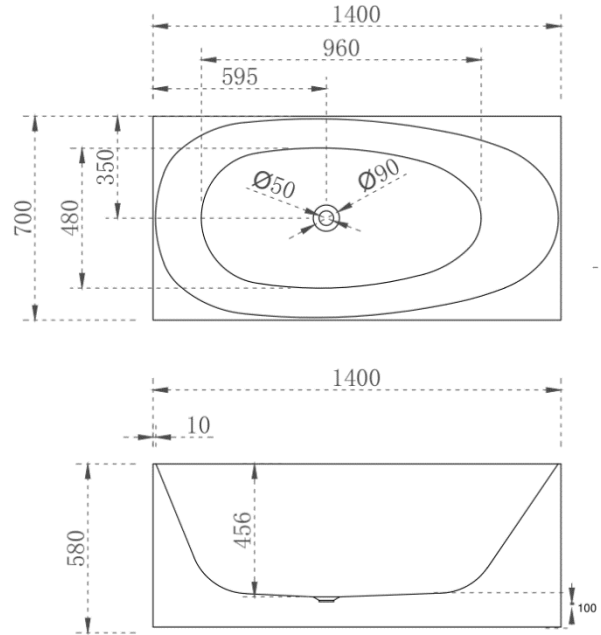
DESCRIPTION

- Modern & Minimalist design
- Square Edge, Oval Shape Interior, Corner Back To Wall
- Matte white, UV stabilized, sanitary grade acrylic
- Inbuilt steel support frame
- Adjustable steel legs, No overflow
- No-porous, blemish resistant and easy maintenance
- Chrome waste included with bath

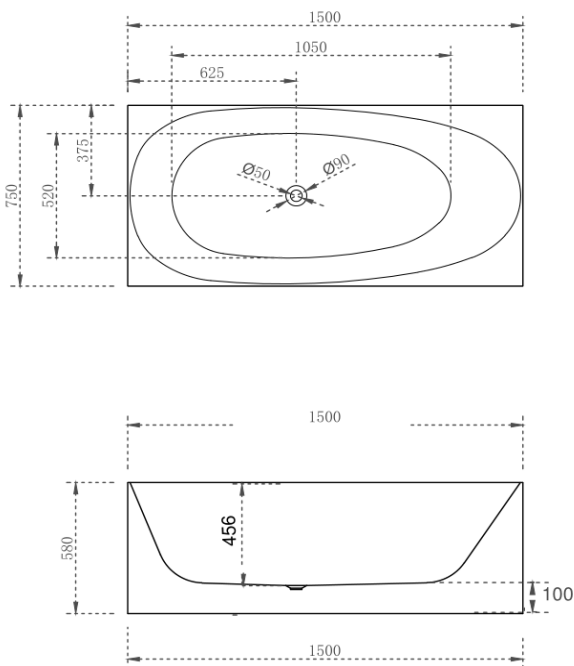
MULTI SQUARE 1300MM-MATTE WHITE



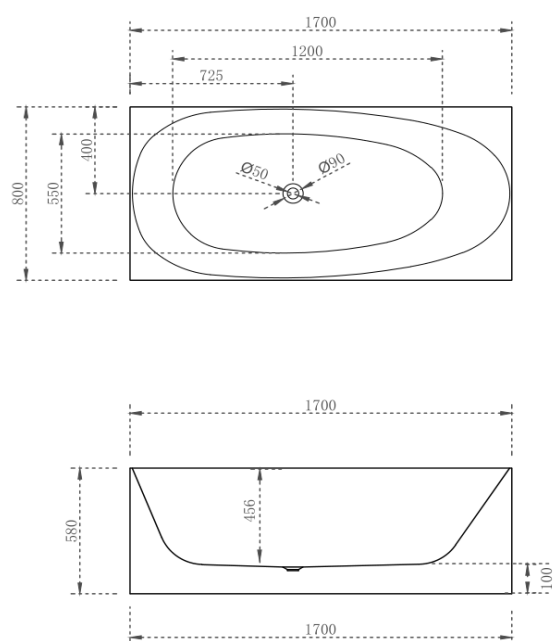
MULTI SQUARE 1400MM-MATTE WHITE



MULTI SQUARE 1500MM--MATTE WHITE



MULTI SQUARE 1700MM--MATTE WHITE



Prices include GST. All measurements are in millimeters and subject to change without notice. For products, please allow +/- 10mm tolerance for manufacturing variance.