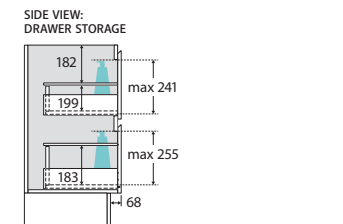
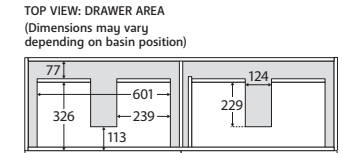
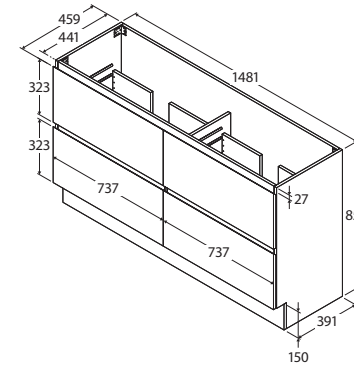


Carmen

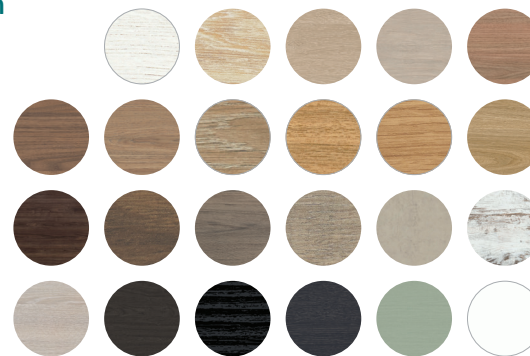
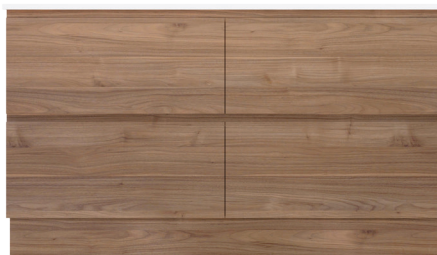
1500MM DOUBLE BOWL
FLOOR STANDING
ALL DRAWER CABINET
WITH FINGERPULL

- Select from over 20 cabinet woodgrain melamine or white finishes
- Horizontal direction for woodgrain finishes
- 'Confident close' drawer damping system combines smooth, fast closing with late deceleration to provide a quiet landing on close
- Full extension runners allow easy access to the full depth of the drawer
- Fresh white interior
- Floor standing
- Full depth (suits 465 mm tops)
- Four drawers
- Bevelled finger-pull
- Made in Australia with FSC certified, E0 board



Available in

Over 20 finishes
CD150FD



Cleaning & Care

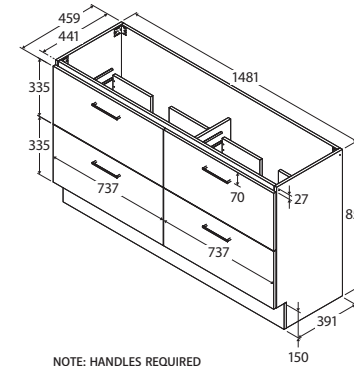
- Regularly clean with mild soapy water using a clean, soft cloth.
- Do not use harsh detergents, bleach, abrasive cleaners or cream/wax cleaners. These substances can result in scratches and/or deposit build-ups that will affect the appearance.
- Avoid placing hot objects, such as hair straighteners, on any surface as these will cause discolouration and marking.
- Spills of hair dye, after-shave lotion, nail polish and remover, aerosol spray and other harsh chemicals should be removed immediately to prevent damage and discolouration. Clean immediately with mild soapy water using a clean, soft cloth.

We aim to ensure that specifications are correct at the time of publication. All measurements are shown in millimetres. For MDF cabinetry, please allow +/- 5 mm tolerance per 1000 mm for manufacturing variance in straightness. Always use measurements of actual product received for final specification as the technical drawing may contain differences. Due to printing limitations, physical colour may vary from the image shown. Fienza reserves the right to make modifications without prior notice.

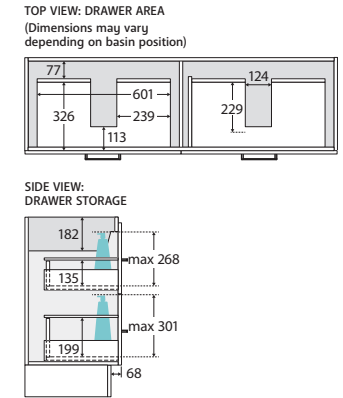
Carmen

1500MM DOUBLE BOWL
FLOOR STANDING
ALL DRAWER CABINET
WITH HANDLES

- Select from over 20 cabinet woodgrain melamine or white finishes
- Horizontal direction for woodgrain finishes
- 'Confident close' drawer damping system combines smooth, fast closing with late deceleration to provide a quiet landing on close
- Full extension runners allow easy access to the full depth of the drawer
- Fresh white interior
- Floor standing
- Full depth (suits 465 mm tops)
- Four drawers
- Requires handles (included in price)
- Made in Australia with FSC certified, E0 board



NOTE: HANDLES REQUIRED



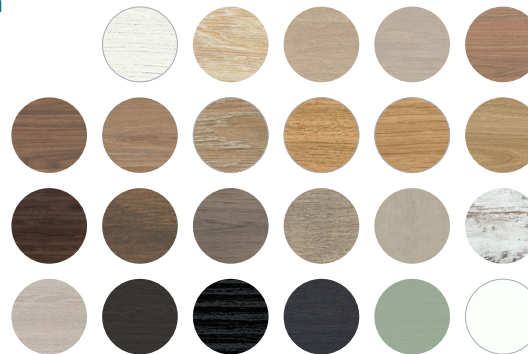
TOP VIEW: DRAWER AREA
(Dimensions may vary depending on basin position)

SIDE VIEW:
DRAWER STORAGE



Available in

Over 20 finishes
CD150FD



Cleaning & Care

- Regularly clean with mild soapy water using a clean, soft cloth.
- Do not use harsh detergents, bleach, abrasive cleaners or cream/wax cleaners. These substances can result in scratches and/or deposit build-ups that will affect the appearance.
- Avoid placing hot objects, such as hair straighteners, on any surface as these will cause discolouration and marking.
- Spills of hair dye, after-shave lotion, nail polish and remover, aerosol spray and other harsh chemicals should be removed immediately to prevent damage and discolouration. Clean immediately with mild soapy water using a clean, soft cloth.

We aim to ensure that specifications are correct at the time of publication. All measurements are shown in millimetres. For MDF cabinetry, please allow +/- 5 mm tolerance per 1000 mm for manufacturing variance in straightness. Always use measurements of actual product received for final specification as the technical drawing may contain differences. Due to printing limitations, physical colour may vary from the image shown. Fienza reserves the right to make modifications without prior notice.