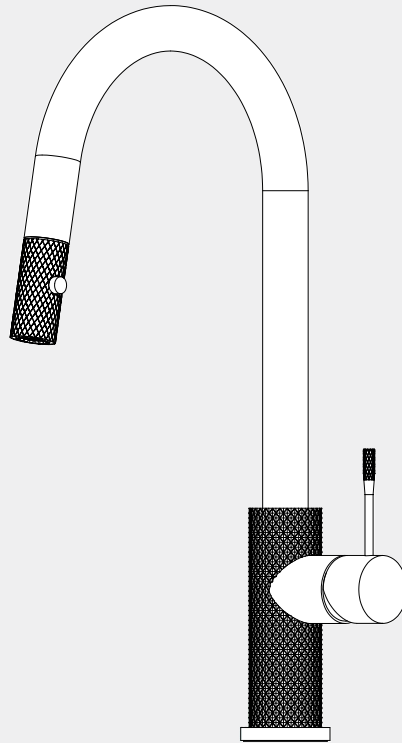


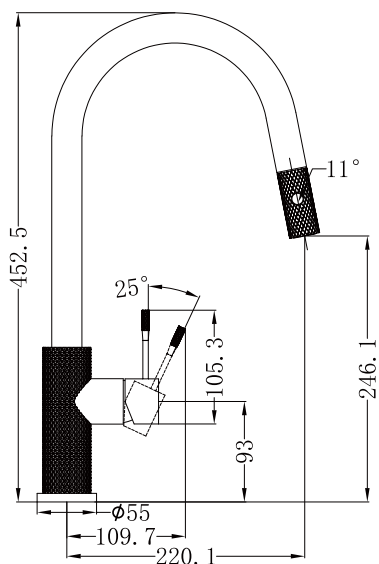
Opal Pull Out Sink Mixer With Vegie Spray Function

Nero



Versions:202401

Drawing



Specifications

Watermark License

WM-060073

Temperature Rating

Min 1°C-Max 75°C


Pressure Rating

Min 150kpa - Max 500kpa

Packaging Includes

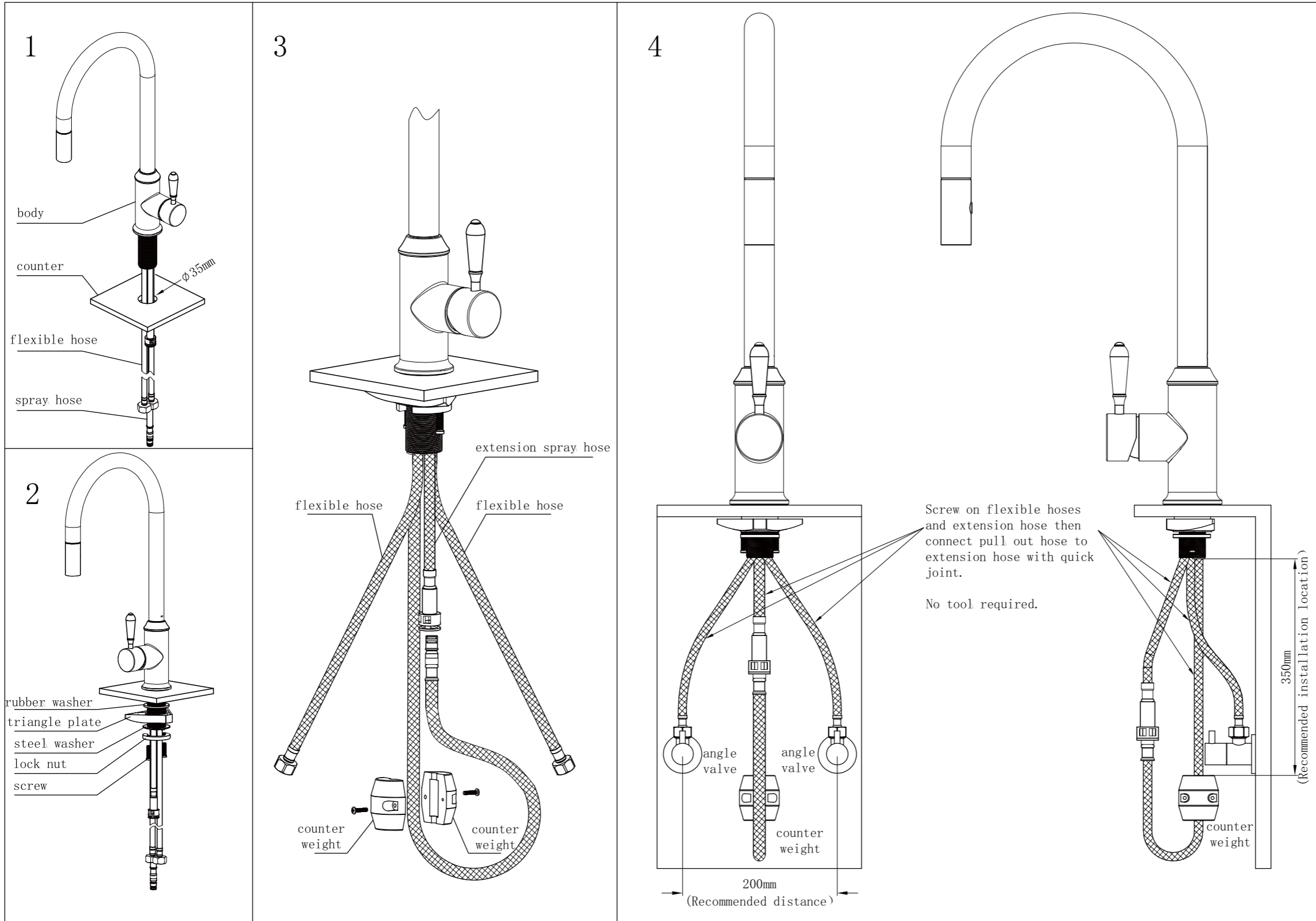
- 1x Pull Out Sink Mixer
- 2x Flexible Hoses
- 1x Hose Tail
- 1x Counter Weight
- 1x Base Ring

Finish & SKU

- | | | | |
|---|------------------------------|---|------------------------------|
|  | Brushed Bronze
NR251908BZ |  | Graphite
NR251908GR |
|  | Brushed Gold
NR251908BG |  | Brushed Nickel
NR251908BN |

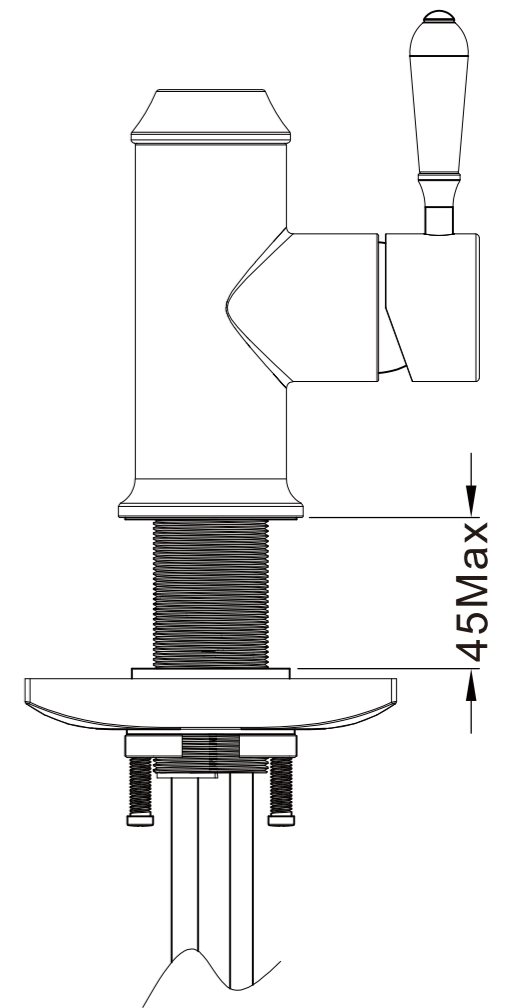
*Dimensions are nominal measurements only.

Installation Instruction



Notes: Dual non-return valve prevents cross-feeding and backflow.

NOTE:



Nero

