



## PRODUCT CONFIGURATION

### PRODUCT IDENTIFIER 1

**OM** = Oval Gear Meter

### METER SIZE 2

**015** = 1/2" (15 mm), 0.26-10.6 GPM (1-40 L/min)

**025** = 1" (25 mm), 2.6-40 GPM (10-150 L/min)

**040** = 1.5" (40 mm), 4-66 GPM (15-250 L/min)

**050** = 2" (50 mm), 8-130 GPM (30-500 L/min) (PPS rotors)

### BODY MATERIAL 3

**H** = High Pressure 316L SS

(5800 PSI / 400 bar)

(4350 PSI / 300 bar, 050 size)

### ROTOR MATERIAL / BEARING TYPE 4

**00** = PPS (Not available for 300°F (150°C) meters) / No bearing

**10** = Keishi Cut PPS (for high viscosity liquids) (Not available for

300°F (150°C) meters) / No bearing

**51** = Stainless Steel / Carbon Ceramic

**71** = Keishi cut Stainless Steel (for high viscosity liquids) / Carbon Ceramic

### O-RING MATERIAL 5

**1** = Viton™ 5° F minimum (-15° C)

**3** = Teflon encapsulated Viton™ 5° F minimum (-15° C)

**4** = Buna-N (Nitrile), -40° F minimum (-40° C)

### MAXIMUM TEMPERATURE LIMIT 6

**-2** = 250° F (120° C) max.

**-3\*** = 300° F (150° C) max. (Hall Only) (includes SS terminal cover)

**-5** = 250° F (120° C) max. (includes integral cooling fin)

**-8** = 176° F (80° C) max. (meters with integral instruments, OM008 with PPS rotors)

### PROCESS CONNECTIONS 7

**1** = BSPP (G) female threaded (ISO 228)

**2** = NPT female threaded

### CABLE ENTRIES 8

**1** = M20 x 1.5 mm (M16 x 1.5mm for R4 options)

**2** = 1/2 " NPT

**6** = 3 x 16 mm drilled holes (for F instruments only)

## OM SERIES MEDIUM CAPACITY HIGH PRESSURE

### FLOMEC® OM Medium Capacity High Pressure Flow Meters

provide volumetric measurement of clean liquids for high pressure. Suitable for applications including metering lubricants, chemicals, grease, additives, and other high viscosity fluids.

### FEATURES / BENEFITS

- High accuracy and repeatability, direct volumetric reading
- No requirement for flow conditioning (straight pipe runs)
- Measures both high and low viscosity liquids
- Optional Exd I/IIIB approval (ATEX, IECEx)
- High Pressure rated up to 5580 psi (400 bar) (4350 psi [300 bar] on 2 " meter)

### INTEGRAL OPTIONS 9

\_\_\_ = Combination Reed Switch and Hall Effect Sensor

**SS** = Stainless steel terminal cover]

**RS** = Reed Switch only - to suit Intrinsically Safe installations

**E1** = Explosion proof Exd IIB T3...T6 [IECEx & ATEX approved]

**E2** = Explosion proof Exd I/IIIB T3...T6 [IECEx & ATEX mines approved]

**R3** = Intrinsically Safe rate totalizer with all outputs (GRN housing) [IECEx & ATEX approved]\*#

**R3G** = RT12 Intrinsically Safe rate totalizer with all outputs (GRN Housing) [IECEx & ATEX approved] (with gallons calibration)\*#

**R4** = RT40 backlit rate totalizer with all outputs (Alloy housing with facia protector) [scalable pulse output, backlight]\*#

**R4G** = RT40 rate totalizer with backlit large digit LCD (Alloy housings with facia) (with gallons calibration)\*#

**R5** = RT14 backlit rate totalizer with all outputs (GRN housing) [scaled pulse, alarms, 4-20mA, backlight]\*#

**R5G** = RT14 backlit rate totalizer with all outputs (GRN Housing) (with gallons calibration)\*#

**E18** = ATEX/IECEx EXd E018 backlit rate/tot, pulse, 4-20mA, lin, HART (AI), Incl. Line Bushing [IECEx & ATEX approved]#

**E19** = ATEX/IECEx EXd E018 backlit rate/tot, pulse, 4-20mA, lin, HART (SS), Incl. Line Bushing [IECEx & ATEX approved]#

**F18** = F018 backlit rate/tot, pulse out, 4-20mA, 10 pt lin, HART#

**F19** = F018 Intrinsically Safe backlit rate/tot, pulse out, 4-20mA, 10 pt lin, HART#

**F31** = F130 Intrinsically Safe 2 stage batch controller#

--->>>> 1 2 3 4 5 6 7 8 9  
OM 025 H 00 1 -5 1 1 R5

\*Temp code 5 required for integral instruments between 176°F (80°C) & 250°F (120°C)

#Temp code 8 required for integral instruments below 176°F (80°C)

\*Option will de-rate meter pressure ratings by 20%

## SPECIFICATIONS

	OM015	OM025	OM040	OM050
Nominal Size:	1/2" (15 mm)	1" (25 mm)	1.5" (40 mm)	2" (50 mm)
Nominal Flow* Range @ 3cP:	0.26-10.6 GPM (1 - 40 L/min)	2.6-40 GPM (10-150 L/min)	4-66 GPM (15-250 L/min)	8-118 GPM (30-450 L/min) (SS Rotors) 8-130 GPM (30-500 L/min) (PPS Rotors)
Accuracy:	± 0.5% of reading (± 0.2% of reading with optional RT14)			
Repeatability:	Typically ± 0.03% of reading			
Max. Pressure - High Pressure meter Bar [psi] (threaded)	5800 psi (400 bar)			4350 psi (300 bar)
Protection Class:	IP66/67 (NEMA 4X) optional EX-d I/II B T4/T6, Integral ancillaries can be supplied with I.S. (Intrinsically Safe)			
Recommended Filtration:	100 mesh (150 µm)			
Electrical:				
Output Pulse Resolution:	Pulses / gallon (Pulses / L) - Nominal			
Reed Switch:	318 (84)	102 (27)	53 (14)	25 (6.5)
Hall Effect:	636 (168)	405 (107)	212 (56)	99 (26)
High Resolution Hall Effect:	636 (168)	204 (54)	106 (28)	49 (13)
Reed Switch Output:	30V (dc) x 200mA Max (Maximum thermal shock 18°F [10°C] /min)			
Hall Effect Output:	3 wire open collector, 5 - 24V (dc) max, 20mA max.			

## APPLICATIONS

- Aviation
- Mining
- Power
- Chemical
- Pharmaceutical
- Food
- Paint
- Petroleum Industries
- Environmental

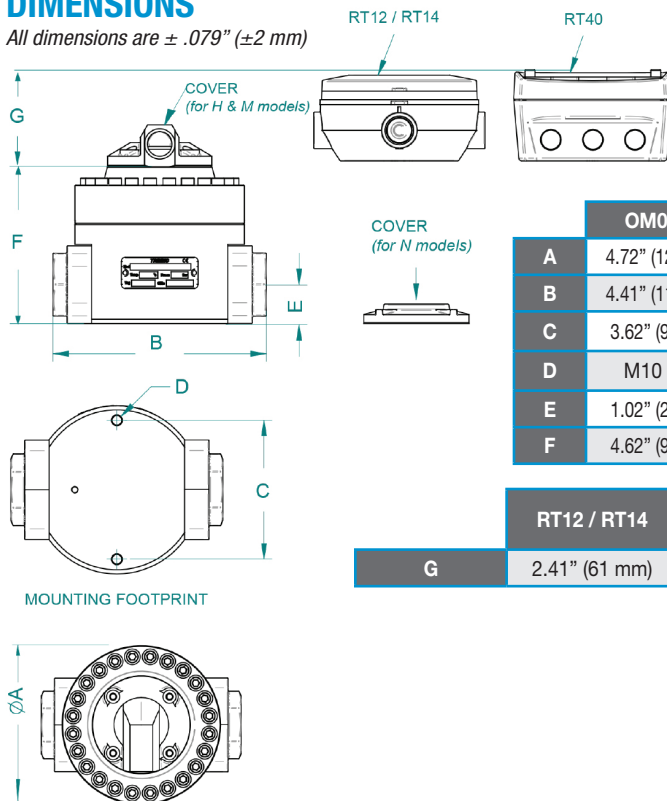
## APPROVALS



\*Maximum flow reduces as viscosity increases, see flow de-rating guide. Max recommended Pressure drop is 14.5 psi (1 bar).

## DIMENSIONS

All dimensions are ± .079" (±2 mm)



	OM015H	OM025H	OM040H	OM050H
A	4.72" (120 mm)	4.72" (120 mm)	6.30" (160 mm)	7.09" (180 mm)
B	4.41" (112 mm)	6.03" (152 mm)	8.54" (217 mm)	9.29" (236 mm)
C	3.62" (92 mm)	3.90" (99 mm)	5.28" (134 mm)	consult distributor for mounting footprint
D	M10 x 13	M8 x 16	M10 x 16	
E	1.02" (26 mm)	1.08" (27.5 mm)	1.54" (39 mm)	2.01" (51 mm)
F	4.62" (92 mm)	4.41" (112 mm)	6.18" (157 mm)	6.77" (172 mm)

	RT12 / RT14	RT40	COVER (N Meters)	COVER (H & M Meters)
G	2.41" (61 mm)	2.48" (63 mm)	0.51" (13 mm)	1.26" (32 mm)

**Service & Warranty:** For technical assistance, warranty replacement or repair contact your FLOMEC® or GPI® distributor. In North or South America: 888-996-3837 / FLOMEC.net Outside North or South America: +61 2 9540 4433 / FLOMEC.net