



# QS200 Series Application Sheet

Company Type: **Park Management**

Market: **Irrigation / Landscaping**

Application Category: **Water Management**

Model Number: **QS200**

## ADVANTAGES OF USING FLOMEC® METERS

- No flow disturbance
- No moving parts
- Compatibility
- Low/High flow accuracy
- Reduced maintenance
- Ultrasonic technology

### APPLICATION:

The park is watered by using irrigation zones. Each irrigation zone has a valve that turns the flow of water on or off. These zones get water supply from a main water line that has a Master Valve. A mechanical impeller meter was being used at the Master Valve to give flow rate information to the irrigation controller. This irrigation controller decides which zones get watered via control of the zone valves and Master Valve. Flow accuracy is vital for ideal irrigation and responsible water management.

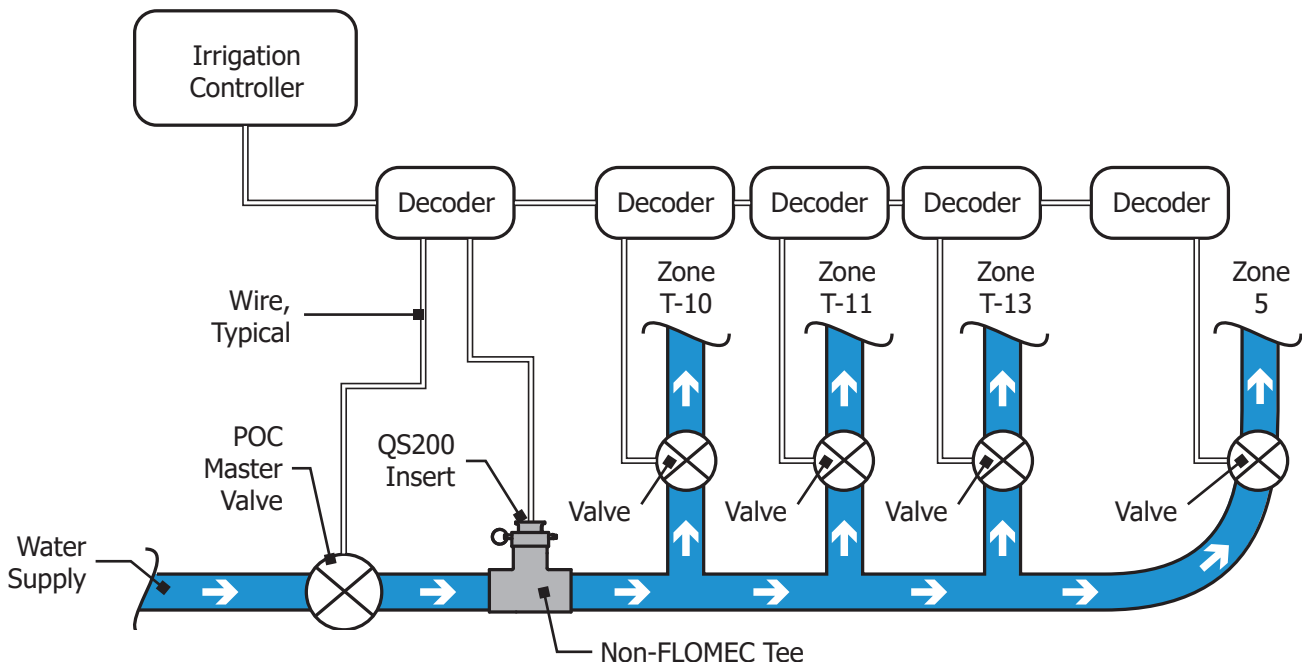
### PROBLEM:

A mechanical impeller meter is not ideal for low flow measurement. Irrigation needs accurate flow readings at both low and high flow rates. Also, the mechanical impeller meter requires more maintenance. The mechanical impeller or its assembly sometimes requires replacement due to physical wear and tear. During maintenance, park staff has to be conscious of air in the line due to in-rushing water (at high velocity) that can damage the impeller (compressed air can also damage the impeller).

### SOLUTION:

The FLOMEC® QS200 is ideal for irrigation needs, measuring high and low flow with excellent accuracy using ultrasonic technology. There are no “moving parts” in the QS200, removing the need to replace damaged impeller assemblies. The QS200 is a compatible retrofit improvement to the existing mechanical impeller meter (compatible with existing tee) and the wiring to the controller is *identical*. Only the K-factor and Offset Value in the controller need to be changed. By installing the QS200, the park will benefit from more accurate flow readings which will enable the irrigation controller to provide better water management with reduced maintenance time (and hassle).

**NOTE:** Zone T-10, Zone T-11, Zone T-13, and Zone 5 are irrigation zones for water supply



**APPLICATION DETAILS & SPECIFICATIONS:**

[Click here](#) to read our White Paper detailing the differences between an insertion impeller meter's **Full Scale (FS) Accuracy** and a ultrasonic meter's **Percentage of Reading (RD) Accuracy**.

[Click here](#) to read the FLOMEC® QS200 Data Sheet.

**Note About Decoders:** Decoders tend to be daisy chained to each other down the line to an irrigation controller's output (depends on controller manufacturer's design). The decoders merely help in relaying information to the controller. The QS200 insert retrofit can be wired to decoder the same way as the existing impeller meter without compromising performance.

**Note About Non-FLOMEC Tee:** Some impeller sensor's tees are compatible with the QS200 insert. This application's Non-FLOMEC Tee was compatible with the QS200, however, there are many different impeller sensors/tees. Only use a Non-FLOMEC Tee if it is verified to be QS200 compatible (Do NOT use for the QS200 otherwise). The FLOMEC tee provides better performance with the QS200 insert.

---

Wichita / Sydney

GREAT PLAINS INDUSTRIES



Great Plains Industries, Inc. / 888-996-3837

Great Plains Industries, Inc. Australia / +61 2 9540 4433