

## Go Power! OEM Install Guide: 330W Dual Charging System

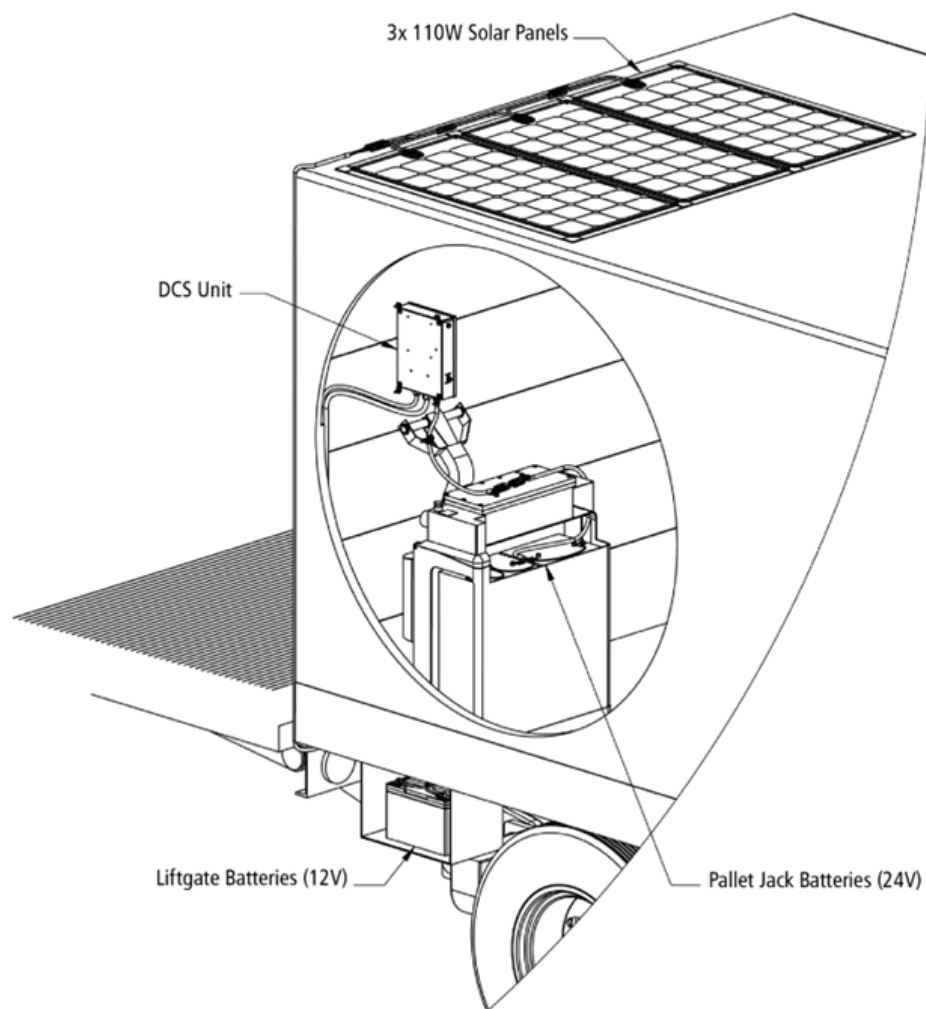
©2022 Go Power! | Dometic 82675-G – INSTALL GUIDE, 330W DUAL CHARGING SYSTEM

### 1. GENERAL

The Dual Charging System is designed to increase the life and performance of your liftgate and pallet jack batteries by providing a clean, quiet, and sustainable power source. The auto-switching functionality of the DCS unit allows for easy switching between charging the liftgate and pallet jack.

**NOTE**

This manual will aid in the process of installing the Go Power! Solar Kit. Please read and understand this manual before installation. Review all figures included in this guide for the easiest and safest installation



### 2. DISCLAIMERS

**IMPORTANT:** Please follow installation and wiring instructions exactly as outlined to ensure safety. We recommend installation by a technician or professional electrician to ensure adherence to relevant electrical codes. We have made every reasonable effort to ensure the accuracy of the instructions in this manual, but Go Power! does not guarantee that the information is error free, nor do we make any other representation, warranty or guarantee that the information is accurate, correct, reliable or current. For additional information please see [www.gpelectric.com](http://www.gpelectric.com).

## Go Power! OEM Install Guide: 330W Dual Charging System

©2022 Go Power! | Dometic 82675-G – INSTALL GUIDE, 330W DUAL CHARGING SYSTEM

**DISCLAIMER:** This kit has been engineered for use in a mobile application. Any variance by the end-user is solely of their own discretion. Go Power! Dometic assumes no responsibility for improper installation in accordance with any laws and regulations governing: cottage, residential or commercial applications. Go Power! disclaims liability for any direct, indirect or incidental damages caused by, or in case of, installation not performed following the instructions and cautions in this manual. Go Power! will refuse requests for exchanges or returns, resulting from the purchase and installation of items which do not comply with local codes. To avoid such concerns Go Power! recommends installation by a professional electrician or technician. Examples that are shown within this manual are for illustrative purposes only.



**WARNING:** The solar panels must be securely fastened only to a rigid surface on your truck/trailer roof. Failure to do so could cause the panels to lift, flex and separate from the roof while in transit which could cause significant damage, fire and/or injury.

### 3. CAUTIONS

**Disconnect all power sources before attempting installation**

Electricity can be very dangerous. Installation should be performed only by a licensed electrician or qualified personnel.



**Solar panel safety**

Photovoltaic panels generate DC electricity when exposed to sunlight or other light sources. Contact with the electrically active parts of the panel, such as terminals, can result in burns, sparks and lethal shock whether the panel is connected or disconnected.

When panels are connected in series, voltages are additive. Consequently, a system assembled from photovoltaic panels can produce high voltages, which constitute an increased hazard. Do not touch terminals while panel is exposed to light. Cover the panel face completely with opaque material to halt the production of electricity when installing or working with panels or wiring.



**Battery and wiring safety**

Observe all safety precautions of the battery manufacturer when handling or working around batteries. When charging, batteries produce hydrogen gas, which is highly explosive. Work in a well-ventilated area and use caution when making or removing electrical connections. Ensure wires are disconnected from their power sources when wiring. Do not expose battery to open flame, cigarettes or sparks. Shield skin and eyes from battery acid.



Ensure all connections are tight and secure. Loose connections may generate sparks and heat. Be sure to check connections one week after installation to ensure they are still tight.



**Work safely**

Wear protective eyewear and appropriate clothing during installation. Use extreme caution when working with electricity and when handling and working around batteries. Use properly insulated tools only.



**Observe correct polarity at all times**

Reverse polarity of the battery terminals or solar terminals may damage the controller.



**Do not exceed the voltage and current ratings of the Solar Controller**

The total system voltage is the sum of the open circuit voltage (Voc) of the panels in series and is not to exceed 85V.

The system current (Imp) is not to exceed 20A

## Go Power! OEM Install Guide: 330W Dual Charging System

©2022 Go Power! | Dometic 82675-G – INSTALL GUIDE, 330W DUAL CHARGING SYSTEM

### 4. PLANNING

1. Turn off any accessories or equipment, including connection(s) to the truck/tractor.
2. Disconnect all negative battery connections from the liftgate batteries.
3. Determine the location for solar panel installation. Usually the panels are mounted on the roof above the battery location to keep the wire run as short as possible.
4. Plan out wire routing before permanently mounting the solar panel and any wiring. In many installations it is better to mock up the whole installation before adhering the panels.

#### NOTE

- Leave a gap of 1" between panels to allow for expansion and contraction and to ensure solar cells are not covered by 4EvaSeal Tape.
- Ensure that all wiring is protected from rough or sharp edges.
- Must use isopropyl alcohol or any other degreaser. Must ensure the solar panel location is completely clean. This surface must be dry and above 45°F/8°C before adhering the panel to the trailer roof.

### 5. SOLAR PANELS

1. Remove the thin protective layer from the top surface of the panel.
2. Peel back a small portion (~5") of the nonstick layer of the adhesive backing tape (Figure 1) on the top or bottom of the solar module. Place the side of the panel with the exposed adhesive in the desired panel location.
3. Now that your panel is in position, remove the remainder of the nonstick layer. Press down on the panel. Apply even pressure to the entire panel to ensure it is properly adhered to the trailer roof.
4. Apply 4EvaSeal Tape over the perimeter of the panel. Ensure solar cells are not covered. If using tape, ensure good adhesion around entire perimeter of solar panel. (Figure 2)
5. Repeat steps 1–4 for each panel. Locate multiple panels adjacent to each other.
6. Use the SC cables that are connected to the solar panel junction box. Connect the positive SC connector to the negative connect or of the adjacent panel. This will connect the panels in series and compound the output voltage of the panel. Connect the 3ft. SC extension harness to the free connector of the furthest panel from where the solar extension will be routed from. (Figure 3)
7. Connect the solar extension harness to the unused positive and negative connectors on the panel and 3ft. SC extension harness. Secure all harnessing to roof using 4EvaSeal Tape, high-bond adhesive, for example Sikaflex 221, or fasteners. (Figure 4)
8. Route the harness down the trailer to the DCS unit. If available, use an existing conduit or channel. (Figure 5)
9. Cover solar panels with opaque material or the boxes they came in to halt the production of electricity while installing solar wiring to the DCS unit in Part 3

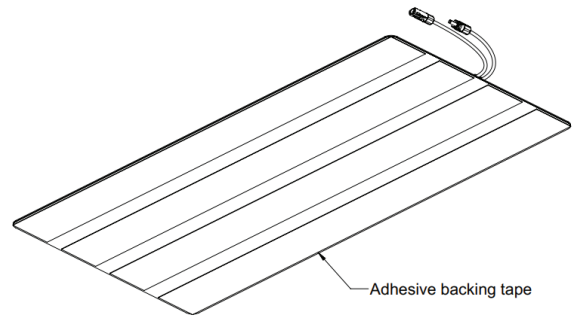


FIGURE 1

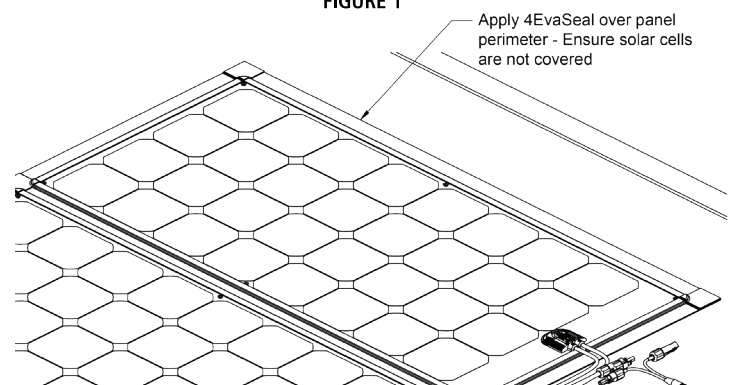


FIGURE 2

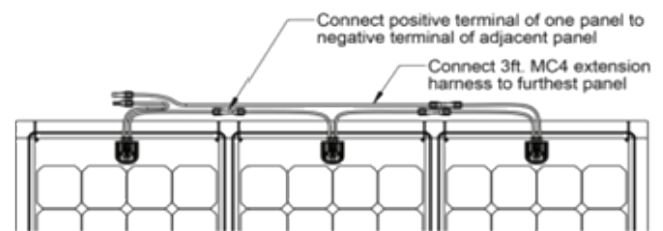


FIGURE 3



FIGURE 4

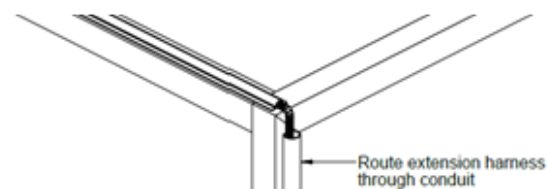


FIGURE 5

## Go Power! OEM Install Guide: 330W Dual Charging System

©2022 Go Power! | Dometic 82675-G – INSTALL GUIDE, 330W DUAL CHARGING SYSTEM

### 6. SOLAR CHARGE CONTROLLER

1. Route the liftgate battery harness from the liftgate batteries to the desired location of the DCS unit. Ensure the ring terminals can reach the battery terminals, but do not attach at this time.
2. Find a location within the truck/trailer where the unit can be mounted. Ensure this location meets the following criteria:
  - a. Close enough to where the pallet jack can be stored for charging when not in use (within reach of pallet jack battery harnesses).
  - b. High enough on the wall to avoid impact damage from pallet jack operations.
  - c. Within reach of solar and liftgate battery harnesses.
  - d. Solar disconnect easily accessible.
3. Loosen the 4 screws for the cover of the unit and remove the hardware bag.
4. Install the 4 brackets to the back surface of the unit using the 4 thread-locking machine screws (blunt end). (Figure 6)

**NOTE** • Ensure the screws are installed through the slotted feature with the bracket lip held firmly against the unit housing for proper support.

5. Mount the unit to the wall vertically using 4 of the self-tapping screws (pointed end) and lock washers. (Figure 6)

**NOTE** • The self-tapping screws are designed for use with sheet metal. Alternate fasteners may be used for increased mounting strength or for other wall compositions.

6. Ensure the solar disconnect switch on the right side of the unit is in the off position.
7. Route the solar extension harness to unit. Cut the harness so it can easily reach, with at least 1ft of excess length.
8. Cut back the split tube from the harness so the solar wires can be inserted through the solar cable gland (right) and the split tube is as close to the gland as possible. (Figure 7)
9. Cut the solar wires so they can be installed into the closest vacant terminal blocks. Ensure the wires will not interfere when installing the unit cover back on.
10. Strip back the solar wire insulations 3/8" (10mm). Use a small flat screwdriver, inserted into the spring cage slot, as a lever to disengage/engage the wire clamping mechanism and insert the bare wire into the terminal block. Ensure the solar positive wire (red) is inserted into the red terminal block and the negative wire (black) is inserted into black terminal block. (Figure 7).
11. Restrain the solar cable gland using a thin 1" wrench (crowsfoot or open end) and tighten the sealing nut to 70 in. lbs. (max) using a second 1" wrench.
12. Install a tie wrap around the cut end of the solar harness split tube near the cable gland and securely tighten.
13. Repeat steps 7-12 for the liftgate battery harness, but with wires inserted through middle cable gland, positive wire (red) inserted into right terminal block and negative wire (black) inserted into left terminal block (Figure 8), and cable gland and sealing nut restrained and tightened with 1-1/16" wrenches.
14. Mount the pallet jack battery extension harness from the unit to the wall using the loop clamps and remaining lock washers and self-drilling screws to ensure any harness strain is relieved by the loop clamps and not the unit. (Figure 9)

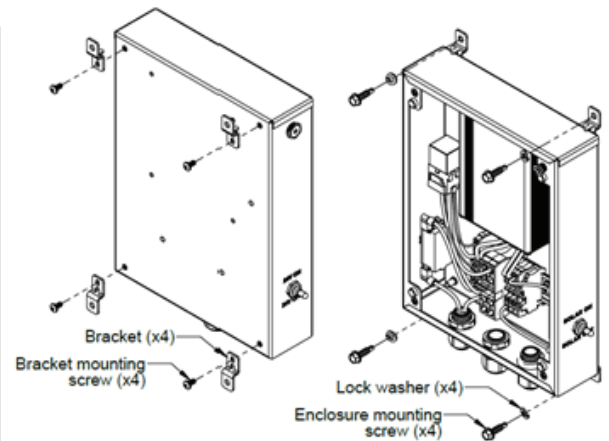


FIGURE 6

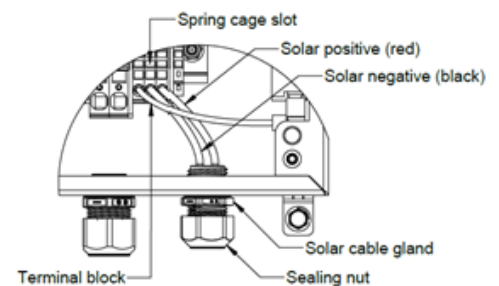


FIGURE 7

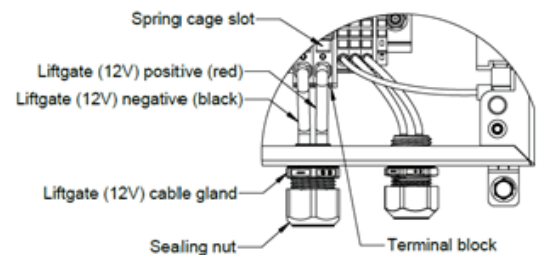


FIGURE 8

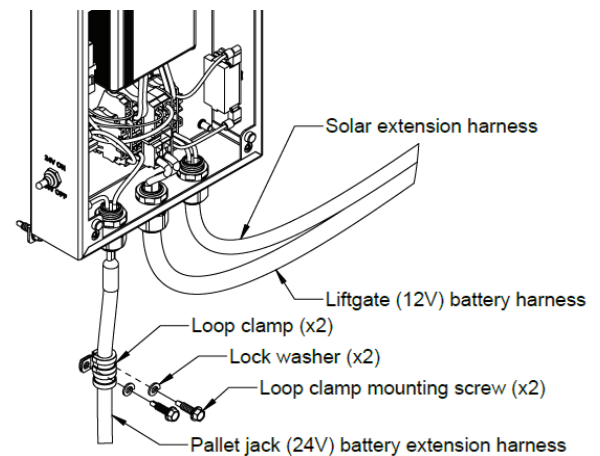


FIGURE 9



## Go Power! OEM Install Guide: 330W Dual Charging System

©2022 Go Power! | Dometic 82675-G – INSTALL GUIDE, 330W DUAL CHARGING SYSTEM

15. Ensure the pallet jack disconnect switch (24V) on the left side of the unit is in the off position.
16. There are two methods for connecting the DCS unit to the pallet jack. Follow Step 17 for SB50 Direct Connection and Step 18 for SB175-SB50 Adapter Connection.
17. SB50 Direct Connection:
  - a. Connect the SB50 battery harness with ring terminals directly to the pallet jack batteries. Attach the red wire to the positive terminal on one side of the battery bank and the black wire to the negative terminal on the opposite side of the battery bank to ensure even charging. (Figure 10)
  - b. Route the pallet jack battery harness from the battery bank to a location where the SB50 connector is accessible for frequent connecting and disconnecting. (Figure 10).
  - c. Connect the SB50 battery harness to the SB50 extension harness from the DCS unit. (Figure 11)
18. SB175 - SB50 Adapter Connection:
  - a. Connect the SB175-SB50 adapter harness to the SB175 connector on the pallet jack. (Figure 12)
  - b. Connect the other end to the SB50 extension harness from the DCS unit. (Figure 12)
19. Complete the connection from the unit to the liftgate batteries by attaching the red wire to the positive terminal and the black wire to the negative terminal. If installing to more than one battery, connect batteries together as shown to charge and discharge batteries evenly. (Figure 13)
20. Install any cable mounts, tie wraps or other wire management parts (not included) to ensure the solar and battery harnesses are properly strain relieved and clear from sharp edges and potential damage from pallet jack operations.
21. Complete the connection from the unit to the solar panels by turning on the solar disconnect switch. To ensure the solar panels are charging the batteries, a clamp-on ammeter is required. Ensure the solar panels are in the sunlight (opaque material removed). Clip the ammeter around the FIGURE 10 positive wire of the liftgate battery harness between the unit and the liftgate batteries. Activate the liftgate for one cycle. Note, the solar charge controller in the unit can take up to one minute to start charging, so there may be a delay before current flow is registered on the ammeter.
22. To activate the second charging function, complete the connection from the unit to the pallet jack batteries by turning on the pallet jack disconnect switch (24V). Clip the ammeter around the positive wire of the pallet jack battery harness between the unit and the pallet jack batteries.
23. To reactivate the liftgate charging function, disconnect the pallet jack battery harnesses by unmating the connectors.
24. Reinstall the covers of the unit and batteries after testing of both charging functions is complete.

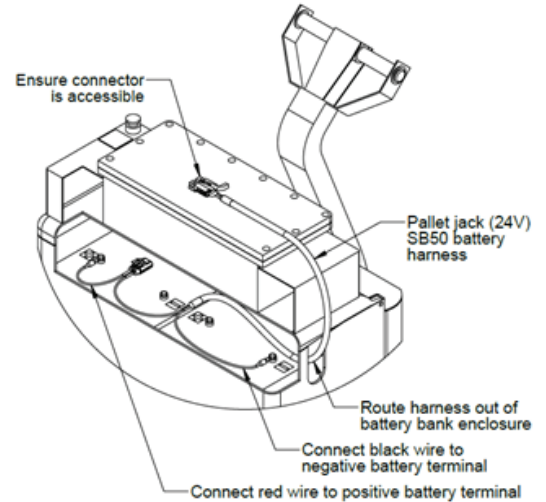


FIGURE 10

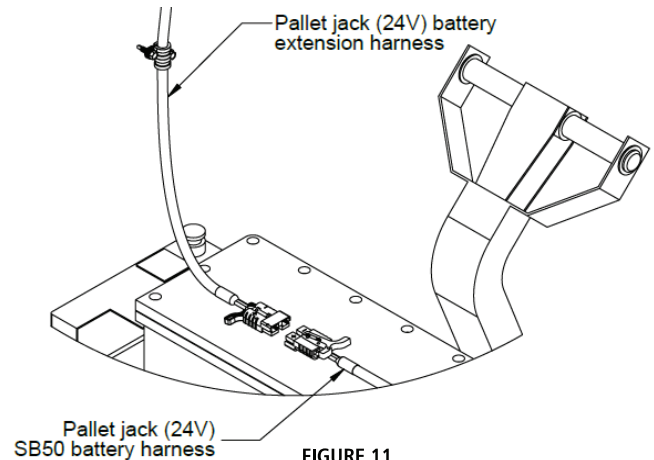


FIGURE 11

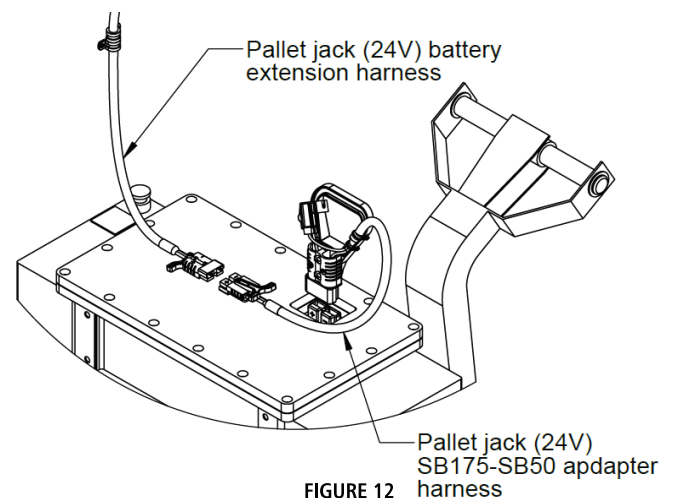





FIGURE 12

## Go Power! OEM Install Guide: 330W Dual Charging System

©2022 Go Power! | Dometic 82675-G – INSTALL GUIDE, 330W DUAL CHARGING SYSTEM

LED INDICATIONS & WARNING FUNCTIONS		
LED	Status	Function
	On	Controller connected to battery, night detected
	Flash	Controller connected to battery, day detected
	Off	No battery connected
	On	Charging failure (overvoltage/overcurrent)
	Off	Charging OK
	On	Battery voltage very low or high voltage disconnect (HVD)
	Off	Battery voltage in normal range
ALL LED	Green -> Red -> Green	Programming

### 7. SOLAR PANEL MAINTENANCE

Although Go Power! Solar Kits are generally maintenance free, performance gains can be made with clean solar panels.

1. Clean the solar panels monthly. Use water and a soft sponge or cloth. A mild non-abrasive cleanser can be used for more stubborn residue. Rinse well.
2. Clean solar panels more frequently during drier months, as they may become covered in dust more quickly. A pressure washer is not recommended.
3. Visual inspection – check the exterior for cracks, missing or broken hardware or other potential problems. Check all roof penetrations and replace sealant areas as required.

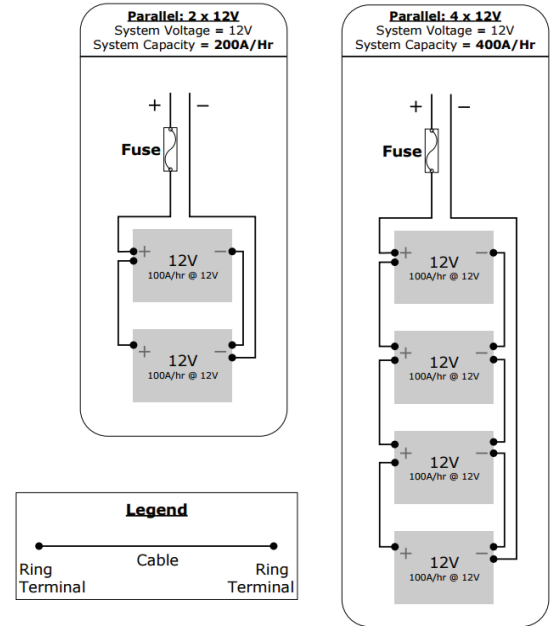


FIGURE 13