

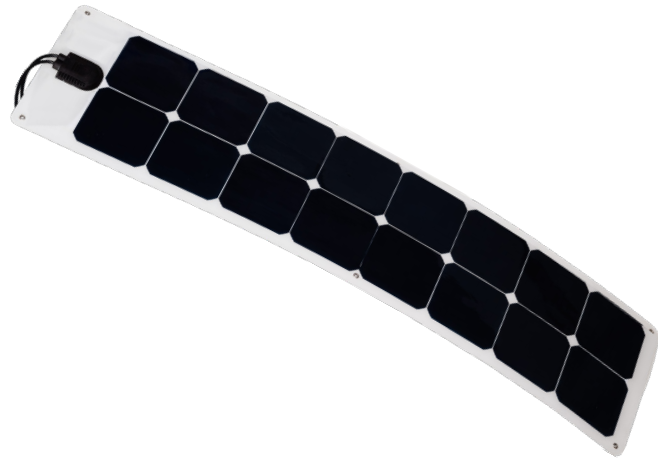
# FLEX-55 SOLAR MODULE

## CATEGORY:

FLEX SOLAR PANELS

## MODEL TYPE:

FLEX-55



## IDEAL FOR:



# 5 YEAR WARRANTY

## SYSTEM CONTROL AT YOUR FINGERTIPS

Unlock the full potential of your RV's power system with the Go Power! Connect app!

Get real-time insights into your solar charging stats, battery levels, and power consumption on your mobile device. Monitor performance, and set inverter and charging parameters. Available on the iOS and Android app store.



## FLEX-55

Solar Flex™ solar panels are designed to provide a powerful charging solution for batteries. Unlike other 'thin' products, Solar Flex™ uses high-efficiency monocrystalline cells that produce more power per square foot than any other flat panel on the market. An impermeable lamination coats the entire module, allowing it to flex against curved areas and eliminating any need for a bulky frame. The flat, lightweight module is less than 1/8 inch thick and provides an extremely durable surface. The panel can be affixed by adhesive or screw mounting options and quick-connect solar connectors (SC) cables are an added bonus for ease-of-installation.

## KEY FEATURES



**HIGH-EFFICIENCY, BACK-CONTACT SOLAR CELLS**



**PENETRATING OR ADHESIVE MOUNTING OPTIONS**



**CURVES UP TO 30 DEGREES**



**UP TO 82% LIGHTER THAN OTHER SOLAR MODULES**



**INDUSTRY STANDARD QUICK-CONNECT CABLES**



**WIRE IN SERIES OR PARALLEL**



**MARINE GRADE MATERIAL**

## INCLUDED IN:

- FLEX-55
- FLEET KITS



P: +1 866 247 6527  
E: sales@gopowersolar.com  
W: gopowersolar.com

201 - 710 Redbrick St,  
Victoria, British Columbia,  
Canada, V8T 5J3

## SPECIFICATIONS

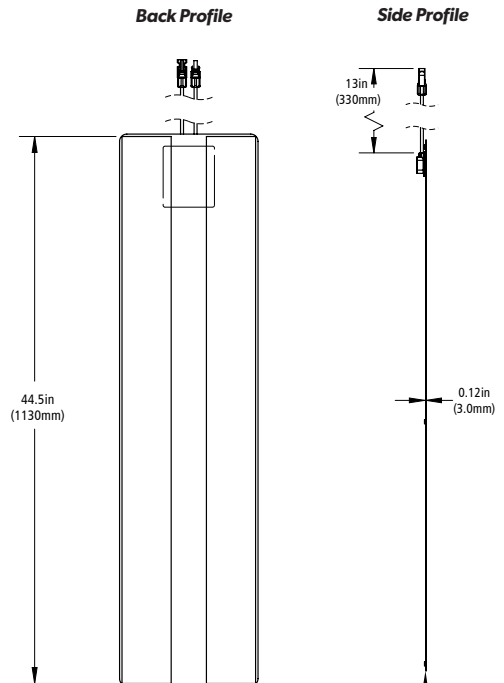
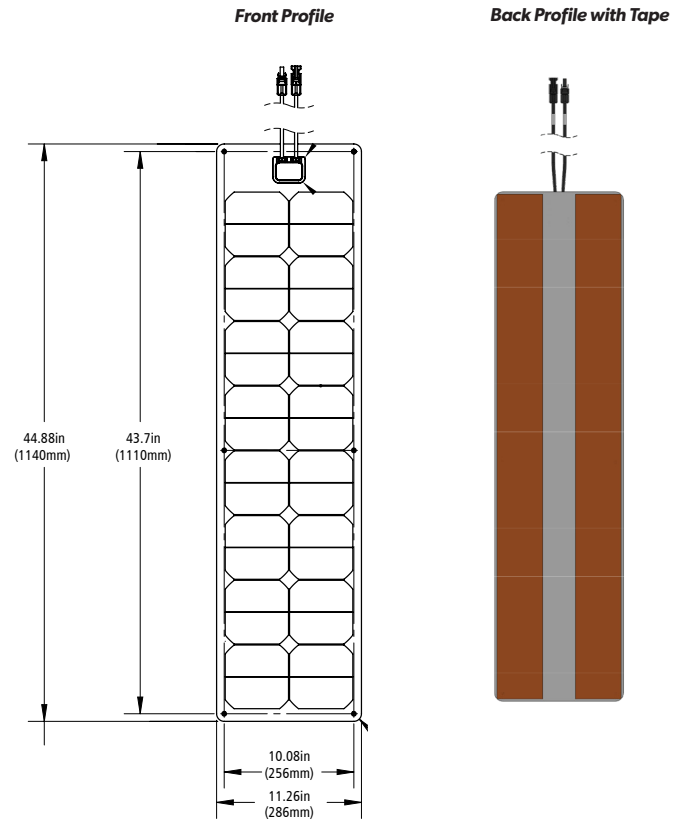
Rated power (Pm)	55W
Maximum power voltage (Vmp)	17.6V
Maximum power current (Imp)	2.88A
Open circuit voltage (Voc)	19.0V
Short circuit current (Isc)	3.04A
Power coefficient	31.3 °F / -0.38% °C
Voltage coefficient	-77.44 °F / -60.8mV °C
Current coefficient	35.9°F / 2.2mA °C
Max power tolerance	+/- 5%
Cell type	Monocrystalline
Solar cell efficiency	21%
Series fuse rating	10A
Maximum system voltage	600VDC
Weight	1.6 lb (0.72 kg)
Dimensions	44.9 x 11.3 x 0.1 in 1140 x 286 x 3 mm
Frame type / material	DNP topcoat, includes stainless steel grommets

30° max. recommended bend

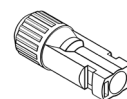
Power Specifications calculated at STC:

- Irradiance: 1000 W/m<sup>2</sup>
- Cell Temperature: 77 °F (25 °C)
- Air Mass: 1.5

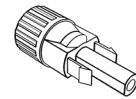
## DIMENSIONS



### Solar Connectors (SC)



- Negative



+ Positive

Specifications subject to local environmental conditions.  
Specifications may be subject to change.



P: +1 866 247 6527  
E: sales@gopowersolar.com  
W: gopowersolar.com

201 - 710 Redbrick St,  
Victoria, British Columbia,  
Canada, V8T 5J3