

**Go Power!**<sup>®</sup>



## POWERFUL AND ECONOMICAL BATTERY CHARGING KITS



Includes everything for a simple installation: all mounting hardware and solar cables.

Digital pulse width modulated (PWM) solar controller regulates the battery charging system and prevents over-charging and damage to the battery. Simple push button operation. For 80 watt and 20 watt kits only. 5 year solar controller warranty.

### GP-ECO-80 / GP-ECO-20 / GP-ECO-10

Solar starter kit comes with everything you need to install on your rooftop.

80 watt solar charging kit for weekend camping

- Includes 25' set of MC4 solar cables and 10 amp digital solar controller
- 10 amp flush-mount digital solar controller
- 25 year limited solar panel output power warranty

20 watt solar kit to trickle charge your batteries

- Include 25' of solar cables
- 10 year limited solar panel output power warranty
- 10 amp flush-mount digital solar controller

10 watt solar kit to trickle charge your batteries

- 23' cable with built-in fuse
- 10 year limited solar panel output power warranty

High-efficiency solar panels with tempered glass to withstand hail or light debris.



AUTHORIZED DEALER

Specifications may be subject to change. Product may not be exactly as shown. Specifications subject to local environmental conditions.



## Solar Panel

SPECIFICATIONS	GP-ECO-80	GP-ECO-20	GP-ECO-10
Rated Power (Pm)	80 W	20 W	10 W
Maximum Power Voltage (Vmp)	18.4 V	17.5 V	17.5 V
Maximum Power Current (Imp)	4.35 A	1.14 A	0.57 A
Open Circuit Voltage (Voc)	22.8 V	21.6 V	21 V
Short Circuit Current (Isc)	4.60 A	1.21 A	0.62 A
Cell type	Monocrystalline	Monocrystalline	Monocrystalline
Max System Voltage	1000 VDC	600 VDC	600 VDC
Weight	13.2 lb (6 kg)	3.97 lb (1.8 kg)	1.7 lb (0.8 kg)
Dimensions	30.71 x 26.46 x 1.38 in (780 x 672 x 35 mm)	13.58 x 18.50 x 0.98 in (345 x 470 x 25 mm)	13.19 x 9.25 x 0.98 in (335 x 235 x 25 mm)
Frame type / material	Clear anodized aluminium frame		
Warranty (Limited Power Output)*	25 year	10 year	10 year

\*see website for full warranty details

## Digital Solar Controller

SPECIFICATIONS	GP-PWM-10
Nominal System Voltage	12V
Max Solar Array Current	10A
Battery Voltage Range	9V – 15.5V
Max. Solar panel input voltage	28V
Operating Consumption	6mA
Display Consumption	10mA
Temp. Compensation	-13mV/°F (- 24mV/°C)
Operating Temperature	- 40 to 185° F (- 40 to 85°C)
Humidity	99% N.C.
Dimensions (H x W x D):	3.94 x 4.02 x 1.14 in (100 x 102 x 29 mm)
Weight	6.3 oz (178 grams)
Maximum Wire Gauge:	#4 AWG
Warranty	1 year
Protection	Battery Reverse Polarity, Solar Array Reverse Polarity, Over temperature, Over Current

### OPTIONAL CABLE ENTRY PLATE

(For 80 Watt Only)

Use our Cable Entry Plate with a Go Power! Solar Kit to run your wire where you want and reduce exposed cables on the roof.

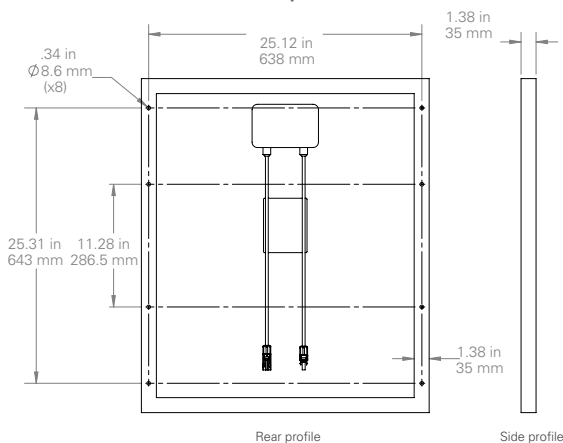
- ➔ Built for easy expansion
- ➔ Cuts installation time
- ➔ Protects cable connections
- ➔ Clean and tidy wire configuration
- ➔ Eliminates possibility of leaks
- ➔ Connects with industry standard MC4 cables (included in Go Power! kits)
- ➔ 5 year warranty



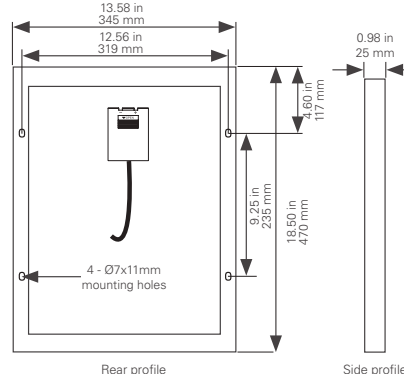
GP-CEP



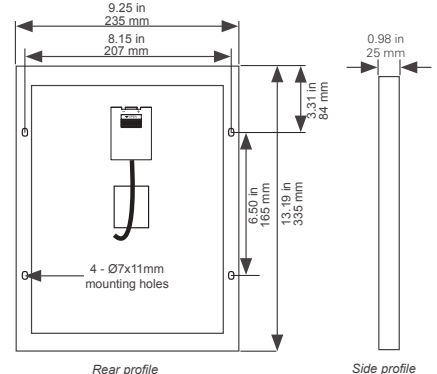
### 80 watt panel



### 20 watt panel



### 10 watt panel



Specifications may be subject to change.

© 2020 Go Power! Doc: SPEC\_GP\_ECO\_SERIES\_revE