



On when
it counts.



Application

- LED Marker Light
- LED Clearance Light

Certifications & Ratings

- FMVSS 108

Features & Benefits

- Integral wiring
- Surface mount
- Reverse polarity protected
- Maintenance saving
- Aluminum guard available

Mechanical Information

Mounting Hole Size	0.5 in (12.7 mm) two 0.22 holes, 3" on centers
Mounting Torque	12 – 14 in-lbs.

Electrical Specification

Nominal Voltage	12 VDC and 24 VDC
Typical Current	12 VDC Amber 90 mA @ 13.5 VDC Red 60 mA @ 13.5 VDC 24 VDC Amber 50 mA @ 24 VDC Red 50 mA @ 24 VDC

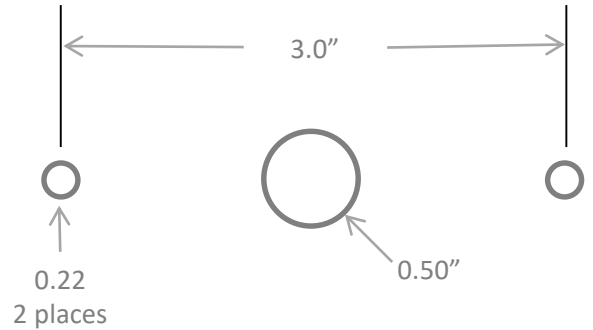
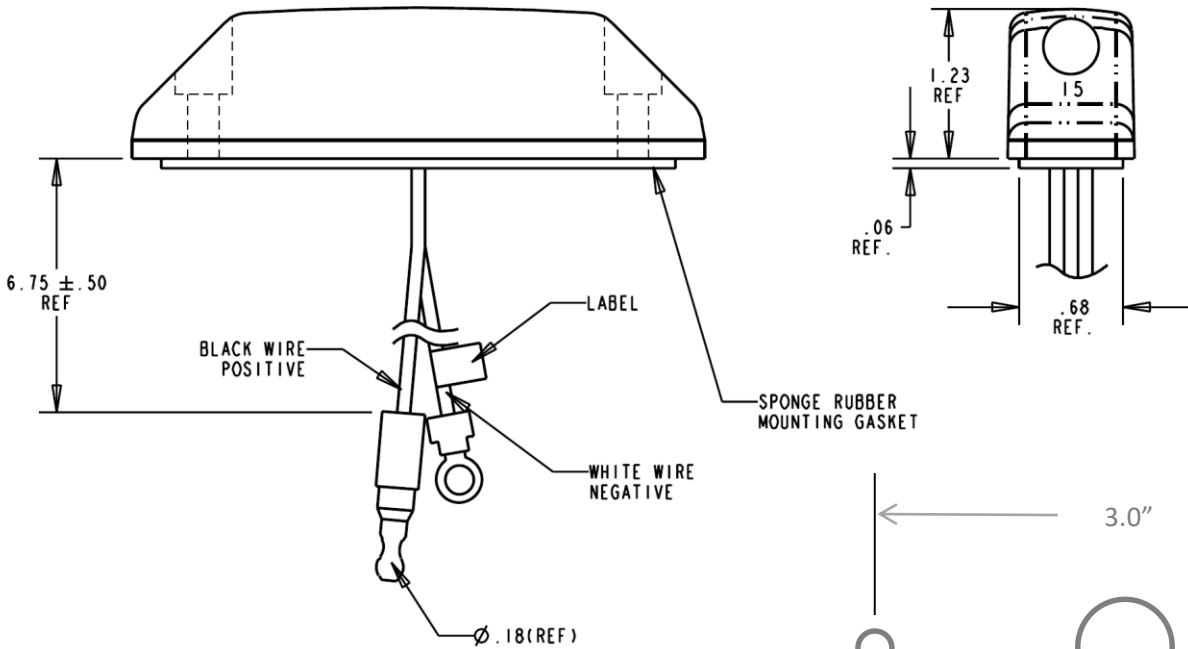
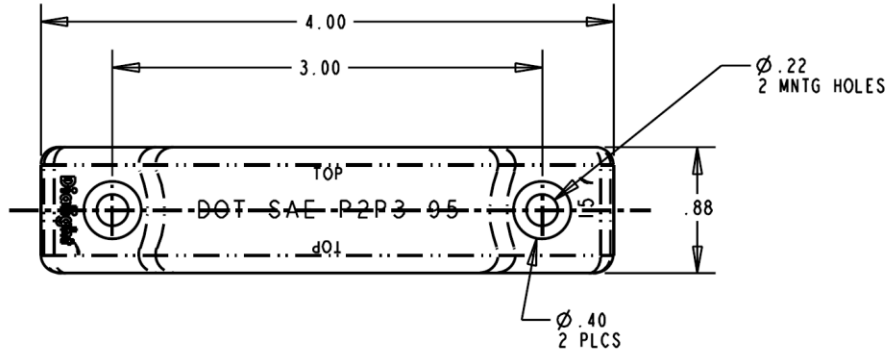
Construction

Lens Material	Polycarbonate
Sealing	Potted design
Gasket Material	Closed cell foam
Connector*	.180 bullet terminal (positive) #10 Ring terminal (negative)

Photometric

FMVSS 108	Clearance / Marker Light
Mounting Limits	Horizontal mount Amber $\pm 10^\circ$ slope Red $\pm 20^\circ$ slope

* Consult Dialight for alternate connector options



Part Number	Color	Voltage
15001AB	Amber	12 VDC
15001RB	Red	12 VDC
15003AB	Amber	24 VDC
15003RB	Red	24 VDC