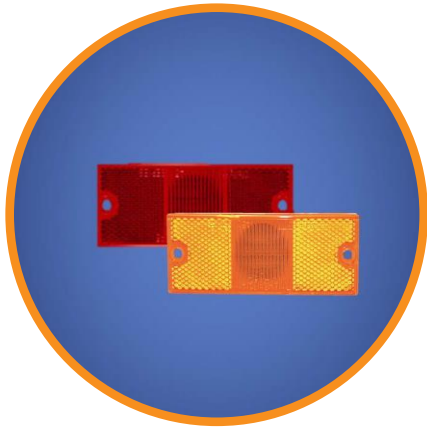




On when
it counts.



Application

- LED Marker Light
- LED Clearance Light

Certifications & Ratings

- FMVSS 108

Features & Benefits

- Integral wiring
- Low profile
- Integral reflector
- Reverse polarity protected
- Maintenance saving

Mechanical Information

Mounting Hole Size 1.84" (46.7 mm)

Mounting Torque 12 – 14 in-lbs.

Electrical Specification

Nominal Voltage 12 VDC and 24 VDC

Typical Current 12 VDC – 55 mA @ 13.5 VDC
24 VDC – 30 mA @ 27 VDC

Construction

Lens Material Hard coated polycarbonate

Housing material Polycarbonate

Sealing Method Vibration Welded

Gasket Material Closed cell foam

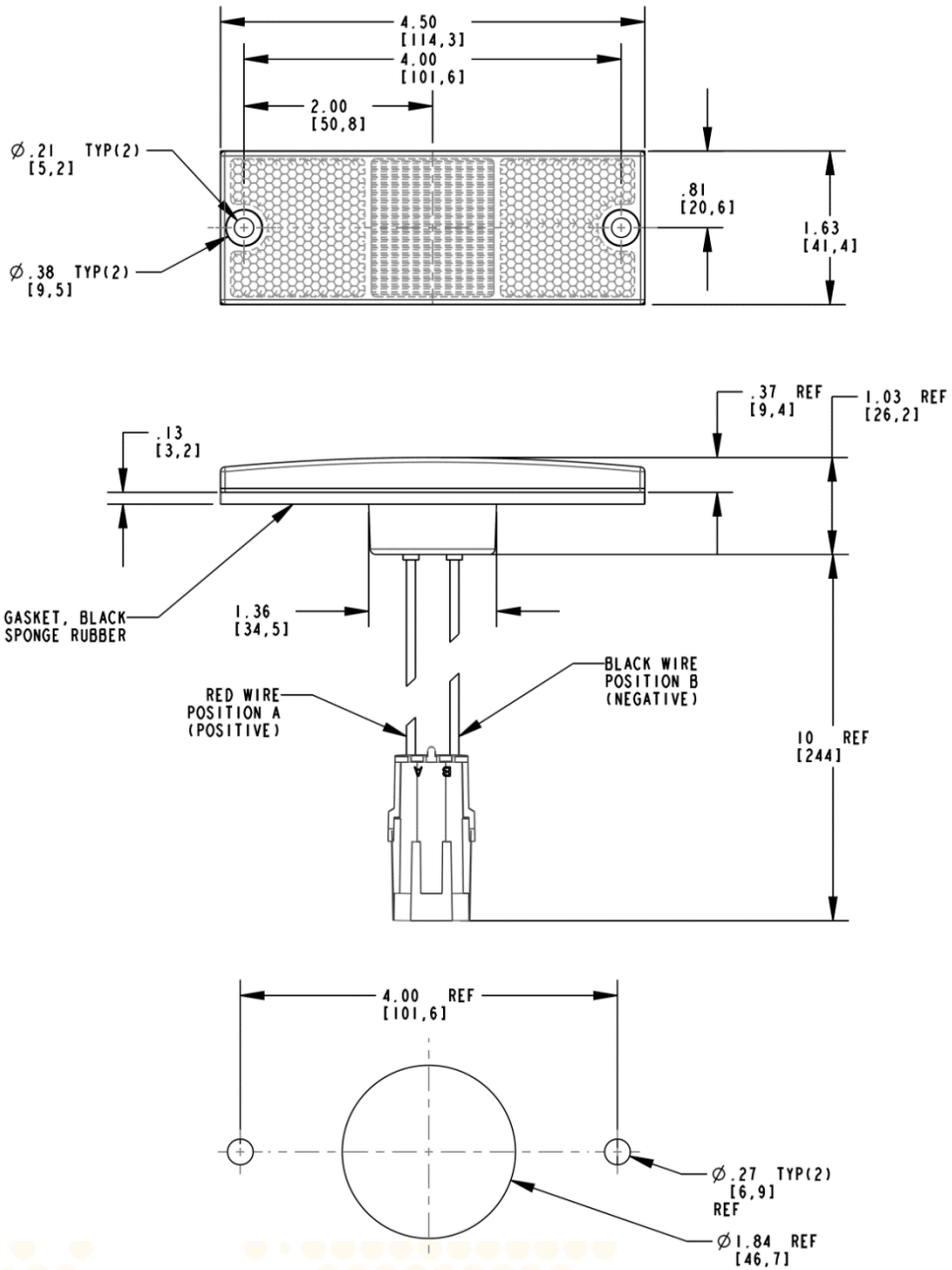
Connector* Delphi 1201-0973
+ to position A – to position B

Photometric

FMVSS 108 Clearance / Marker Light

Mounting Limits Horizontal mount
Amber $\pm 5^\circ$ slope
Red $\pm 10^\circ$ slope

* Consult Dialight for alternate connector options



Part Number	Color	Voltage
45001AB	Amber	12 VDC
45001RB	Red	12 VDC
45003AB	Amber	24 VDC
45003RB	Red	24 VDC