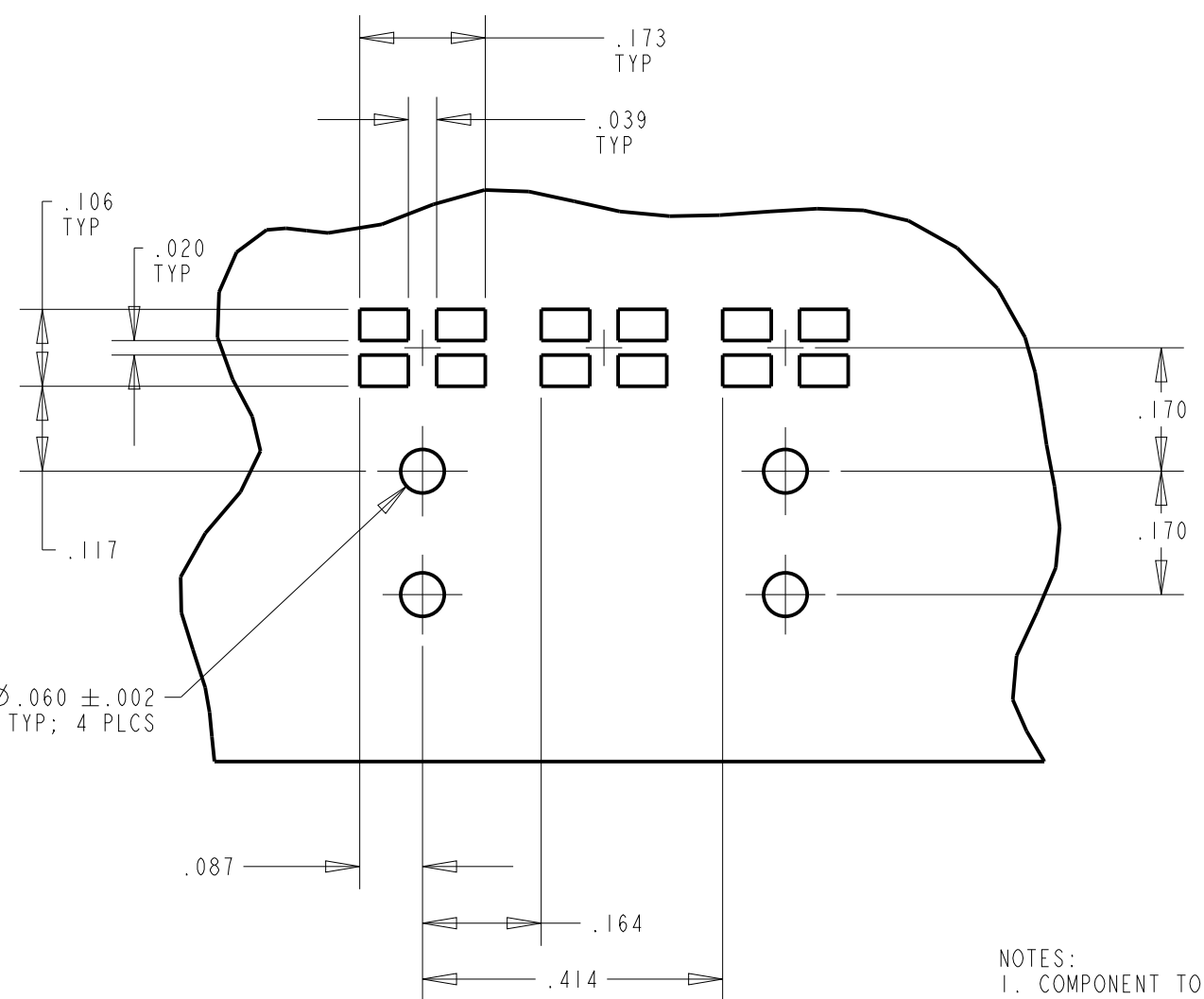
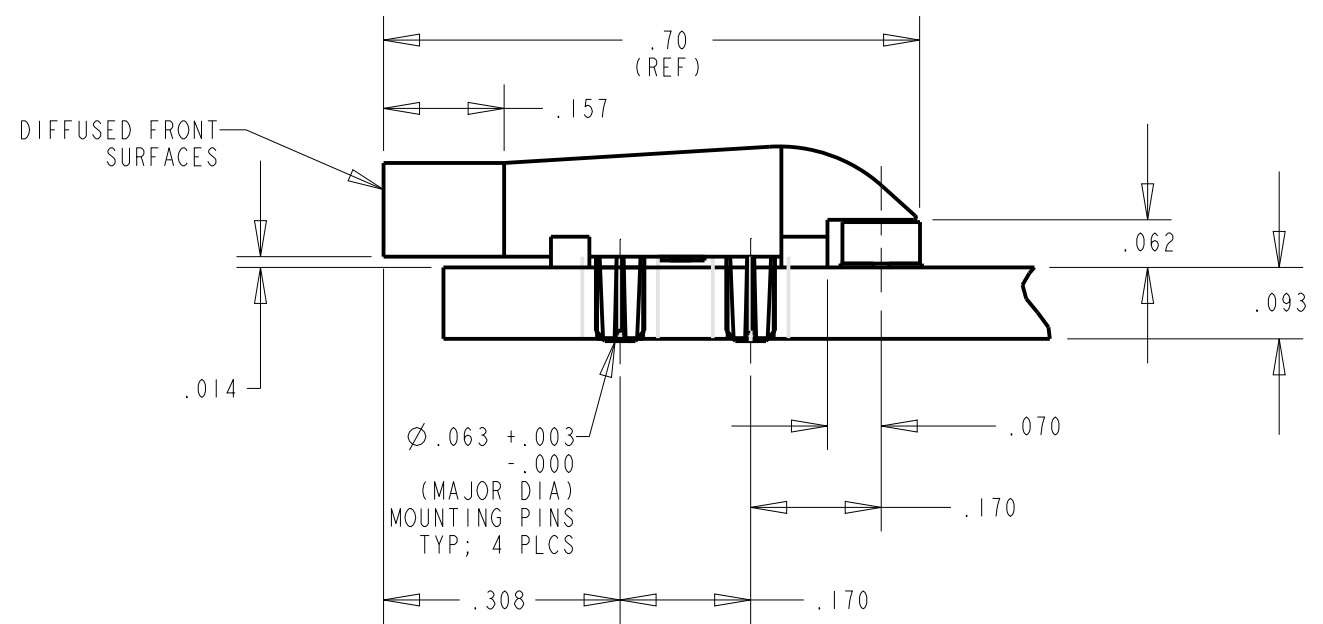
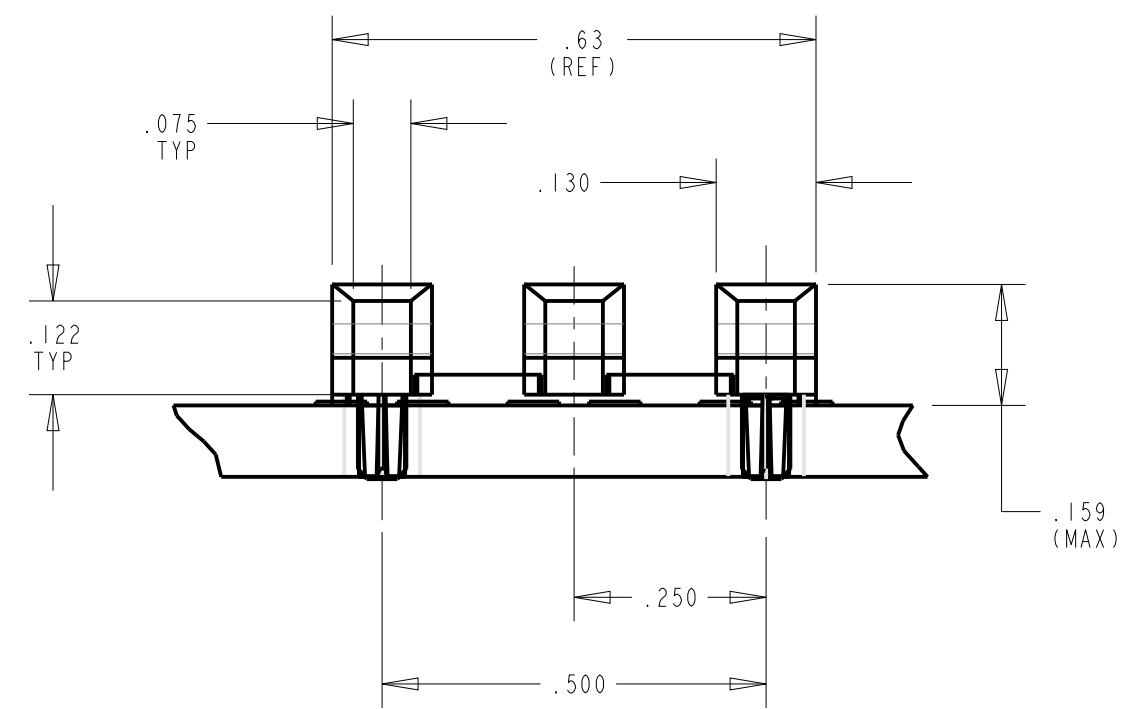
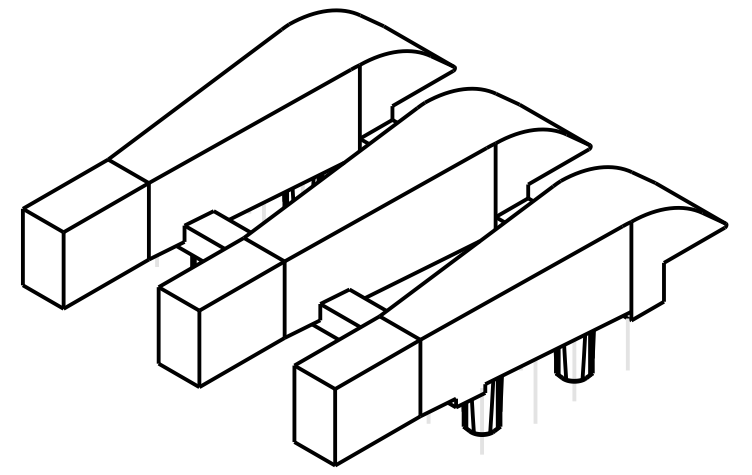


REV	ECN NO	REVISIONS	DRN	CKD	APP	QA	CM	DATE
A	—	NEW RELEASE	MC	—	—	—	—	—
B	—	ADDED TOLERANCE ON PIN DIAM. .063. ADDED F SUFFIX TO DIALIGHT P/N(NOTE 4).	BP	—	NO	—	—	10-12-16



SOLDER PAD/HOLES LAYOUT



- NOTES:
1. COMPONENT TO BE MOLDED IN A CLEAR TRANSMISSIVE POLYCARBONATE.
 2. COMPONENT DESIGNED TO BE PRESSED INTO A .093" THICK P.C. BOARD.
 3. LIGHTSOURCES: SINGLE OR BICOLOR SMT LED (DIALIGHT PART NUMBERS: 597-XXXX-507).
 4. DIALIGHT LIGHTPIPE PART NUMBER: 515-1106F.

THIS DRAWING AND THE CONTENTS HEREIN ARE CONFIDENTIAL AND THE SOLE PROPERTY OF DIALIGHT. REPRODUCTION OF THIS DRAWING OR CONSTRUCTION OF ANY PARTS WITHIN THIS DRAWING ARE FORBIDDEN WITHOUT THE WRITTEN CONSENT OF DIALIGHT.		
SCALE: 4:1000	DRAWING NUMBER	REV
ALL DIM'S IN: INCHES (MM)	C-16654	B
TOLERANCES: UNLESS OTHERWISE SPECIFIED	TITLE	
FRACTIONS: ±1/64	3-ELEMENT LIGHTPIPE	
DECIMALS (.XX): ±.02	MATERIAL	
DECIMALS (.XXX): ±.005	Dialight 1501 ROUTE 34 SOUTH FARMINGDALE, NJ 07727	
DECIMALS (.XXXX): ±.0005	FSCM 83330	
ANGLES: ±3°	SHEET 1 OF 1 FAMILY TABLE:	
FINISH:		