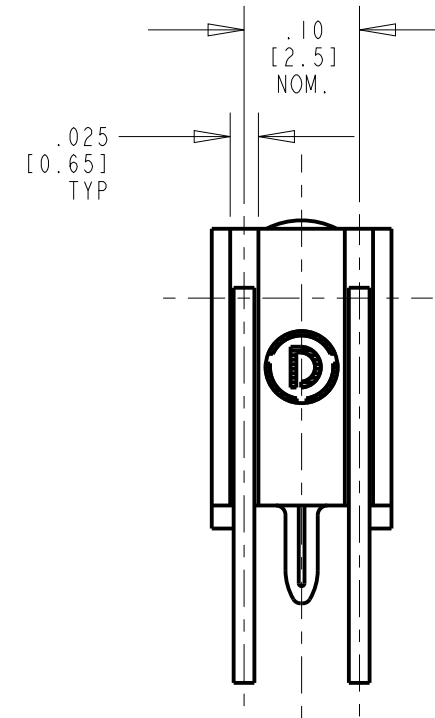
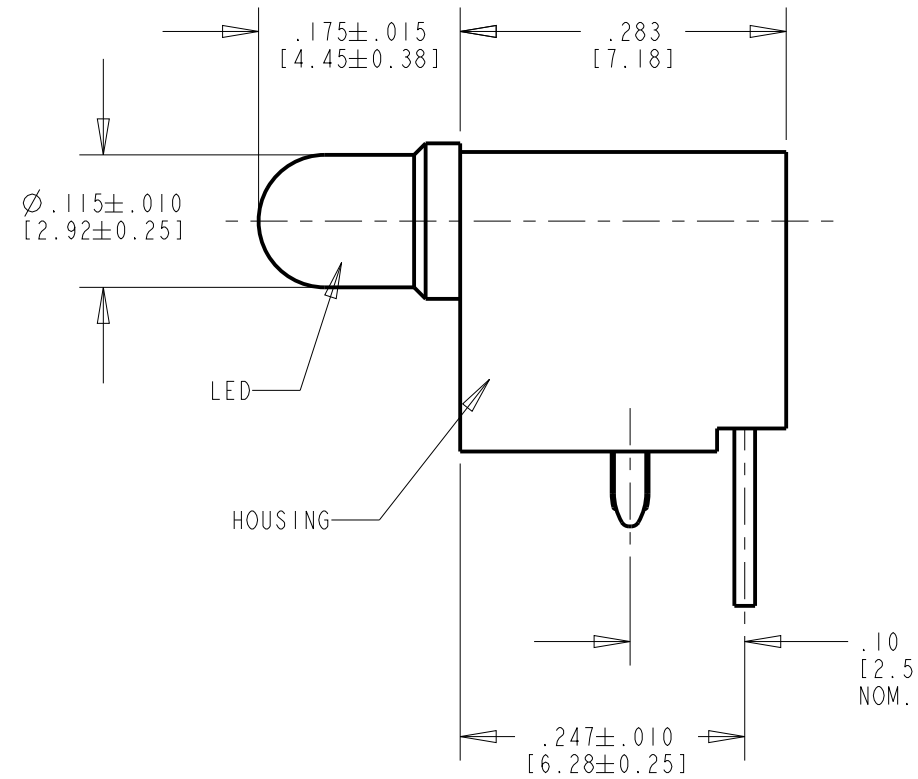
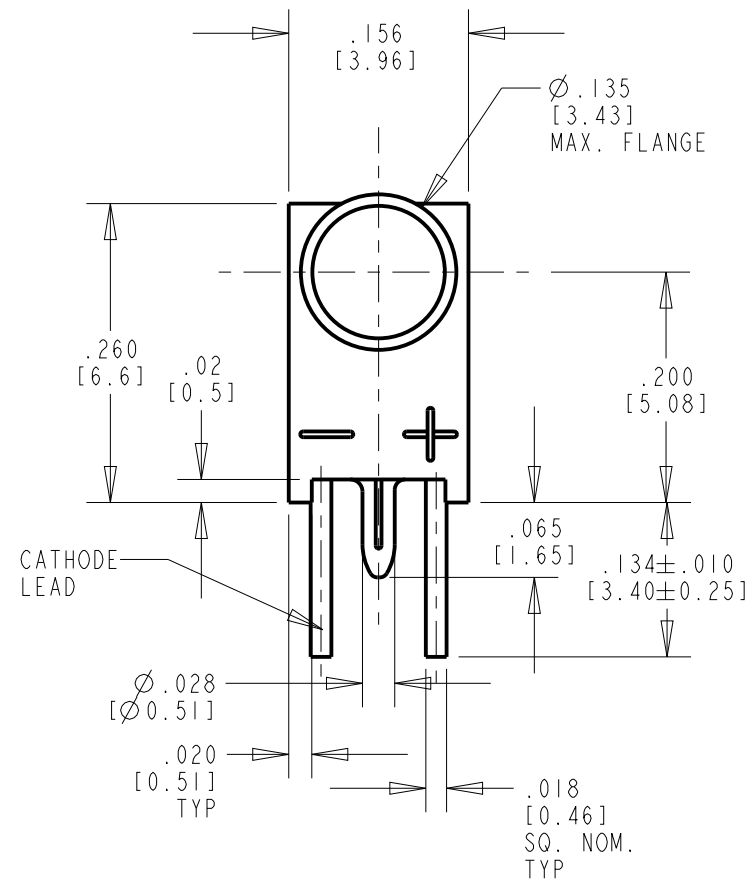


REV	ECN NO	REVISIONS	DRN	CKD	APP	DATE
A	—	NEW RELEASE	TWC	MES	NO	12-15-05
B	—	CORRECTED NOTE NUMBERS	TC	N.O.	MES	4-11-07
C	—	".10" WAS ".100" (2X), ".247 ±.010" WAS ".247", ".115 ±.015" WAS ".115", ".175 ±.010" WAS ".175", ".134 ±.010" WAS ".134".	KLJ	—	NO	3-18-08
D	—	UPDATED LED SPECS FOR BOTH P/N'S	BP	—	NO	3-9-17

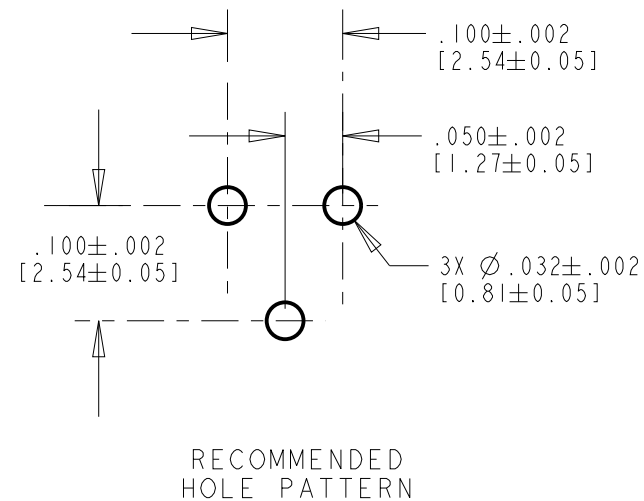


NOTES:

- LEADS TO FIT INTO HOLES SPACED AS PER HOLE PATTERN.
- LED LEAD SPACING DIMENSION IS MEASURED AT HOUSING EXIT.
- DIALIGHT PART NUMBER: 551-0211-803F, 551-0411-804F.

RoHS Compliant 551-0X11-80XF Thru hole CBI with Pin

Part Numbers with the "F" suffix ending are RoHS Compliant.  
 Example: 551-0211-803F  
 The bag packaging is marked with "RoHS Compliant" label or equivalent markings.  
 Parts can be wave soldered, dip soldered or hand soldered using typical lead-free soldering process with max 260°C temp. for 5 sec.



ABSOLUTE MAXIMUM RATINGS AT 25° C AMBIENT	551-0411-804F	551-0211-803F	UNITS
	RED	GREEN	
DC FORWARD CURRENT	30	30	mA
DERATE LINEARLY FROM 50° C	0.4	—	mA/°C
POWER DISSIPATION	100	—	mw
REVERSE VOLTAGE	5	5	V
SOLDERING TEMPERATURE .063/(1.60) FROM BODY	260 C FOR 5° SEC		°C
OPERATING TEMPERATURE	-55 TO +100	-20 TO +100	°C
STORAGE TEMPERATURE	-55 TO +100	-55 TO +100	°C

DIALIGHT P/N	TINTED, DIFFUSED LENS COLOR	PEAK EMISSION WAVELENGTH (nm)	DOMINANT WAVELENGTH (nm)	VIEWING ANGLE (°) 2 @ 1/2	LUMINOUS INTENSITY (mcd) @ I <sub>F</sub> = 10 mA; 25°C		FORWARD VOLTAGE (V) @ I <sub>F</sub> = 20 mA; 25°C		REVERSE CURRENT (μA); 25°C
					MIN.	TYP	TYP.	MAX.	MAX.
551-0411-804F	RED	635	623	60	2.5	8.7	2.0	2.6	100 @ V <sub>R</sub> = 5 V
551-0211-803F	GREEN	565	569	60	4.2	8.8	2.3	2.7	100 @ V <sub>R</sub> = 5 V

THIS DRAWING AND THE CONTENTS HEREIN ARE CONFIDENTIAL AND THE SOLE PROPERTY OF DIALIGHT CORP. REPRODUCTION OF THIS DRAWING OR CONSTRUCTION OF ANY PARTS WITHIN THIS DRAWING ARE FORBIDDEN WITHOUT THE WRITTEN CONSENT OF DIALIGHT CORP.

SCALE: DRAWING SCALE	DRAWING NUMBER	REV
ALL DIM'S: INCH (mm)	C-17337	D
TOLERANCES: UNLESS OTHERWISE SPECIFIED	TITLE 3 mm CBI, .200 $\phi$ , W/PIN, RoHS COMPLIANT	
FRACTIONS: $\pm 1/64$ DECIMALS (.XX): $\pm .01$ DECIMALS (.XXX): $\pm .005$ DECIMALS (.XXXX): $\pm .0005$ ANGLES: $\pm 1^\circ$	MATERIAL	
FINISH		
FSCM 83330	1501 ROUTE 34 SOUTH FARMINGDALE, NJ 07727 (732) 919-3119 www.dialight.com	
SHEET 1 OF 1	FAMILY TABLE:	